



US00D891365S

(12) **United States Design Patent**  
**Yang et al.**

(10) **Patent No.:** **US D891,365 S**  
(45) **Date of Patent:** **\*\* Jul. 28, 2020**

(54) **CHARGER**

(71) Applicant: **Ningbo Gude Electronic Technology Co., Ltd**, Zhejiang Province (CN)

(72) Inventors: **Zhaolin Yang**, Zhejiang Province (CN); **Jianrong Zhou**, Zhejiang Province (CN); **Jun Wang**, Zhejiang Province (CN); **Shilin Wang**, Zhejiang Province (CN); **Weijun Pan**, Zhejiang Province (CN)

(\*\*) Term: **15 Years**

(21) Appl. No.: **29/630,194**

(22) Filed: **Dec. 20, 2017**

(51) **LOC (12) Cl.** ..... **13-02**

(52) **U.S. Cl.**  
USPC ..... **D13/107**

(58) **Field of Classification Search**  
USPC ..... D13/107-110, 118-119, 184; D14/251, D14/253, 432, 434

CPC ..... Y02E 60/12; Y02T 90/14; Y02T 90/122; Y02T 90/128; Y02T 90/163; H02J 7/025; H02J 7/0042; H02J 7/0044; H02J 7/0045; H02J 7/0003; H02J 2001/008; H02J 3/32; H02J 3/008; H02J 7/0027; H02J 7/0013; H02J 7/0054; H02J 7/00; H01F 38/14; H01R 13/6675; H01M 2/1022; H01M 2/1055; H01M 10/44; H01M 10/46; H01M 10/425; B60L 11/182; B60L 11/1809; B60L 11/1861; B60R 16/03  
See application file for complete search history.

(56) **References Cited**

**U.S. PATENT DOCUMENTS**

D518,769 S \* 4/2006 Kurth ..... D13/107  
D538,739 S \* 3/2007 Zheng ..... D13/107

D580,853 S \* 11/2008 Ahlgren ..... D13/107  
D581,867 S \* 12/2008 Crawford ..... D13/103  
D640,192 S \* 6/2011 Robinson ..... D13/103  
D684,116 S \* 6/2013 Inskeep ..... D13/107  
D733,646 S \* 7/2015 Spillere ..... D13/107  
D762,165 S \* 7/2016 Rowe ..... D13/103  
D764,403 S \* 8/2016 Azuma ..... D13/103  
D780,686 S \* 3/2017 Glasow ..... D13/103  
D781,783 S \* 3/2017 Inskeep ..... D13/107  
D813,156 S \* 3/2018 Inskeep ..... D13/107  
D823,789 S \* 7/2018 Yang ..... D13/107  
D825,457 S \* 8/2018 Yang ..... D13/107  
D833,386 S \* 11/2018 Tschopp ..... D13/107  
D837,149 S \* 1/2019 Yin ..... D13/108  
D842,802 S \* 3/2019 Oliver ..... D13/107  
D848,364 S \* 5/2019 Tang ..... D13/103

\* cited by examiner

*Primary Examiner* — Rosemary K Tarcza

*Assistant Examiner* — Nathaniel D. Buckner

(74) *Attorney, Agent, or Firm* — Prakash Nama; Global IP Services, PLLC

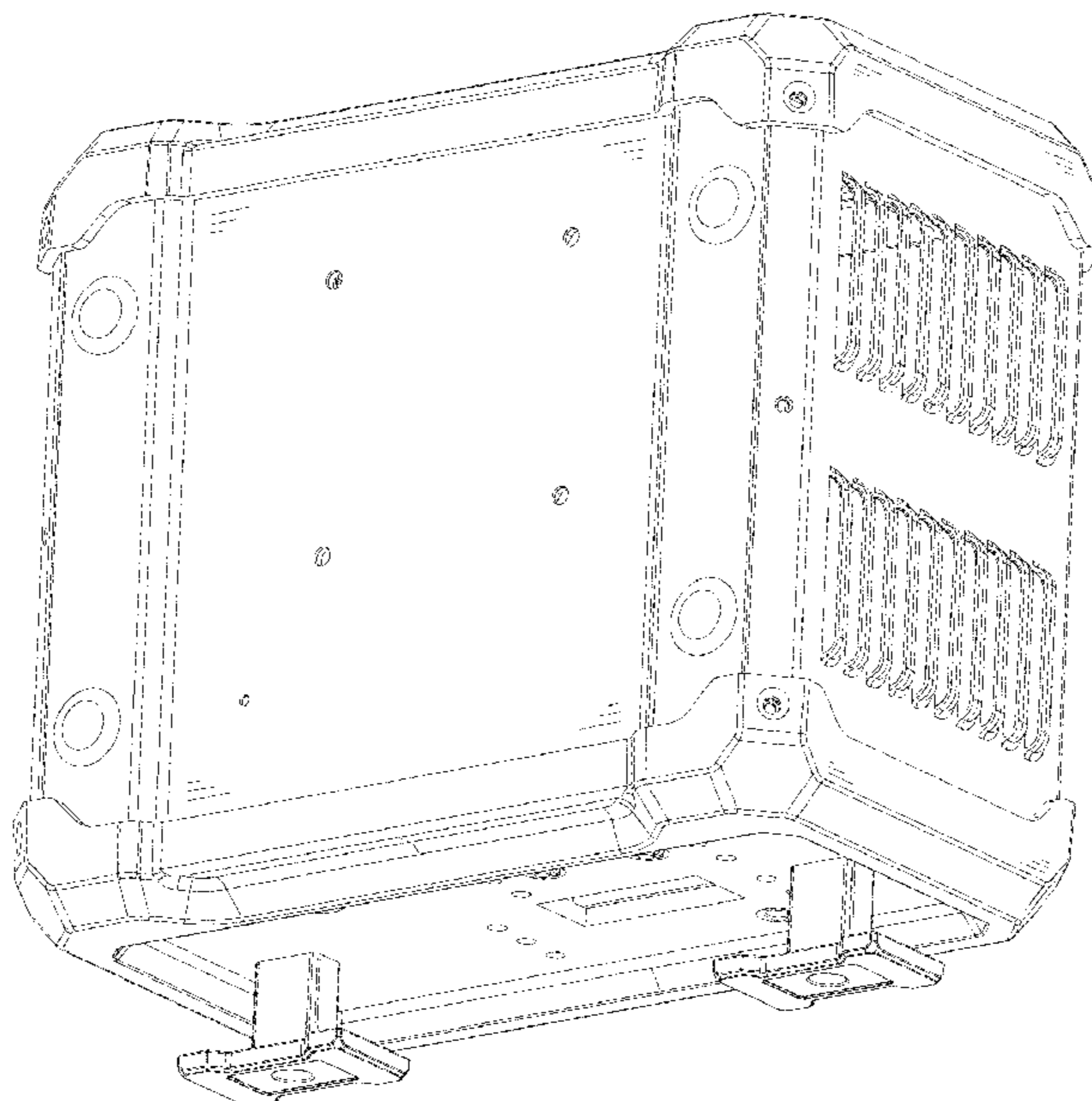
(57) **CLAIM**

The ornamental design for a charger, as shown and described.

**DESCRIPTION**

FIG. 1 is a front elevational view of a charger showing our new design;  
FIG. 2 is a rear elevational view thereof;  
FIG. 3 is a left side view thereof;  
FIG. 4 is a right side view thereof;  
FIG. 5 is a top plan view thereof;  
FIG. 6 is a bottom plan view thereof;  
FIG. 7 is a perspective view thereof; and,  
FIG. 8 is another perspective view thereof.  
The broken lines in the figures depict portions of the charger which form no part of the claimed design.

**1 Claim, 8 Drawing Sheets**



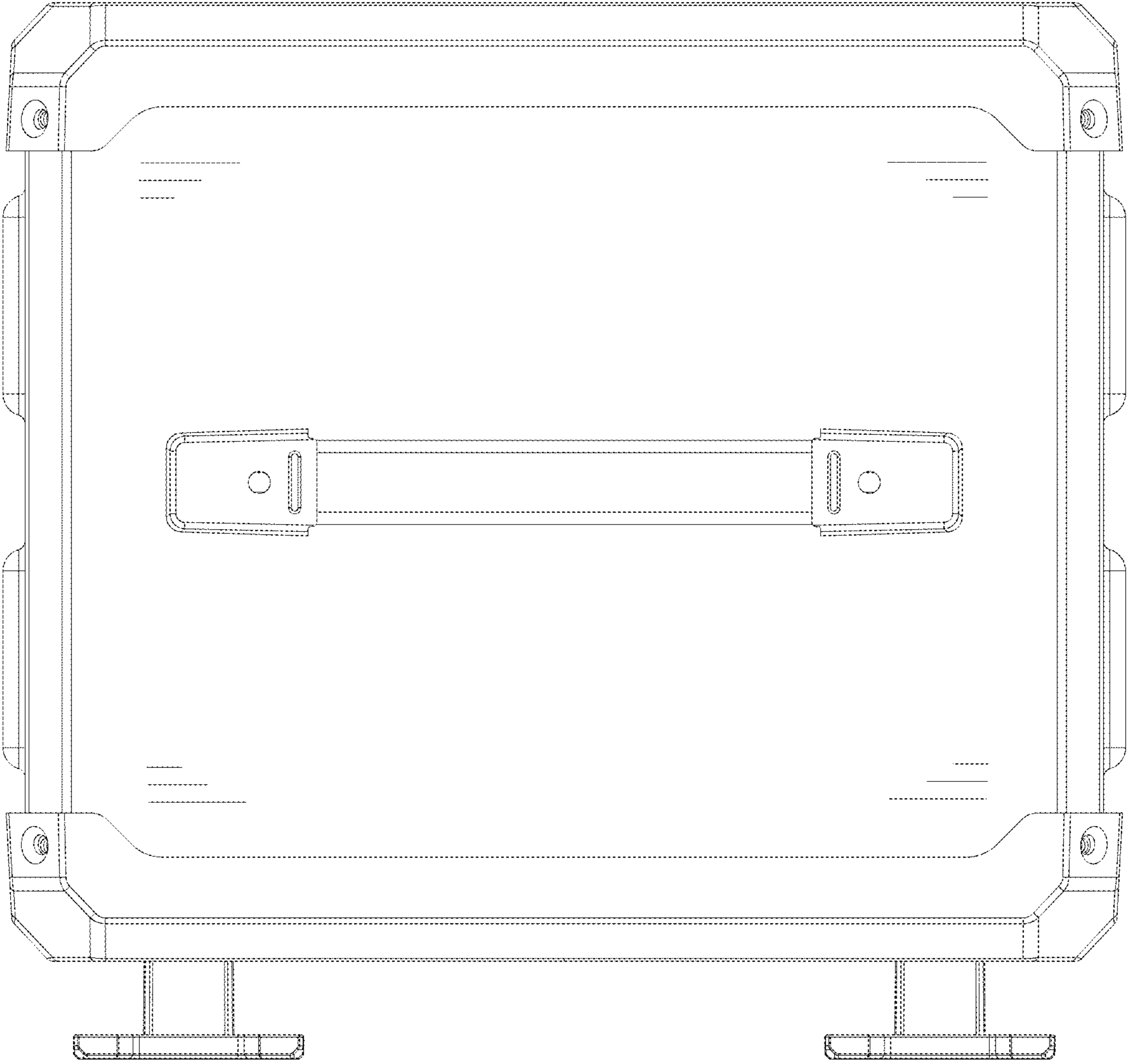


Fig. 1

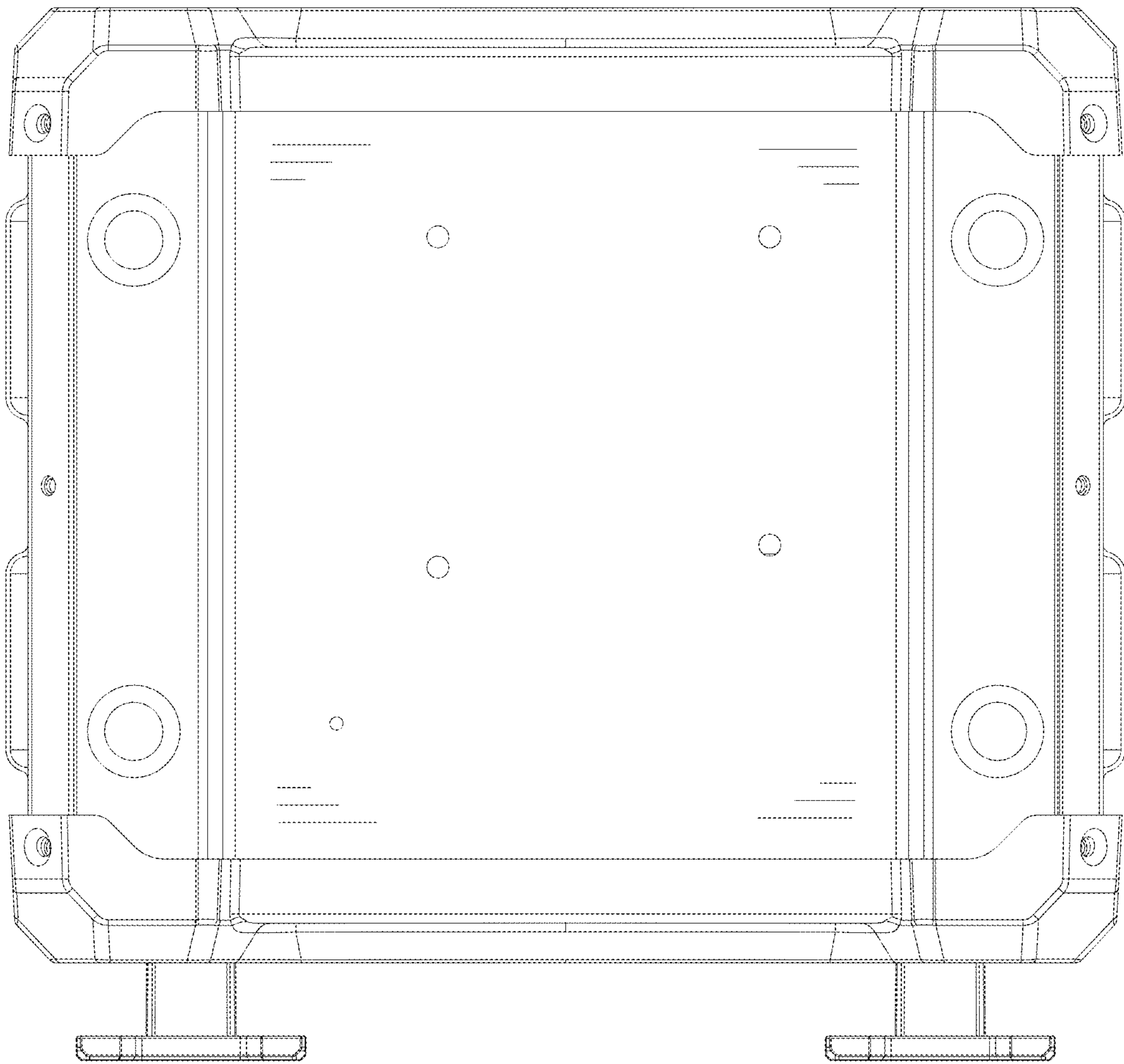


Fig. 2

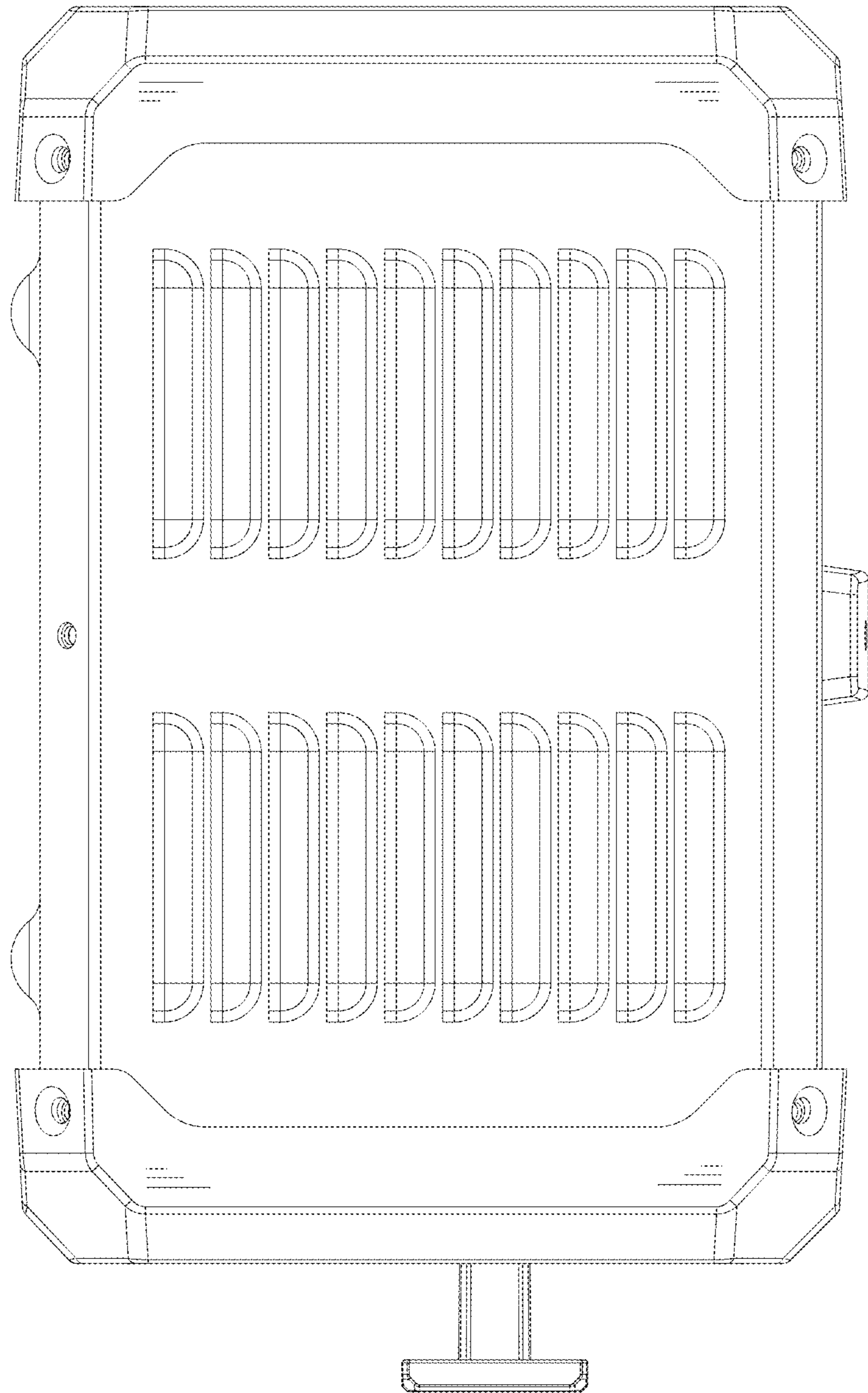


Fig. 3

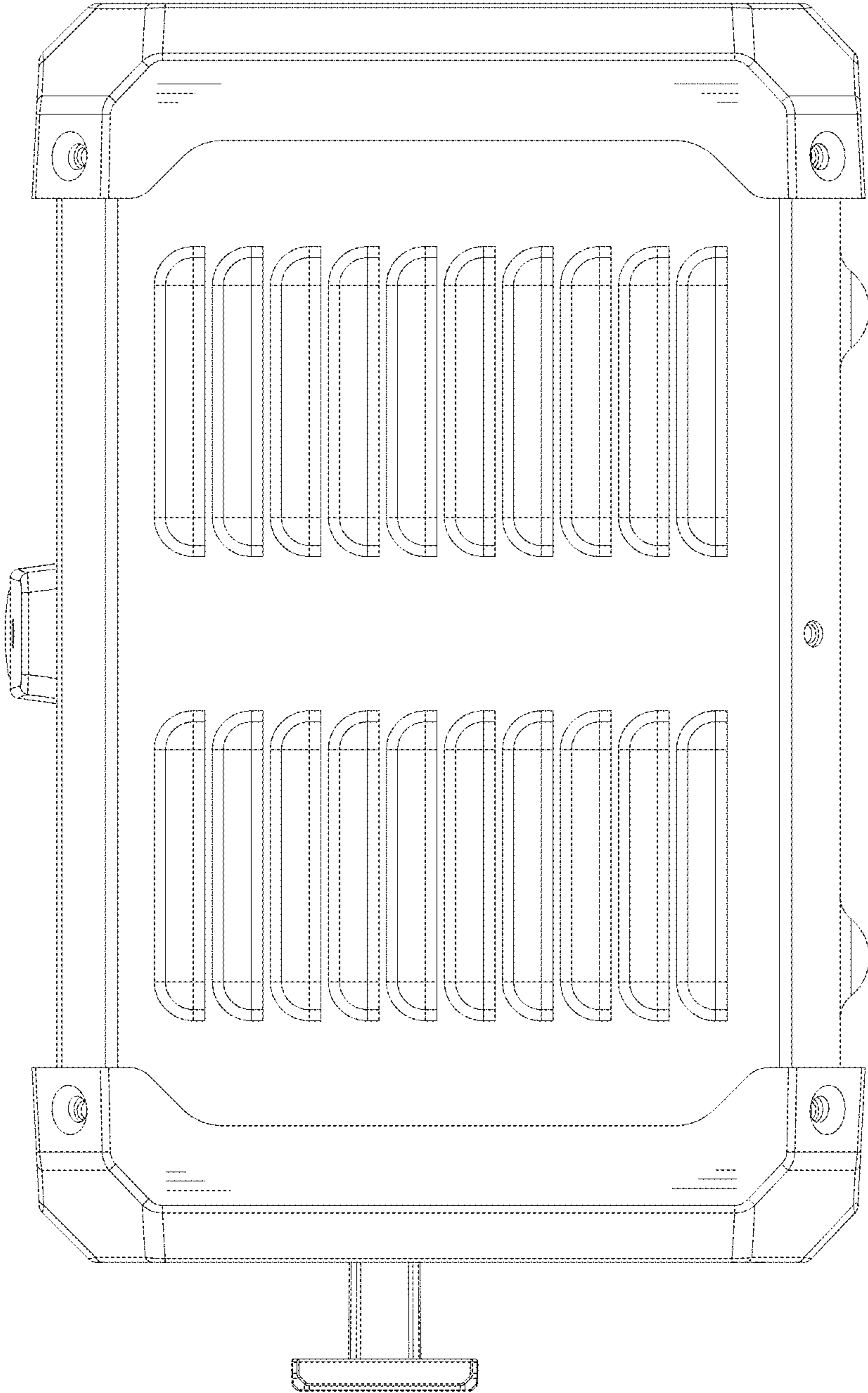


Fig. 4

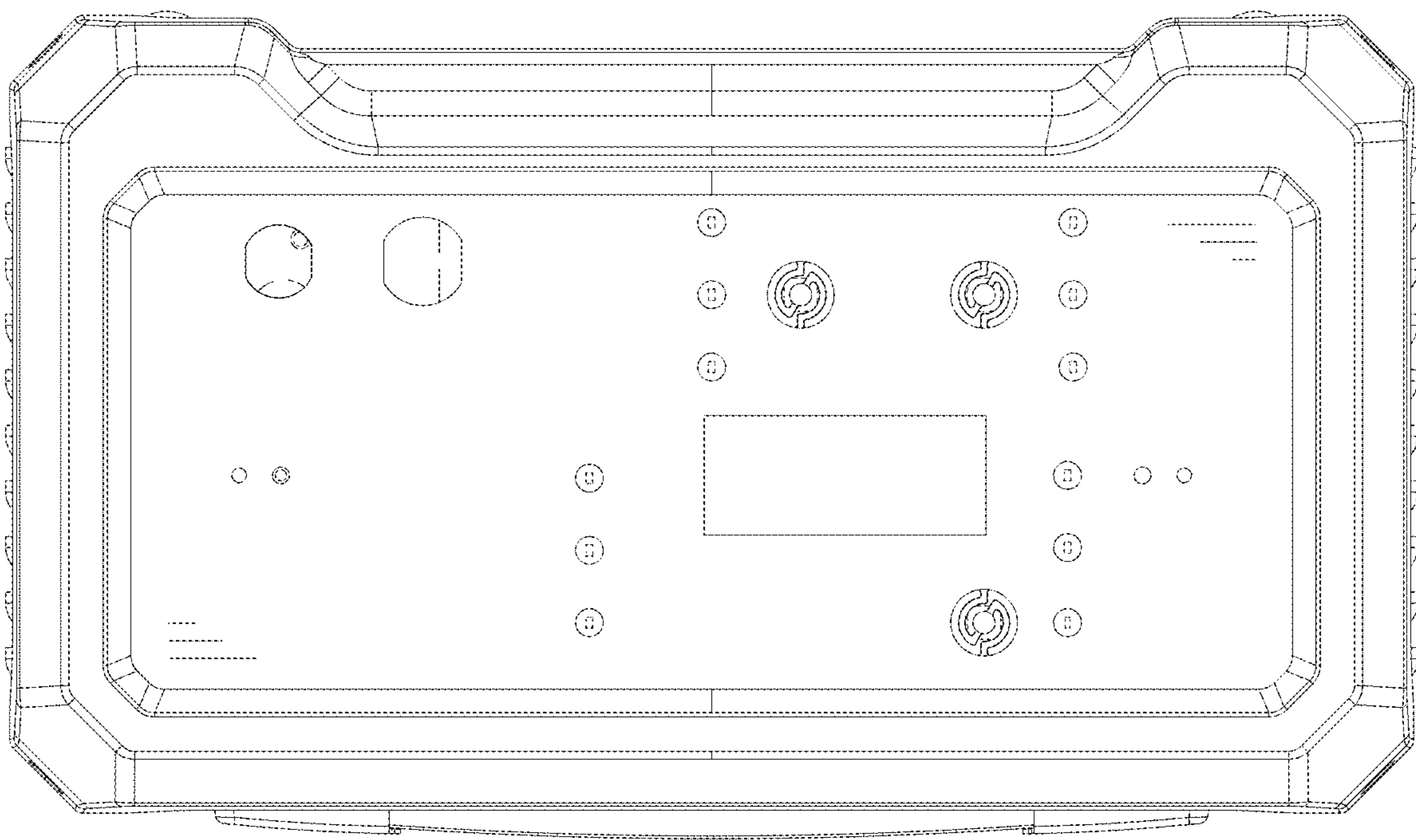


Fig. 5

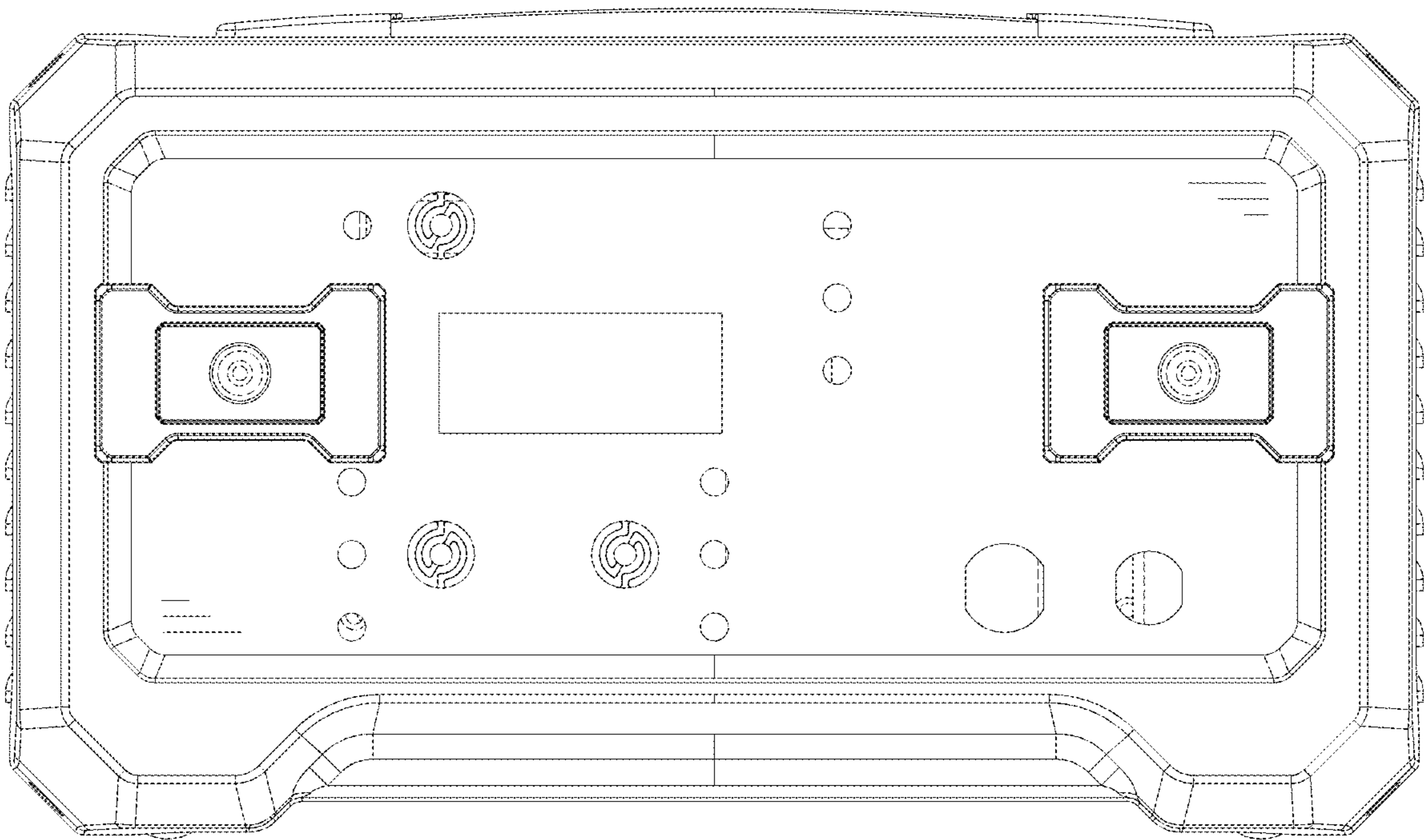


Fig. 6



Fig. 7



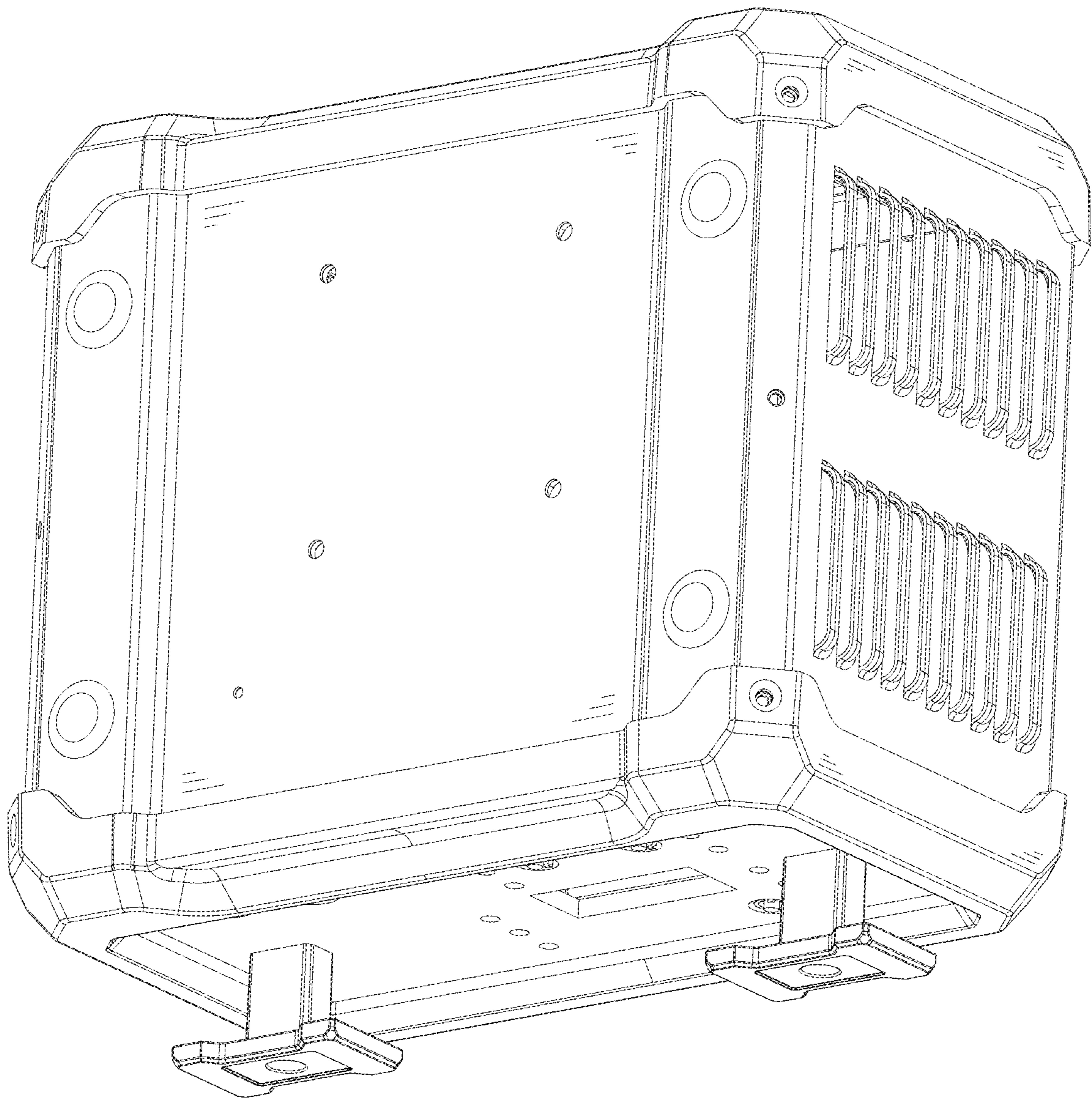


Fig. 8