



US00D891364S

(12) **United States Design Patent**
Gilpatrick et al.

(10) **Patent No.:** **US D891,364 S**
(45) **Date of Patent:** **** Jul. 28, 2020**

(54) **BATTERY**

90/128; Y02T 90/163; H02J 7/025; H02J
7/0042; H02J 7/0044;

(71) Applicant: **Briggs & Stratton Corporation,**
Wauwatosa, WI (US)

(Continued)

(72) Inventors: **Richard Gilpatrick,** Whitewater, WI
(US); **Ryan Thomas Hahn,**
Wauwatosa, WI (US); **Stephen James**
Ryczek, Wauwatosa, WI (US); **Steven**
John Weber, Wauwatosa, WI (US)

(56) **References Cited**

U.S. PATENT DOCUMENTS

2,457,023 A 12/1948 Zelt
D258,818 S 4/1981 Johnson et al.

(Continued)

(73) Assignee: **Briggs & Stratton Corporation,**
Wauwatosa, WI (US)

Primary Examiner — Nathaniel D. Buckner

(74) *Attorney, Agent, or Firm* — Foley & Lardner LLP

(**) Term: **15 Years**

(57) **CLAIM**

We claim the ornamental design for a battery, as shown and
described.

(21) Appl. No.: **29/675,596**

(22) Filed: **Jan. 3, 2019**

DESCRIPTION

Related U.S. Application Data

(60) Division of application No. 29/576,688, filed on Sep.
6, 2016, now Pat. No. Des. 841,572, which is a
(Continued)

(51) **LOC (12) Cl.** **13-02**

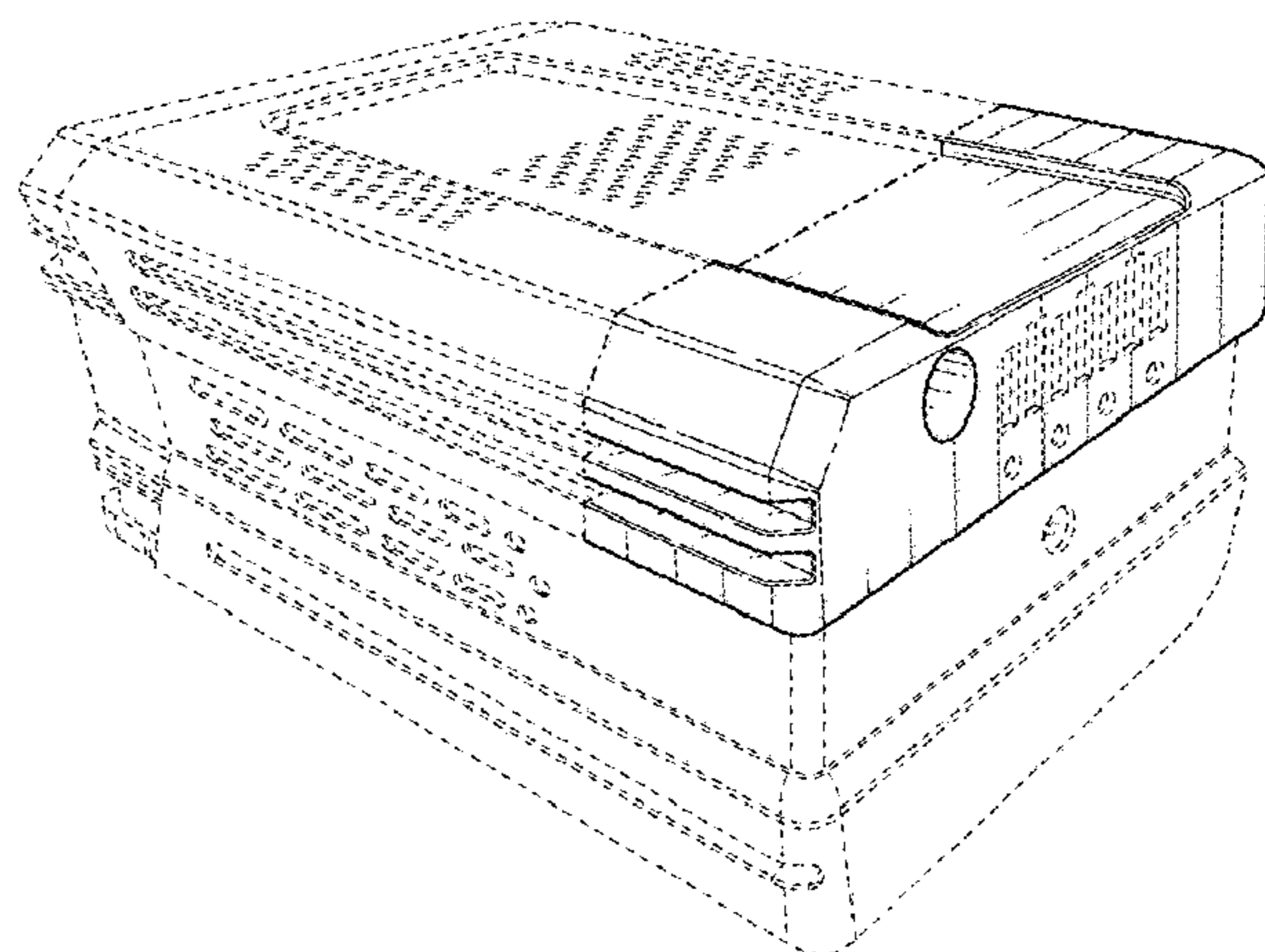
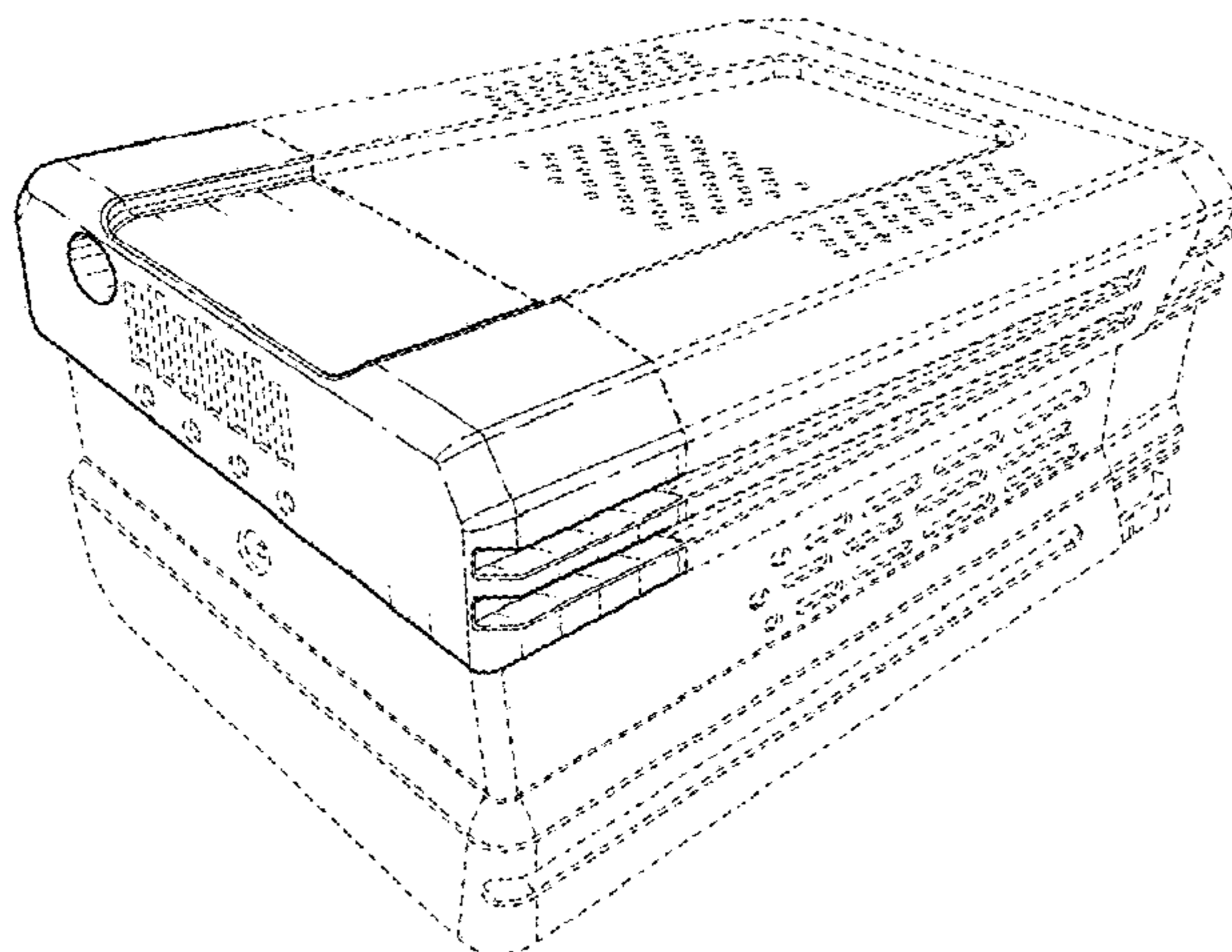
(52) **U.S. Cl.**
USPC **D13/103**

(58) **Field of Classification Search**

USPC D13/102–110, 118–119, 184; D14/251,
D14/253, 432, 434
CPC Y02E 60/12; Y02E 60/122; Y02E 60/124;
Y02E 60/50; H01M 2/02; H01M 2/022;
H01M 2/0202; H01M 2/0207; H01M
2/0212; H01M 2/1061; H01M 2/1022;
H01M 2/1055; H01M 2/1066; H01M
2/105; H01M 2/204; H01M 2/1016;
H01M 2200/00; H01M 10/4257; H01M
10/0436; H01M 10/48; H01M 10/42;
H01M 10/44; H01M 10/46; H01M
10/425; Y02T 90/14; Y02T 90/122; Y02T

FIG. 1 is a front-left perspective view from above of a
battery according to the claimed design;
FIG. 2 is a front-right perspective view from above of the
claimed design of FIG. 1;
FIG. 3 is a rear-right perspective view from below of the
claimed design of FIG. 1;
FIG. 4 is a rear-left perspective view from below of the
claimed design of FIG. 1;
FIG. 5 is a front view of the claimed design of FIG. 1;
FIG. 6 is a rear view of the claimed design of FIG. 1;
FIG. 7 is a left side view of the claimed design of FIG. 1;
FIG. 8 is a right side view of the claimed design of FIG. 1;
FIG. 9 is a top view of the claimed design of FIG. 1; and,
FIG. 10 is a bottom view of the claimed design of FIG. 1.
Any portion of the article depicted in broken lines forms no
part of the claimed design. Broken lines formed by equal
length dashes show unclaimed portions of the design. Broken
lines formed of unequal length dashes (i.e., dash-dot)
show boundaries between claimed and unclaimed portions
of the design.

1 Claim, 5 Drawing Sheets



Related U.S. Application Data

continuation-in-part of application No. 29/557,388,
filed on Mar. 8, 2016, now abandoned.

- (58) **Field of Classification Search**
CPC H02J 7/0045; H02J 7/0003; H01F 38/14;
H01R 13/6675; B60L 11/182
See application file for complete search history.

- (56) **References Cited**

U.S. PATENT DOCUMENTS

D265,899 S 8/1982 House, II
D265,985 S 8/1982 House, II
D299,640 S 1/1989 Price
D300,920 S 5/1989 Gierke
D301,228 S 5/1989 Culbertson et al.
D302,971 S 8/1989 Gierke
D303,205 S 9/1989 Gierke et al.
D304,543 S 11/1989 Somers et al.
D316,216 S 4/1991 Gierke et al.
D320,379 S 10/1991 Culbertson
D332,443 S * 1/1993 Sharpe D13/184
D346,584 S 5/1994 Taniguchi
D347,822 S 6/1994 Tong
D353,130 S 12/1994 Aldrich et al.
5,510,205 A 4/1996 Ozer
D376,579 S 12/1996 Bunyea et al.
D391,943 S 3/1998 Han
D400,499 S 11/1998 Bunyea
D401,901 S 12/1998 Bunyea et al.
D409,976 S 5/1999 Buck
D415,100 S 10/1999 Buck
D418,811 S 1/2000 Bunyea et al.
D425,476 S * 5/2000 Campbell D13/103
D432,077 S 10/2000 Zurwelle et al.
D432,982 S 10/2000 Miyashita
D433,994 S 11/2000 Jobs et al.
D437,580 S 2/2001 Marshall et al.
D438,170 S 2/2001 Hofbauer
D439,217 S 3/2001 Melnicoff
D439,561 S 3/2001 Lee, IV et al.
D439,877 S * 4/2001 Vacheron D13/103
D456,002 S 4/2002 Kato et al.
D456,807 S 5/2002 Floyd
D460,412 S 7/2002 Nawrozki
D460,413 S 7/2002 Zurwelle et al.
D461,447 S 8/2002 Nawrozki
D463,359 S 9/2002 Nawrozki
D463,774 S 10/2002 Buck
D466,863 S 12/2002 Zurwelle et al.
6,521,370 B1 2/2003 Takeshita et al.
D475,679 S 6/2003 Cooper et al.
D477,811 S 7/2003 Niwa et al.
D480,376 S 10/2003 Ma
D480,682 S * 10/2003 Kawase D13/103
D481,672 S 11/2003 Niwa et al.
D484,850 S 1/2004 Johnson
D486,789 S 2/2004 Santiago
D487,059 S 2/2004 Glasgow et al.
D487,426 S 3/2004 Johnson
D488,438 S 4/2004 Zick et al.
D491,130 S 6/2004 Welbes
D491,137 S * 6/2004 Suzuki D13/103
D496,038 S 9/2004 Floyd
D501,823 S 2/2005 Johnson et al.
D503,376 S * 3/2005 Suzuki D13/103
D503,673 S 4/2005 Rosengrant
D503,922 S 4/2005 Shimizu
D504,395 S 4/2005 Zeiler et al.
D506,725 S 7/2005 Watson
D507,235 S 7/2005 Rozwadowski et al.
D509,189 S 9/2005 Buck
D511,744 S 11/2005 Hsu et al.
D512,373 S 12/2005 Tsai et al.
D513,730 S 1/2006 Johnson
D515,027 S 2/2006 Groh et al.

D516,503 S * 3/2006 Takeshita D13/103
D516,504 S 3/2006 Okuda et al.
D519,918 S 5/2006 Wilson et al.
D519,920 S 5/2006 Zick et al.
D522,451 S 6/2006 Hayes et al.
D523,807 S 6/2006 Murayama et al.
D522,964 S 7/2006 Watson
D524,243 S 7/2006 Lee
D524,728 S 7/2006 Watson
D526,613 S 8/2006 Zeiler et al.
D529,439 S 10/2006 Glasgow et al.
D534,122 S 12/2006 Buck
D535,250 S 1/2007 Watson
D535,253 S 1/2007 Buck
D537,409 S 2/2007 Suzuki
D538,613 S 3/2007 Murray
D539,221 S 3/2007 Johnson et al.
D545,759 S 7/2007 Ino et al.
D545,760 S 7/2007 Concari et al.
7,238,443 B2 7/2007 Sakakibara
D549,169 S 8/2007 Watson
D550,152 S 9/2007 Okuda et al.
D550,613 S * 9/2007 Hamasaki D13/103
D550,614 S 9/2007 Fee et al.
D555,084 S 11/2007 Sharma et al.
D555,086 S 11/2007 Zhang
D556,677 S 12/2007 Watson
D556,680 S 12/2007 Matsumoto
D558,670 S 1/2008 Ritterling et al.
D559,175 S 1/2008 Houghton
D562,226 S 2/2008 Uehlein-Proctor et al.
D562,227 S 2/2008 Yamada et al.
D562,230 S 2/2008 Houghton
D564,444 S 3/2008 Johnson et al.
D568,244 S * 5/2008 Suzuki D13/119
D571,719 S * 6/2008 Lee D13/103
D580,351 S 11/2008 Elsmark et al.
D581,927 S 12/2008 Sumii
RE40,681 E 3/2009 Pitzet et al.
D588,535 S 3/2009 Krieger et al.
D588,985 S 3/2009 O'Hern
D589,439 S 3/2009 Van Wambeke
D589,440 S 3/2009 Van Wambeke
D589,441 S 3/2009 Van Wambeke
D590,391 S 4/2009 Sumii
D594,403 S 6/2009 Yang
D594,405 S 6/2009 Murray et al.
D597,931 S 8/2009 Aglassinger
D597,932 S 8/2009 Aglassinger
D597,933 S 8/2009 Aglassinger
D597,934 S 8/2009 Aglassinger
D598,018 S 8/2009 Sumii
D600,694 S 9/2009 Sumii
D601,088 S 9/2009 Scheucher
D604,695 S 11/2009 Aglassinger
D605,111 S 12/2009 Schoch
D606,492 S 12/2009 Steinfels
D606,935 S 12/2009 Murayama et al.
D609,636 S 2/2010 Jensen
D610,082 S 2/2010 Sweeney
D610,085 S 2/2010 Sweeney
D610,537 S 2/2010 Sweeney
D614,125 S 4/2010 Tinius
D615,557 S 5/2010 Mayer et al.
D619,620 S 7/2010 Mayer et al.
D620,772 S 8/2010 Crawley
D622,661 S 8/2010 Yamada et al.
D633,036 S 2/2011 Murray
D633,037 S 2/2011 Tschopp
D633,442 S 3/2011 Charleux
D640,196 S 6/2011 Shuang et al.
D640,197 S 6/2011 Park et al.
D640,628 S 6/2011 Lopano et al.
D640,975 S 7/2011 Okuda et al.
D642,119 S 7/2011 Baetica et al.
D643,365 S 8/2011 Shaper
D643,809 S 8/2011 Okuda et al.
D645,818 S 9/2011 Guccione et al.
D647,050 S 10/2011 Tu

(56)

References Cited

U.S. PATENT DOCUMENTS

D652,793 S 1/2012 Tschopp
 D654,850 S 2/2012 Obata
 D656,096 S 3/2012 Sasada et al.
 8,138,942 B2 3/2012 Otsuka et al.
 D657,307 S 4/2012 Zhao
 D658,578 S 5/2012 Davis
 D659,093 S 5/2012 Schmid et al.
 D660,788 S 5/2012 Ziring et al.
 D661,930 S 6/2012 Gebski
 D676,299 S 2/2013 Baron et al.
 D677,549 S 3/2013 Baron et al.
 D679,651 S 4/2013 Stratford
 D680,064 S 4/2013 Tirone et al.
 8,429,885 B2 4/2013 Rosa et al.
 D682,192 S 5/2013 Corbin
 D682,194 S 5/2013 Jiang et al.
 D682,778 S 5/2013 Baumgartner et al.
 D684,528 S 6/2013 Murray
 D685,730 S 7/2013 Hamm et al.
 D686,981 S 7/2013 Koyabu et al.
 D687,380 S 8/2013 Tirone et al.
 D692,380 S 10/2013 Tirone
 D694,182 S 11/2013 Lee et al.
 D696,190 S 12/2013 Brandtman et al.
 D697,475 S 1/2014 Regole
 D698,313 S 1/2014 Buetow et al.
 D699,670 S 2/2014 Cooper
 8,653,786 B2 2/2014 Baetica et al.
 D706,212 S 6/2014 Zwierstra et al.
 8,741,461 B2 6/2014 Yoneda et al.
 8,741,474 B2 6/2014 Melnyk et al.
 D708,571 S 7/2014 Ji et al.
 D710,794 S 8/2014 Busschaert et al.
 D711,818 S 8/2014 Maki et al.
 D712,826 S 9/2014 Marino et al.
 D714,721 S 10/2014 Zhang
 D718,233 S 11/2014 Aumiller et al.
 D718,234 S 11/2014 Rautiainen
 D718,236 S 11/2014 Murray
 D718,705 S 12/2014 Naksen
 D718,712 S 12/2014 Aumiller et al.
 D720,289 S 12/2014 Chiang et al.
 D725,034 S 3/2015 Chen
 D729,729 S 5/2015 Rabalais et al.
 D731,409 S 6/2015 Erlich et al.
 D731,411 S 6/2015 Nakaishi
 D735,131 S 7/2015 Akana et al.
 D738,303 S 9/2015 Symons
 9,127,658 B2 9/2015 Koenen et al.
 D740,222 S 10/2015 Tang
 D740,750 S 10/2015 Mayden et al.

D741,256 S 10/2015 Murphy-Reinhertz et al.
 D747,267 S 1/2016 Aumiller et al.
 D749,504 S 2/2016 Jeong et al.
 D755,715 S 5/2016 Inskeep
 D757,014 S 5/2016 Hahn et al.
 D761,412 S 7/2016 Strehle et al.
 D762,571 S 8/2016 Lee et al.
 D763,186 S 8/2016 Breitenbach et al.
 D765,592 S 9/2016 Friend
 D770,377 S 11/2016 Kondo
 D776,052 S 1/2017 Nommensen et al.
 D776,610 S 1/2017 Nommensen et al.
 D780,687 S 3/2017 Taniguchi et al.
 D780,688 S 3/2017 Elder
 D788,696 S 6/2017 Yonishi et al.
 D790,453 S 6/2017 Tinius
 9,673,648 B2 6/2017 Johnson et al.
 D791,700 S 7/2017 Loewen
 9,711,767 B2 7/2017 Juenger et al.
 D801,917 S 11/2017 Jiang
 D801,919 S 11/2017 Elder
 D812,555 S 3/2018 Schoch
 9,923,249 B2 3/2018 Rejman et al.
 D818,948 S 5/2018 Waldron
 D819,562 S 6/2018 Waldron
 D820,202 S * 6/2018 Wolff D13/103
 D820,784 S 6/2018 Insand et al.
 D823,288 S * 7/2018 Lim D14/240
 D826,149 S 8/2018 Cooper
 D826,150 S 8/2018 Cayon
 D829,646 S 10/2018 Tse et al.
 D836,552 S 12/2018 Crowe et al.
 D838,239 S 1/2019 Stray et al.
 D841,572 S * 2/2019 Gilpatrick D13/103
 2003/0039880 A1 2/2003 Turner et al.
 2004/0257038 A1 12/2004 Johnson et al.
 2004/0263119 A1 12/2004 Meyer et al.
 2009/0226816 A1 9/2009 Yoshida et al.
 2013/0330576 A1 12/2013 Kolden et al.
 2014/0106195 A1 4/2014 Milbourne et al.
 2016/0013680 A1 1/2016 Liang et al.
 2016/0043453 A1 2/2016 Ebner et al.
 2016/0072106 A1 3/2016 Baumgartner et al.
 2016/0079631 A1 3/2016 Flitsch et al.
 2016/0095487 A1 4/2016 Koura et al.
 2016/0115933 A1 4/2016 Koenen et al.
 2016/0156206 A1 6/2016 Yamaji et al.
 2016/0226290 A1 8/2016 Johnson et al.
 2016/0359151 A1 12/2016 Beyerl et al.
 2018/0198292 A1 7/2018 Lee et al.
 2018/0198294 A1 7/2018 Sheeks et al.
 2019/0020072 A1 1/2019 Fauteux et al.
 2019/0027718 A1 1/2019 Marinov

* cited by examiner

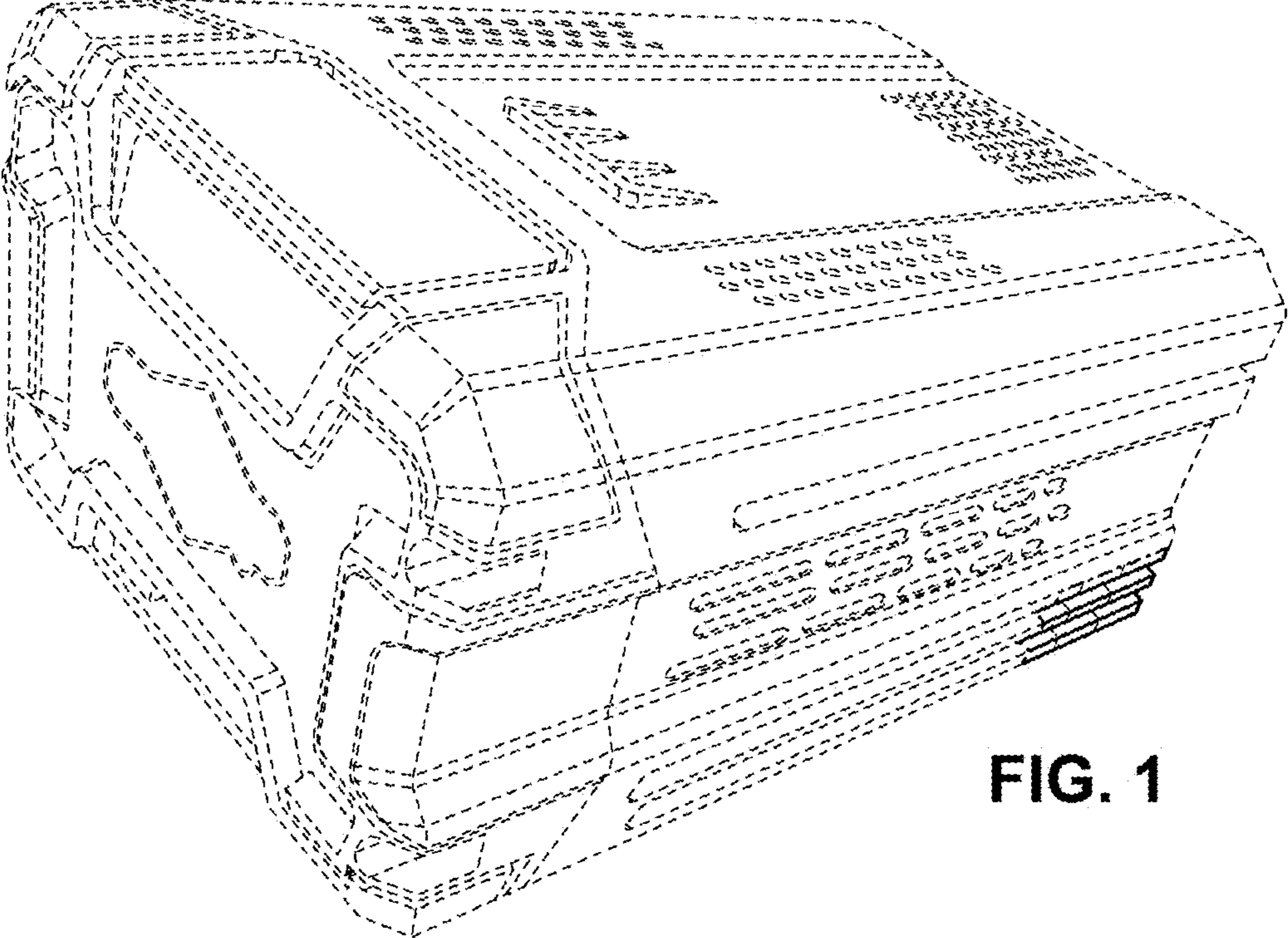


FIG. 1

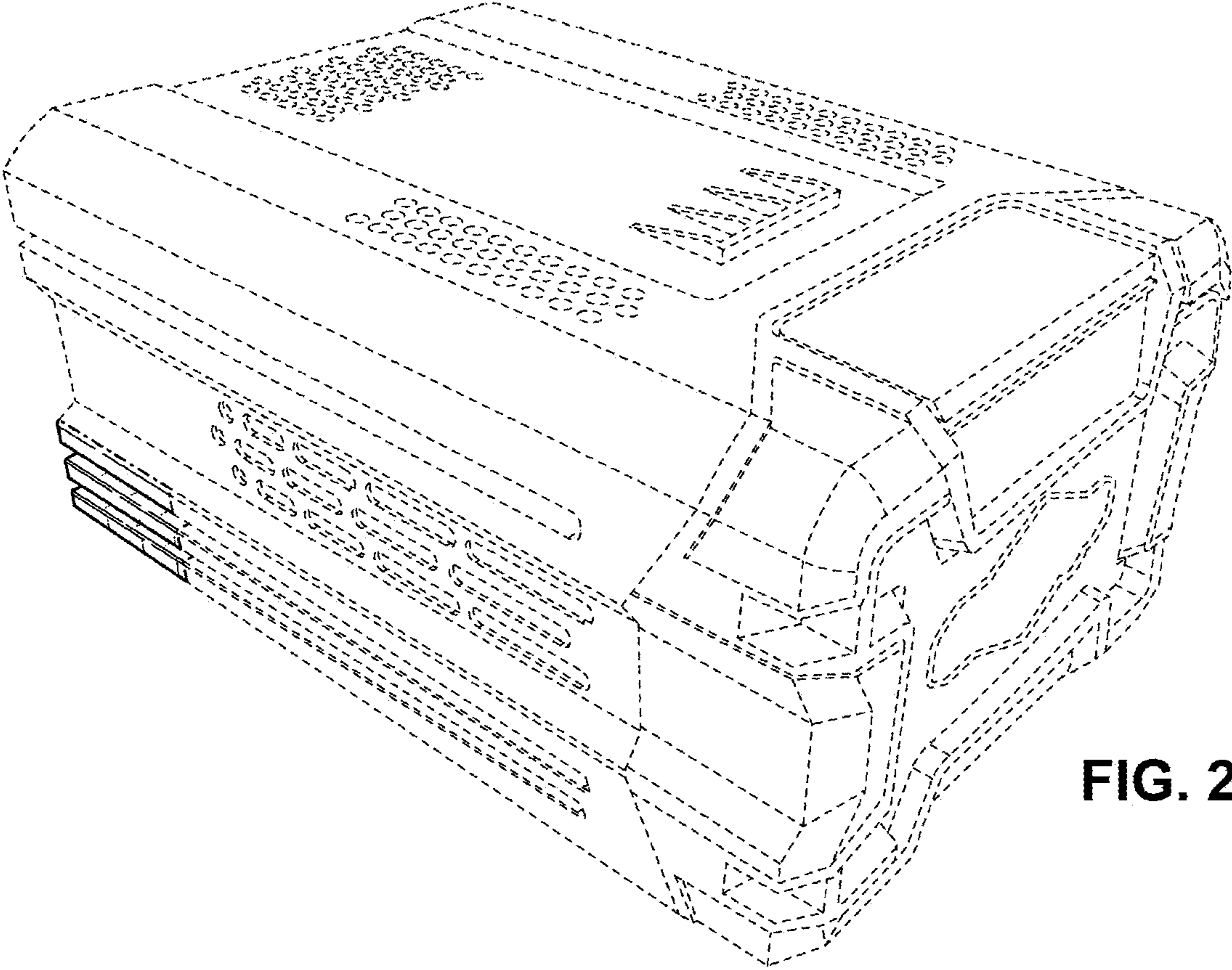


FIG. 2

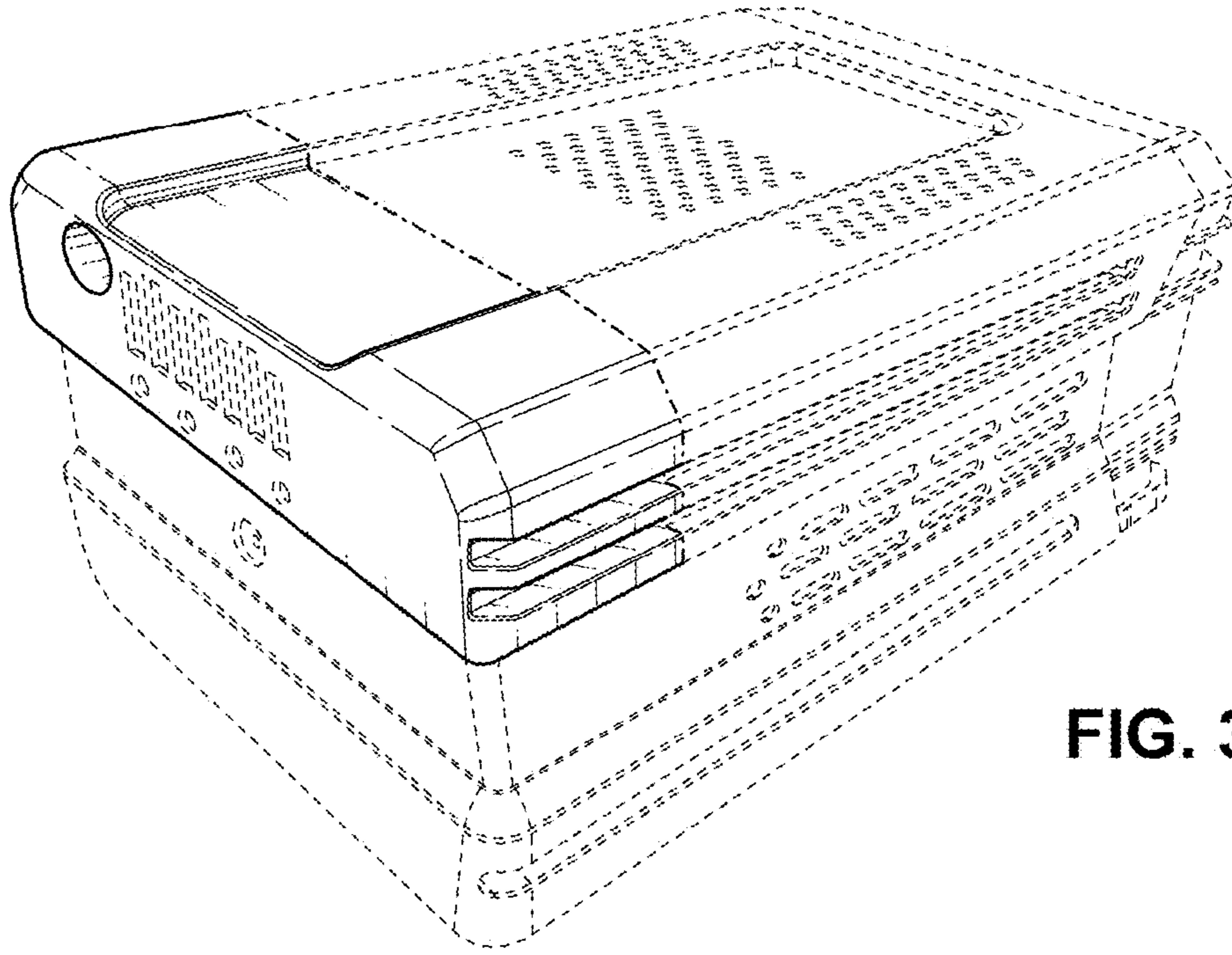


FIG. 3

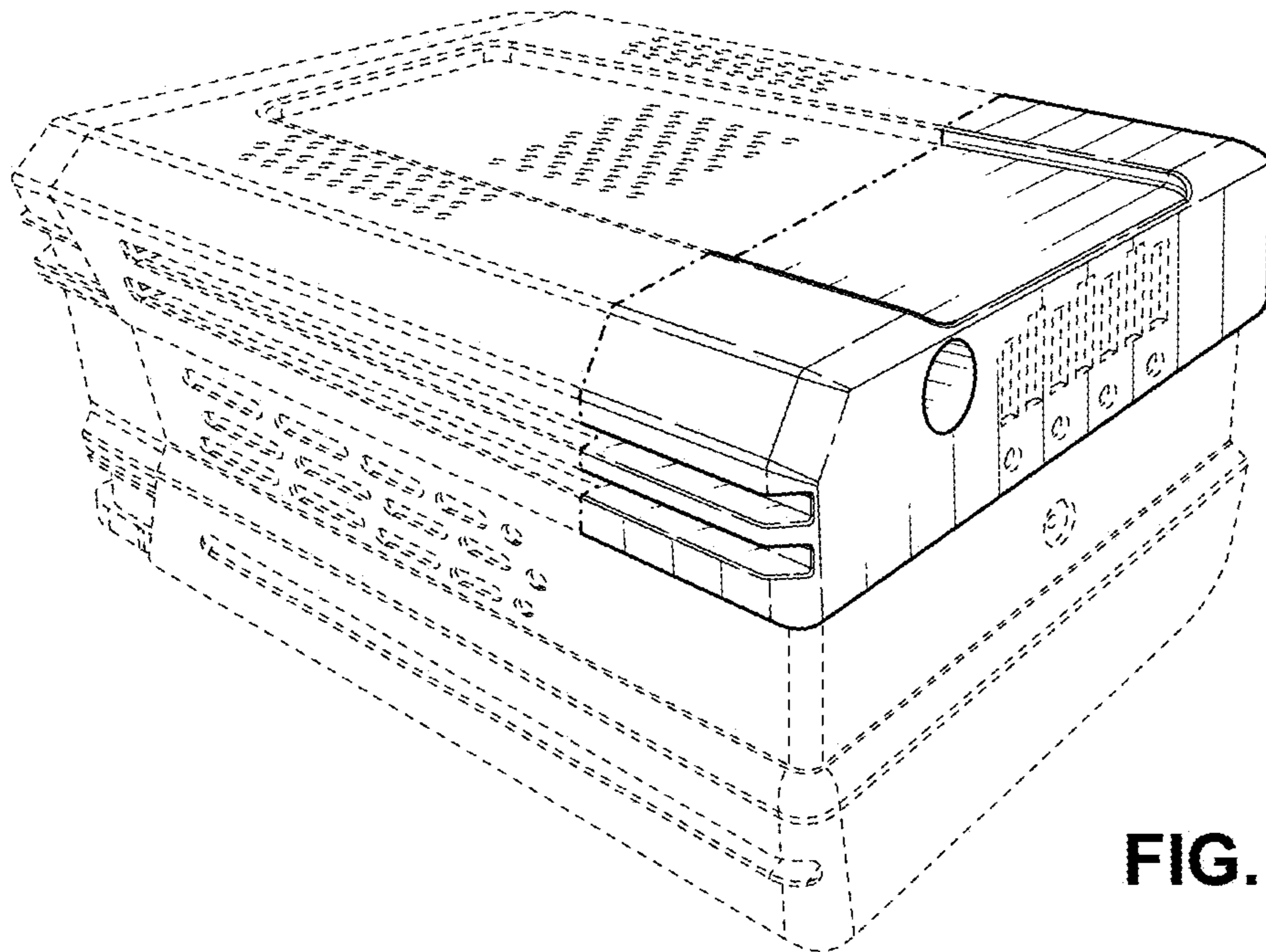


FIG. 4

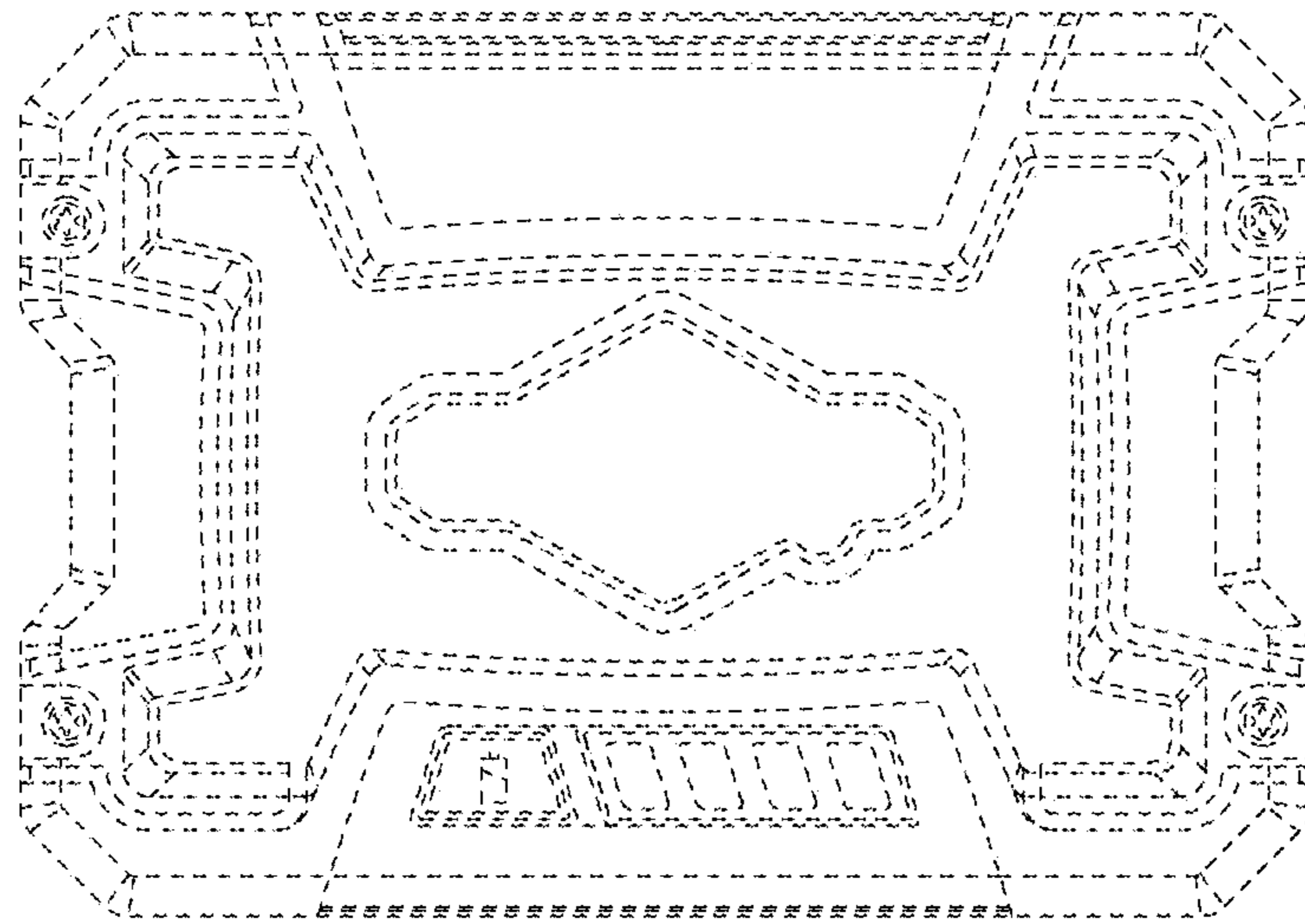


FIG. 5

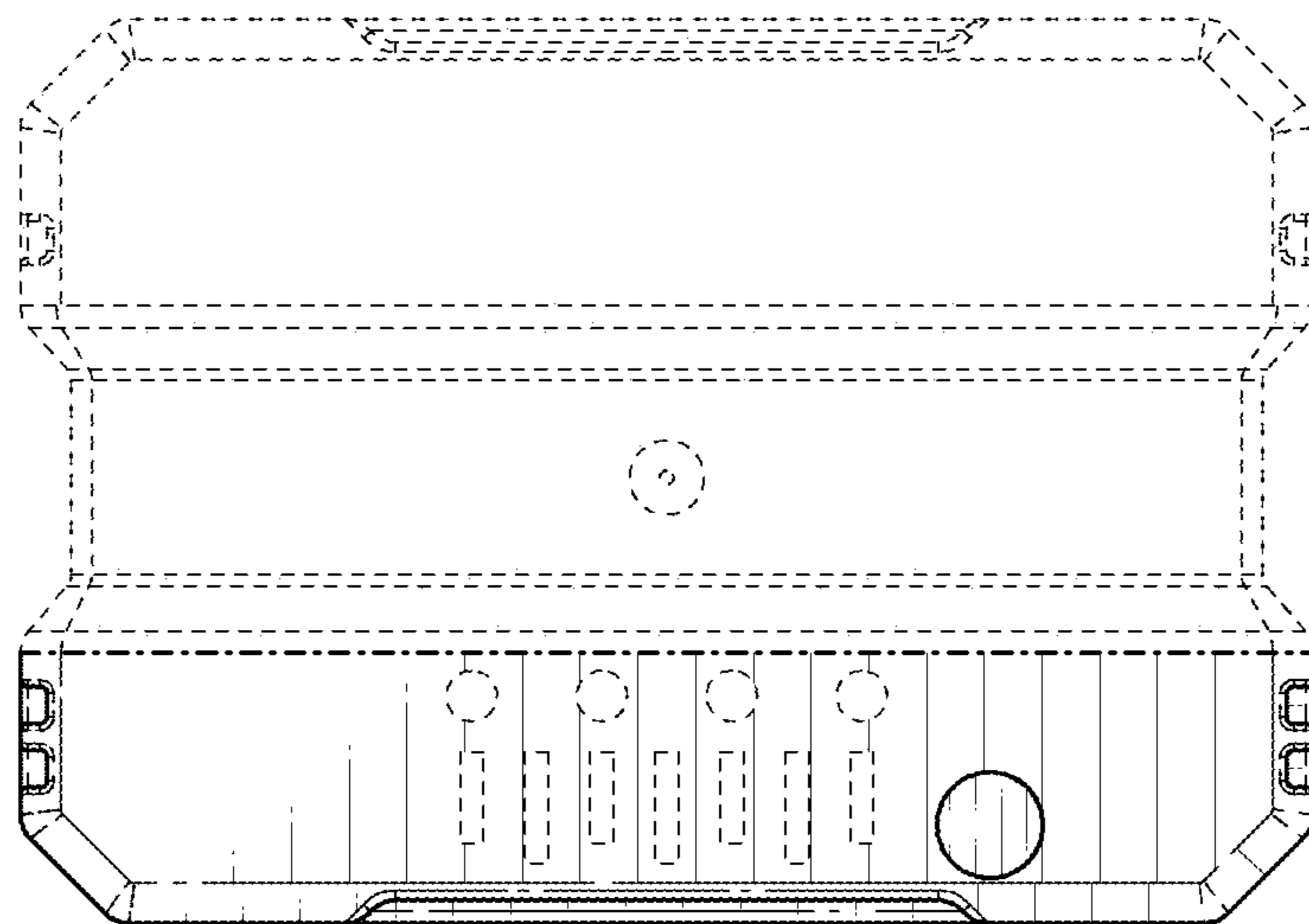


FIG. 6

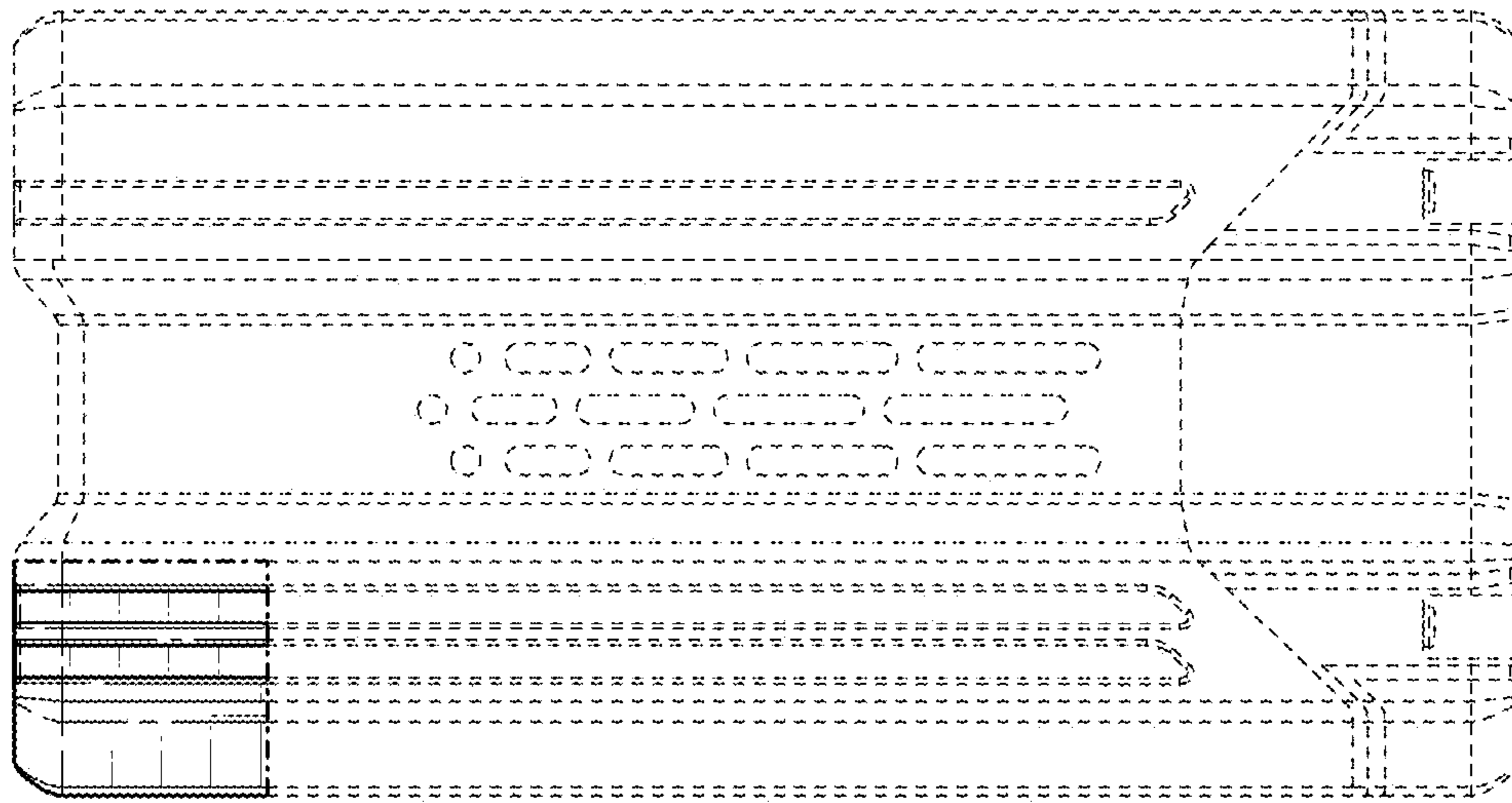


FIG. 7

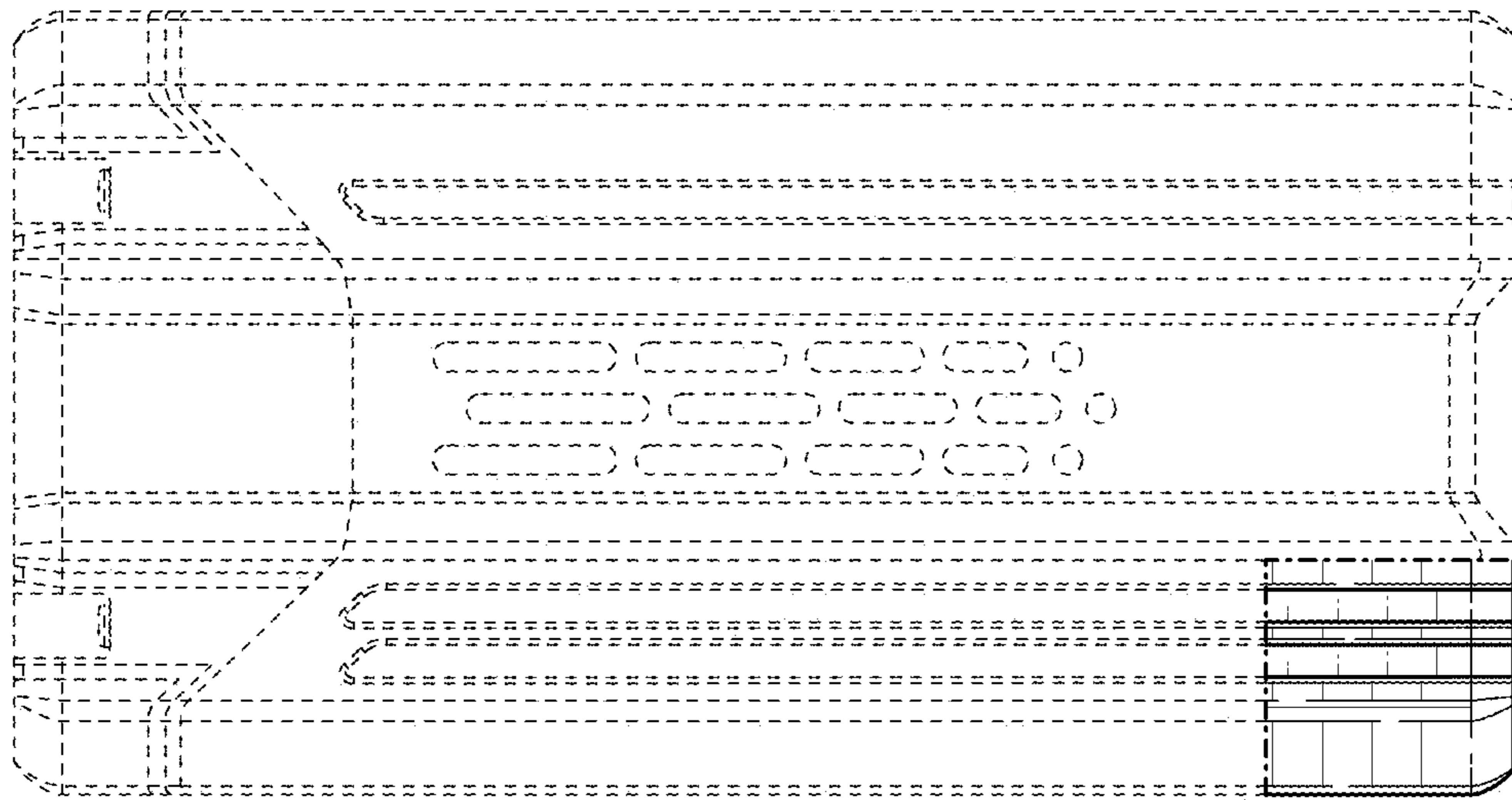


FIG. 8

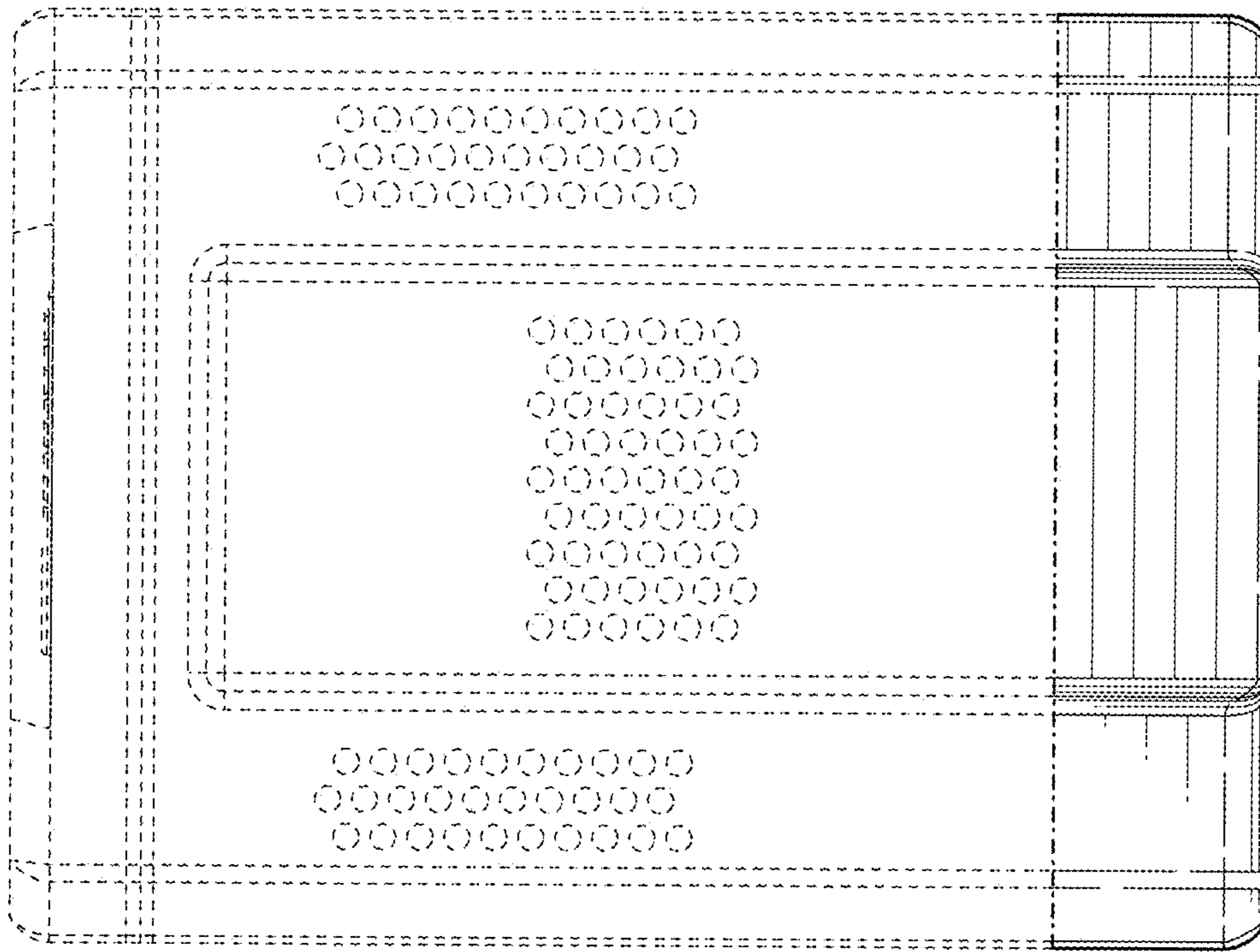


FIG. 10

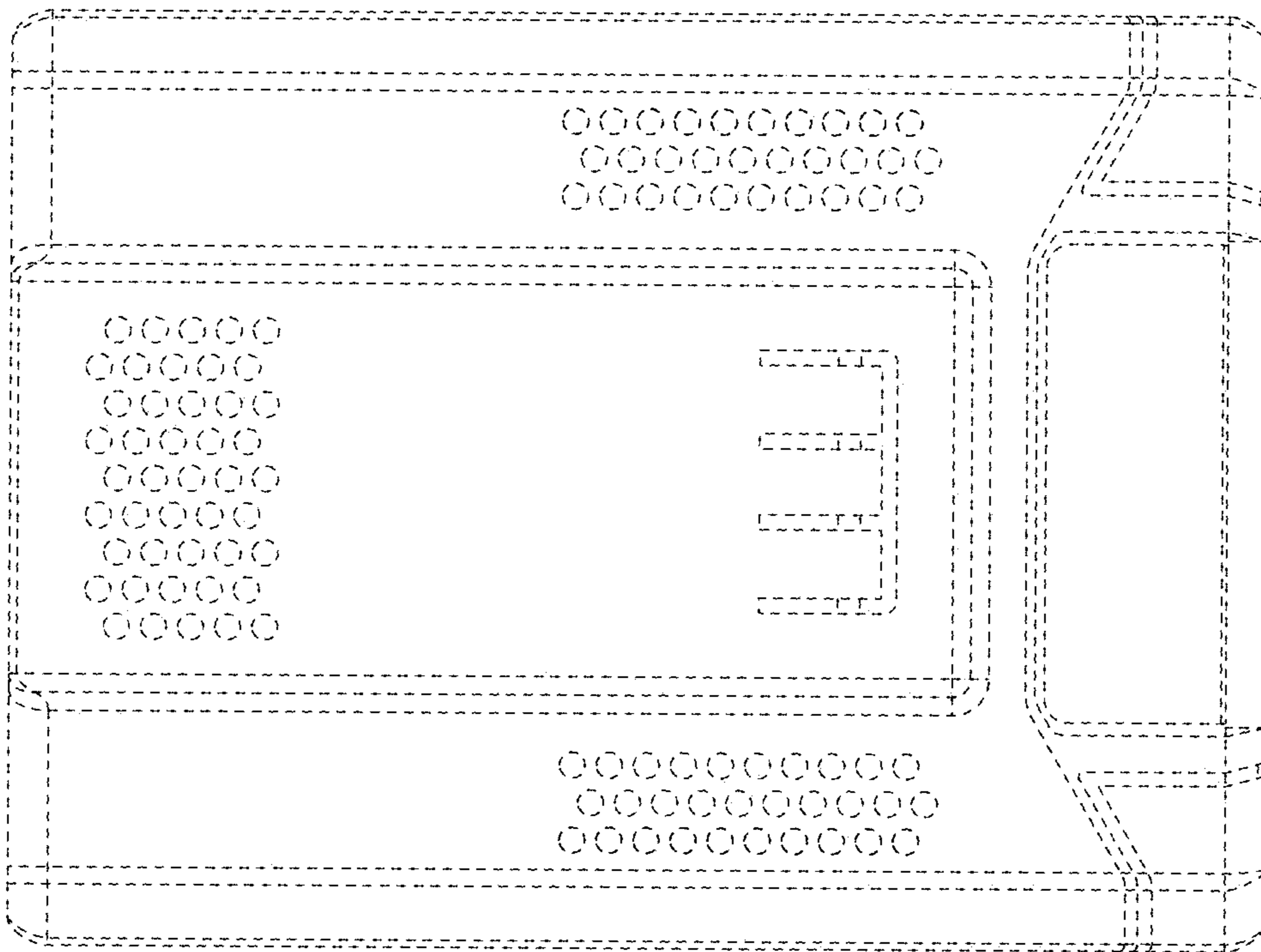


FIG. 9