



US00D891361S

(12) **United States Design Patent**
Kala et al.

(10) **Patent No.:** **US D891,361 S**
(45) **Date of Patent:** **** Jul. 28, 2020**

(54) **SOLAR PANEL ASSEMBLY**
(71) Applicant: **SYS3E Technologies Private Limited,**
Pune, Maharashtra (IN)
(72) Inventors: **Sahil Kala,** Maharashtra (IN);
Shilowbhadra Banerjee, Maharashtra
(IN); **Sudhir Muthyala,** Maharashtra
(IN)
(73) Assignee: **SYS3E TECHNOLOGIES PRIVATE**
LIMITED, Pune, Maharasht (IN)

D663,260 S * 7/2012 Fischer D13/102
D679,245 S * 4/2013 Eftimiady D13/102
8,578,928 B2 * 11/2013 Clavijo Lumbreras
H02S 20/00
126/600
D754,064 S * 4/2016 Mackler D13/102
D783,521 S * 4/2017 Negley D13/102
2005/0284467 A1 * 12/2005 Patterson G01S 3/7861
126/580

(**) Term: **15 Years**

* cited by examiner

(21) Appl. No.: **29/667,891**

Primary Examiner — Derrick E Holland

(22) Filed: **Oct. 25, 2018**

(74) *Attorney, Agent, or Firm* — Egbert Law Offices,
PLLC

(51) **LOC (12) Cl.** **13-02**

(52) **U.S. Cl.**
USPC **D13/102**

(58) **Field of Classification Search**
USPC D13/102, 101, 107, 184, 199; D25/56,
D25/61, 68, 134; 52/173.3; 126/569,
126/571, 600, 621, 623, 680, 906;
136/243–246, 251; 248/49, 346.01,
248/346.02

CPC F24J 2/526; F24J 2/5233; F24J 2/5239;
F24J 2/5245; F24J 2/5254; F24J 2/5256;
F24J 2/5264; F24J 2002/4663; F24J
2002/5216; F24J 2002/5292; H02S 20/10;
H02S 20/23; Y02E 10/40; Y02E 10/47;
H01L 31/05; H01L 31/18; H01L 31/042;
H01L 31/045

See application file for complete search history.

(56) **References Cited**

U.S. PATENT DOCUMENTS

4,245,895 A * 1/1981 Wildenrotter H02S 20/30
359/848
6,217,178 B1 * 4/2001 Drumheller G02B 7/183
359/849

(57) **CLAIM**

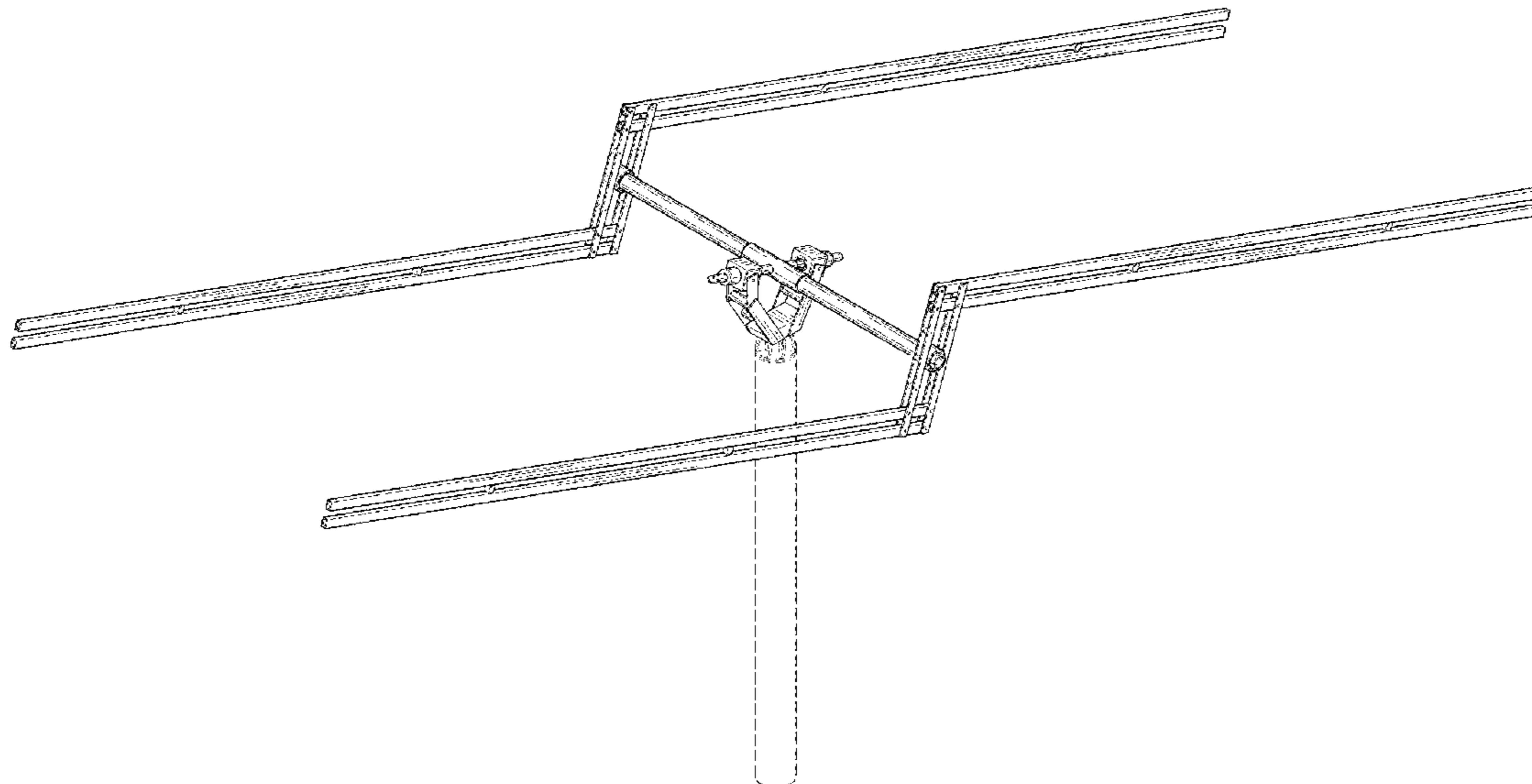
The ornamental design for a solar panel assembly, as shown
and described.

DESCRIPTION

FIG. 1 is a perspective view of a solar panel assembly
showing our new design.
FIG. 2 is a rear view thereof;
FIG. 3 is a front view thereof;
FIG. 4 is a side view thereof;
FIG. 5 is an opposite side view thereof;
FIG. 6 is a top view thereof;
FIG. 7 is a bottom view thereof; and,
FIG. 8 is another perspective view thereof, shown in envi-
ronmental use.

The broken lines shown represent the portions of the solar
panel assembly that form no part of the claimed design.

1 Claim, 6 Drawing Sheets



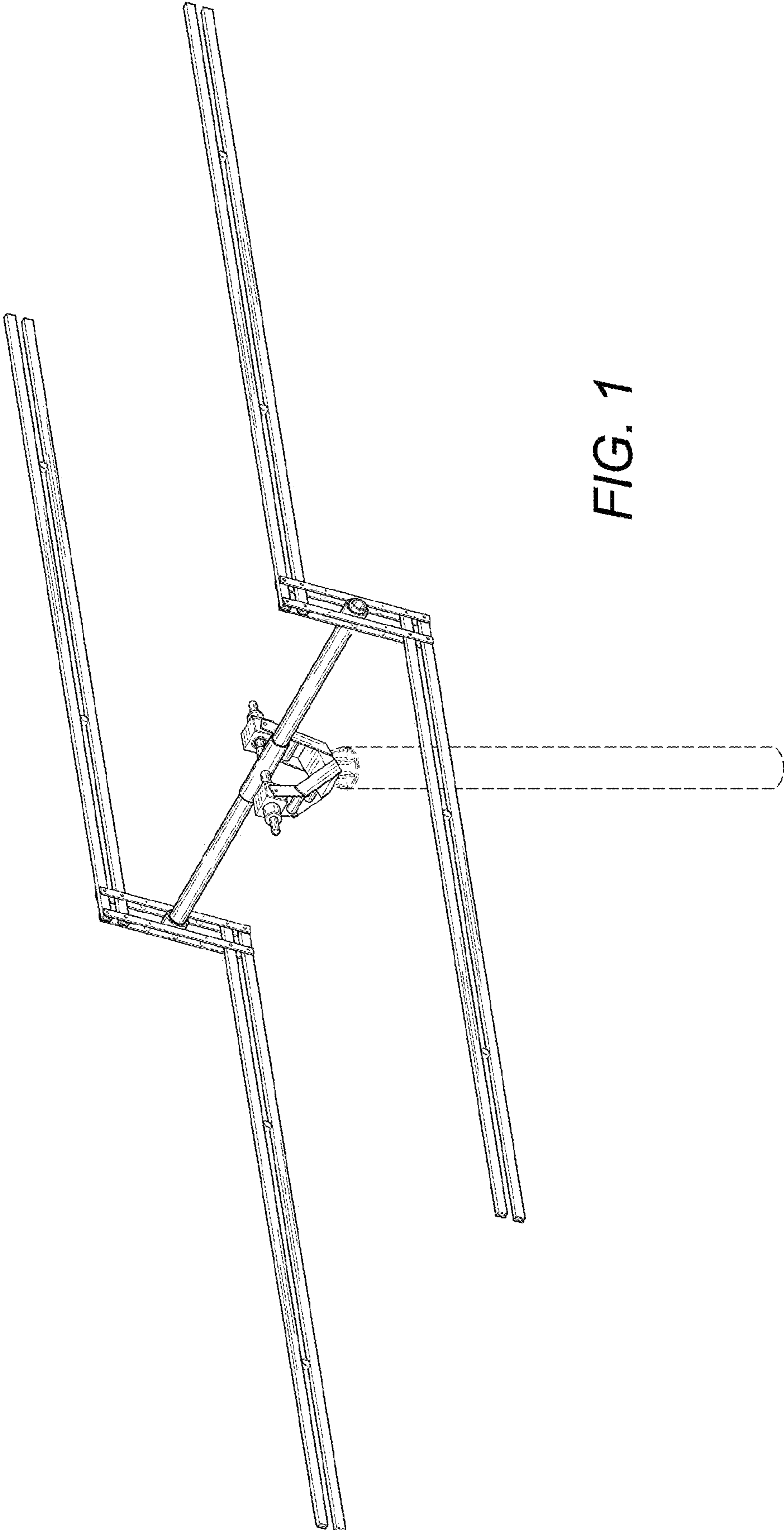


FIG. 1

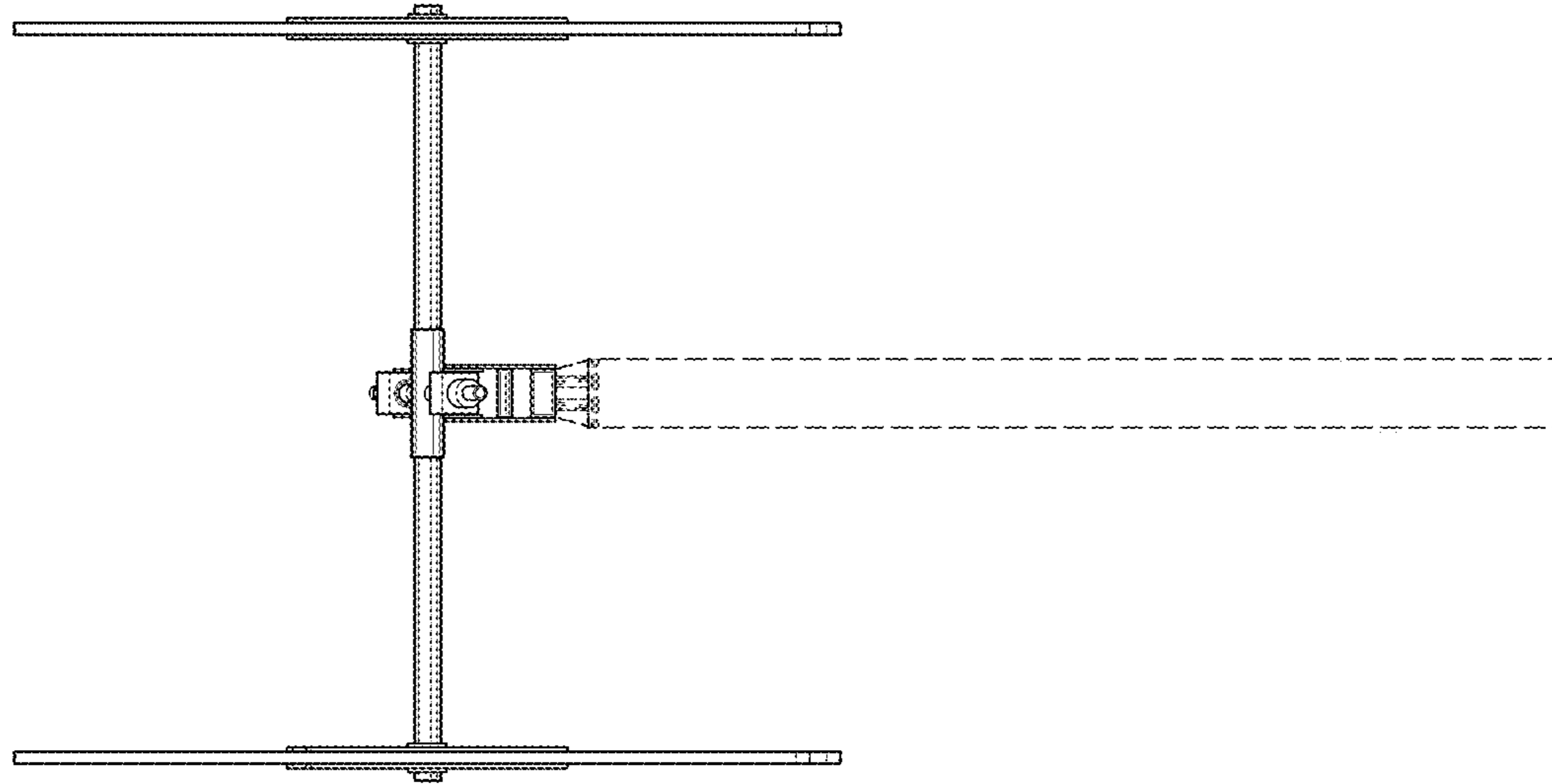


FIG. 3

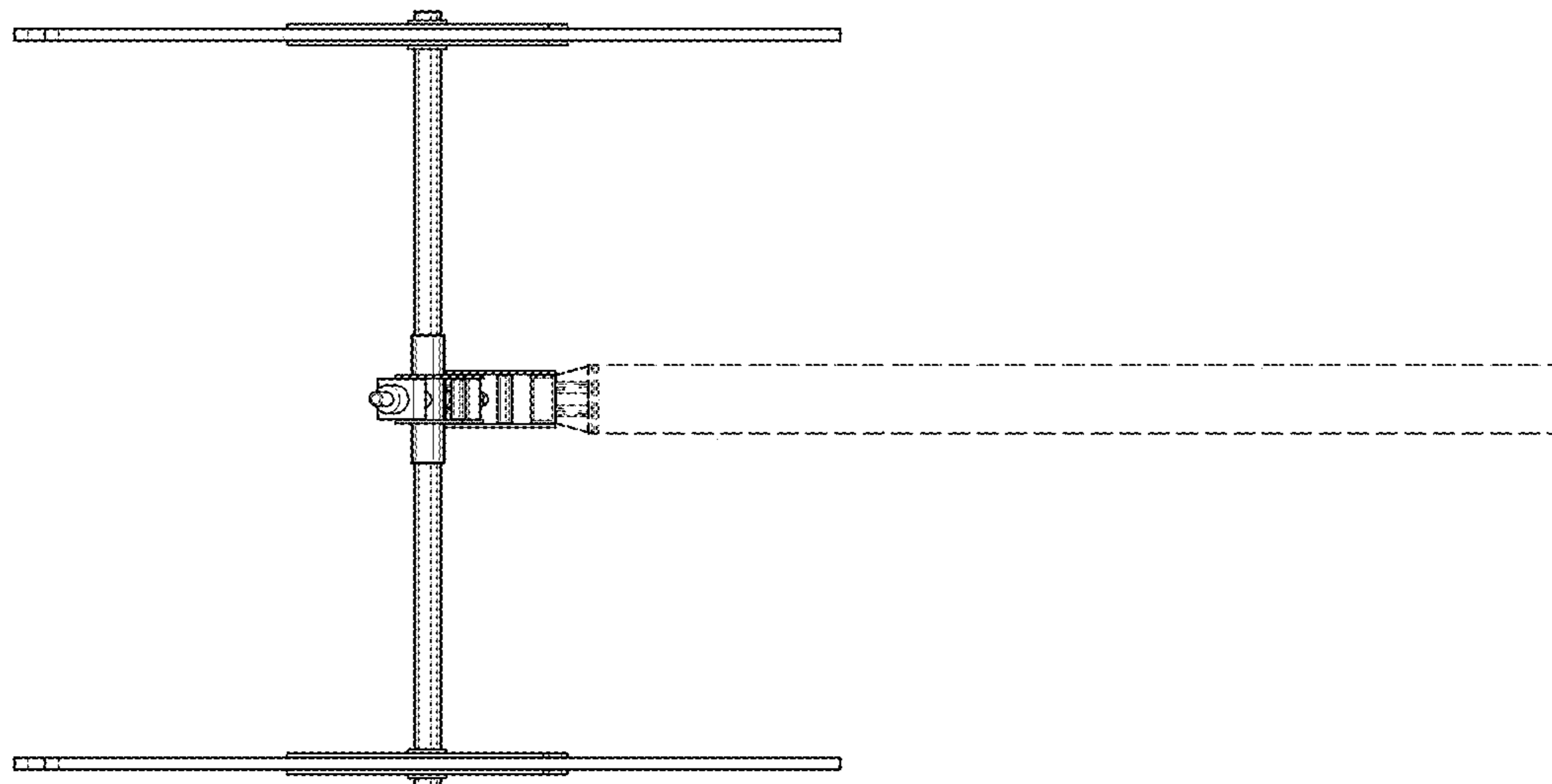


FIG. 2

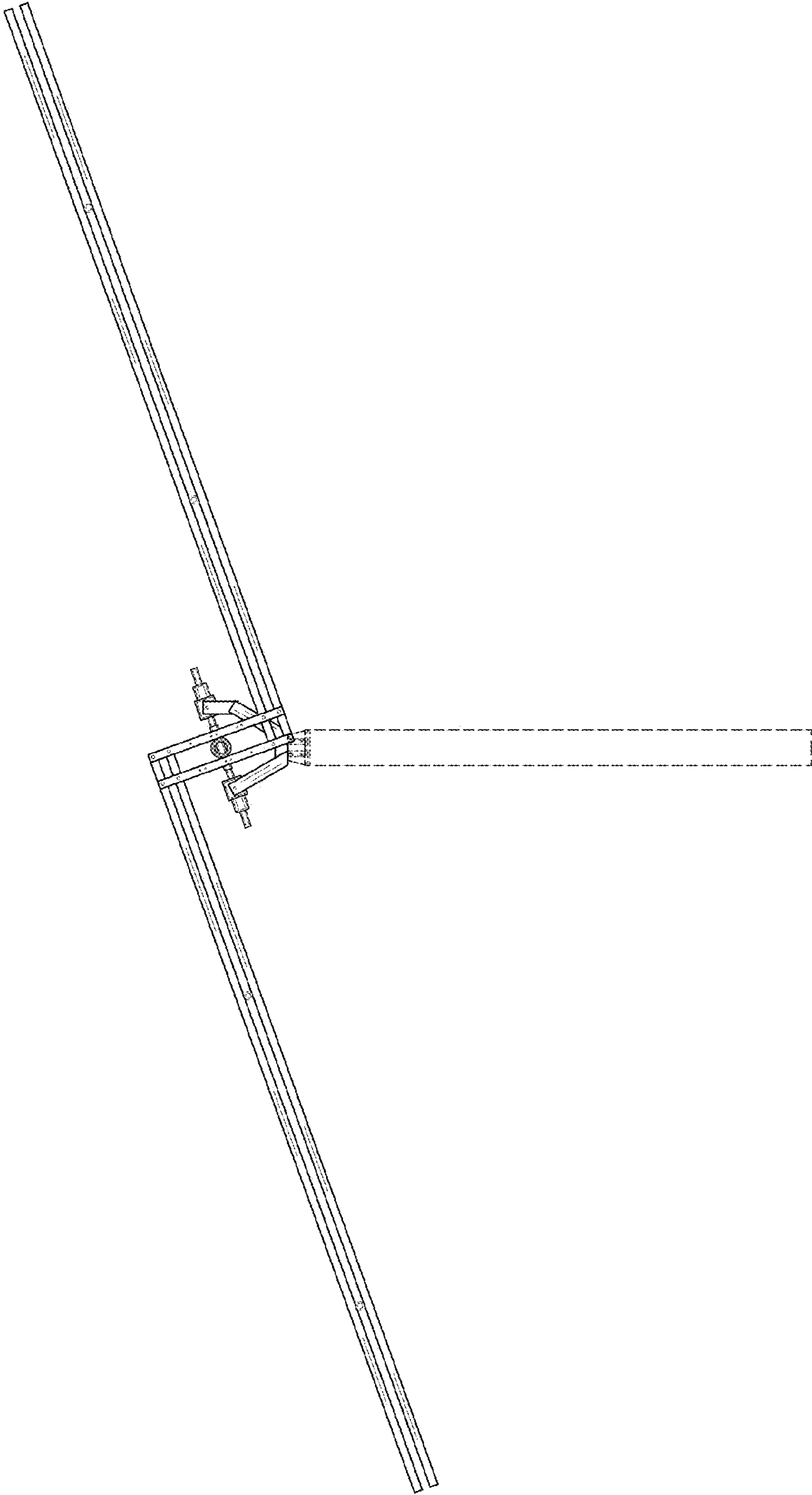


FIG. 4

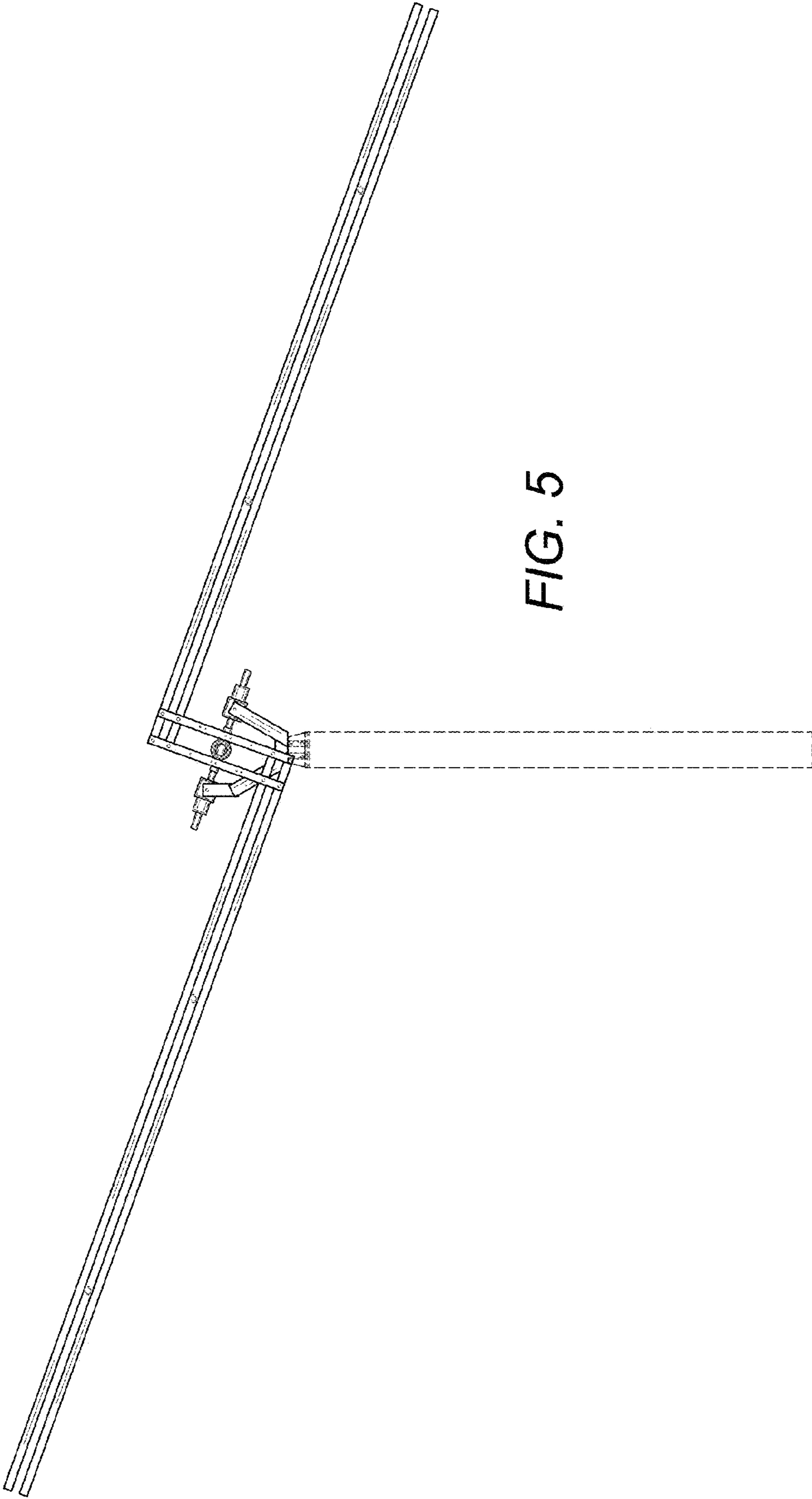


FIG. 5

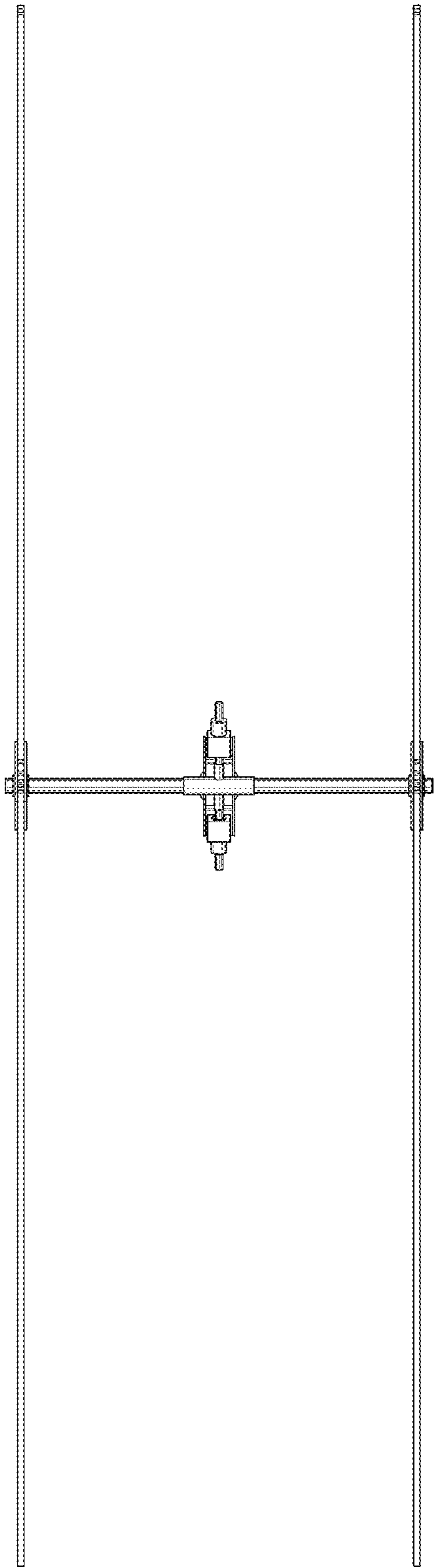


FIG. 6

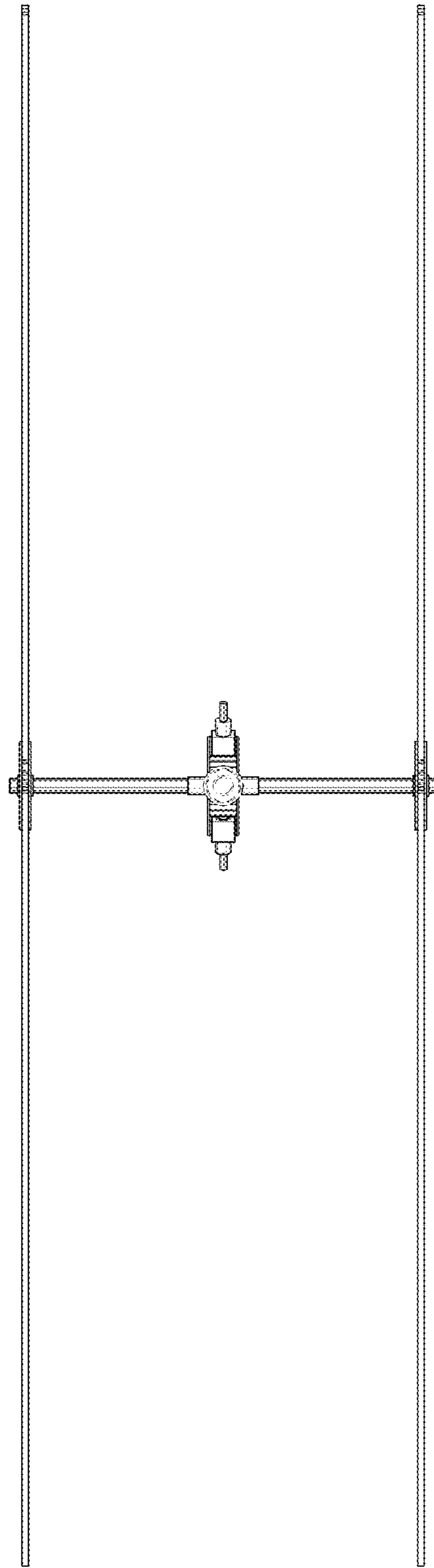


FIG. 7

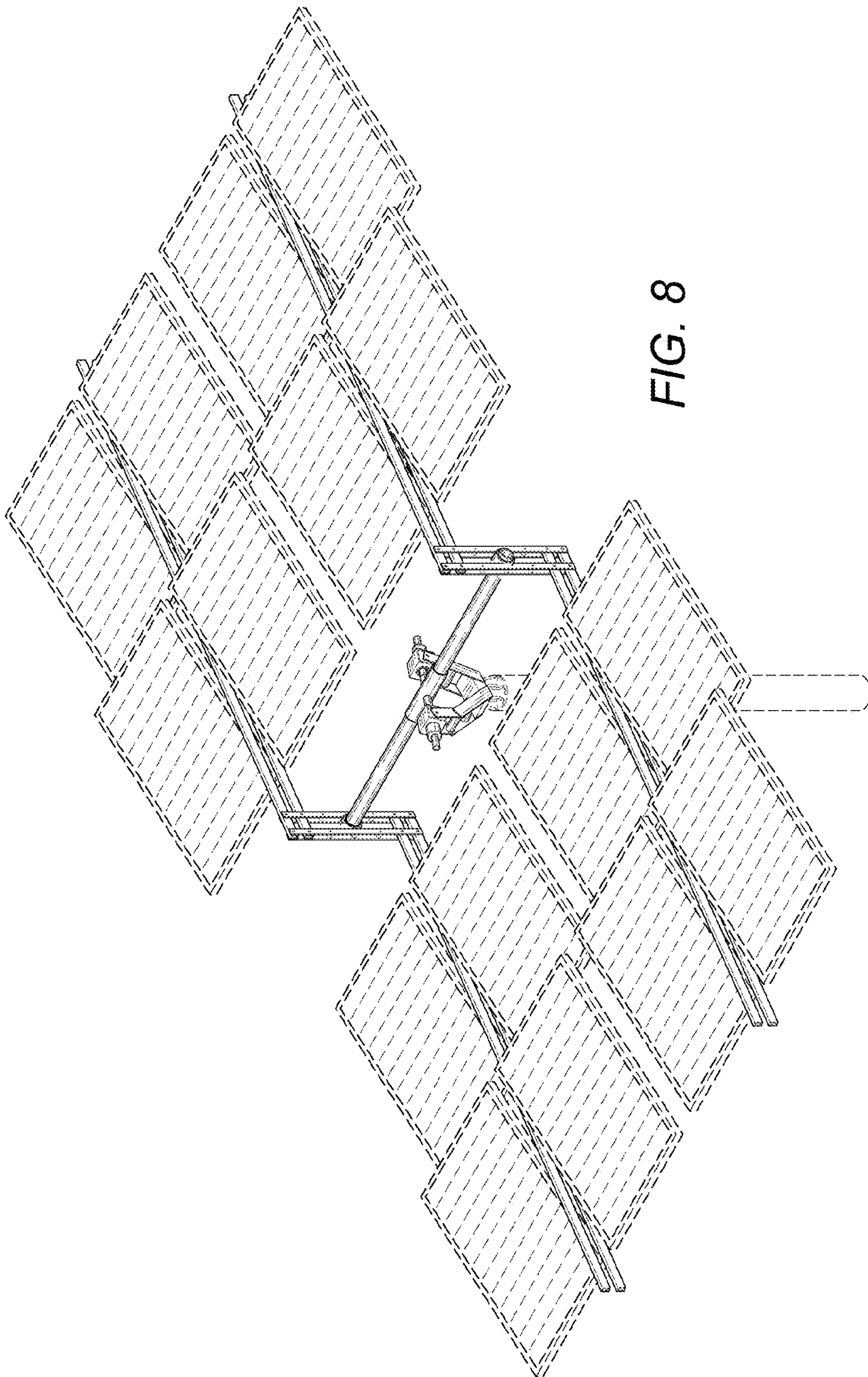


FIG. 8