



US00D891360S

(12) **United States Design Patent** (10) **Patent No.:** **US D891,360 S**
Wong et al. (45) **Date of Patent:** **** Jul. 28, 2020**

(54) **SOLAR ROOF MOUNTING SURFACE TRANSITION**

(56) **References Cited**

U.S. PATENT DOCUMENTS

(71) Applicant: **SUNPOWER CORPORATION**, San Jose, CA (US)

2,973,175 A 2/1961 Appleton
4,797,507 A * 1/1989 Lofving H01R 13/516
174/503

(72) Inventors: **Benjamin Cadbury Wong**, Santa Cruz, CA (US); **John Paul Kapla**, Mill Valley, CA (US); **Kyle Donald Feldmann**, Richmond, CA (US); **Dylan Benjamin**, San Francisco, CA (US)

5,664,955 A * 9/1997 Arnett G02B 6/3817
174/67

D399,829 S * 10/1998 Reed D13/156
D449,584 S * 10/2001 Dinh D13/156

7,127,775 B2 10/2006 Ferre et al.
7,820,911 B1 * 10/2010 Gretz H02G 3/14
174/53

(73) Assignee: **SUNPOWER CORPORATION**, San Jose, CA (US)

7,834,267 B1 11/2010 Gretz
D662,896 S * 7/2012 Czarnecki D13/156

8,820,033 B2 9/2014 Yang
8,826,126 B1 9/2014 Toscano et al.

(**) Term: **15 Years**

9,528,271 B2 * 12/2016 Rook E04H 12/12
D789,880 S * 6/2017 Li D13/102

(21) Appl. No.: **29/659,983**

* cited by examiner

(22) Filed: **Aug. 14, 2018**

Primary Examiner — Derrick E Holland
(74) *Attorney, Agent, or Firm* — Oblon, McClelland, Maier & Neustadt, L.L.P.

Related U.S. Application Data

(63) Continuation of application No. 15/282,126, filed on Sep. 30, 2016, now abandoned.

(51) **LOC (12) Cl.** **13-02**

(52) **U.S. Cl.**

USPC **D13/102**; D13/156

(58) **Field of Classification Search**

USPC D13/102, 118, 154, 155, 156, 184, 199;
D8/355, 356, 353, 354; D25/119, 123,
D25/124, 125

CPC F24J 2/46; F24J 2/526; F24J 2/5207; F24J
2/5211; F24J 2/5245; F24J 2/5258; Y02E
10/47; Y02B 10/20; H01R 13/516; H01R
24/525; H01R 2103/00; H02G 3/14;
H02G 3/083

See application file for complete search history.

(57) **CLAIM**

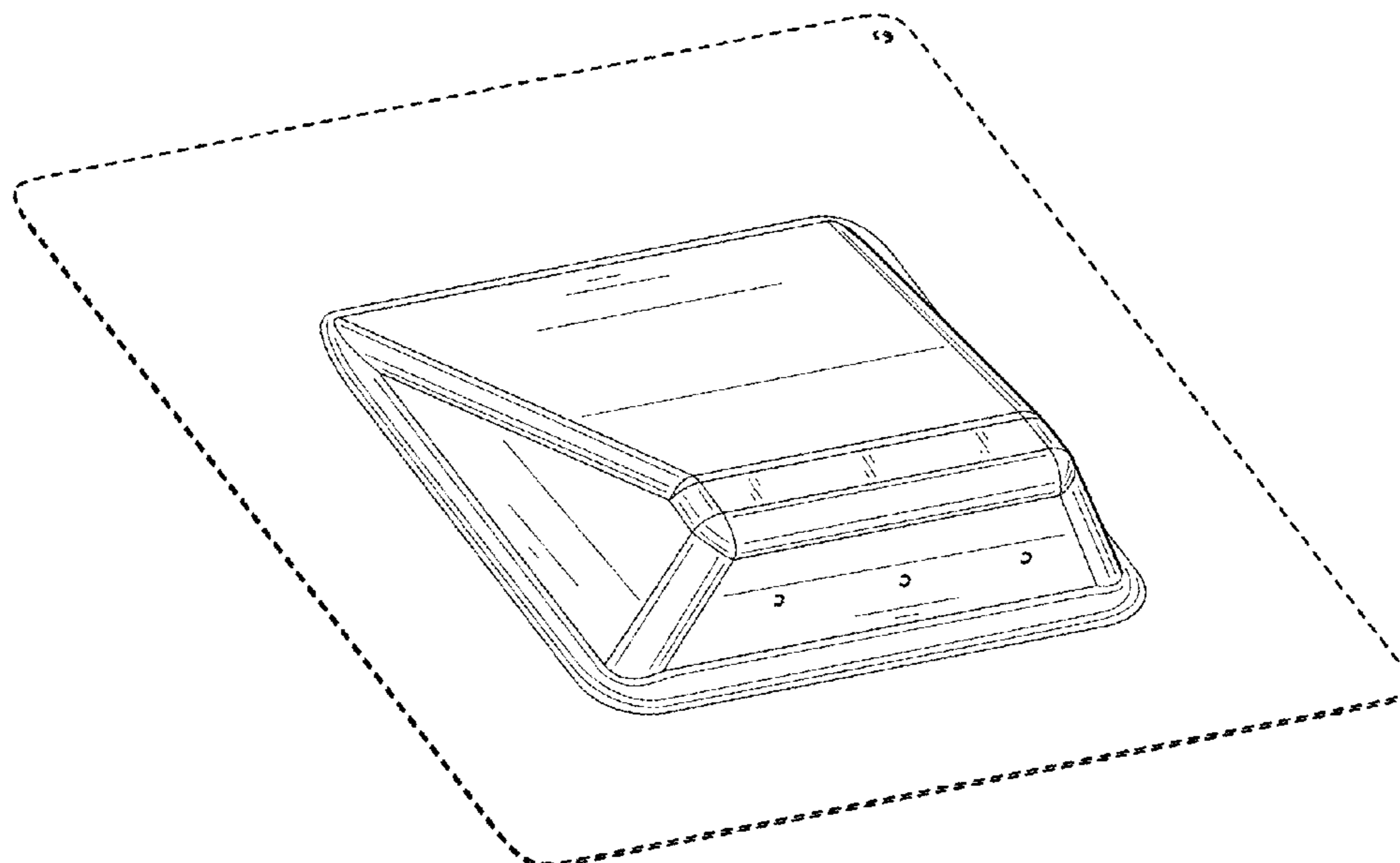
The ornamental design for a solar roof mounting surface transition, as shown and described.

DESCRIPTION

FIG. 1 is a front, left side, and bottom perspective view of a solar roof mounting surface transition; FIG. 2 is a front elevational view thereof; FIG. 3 is a left side elevational view thereof; FIG. 4 is a right side elevational view thereof; FIG. 5 is a top plan view thereof; and, FIG. 6 is a bottom plan view thereof.

The broken lines shown in the figures are for the purpose of illustrating portions of the solar roof mounting surface transition that form no part of the claimed design.

1 Claim, 4 Drawing Sheets



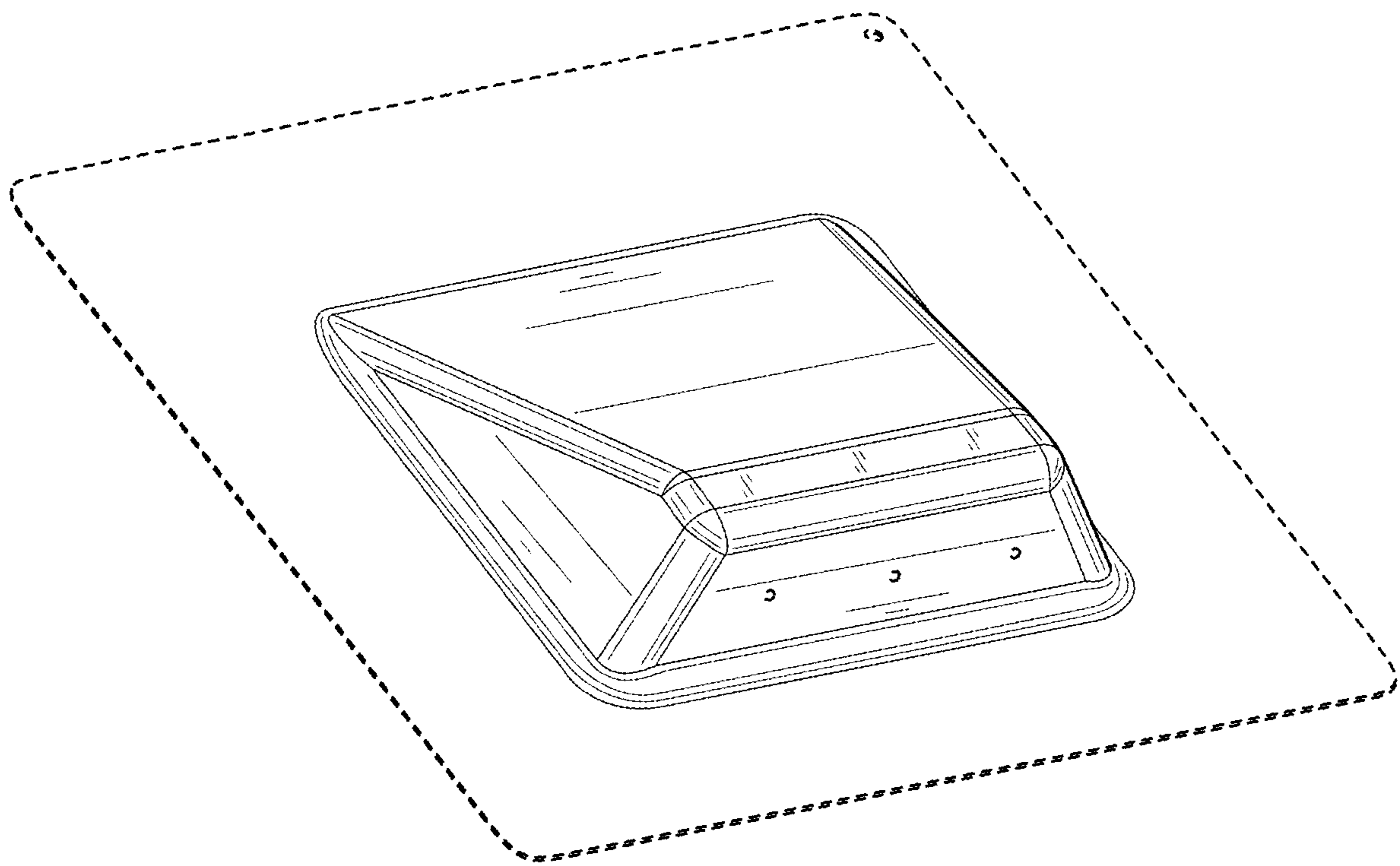


FIG. 1

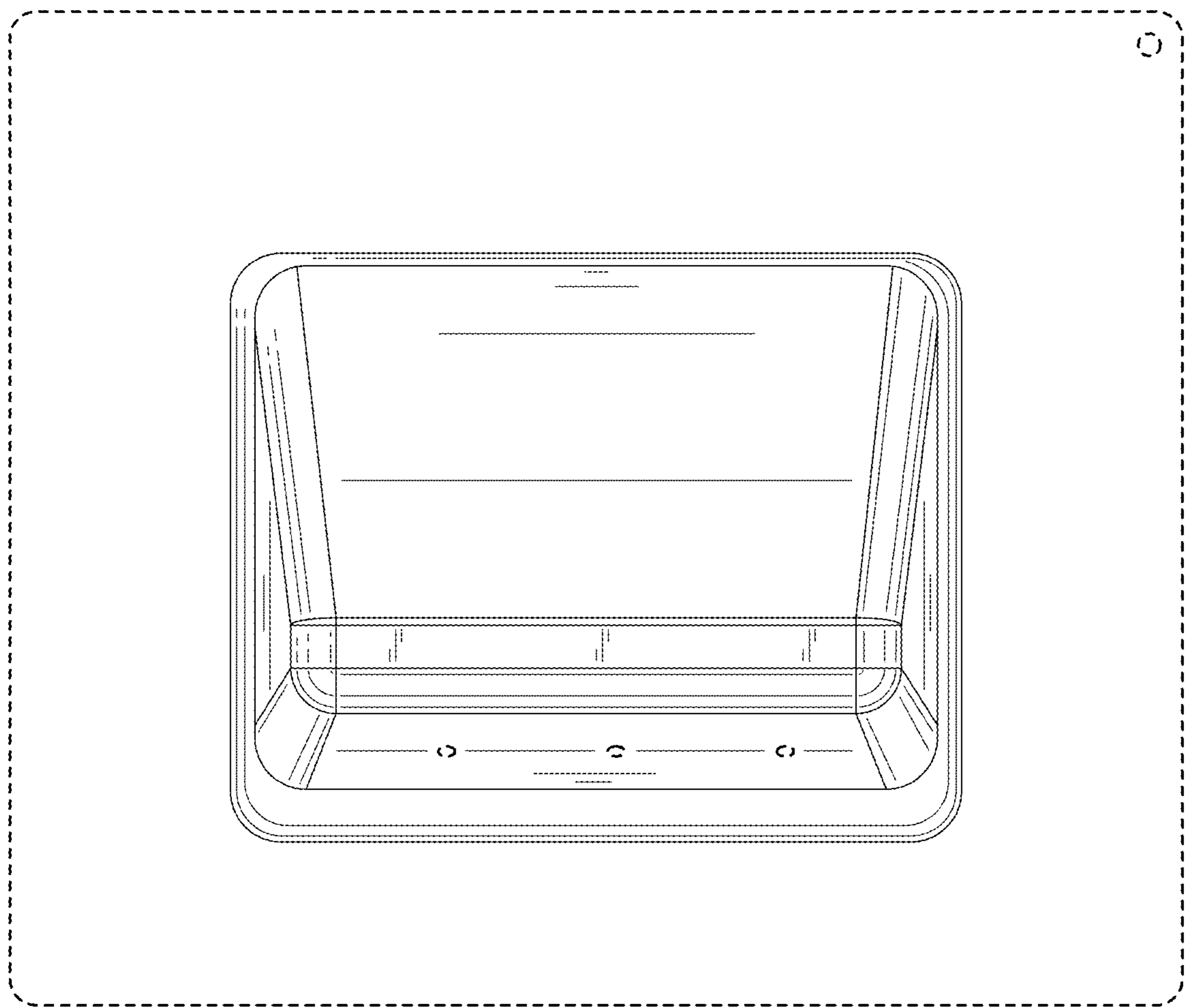


FIG. 2

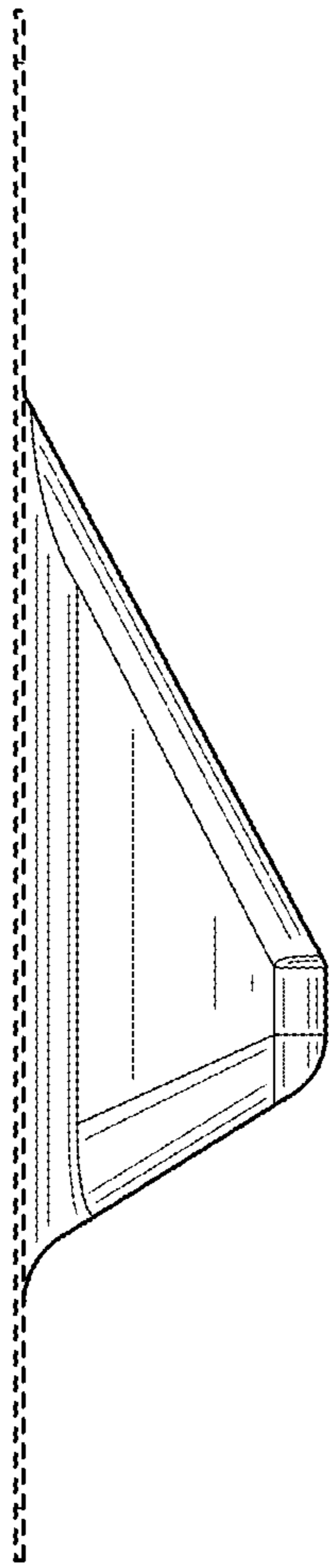


FIG. 3

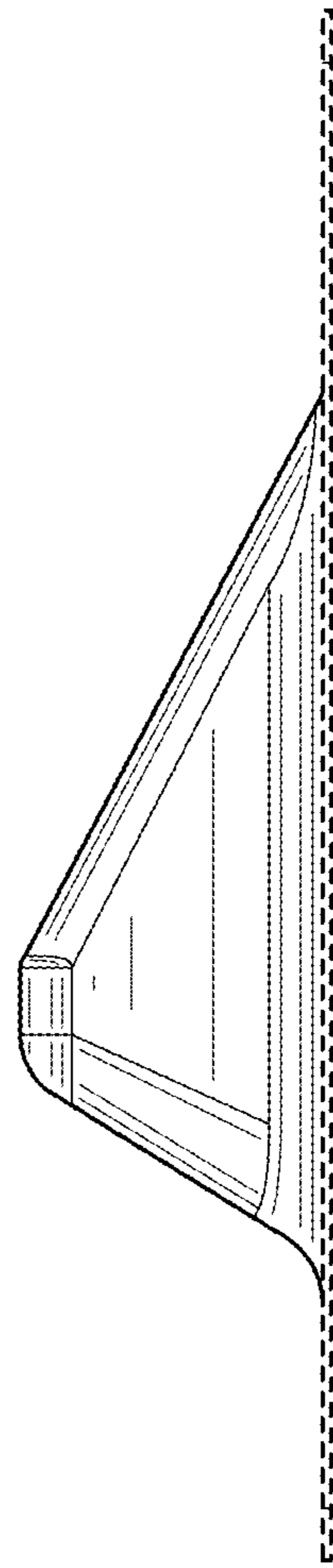


FIG. 4

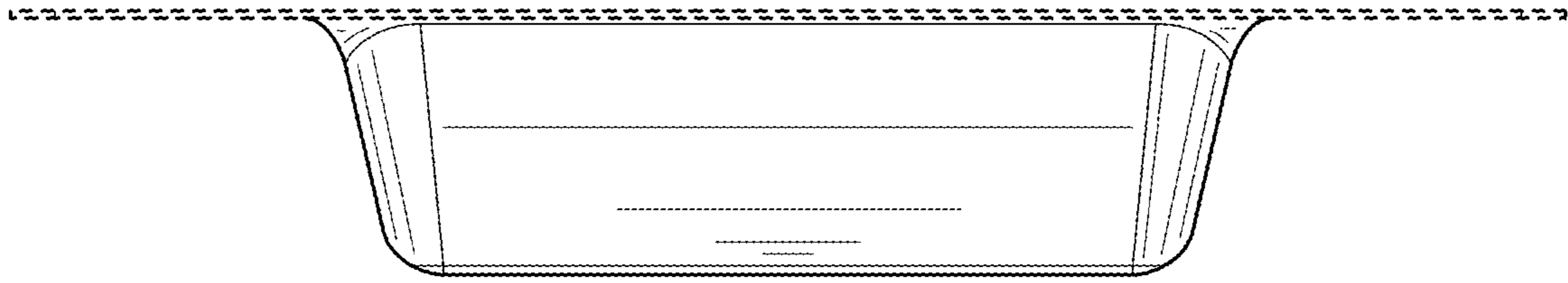


FIG. 5

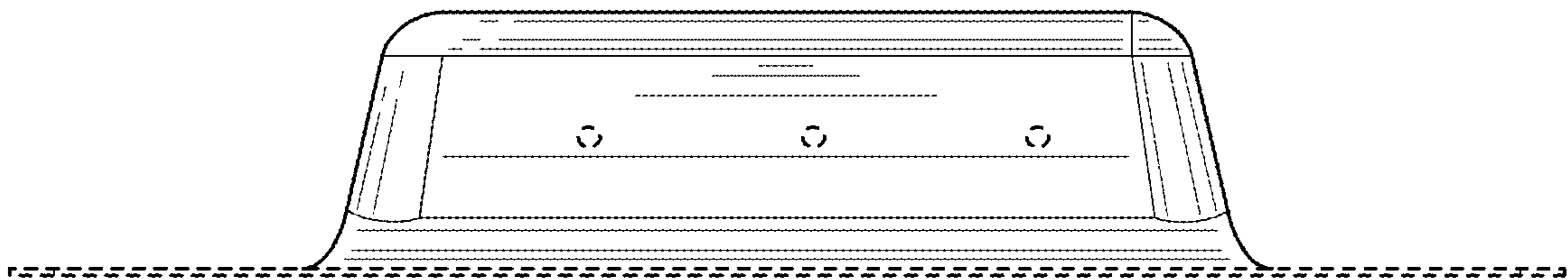


FIG. 6

UNITED STATES PATENT AND TRADEMARK OFFICE
CERTIFICATE OF CORRECTION

PATENT NO. : D891,360 S
APPLICATION NO. : 29/659983
DATED : July 28, 2020
INVENTOR(S) : Benjamin Wong et al.

Page 1 of 1

It is certified that error appears in the above-identified patent and that said Letters Patent is hereby corrected as shown below:

On the Title Page

Item (72) The 1st and the 2nd Inventors' information is incorrect. Item (72) should read:

--(72) Inventors: **Benjamin Wong**, Santa Cruz, CA (US);
John Kapla, Mill Valley, CA (US);
Kyle Donald Feldmann, Richmond, CA (US);
Dylan Benjamin, San Francisco, CA (US)--

The Related U.S. Application Data information is incorrect. The Related U.S. Application Data should read:

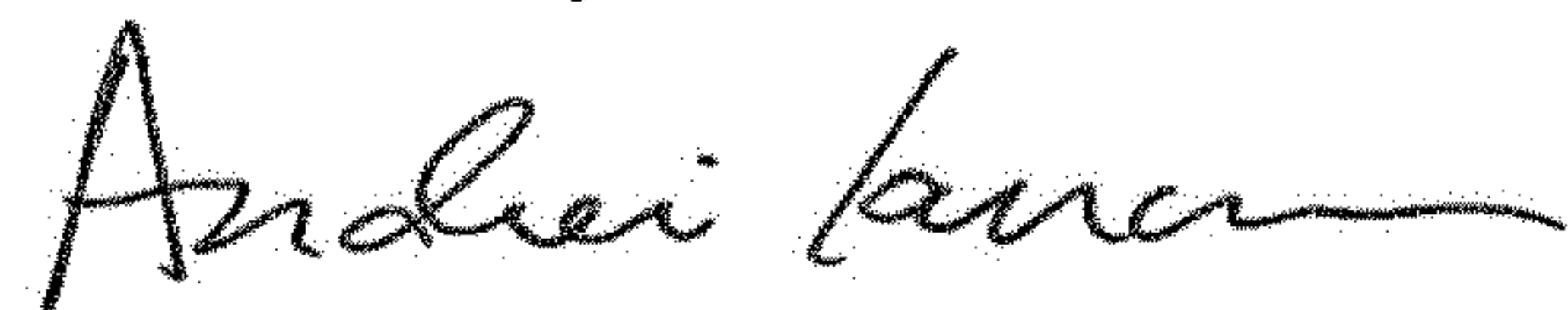
--**Related U.S. Application Data**

(63) Continuation of Application No. 15/282,126, filed on Sep. 30, 2016,

Now abandoned;

(60) Provisional of Application No. 62/366,500, filed on Jul. 25, 2016--

Signed and Sealed this
Sixth Day of October, 2020



Andrei Iancu
Director of the United States Patent and Trademark Office