



US00D891355S

(12) **United States Design Patent**
Hong

(10) **Patent No.:** **US D891,355 S**
(45) **Date of Patent:** **** Jul. 28, 2020**

(54) **DRONE**
(71) Applicant: **this is engineering Inc.**, Seongnam-si,
Gyeonggi-do (KR)
(72) Inventor: **Yoo Jung Hong**, Yongin-si (KR)
(73) Assignee: **this is engineering Inc.**, Seongnam-si
(KR)
(**) Term: **15 Years**

D768,540 S * 10/2016 Ji D12/16.1
D770,572 S * 11/2016 Caubel D21/441
D779,595 S * 2/2017 Xiao D12/16.1
9,682,772 B2 * 6/2017 Yoon B60F 5/02
D797,859 S * 9/2017 Caubel D21/441
D808,301 S * 1/2018 Goldy D12/16.1
D843,920 S * 3/2019 Hernadi D12/345
D844,538 S * 4/2019 Hernadi D12/345
D851,540 S * 6/2019 Tompkin D12/16.1
D858,352 S * 9/2019 Gan D12/16.1
D871,307 S * 12/2019 Bodie D12/345
2015/0321759 A1 * 11/2015 Caubel B64C 39/024
244/17.23

(21) Appl. No.: **29/675,768**
(22) Filed: **Jan. 4, 2019**
(51) **LOC (12) Cl.** **12-07**
(52) **U.S. Cl.**
USPC **D12/345**; D12/16.1
(58) **Field of Classification Search**
USPC D12/1, 2, 3, 4, 16.1, 319-345;
D21/437-455
CPC B64C 29/0033; B64C 2201/021; B64C
29/02; B64C 2201/088; B64C 2201/104;
B64C 2201/141
See application file for complete search history.

* cited by examiner

Primary Examiner — Marissa J Cash
(74) *Attorney, Agent, or Firm* — Studebaker & Brackett
PC

(56) **References Cited**
U.S. PATENT DOCUMENTS
D275,021 S * 8/1984 Brzack D21/453
D594,810 S * 6/2009 Cazals D12/345
D741,751 S * 10/2015 Klaptocz D12/16.1
D756,842 S * 5/2016 Ashjaee D12/16.1
D767,043 S * 9/2016 Morrison D12/16.1

(57) **CLAIM**
The ornamental design for a drone, as shown and described.

DESCRIPTION
FIG. 1 is a front, top and right-side perspective view of a drone showing my new design;
FIG. 2 is a front view thereof;
FIG. 3 is a rear view thereof;
FIG. 4 is a left side view thereof;
FIG. 5 is a right side view thereof;
FIG. 6 is a top plane view thereof; and,
FIG. 7 is a bottom plane view thereof.
The broken lines shown represent unclaimed portions of the drone and form no part of the claimed design.

1 Claim, 5 Drawing Sheets

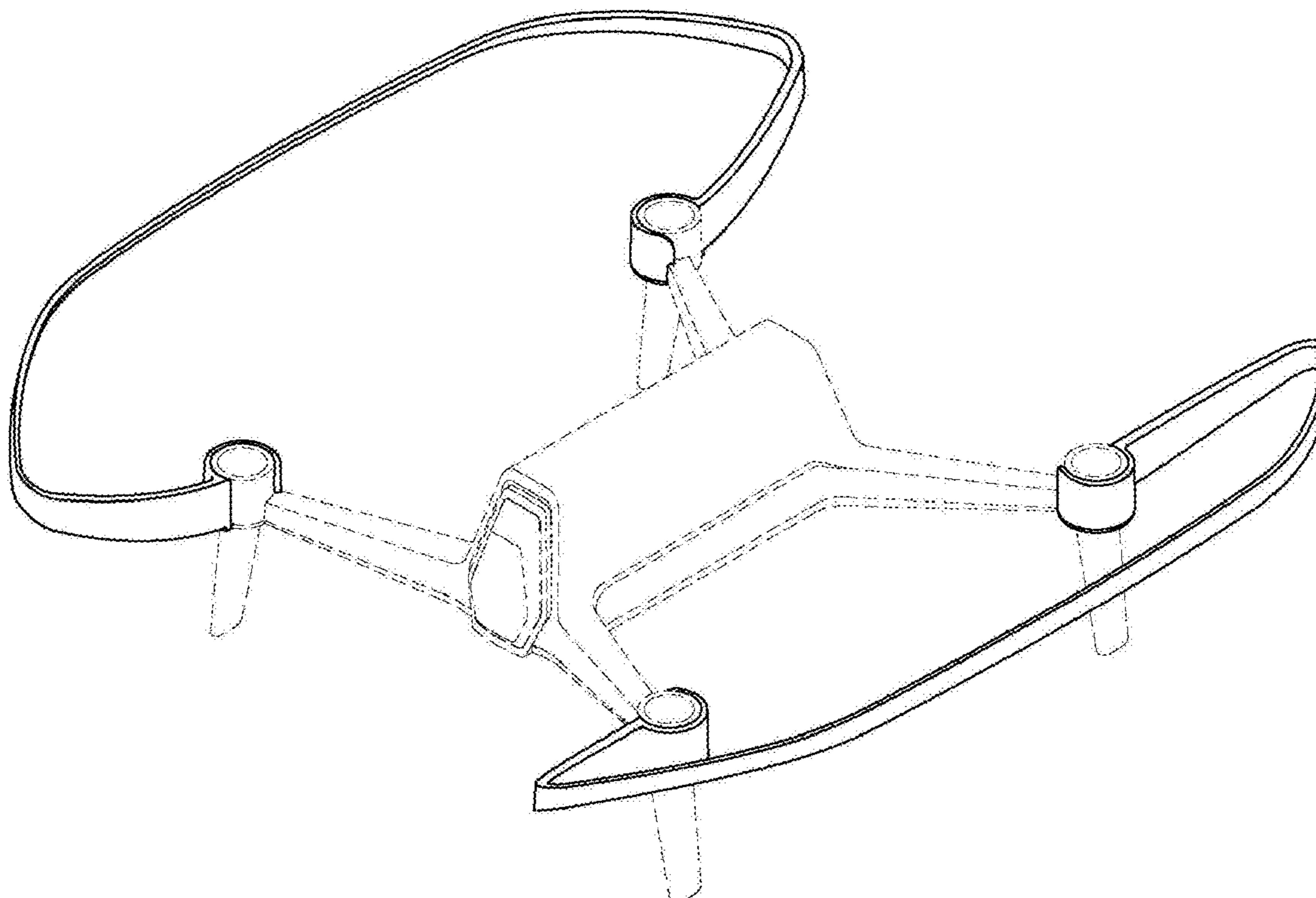


FIG. 1

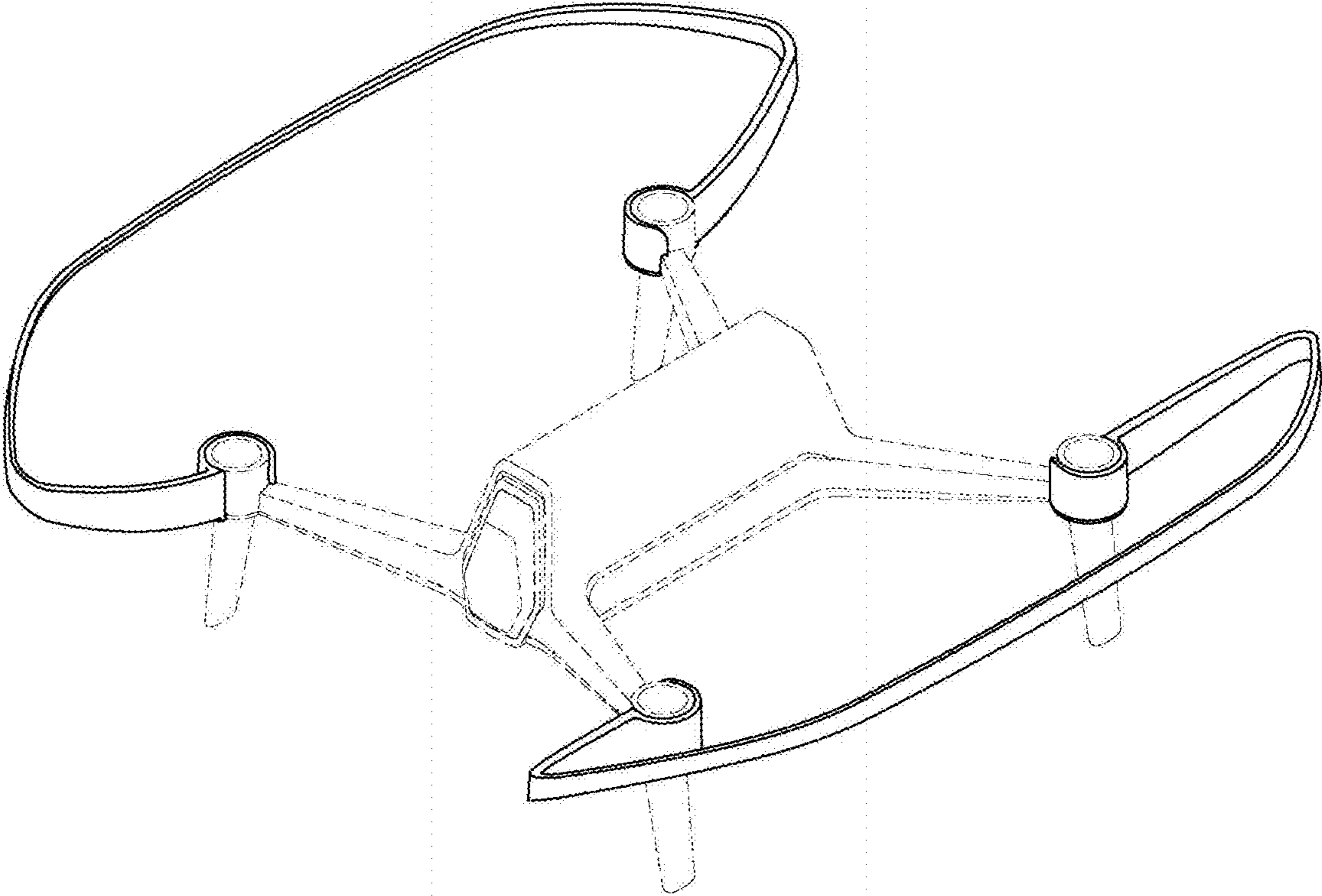


FIG. 2

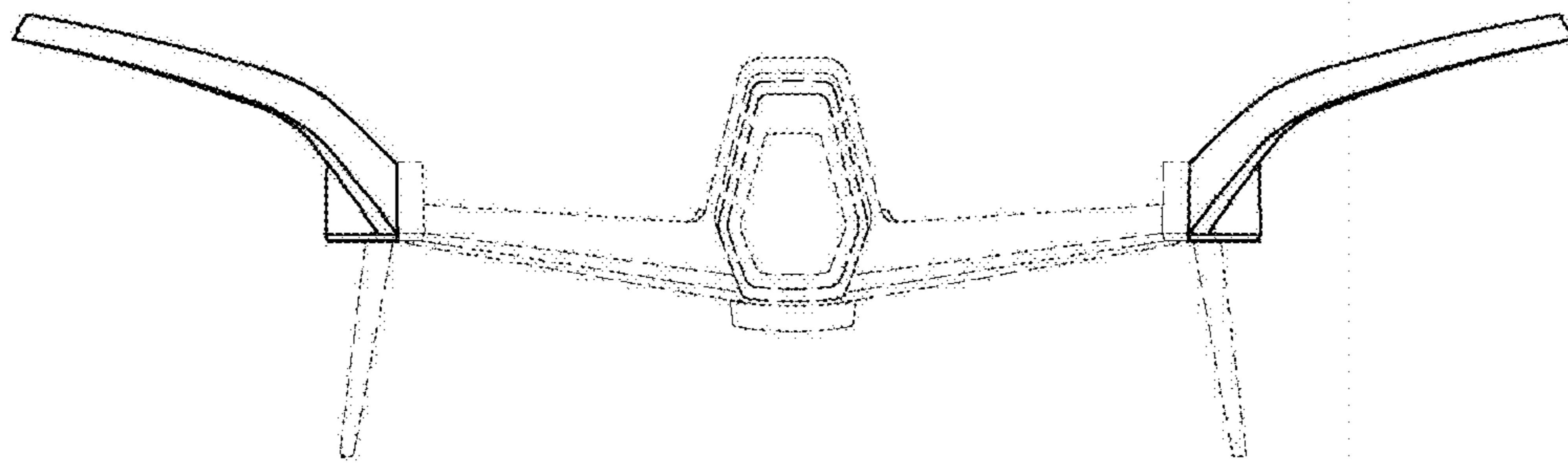


FIG. 3

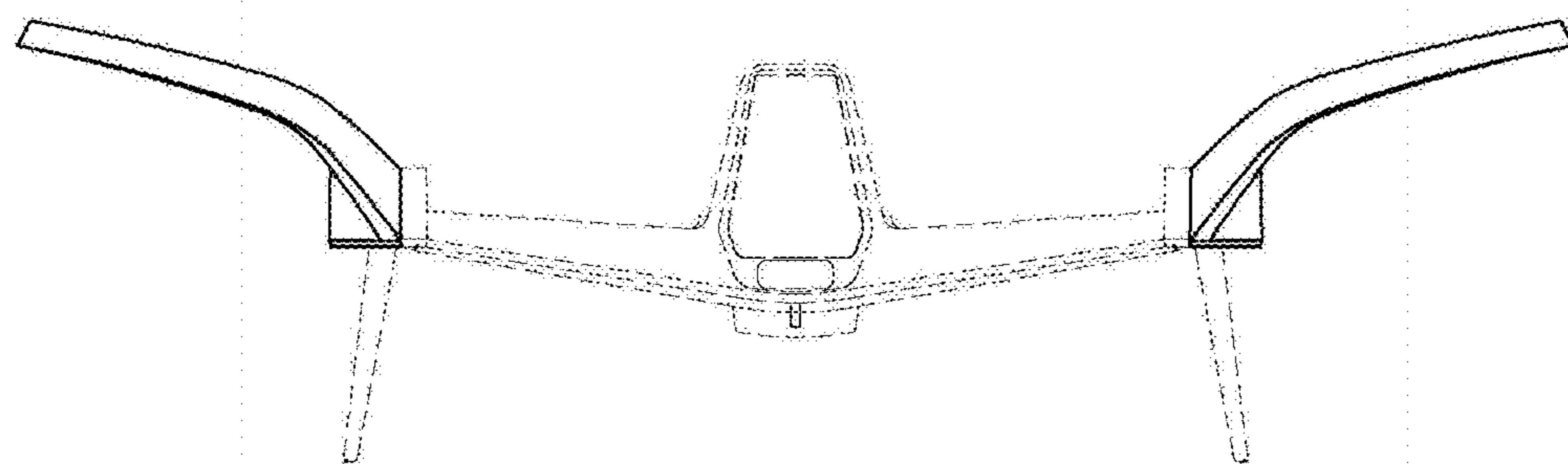


FIG. 4

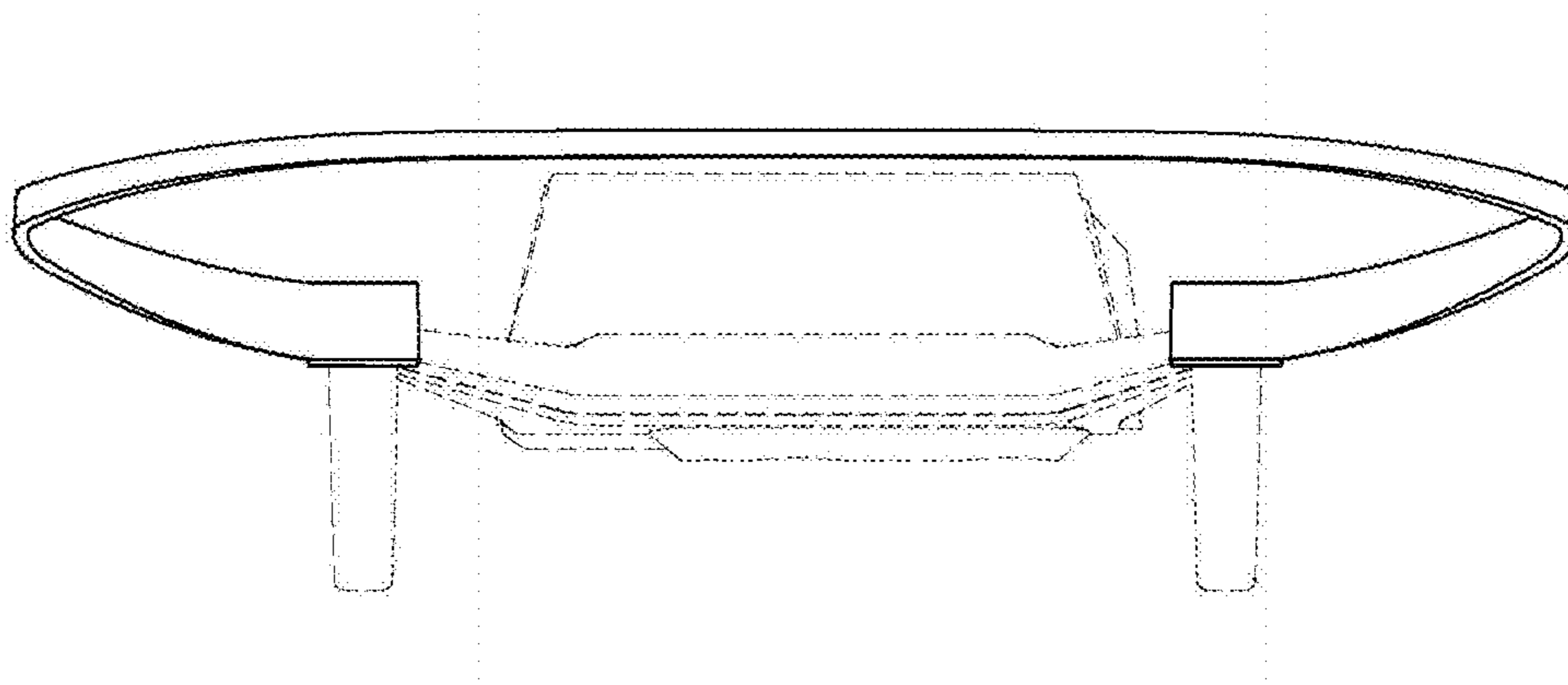


FIG. 5

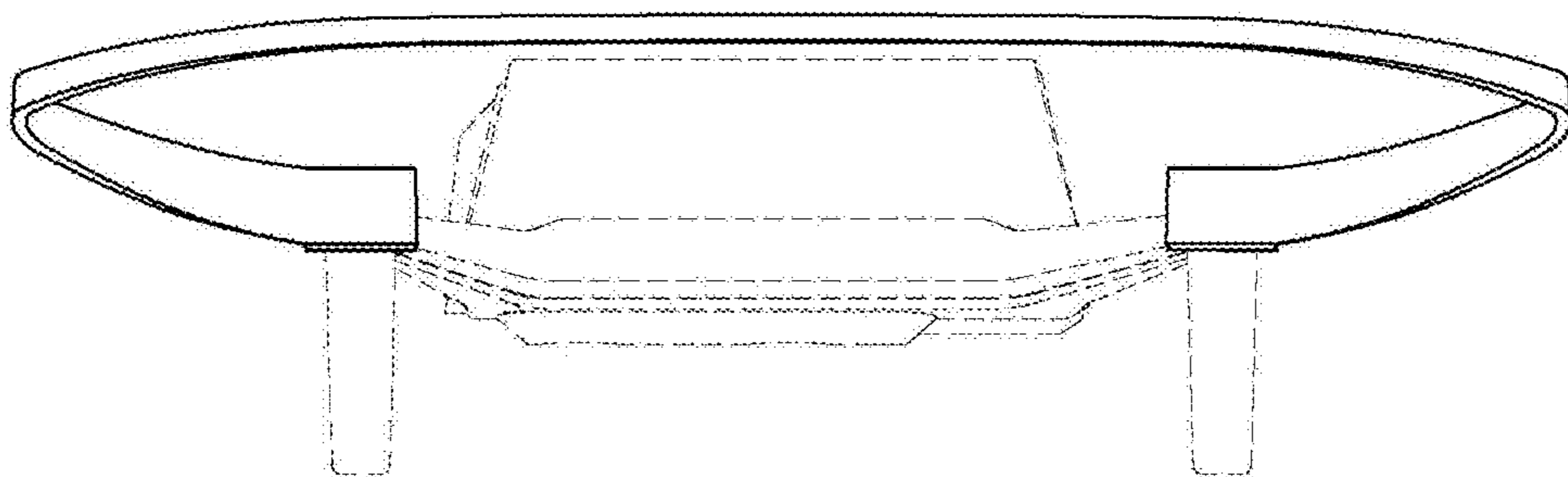


FIG. 6

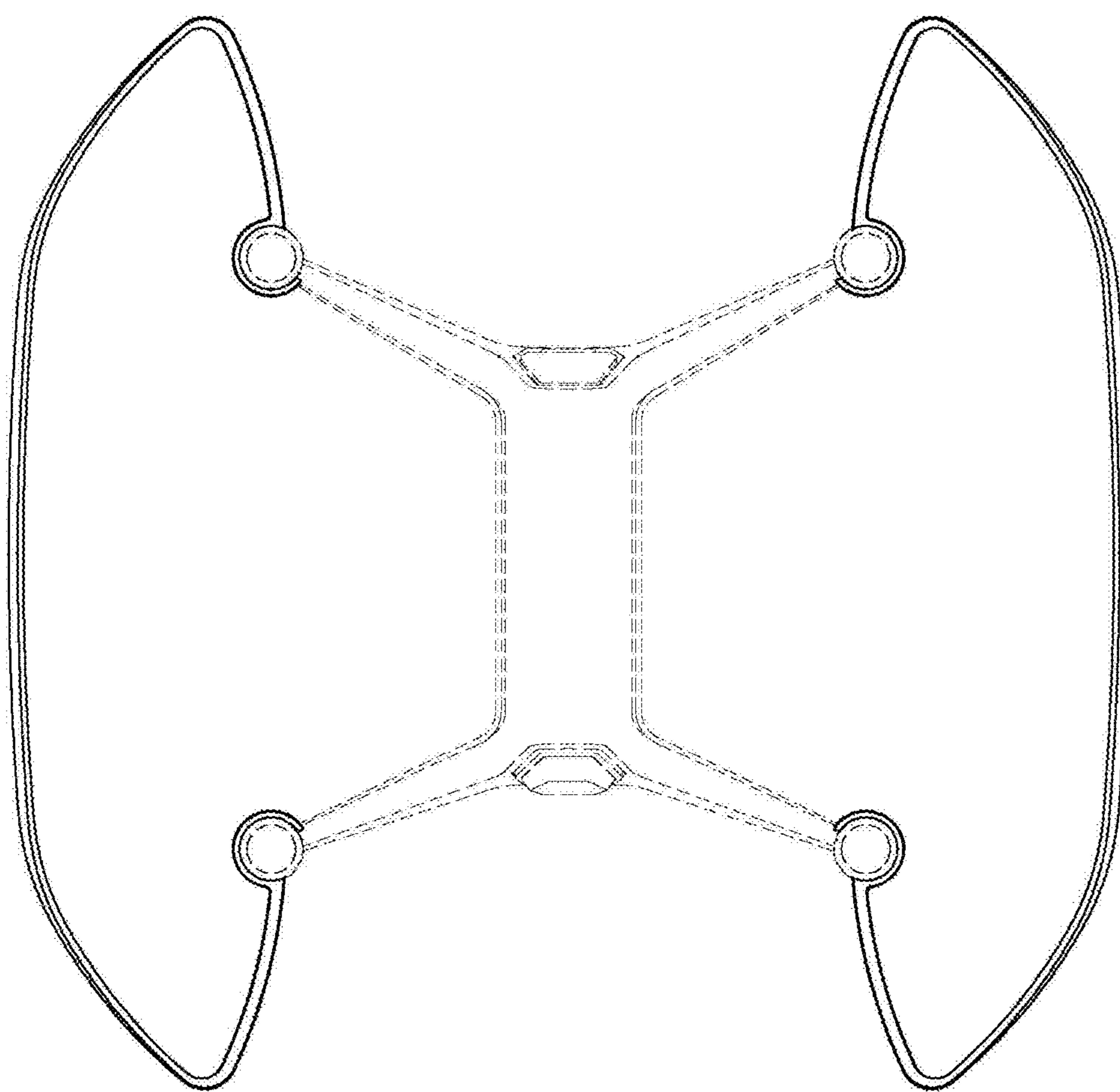


FIG. 7

