



US00D891354S

(12) **United States Design Patent**
Grande

(10) **Patent No.:** **US D891,354 S**

(45) **Date of Patent:** **** Jul. 28, 2020**

(54) **AIRPLANE**

(71) Applicant: **TA BRASIL CONSULTORIA
EMPRESARIAL LTDA**, Campinas
(BR)

(72) Inventor: **Matheus de Moura Doria Grande**,
Campinas (BR)

(73) Assignee: **TA BRASIL CONSULTORIA
EMPRESARIAL LTDA**, Campinas-SP
(BR)

(**) Term: **15 Years**

(21) Appl. No.: **29/684,023**

(22) Filed: **Mar. 18, 2019**

(30) **Foreign Application Priority Data**

Jan. 30, 2019 (BR) 30 2019 000385 6

(51) **LOC (12) Cl.** **12-07**

(52) **U.S. Cl.**
USPC **D12/319**

(58) **Field of Classification Search**
USPC D12/1, 2, 3, 4, 16.1, 319-345;
D21/437-455
CPC B64C 29/0033; B64C 2201/021; B64C
29/02; B64C 2201/088; B64C 2201/104;
B64C 2201/141
See application file for complete search history.

(56) **References Cited**

U.S. PATENT DOCUMENTS

D80,331 S * 1/1930 Rubel D21/450
D613,202 S * 4/2010 Rodriguez D12/3

D620,838 S * 8/2010 Miralles D12/3
D621,774 S * 8/2010 Betsch D12/344
D628,528 S * 12/2010 Cabezas Carrasco D12/319
D642,968 S * 8/2011 Zhao D12/344
D690,254 S * 9/2013 Manzhelii D12/319
D710,782 S * 8/2014 Cummings D12/326
D795,160 S * 8/2017 Koppenwallner D12/343
D799,402 S * 10/2017 Cummings D12/327
D807,273 S * 1/2018 Koppenwallner D12/337
D809,448 S * 2/2018 Schmiderer D12/344
D832,141 S * 10/2018 Ferner D12/16.1
D833,364 S * 11/2018 Schmiderer D12/344
10,124,890 B2 * 11/2018 Sada-Salinas B64C 29/0025
D845,169 S * 4/2019 Cui D12/16.1
D850,357 S * 6/2019 Cummings D12/326

* cited by examiner

Primary Examiner — Marissa J Cash

(74) *Attorney, Agent, or Firm* — B. Aaron Schulman,
Esq.; Stites & Harbison, PLLC

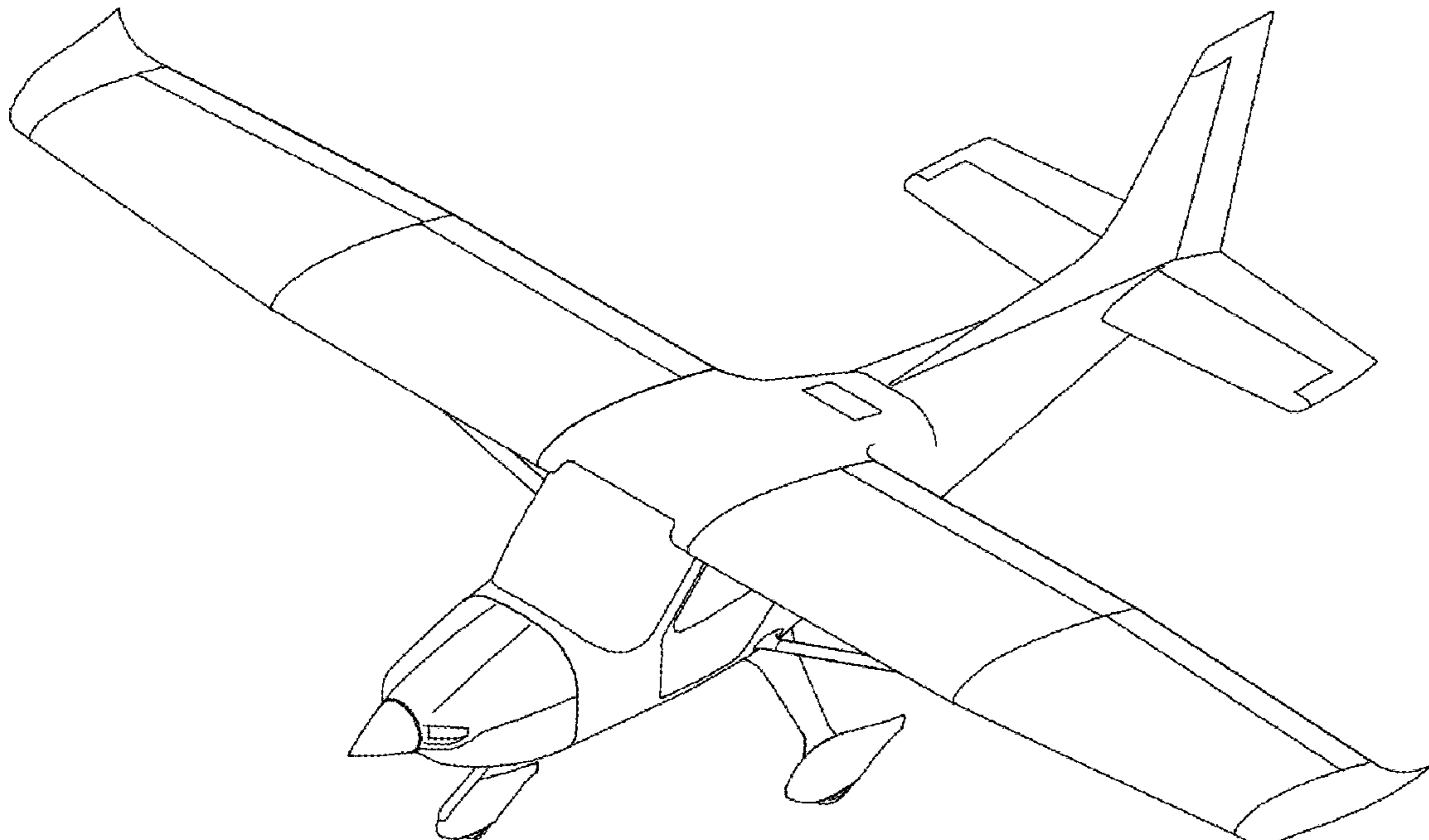
(57) **CLAIM**

The ornamental design for an airplane, as shown and described.

DESCRIPTION

FIG. 1 is a front view showing the new design for the airplane;
FIG. 2 is a back view thereof;
FIG. 3 is a left side view thereof;
FIG. 4 is a right side view thereof;
FIG. 5 is a top view thereof;
FIG. 6 is a bottom view thereof; and,
FIG. 7 is a front, top and side perspective view thereof.

1 Claim, 4 Drawing Sheets



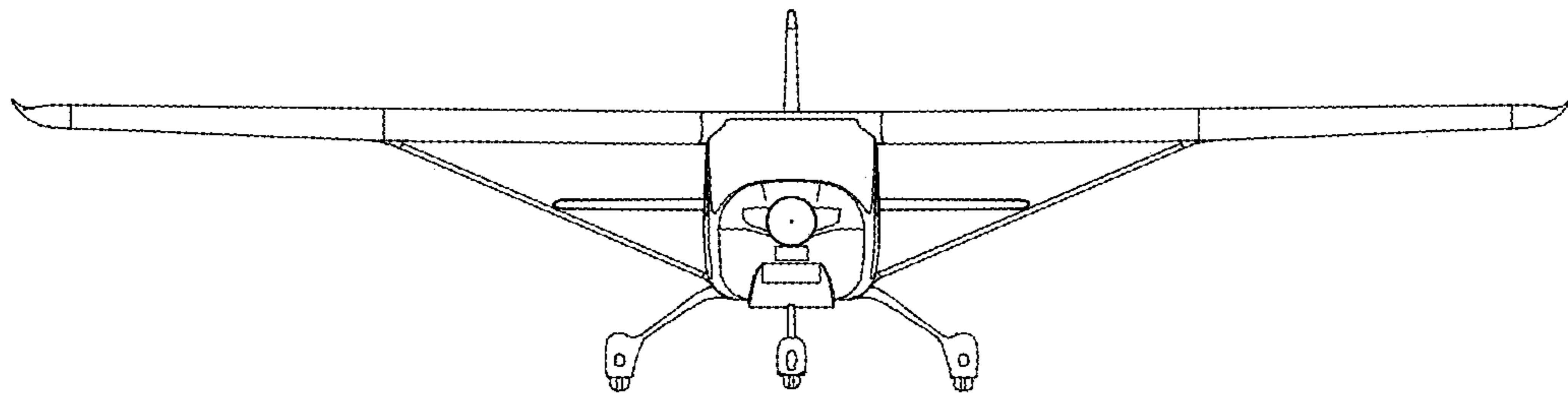


FIG. 1

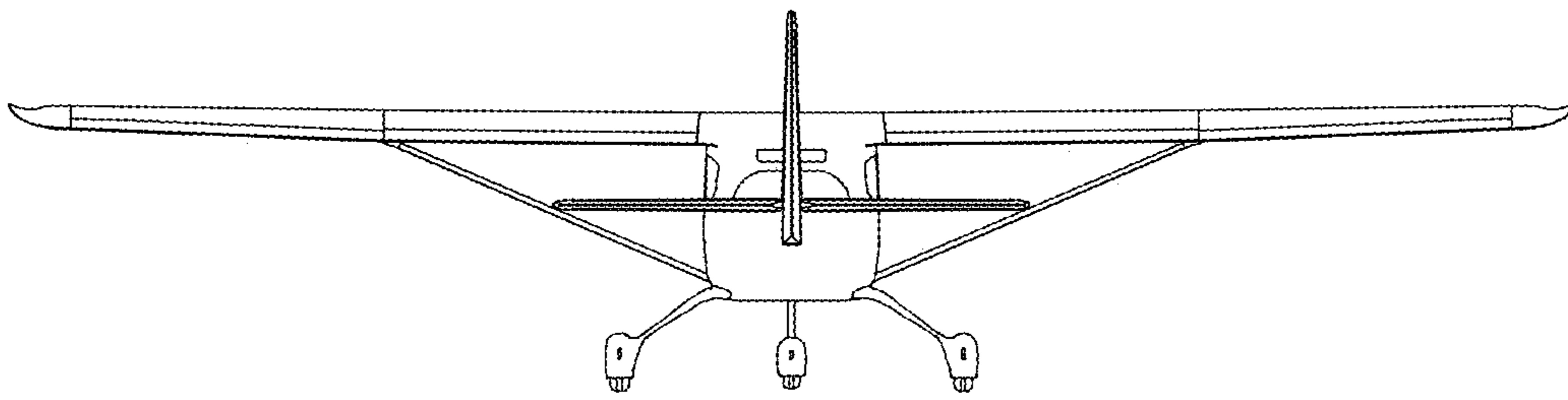
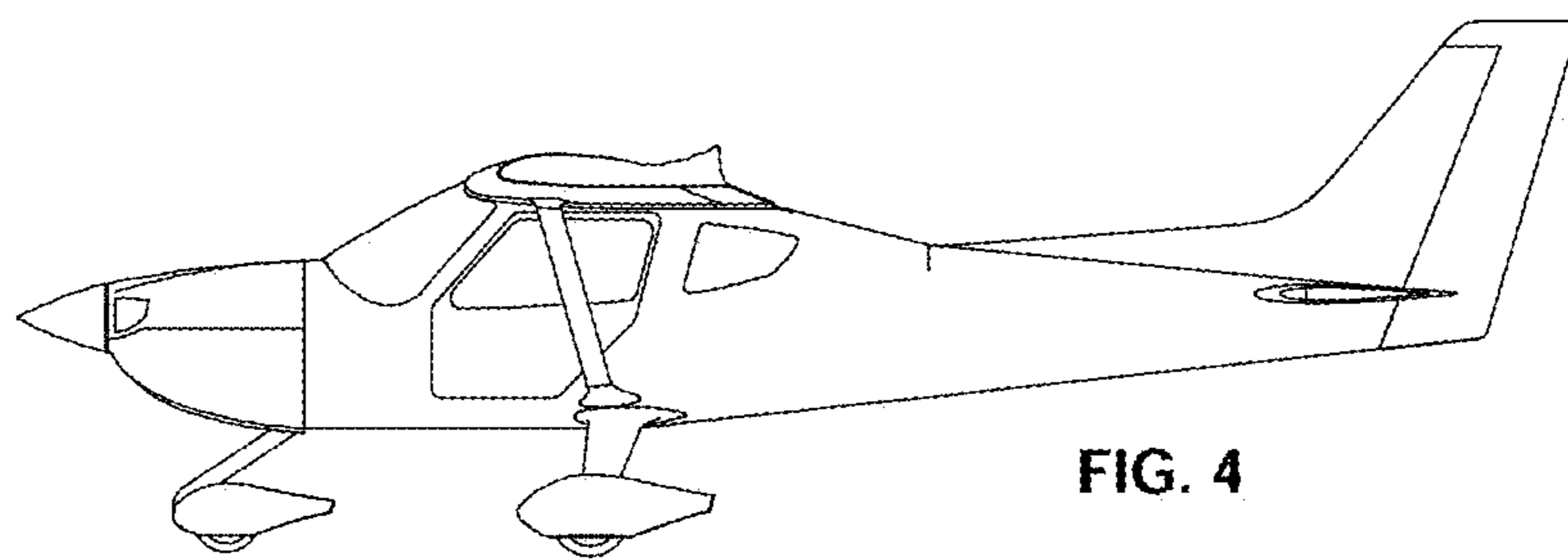
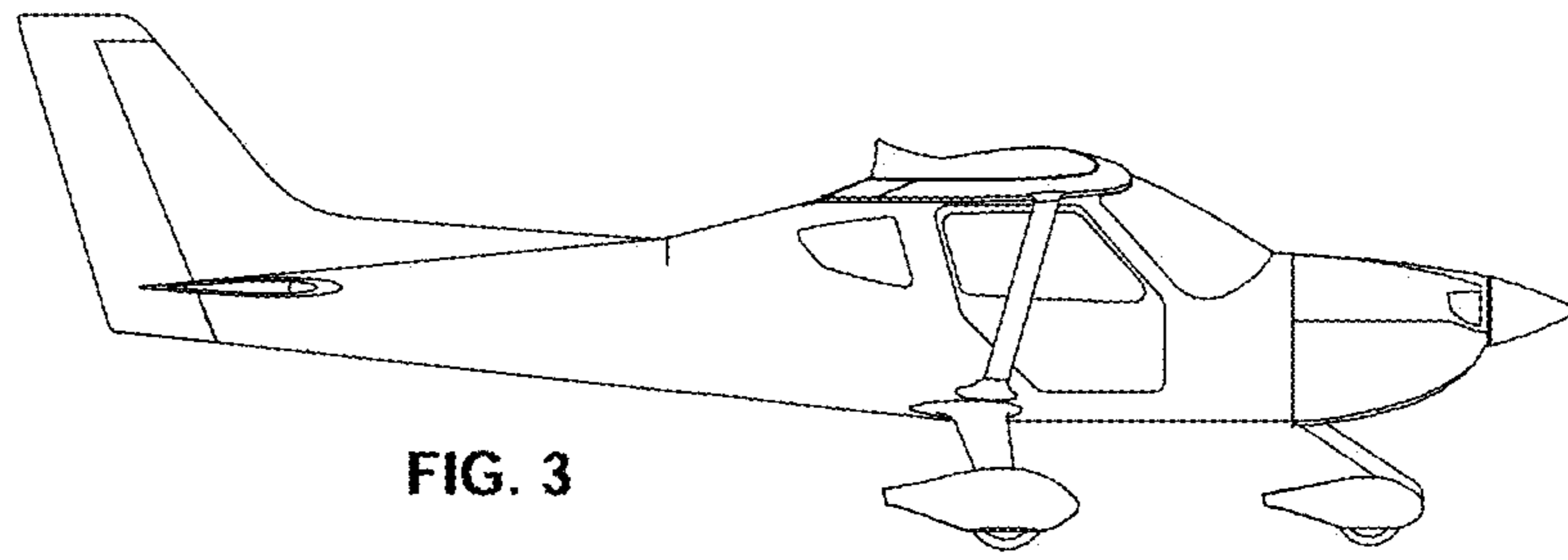


FIG. 2



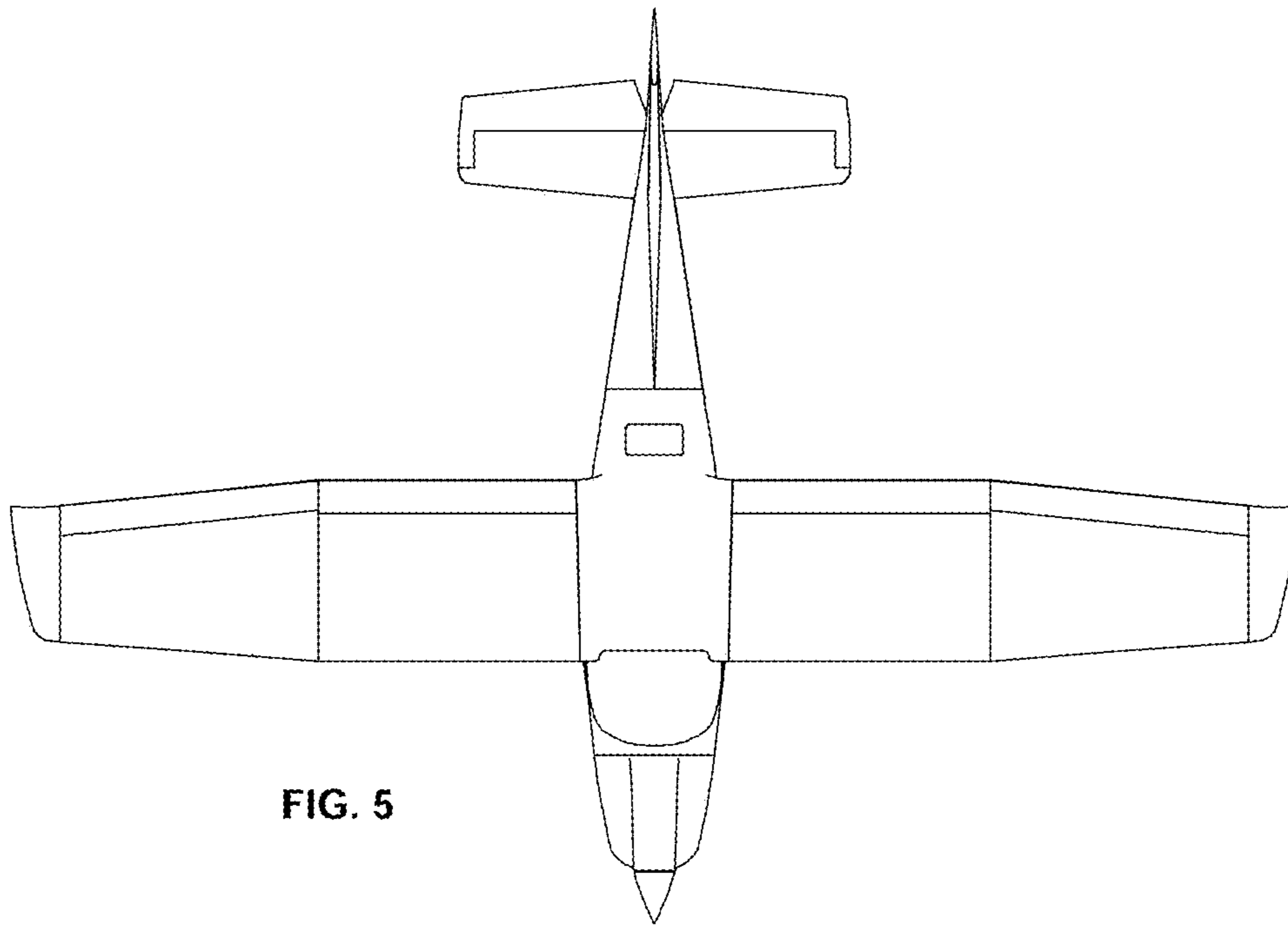


FIG. 5

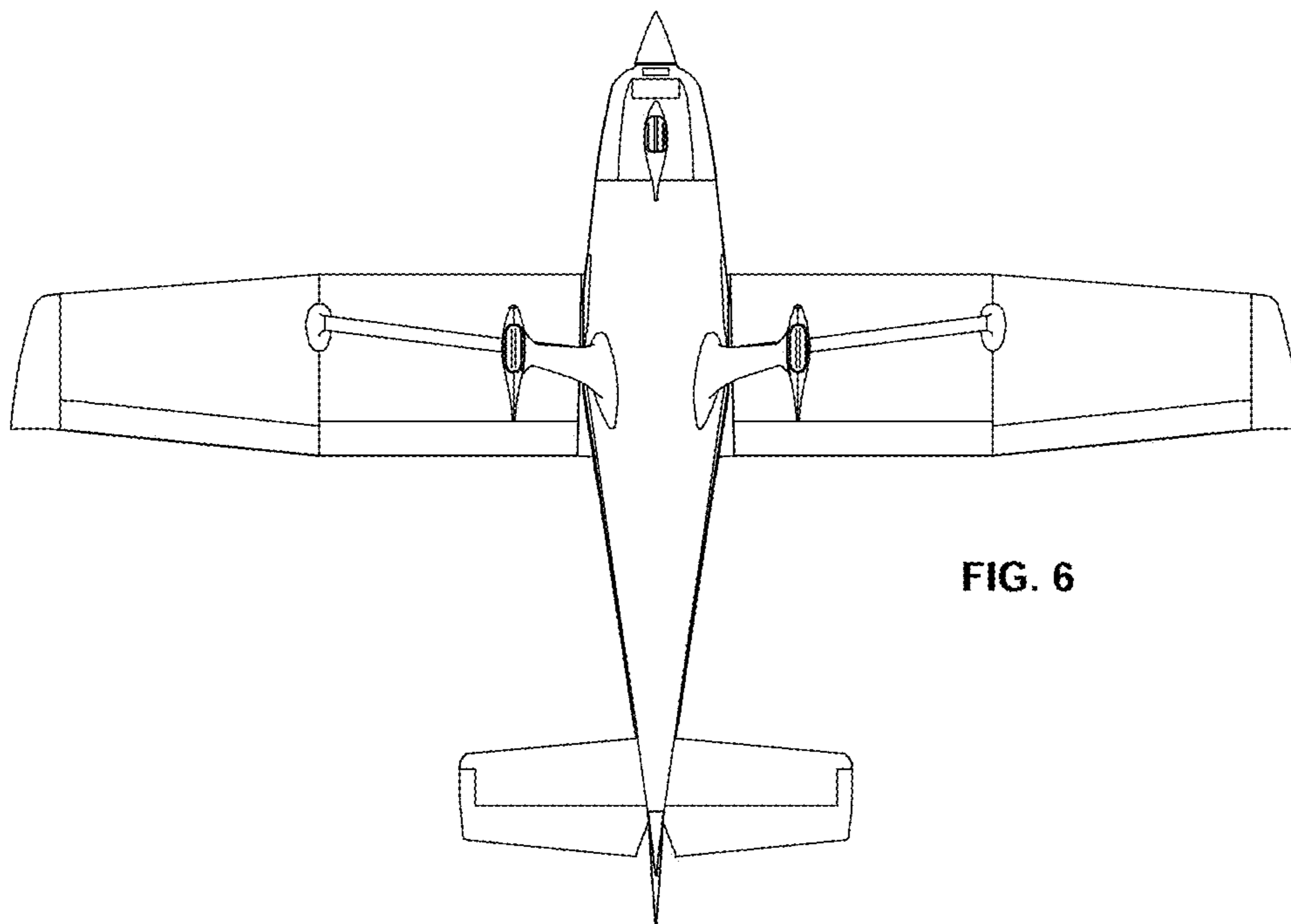


FIG. 6

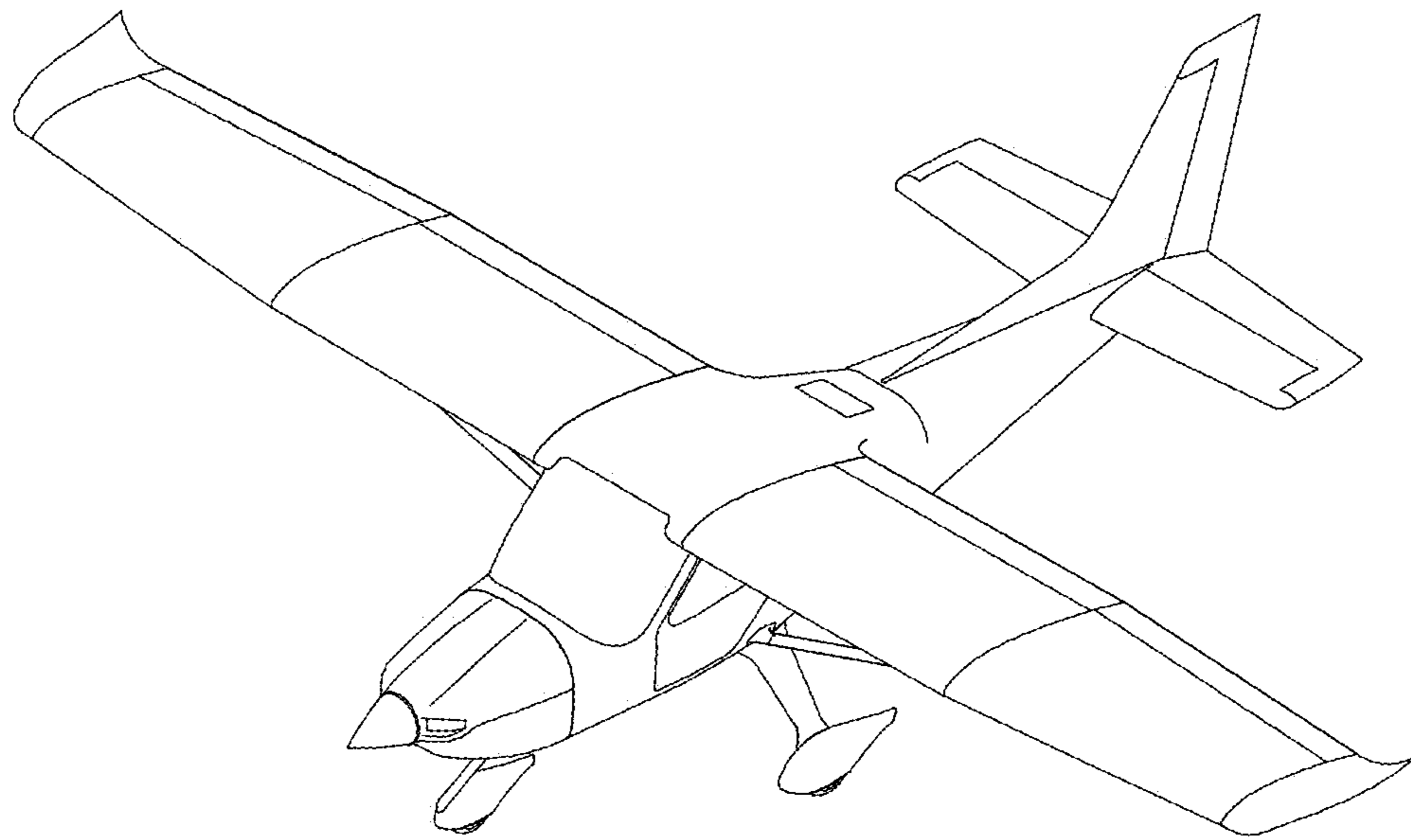


FIG. 7