



US00D891349S

(12) **United States Design Patent**
Buck

(10) **Patent No.:** **US D891,349 S**

(45) **Date of Patent:** **** Jul. 28, 2020**

(54) **WHEEL**

(71) Applicant: **Jaguar Land Rover Limited**, Whitley,
Coventry (GB)

(72) Inventor: **Joe Buck**, Coventry (GB)

(73) Assignee: **Jaguar Land Rover Limited**, Whitley,
Coventry

(**) Term: **15 Years**

(21) Appl. No.: **29/716,080**

(22) Filed: **Dec. 6, 2019**

Related U.S. Application Data

(62) Division of application No. 29/627,052, filed on Nov.
22, 2017, now Pat. No. Des. 873,755.

Foreign Application Priority Data

Sep. 18, 2017 (EM) 004360626

(51) **LOC (12) Cl.** **12-16**

(52) **U.S. Cl.**
USPC **D12/209**

(58) **Field of Classification Search**

USPC D12/204-213; D21/563
CPC B60B 7/00; B60B 7/02; B60B 7/04; B60B
7/01; B60B 7/06; B60B 3/02; B60B 3/04;
B60B 3/06; B60B 3/10; B60B 1/00;
B60B 1/08; B60B 1/10; B60B 1/12
See application file for complete search history.

(56) **References Cited**

U.S. PATENT DOCUMENTS

D427,558 S *	7/2000	Neeper	D12/211
D708,112 S *	7/2014	Mays	D12/211
D734,704 S *	7/2015	Juergens	D12/211
D748,558 S *	2/2016	Hans	D12/211
D780,657 S *	3/2017	Welte	D12/211
D780,658 S *	3/2017	Welte	D12/211
D810,646 S *	2/2018	Heizmann	D12/209
D825,426 S *	8/2018	Myrberg	D12/209
D826,128 S *	8/2018	Groth	D12/209
D844,527 S *	4/2019	Licklitter	D12/209
D853,931 S *	7/2019	Khachatryan	D12/209
D864,078 S *	10/2019	Khachatryan	D12/211
D873,755 S *	1/2020	Buck	D12/209
D873,757 S *	1/2020	Buckingham	D12/211

* cited by examiner

Primary Examiner — Stacia A Cadmus

(74) *Attorney, Agent, or Firm* — Wood Herron & Evans
LLP

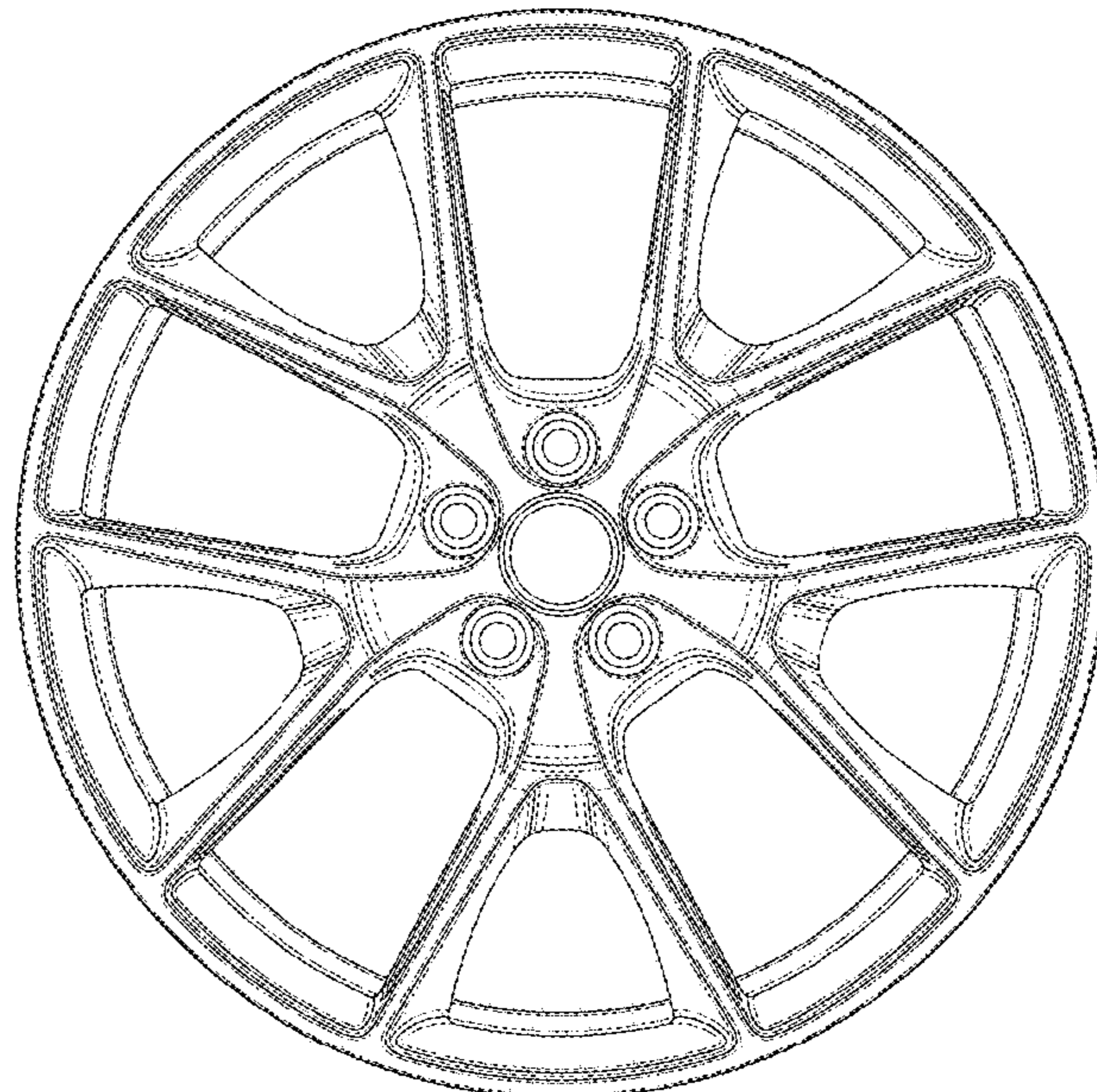
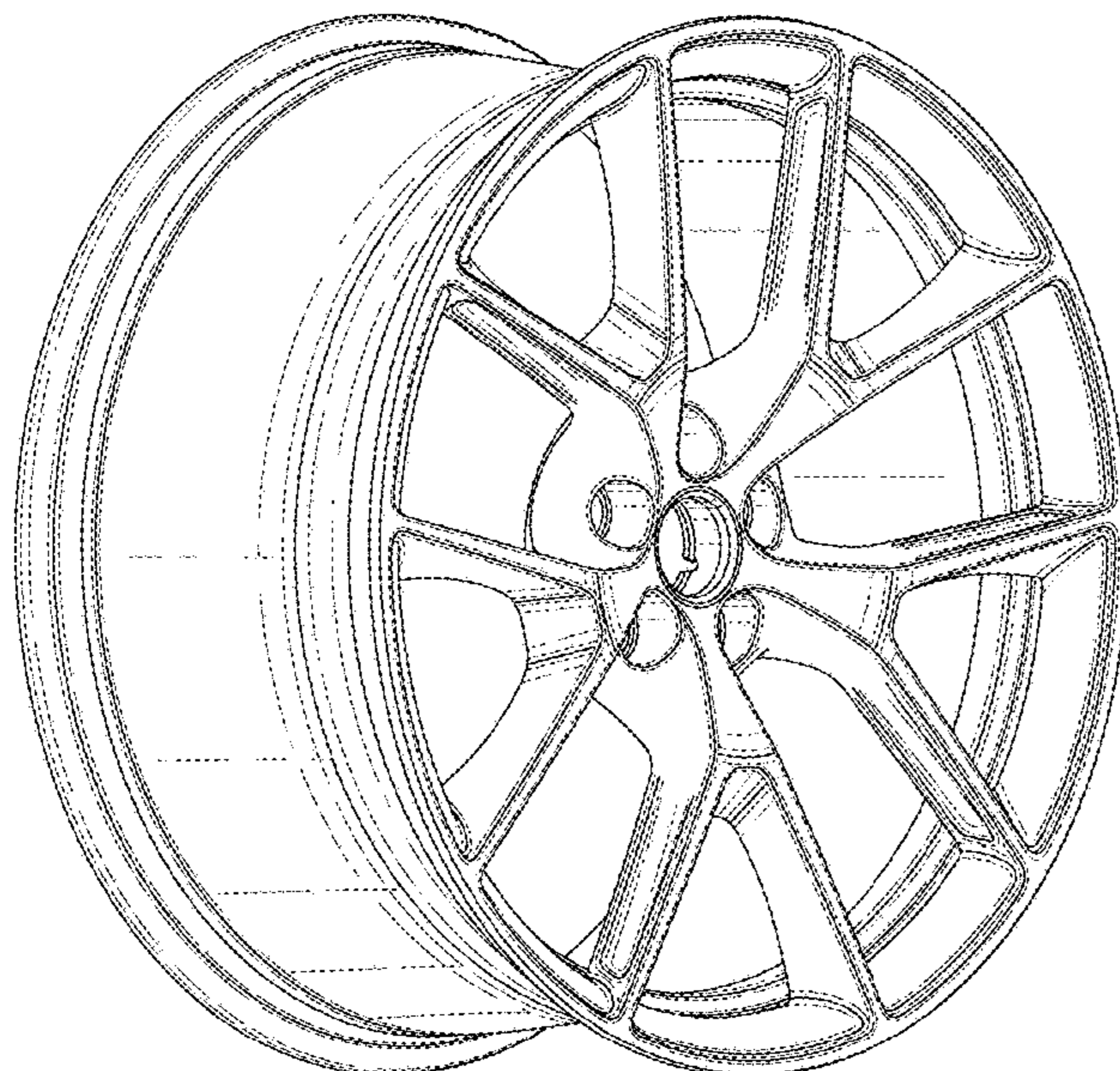
(57) **CLAIM**

The ornamental design for a wheel, as shown and described.

DESCRIPTION

FIG. 1 is a front left perspective view of a wheel according to the present invention;
FIG. 2 is a rear left perspective view of the wheel shown in FIG. 1.
FIG. 3 is a front view thereof.
FIG. 4 is a rear view thereof; and,
FIG. 5 is a left side view thereof, the right side being a mirror image thereof.

1 Claim, 5 Drawing Sheets



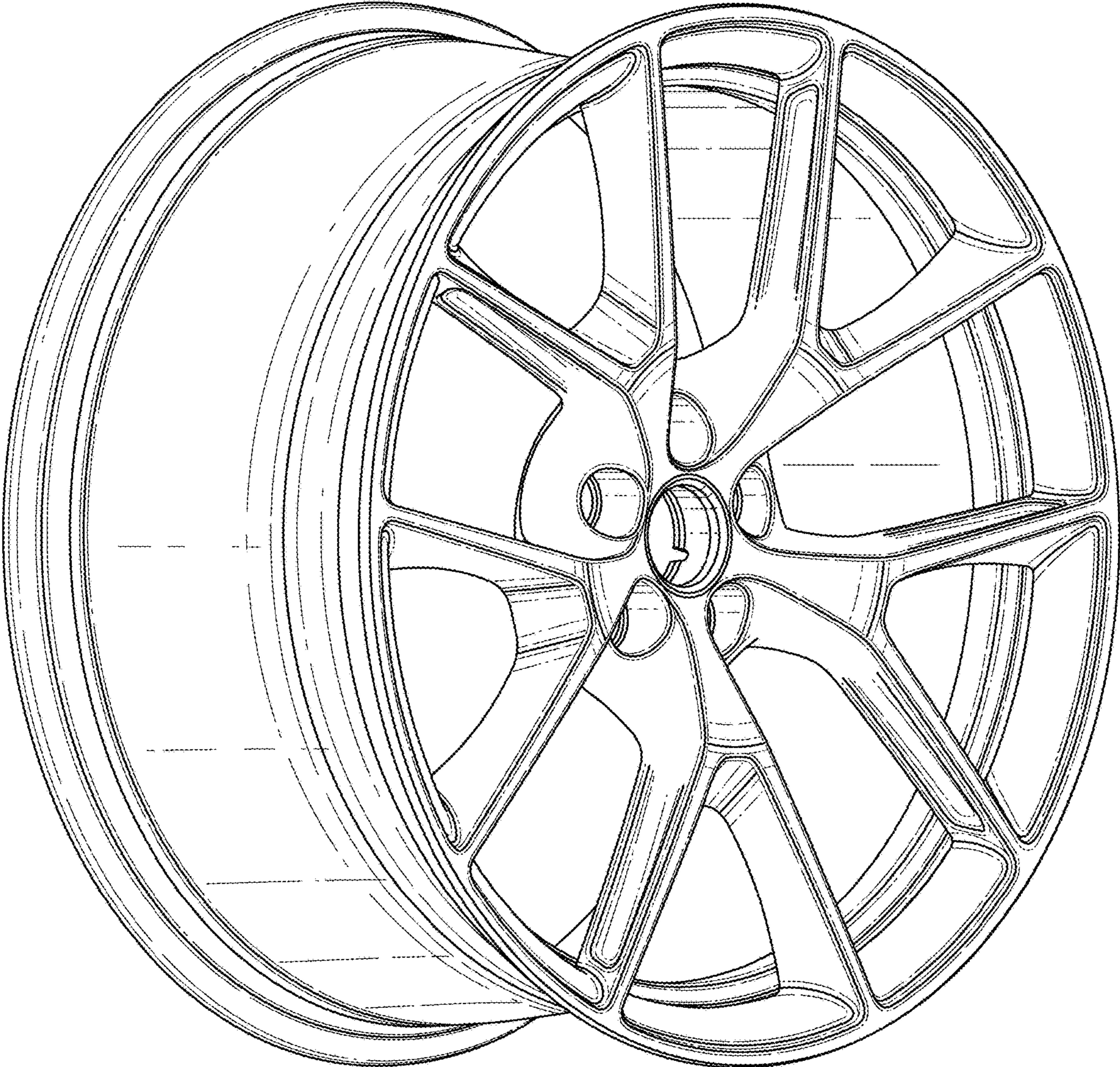


FIG. 1

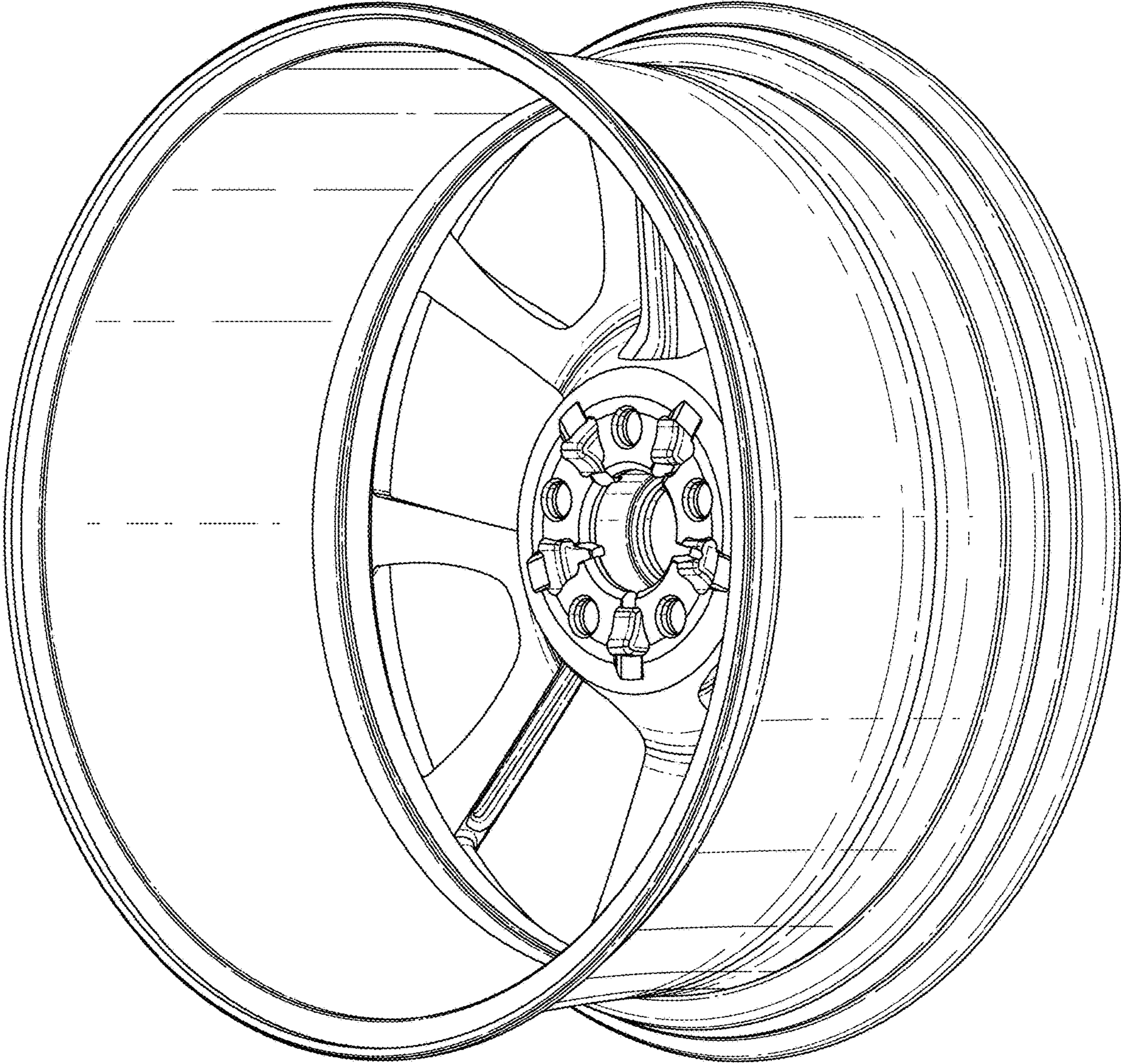


FIG. 2

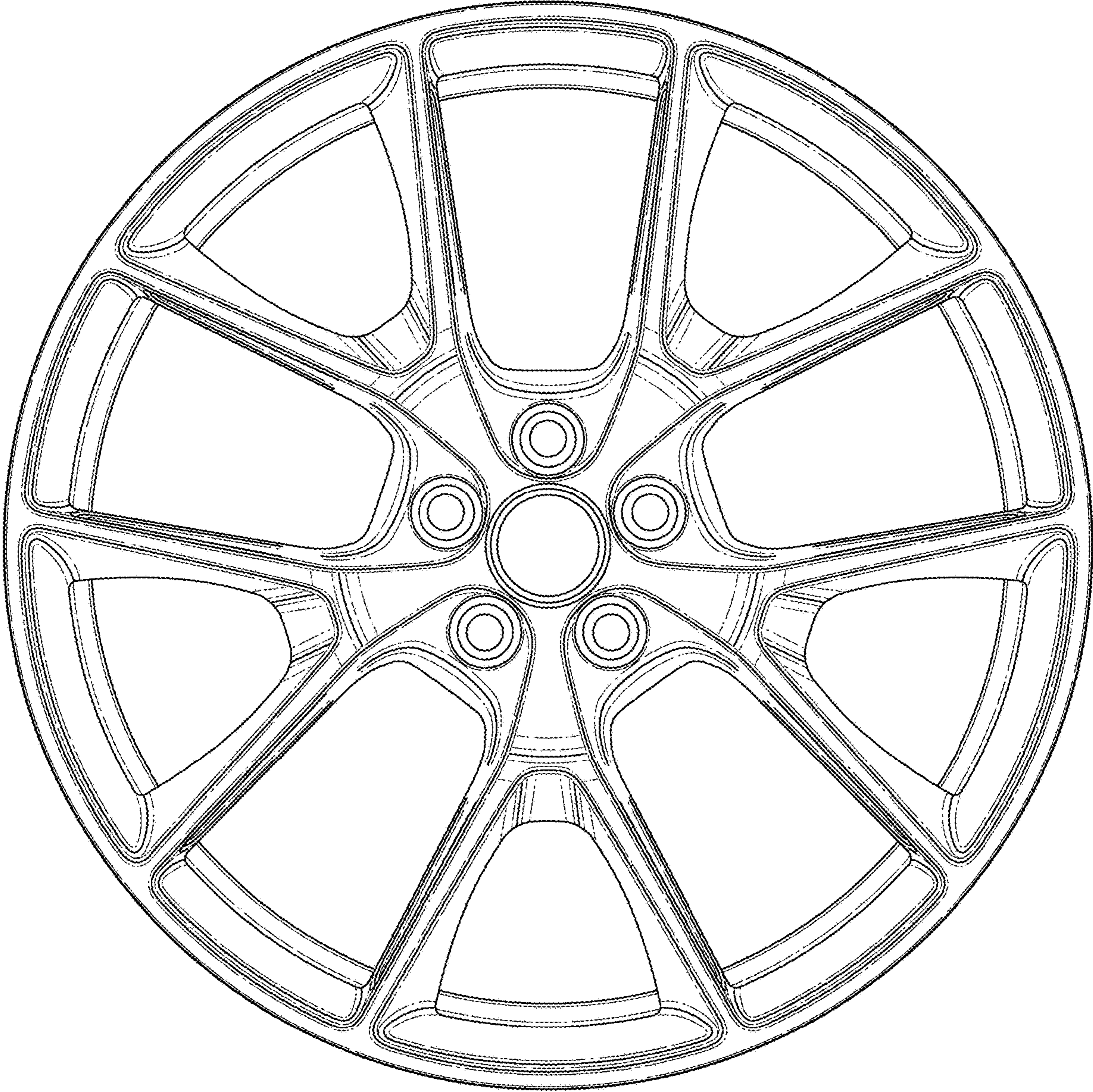


FIG. 3

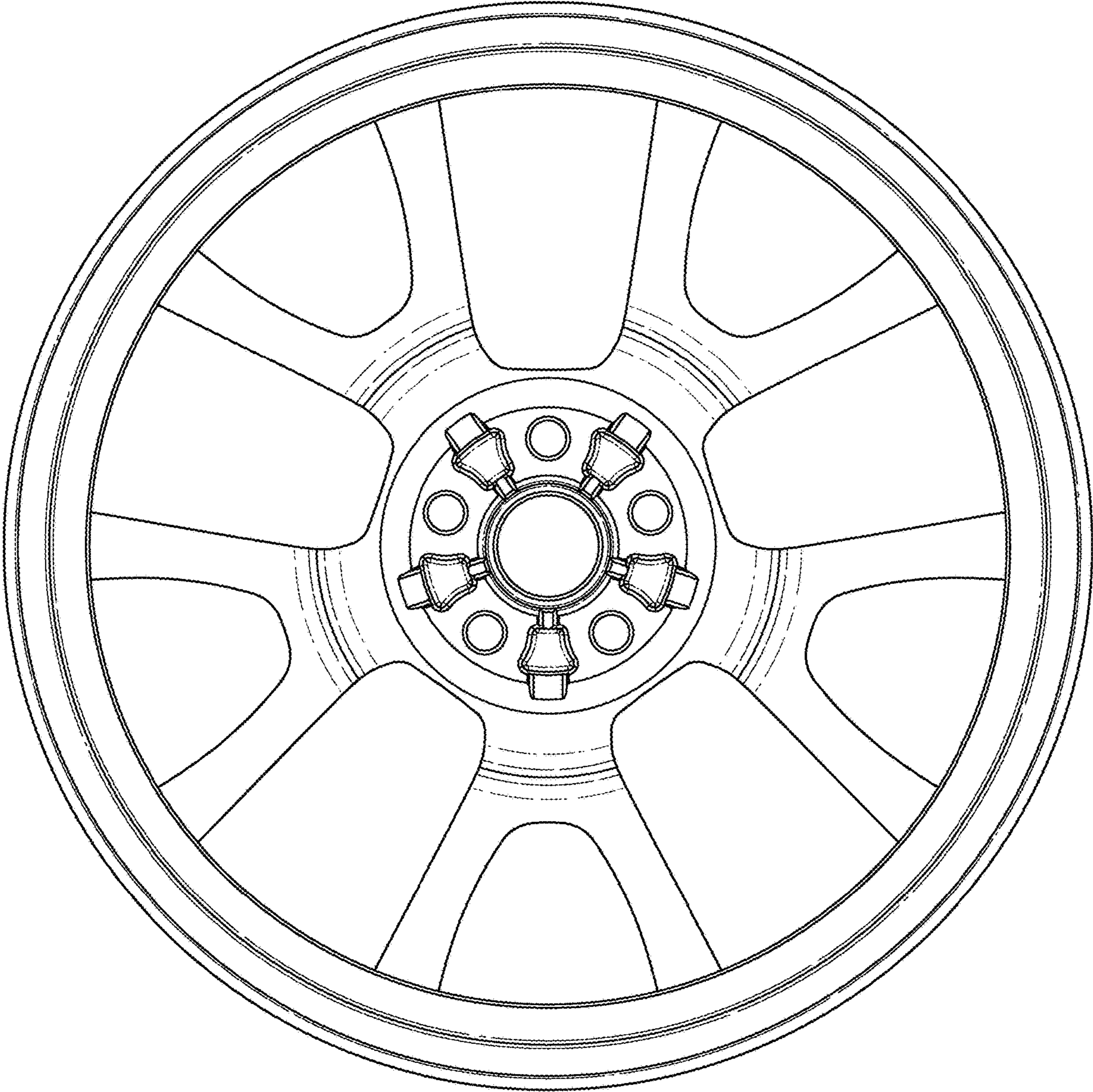


FIG. 4

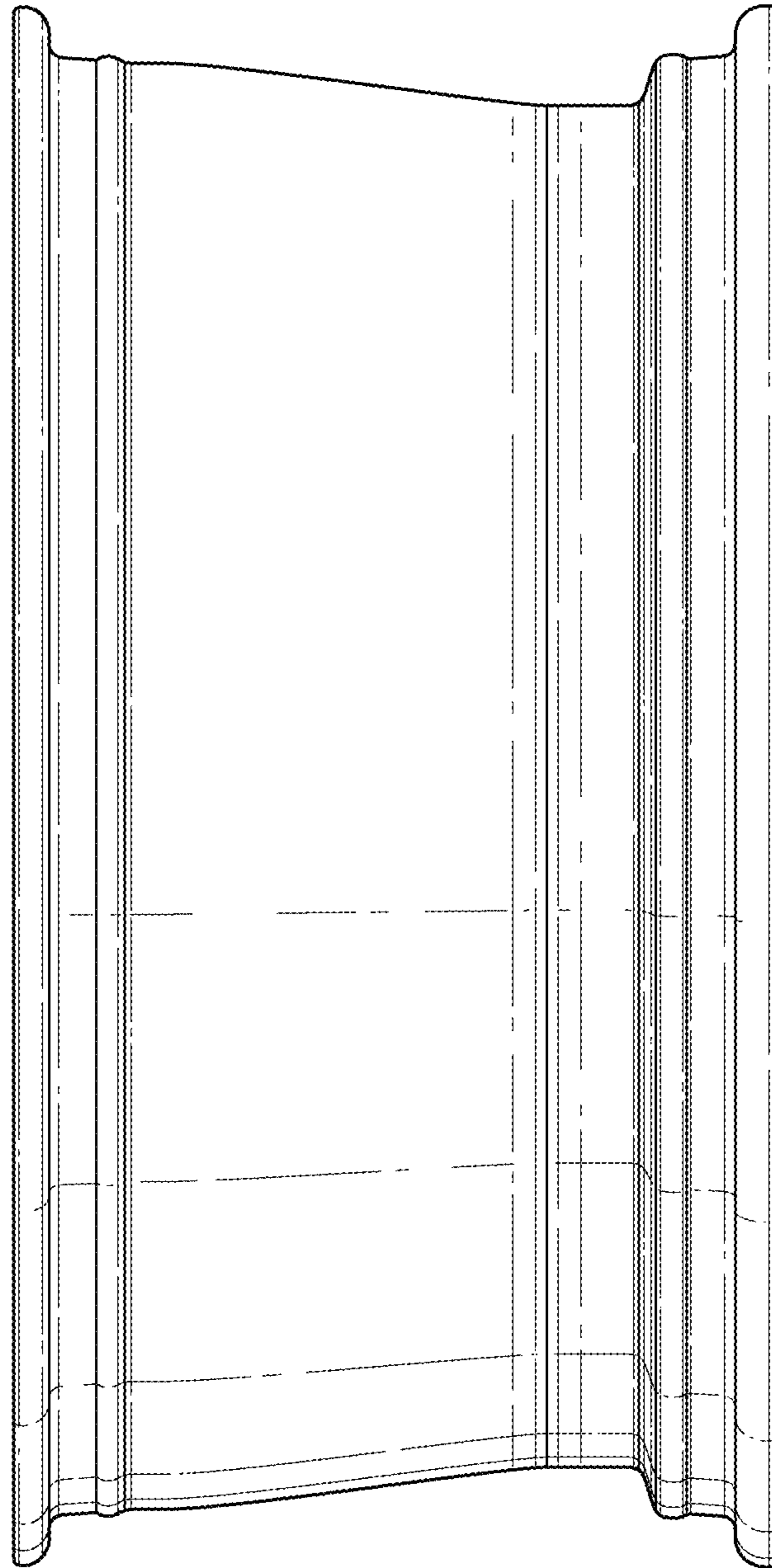


FIG. 5