



US00D891346S

(12) **United States Design Patent**  
**Glover et al.**

(10) **Patent No.:** **US D891,346 S**

(45) **Date of Patent:** **\*\* Jul. 28, 2020**

(54) **WHEEL**

(71) Applicants: **Jeremy Glover**, Clawson, MI (US);  
**Gregory A. Howell**, Farmington, MI (US)

(72) Inventors: **Jeremy Glover**, Clawson, MI (US);  
**Gregory A. Howell**, Farmington, MI (US)

(73) Assignee: **FCA US LLC**, Auburn Hills, MI (US)

(\*\*) Term: **15 Years**

(21) Appl. No.: **29/679,568**

(22) Filed: **Feb. 7, 2019**

(51) **LOC (12) Cl.** ..... **12-16**

(52) **U.S. Cl.**  
USPC ..... **D12/209**

(58) **Field of Classification Search**  
USPC ..... D12/204–213; D21/563  
CPC .... B60B 7/00; B60B 7/02; B60B 7/04; B60B 7/01;  
B60B 7/06; B60B 3/02; B60B 3/04; B60B 3/06;  
B60B 3/10; B60B 1/00; B60B 1/08; B60B 1/10; B60B 1/12  
See application file for complete search history.

(56) **References Cited**

**U.S. PATENT DOCUMENTS**

D412,693 S	*	8/1999	Kulla	.....	D12/211
D461,155 S	*	8/2002	Takechi	.....	D12/209
D466,462 S	*	12/2002	Lee	.....	D12/209
D523,386 S	*	6/2006	Khan	.....	D12/209
D531,562 S	*	11/2006	Kim	.....	D12/209

D592,118 S	*	5/2009	Chung	.....	D12/209
D614,111 S	*	4/2010	Tant	.....	D12/211
D620,421 S	*	7/2010	Lamm	.....	D12/209
D689,000 S	*	9/2013	Platto	.....	D12/209
D706,695 S	*	6/2014	Platto	.....	D12/209
D706,699 S	*	6/2014	Platto	.....	D12/211
D706,700 S	*	6/2014	Platto	.....	D12/211
D715,208 S	*	10/2014	Grake	.....	D12/204
D740,198 S	*	10/2015	Barnes	.....	D12/211
D740,736 S	*	10/2015	Chung	.....	D12/211
D756,283 S	*	5/2016	Chan	.....	D12/209
D775,047 S	*	12/2016	Wheel	.....	D12/211
D782,950 S	*	4/2017	Hatton	.....	D12/209
D803,136 S	*	11/2017	Platto	.....	D12/211
D805,994 S	*	12/2017	Platto	.....	D12/211
D841,555 S	*	2/2019	Ma	.....	D12/209
D852,110 S	*	6/2019	Guidry	.....	D12/211
D861,564 S	*	10/2019	Dewitt	.....	D12/209
D871,297 S	*	12/2019	Myrberg	.....	D12/209

\* cited by examiner

*Primary Examiner* — Stacia A Cadmus

(74) *Attorney, Agent, or Firm* — Ralph E. Smith

(57) **CLAIM**

The ornamental design for a wheel, as shown and described.

**DESCRIPTION**

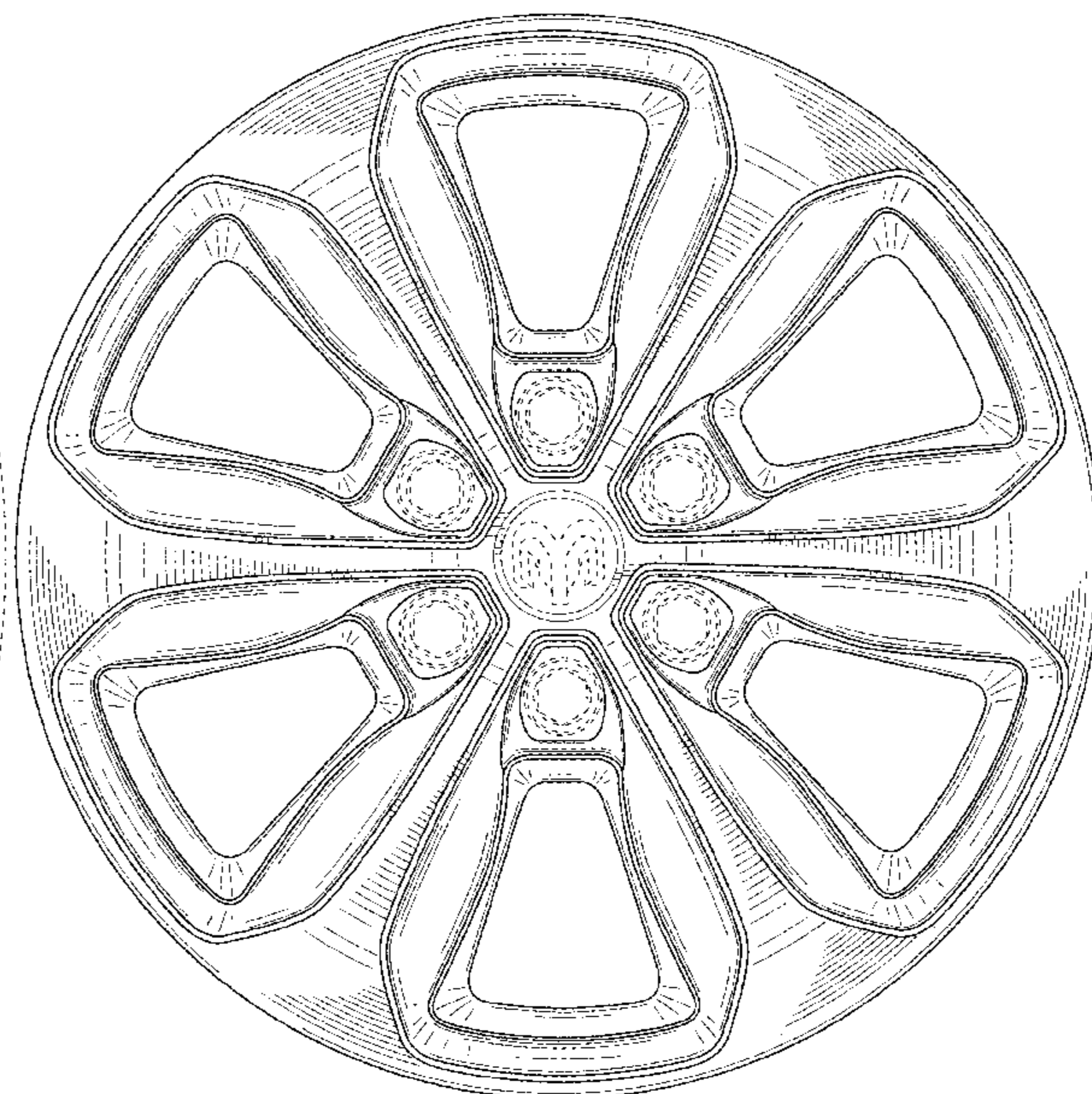
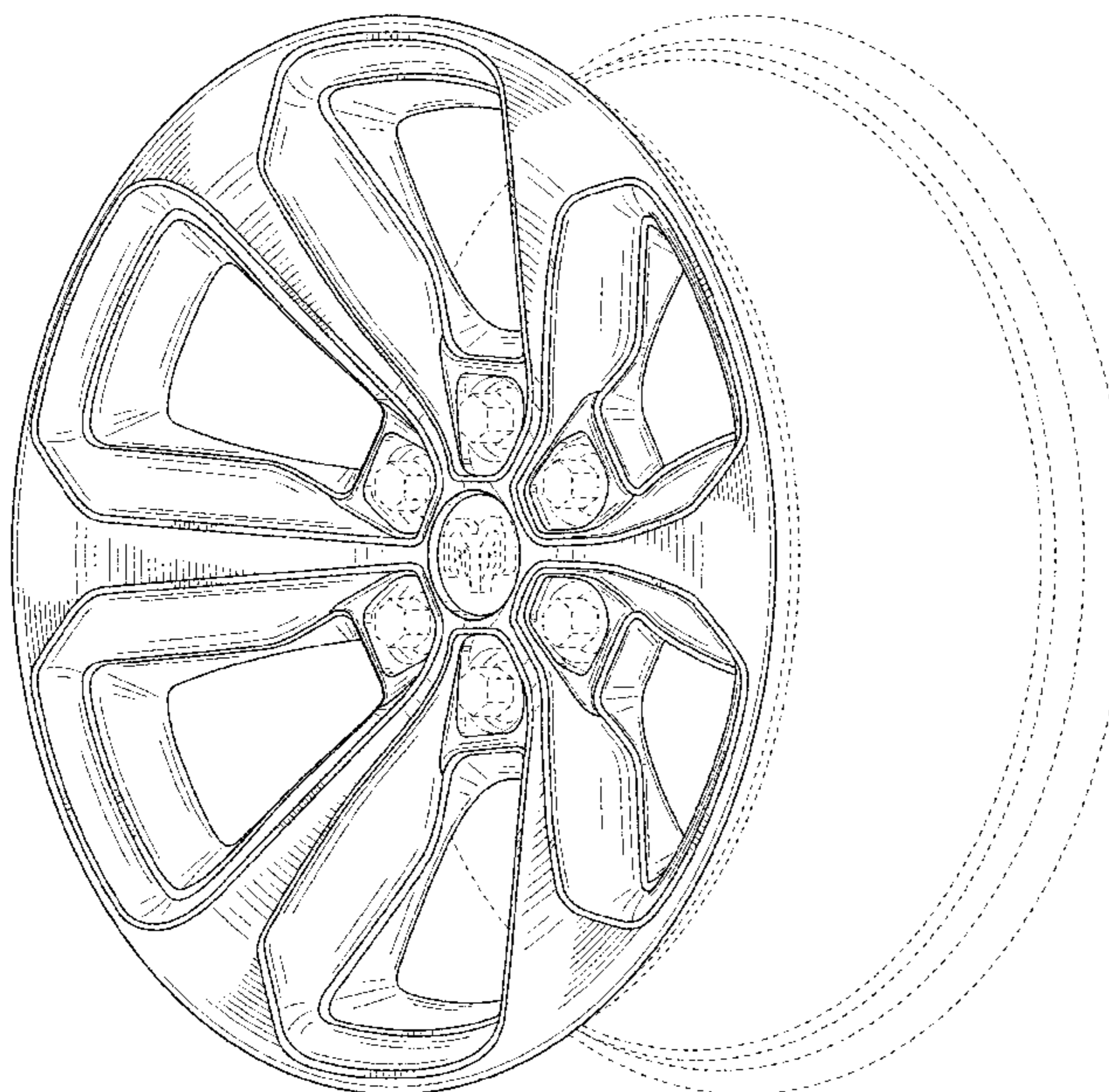
FIG. 1 is a left perspective view of a wheel showing our new design;

FIG. 2 is a right perspective view thereof; and,

FIG. 3 is a front view thereof.

It will be understood that the broken lines shown in the drawings illustrate portions of the wheel that form no part of the claimed design.

**1 Claim, 3 Drawing Sheets**





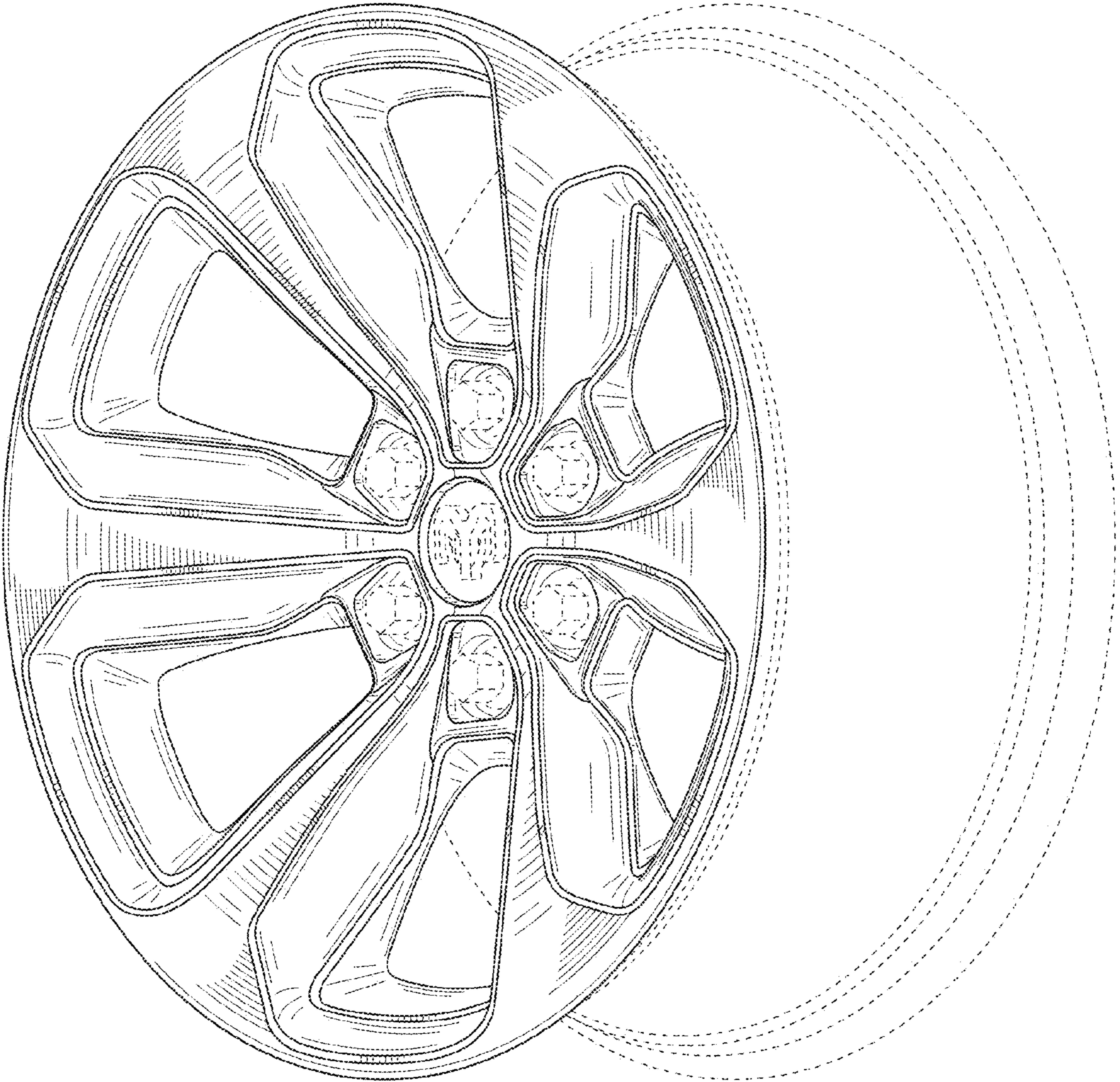


FIG. 1

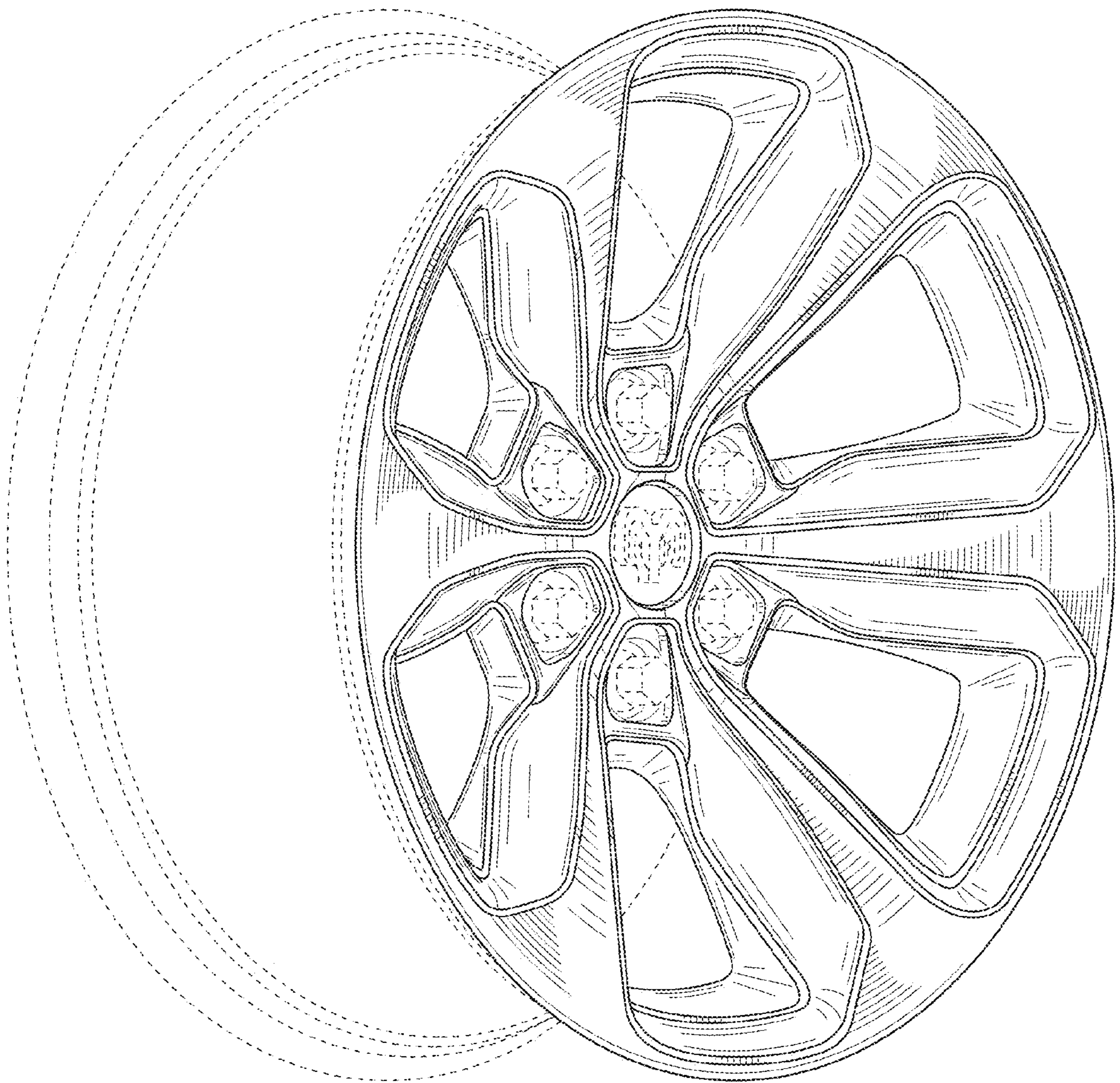


FIG. 2



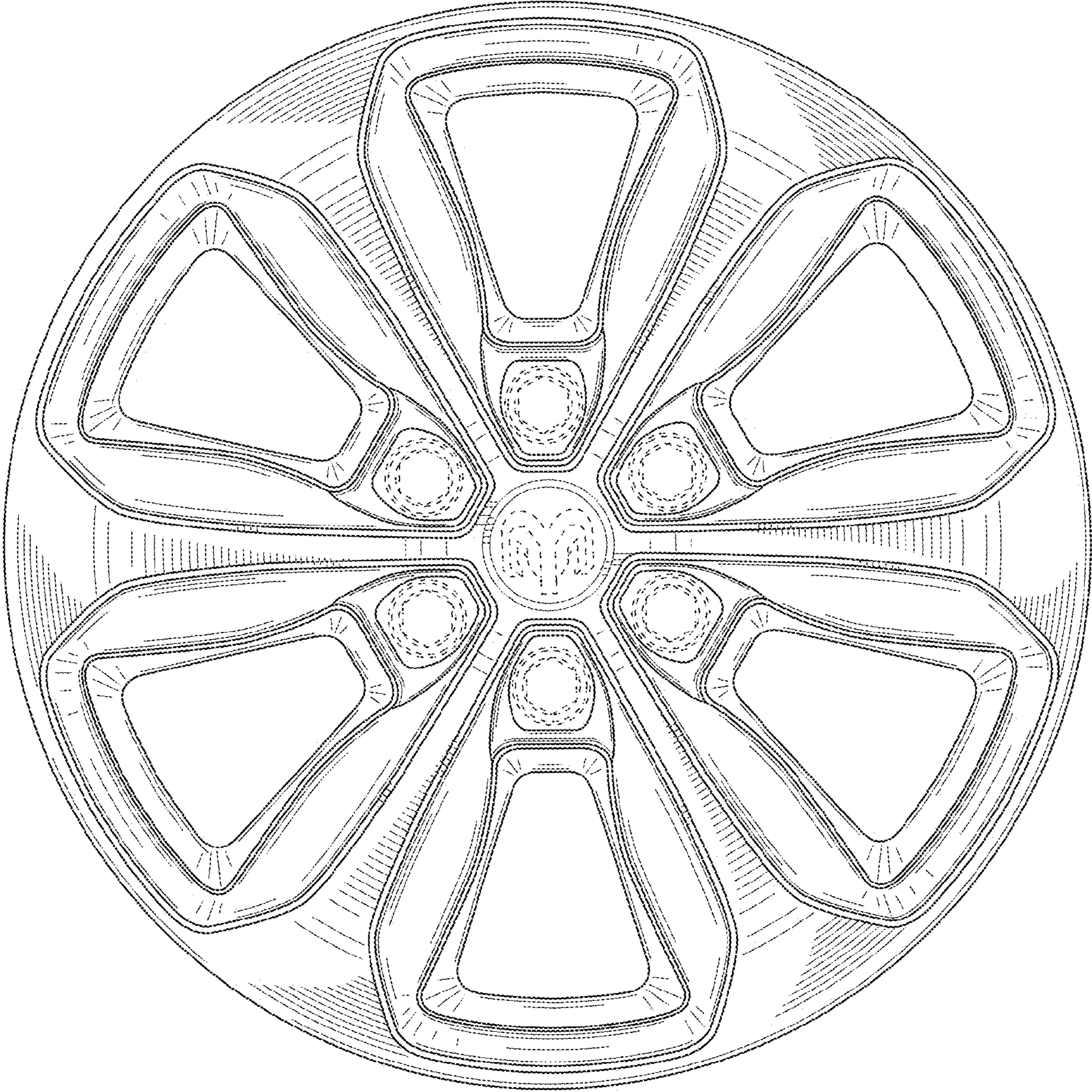


FIG. 3