

US00D891339S

(12) **United States Design Patent** (10) **Patent No.:** **US D891,339 S**
Tanghe (45) **Date of Patent:** **** Jul. 28, 2020**

(54) **SIDE MIRROR FOR A VEHICLE**
(71) Applicant: **Bayerische Motoren Werke Aktiengesellschaft, Munich (DE)**
(72) Inventor: **Pascal Tanghe, Munich (DE)**
(73) Assignee: **Bayerische Motoren Werke Aktiengesellschaft, Munich (DE)**

D731,379 S * 6/2015 Behmer D12/187
D746,197 S 12/2015 Nissl
D793,310 S * 8/2017 Hwang D12/187
D827,531 S * 9/2018 Bucher D12/187
D837,705 S * 1/2019 Bucher D12/187
D865,598 S * 11/2019 Grand D12/187
D869,363 S * 12/2019 Bucher D12/187
D870,622 S * 12/2019 Chen D12/187

(**) Term: **15 Years**
(21) Appl. No.: **29/676,800**

FOREIGN PATENT DOCUMENTS
EM 000715974-0002 2/2008
* cited by examiner
Primary Examiner — Abraham Bahta
(74) *Attorney, Agent, or Firm* — Crowell & Moring LLP

(22) Filed: **Jan. 15, 2019**
(30) **Foreign Application Priority Data**

Jul. 24, 2018 (DE) 40 2018 100 731
(51) **LOC (12) Cl.** **12-16**
(52) **U.S. Cl.**
USPC **D12/187**

(57) **CLAIM**
The ornamental design for a side mirror for a vehicle, as shown and described.

(58) **Field of Classification Search**
USPC D12/114, 187-189, 191, 400, 404, 181;
D6/300, 309; 359/843, 844, 881, 877,
359/604, 868, 838, 839, 841, 514, 871;
248/466, 474
CPC B60R 1/076; B60R 1/074; B60R 1/078;
B60R 1/08; B60R 1/006; B60R 1/02;
B60R 1/06; B60R 1/0612; B60R 1/062;
B60R 1/064; G02B 7/182; G02B 7/18
See application file for complete search history.

DESCRIPTION

FIG. 1 is a front view of a side mirror for a vehicle according to the design;
FIG. 2 is a right, front perspective view thereof;
FIG. 3 is a right side view thereof;
FIG. 4 is a rear view thereof;
FIG. 5 is a left side view thereof;
FIG. 6 is a left, bottom perspective view thereof;
FIG. 7 is a top view thereof; and,
FIG. 8 is a bottom view thereof.

(56) **References Cited**
U.S. PATENT DOCUMENTS
D567,160 S 4/2008 Baum
D703,120 S 4/2014 Nordmann

1 Claim, 8 Drawing Sheets

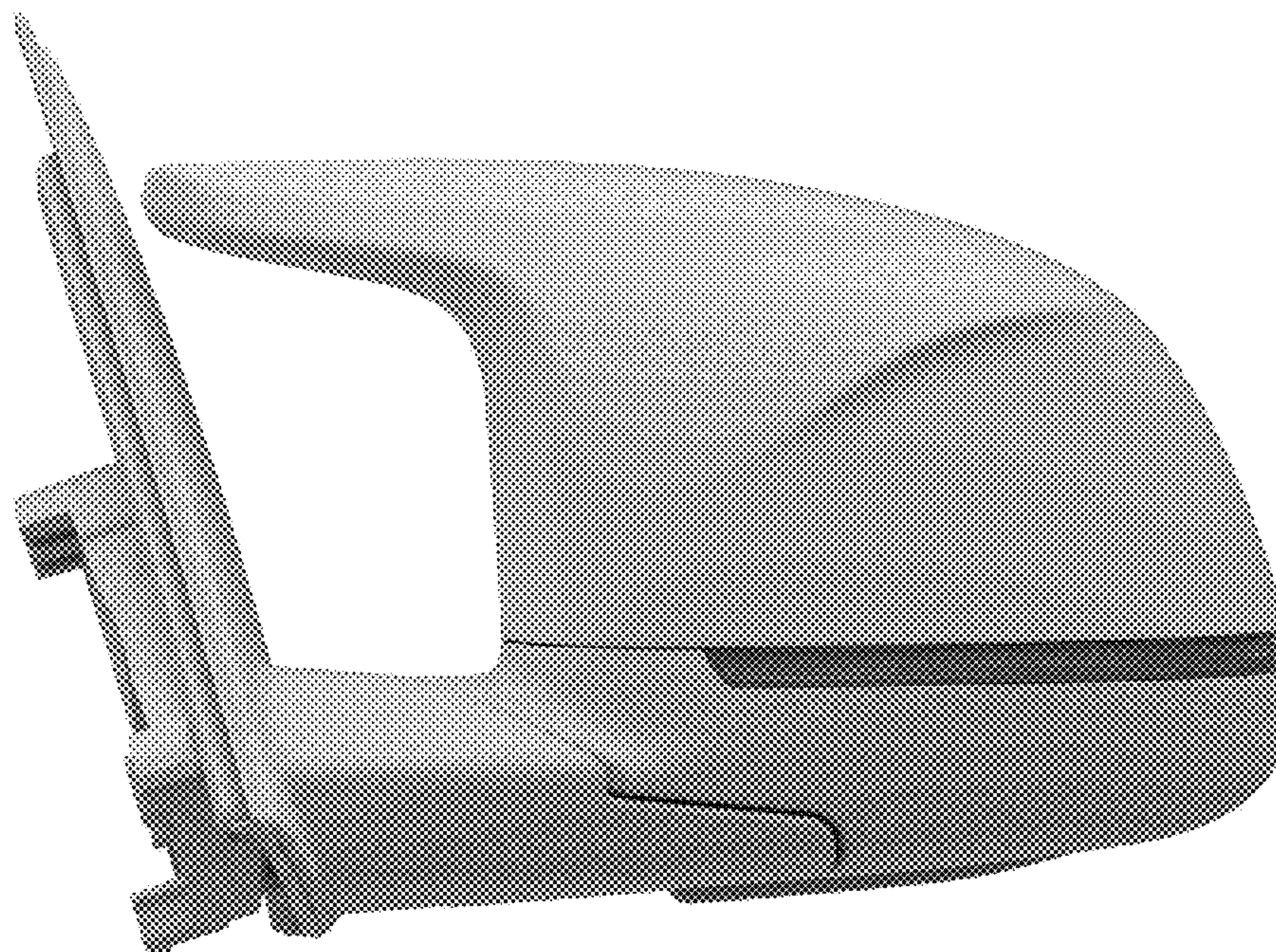




Fig. 1

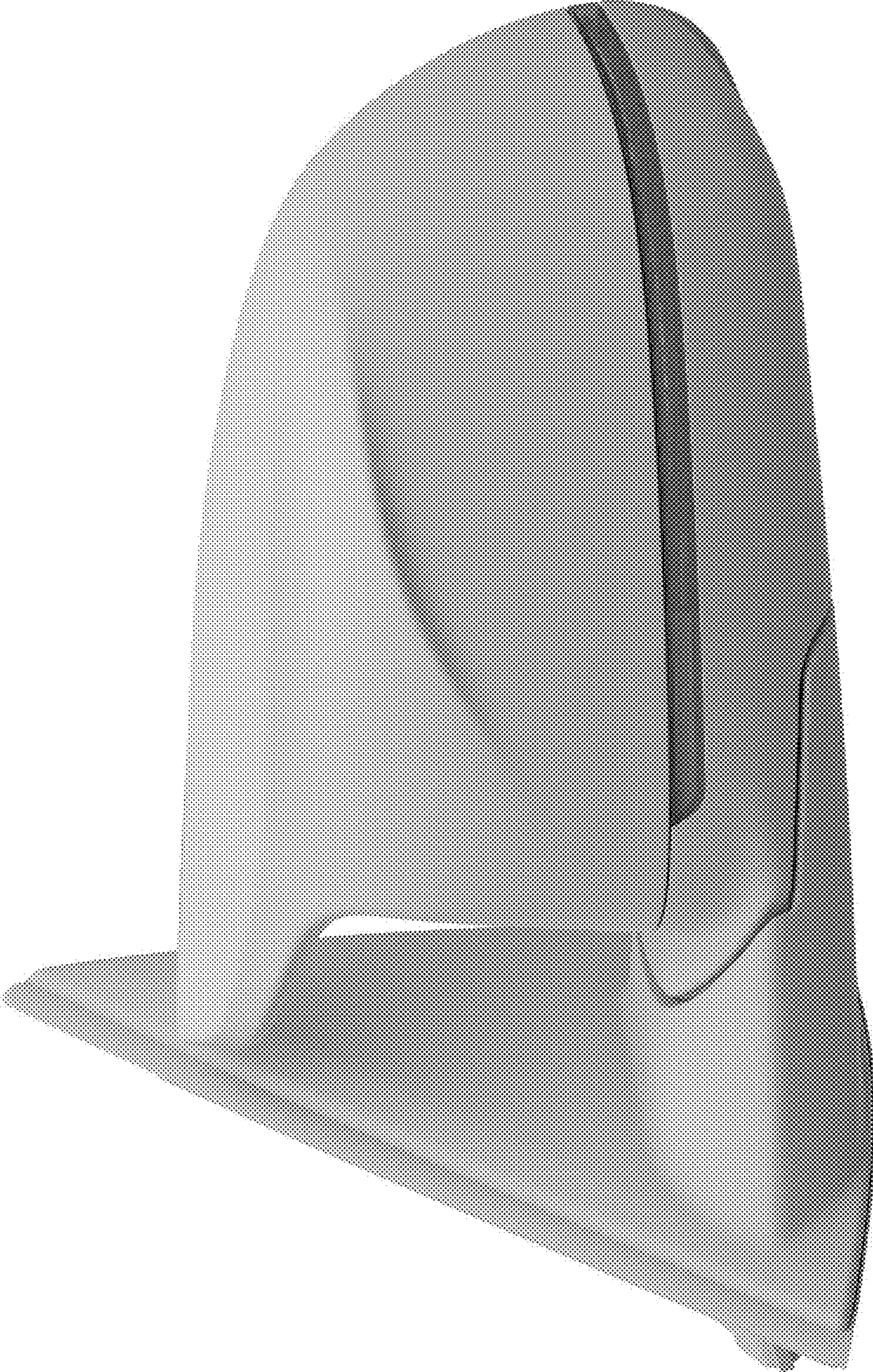


Fig. 2



Fig. 3



Fig. 4

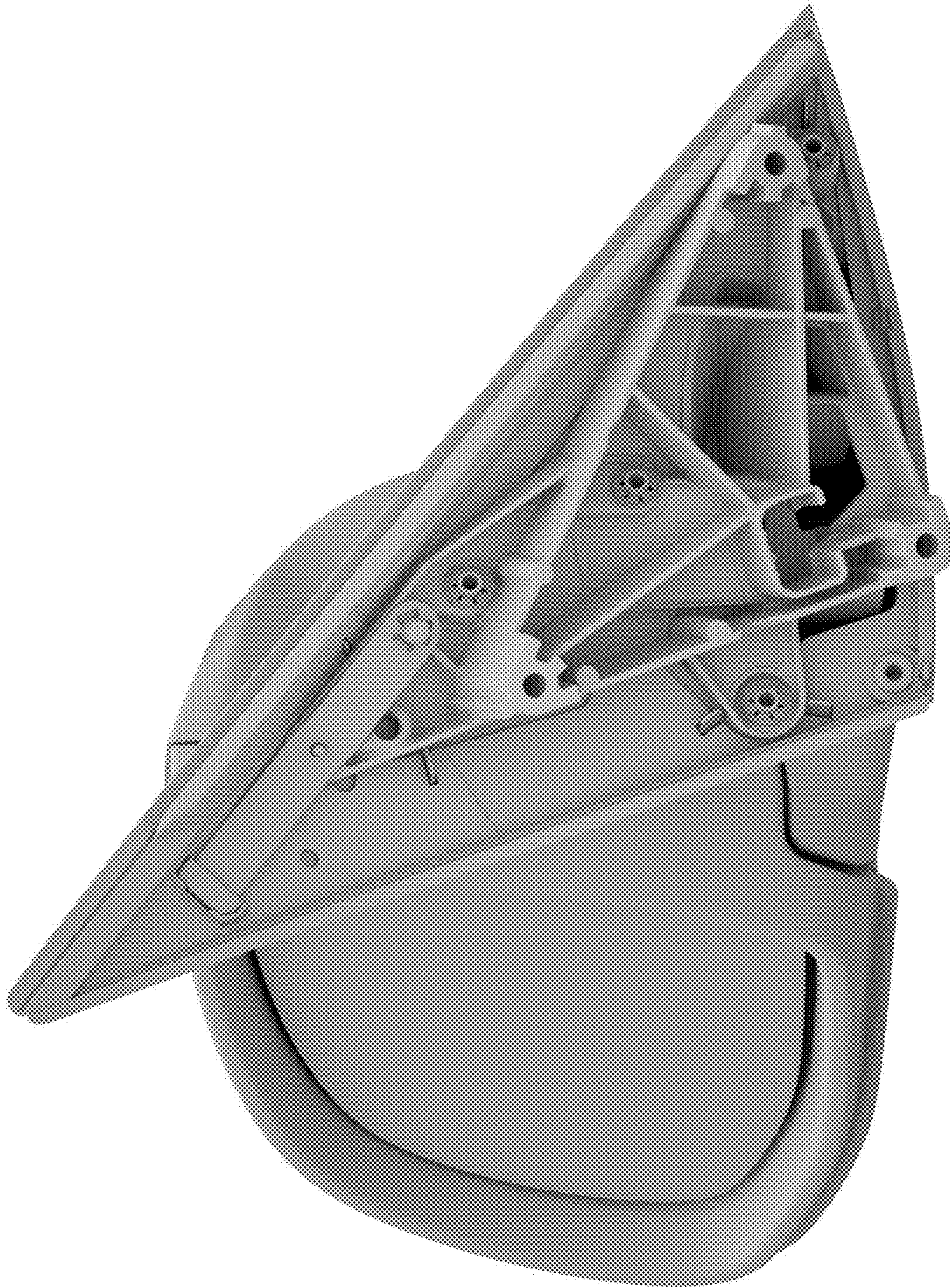


Fig. 5

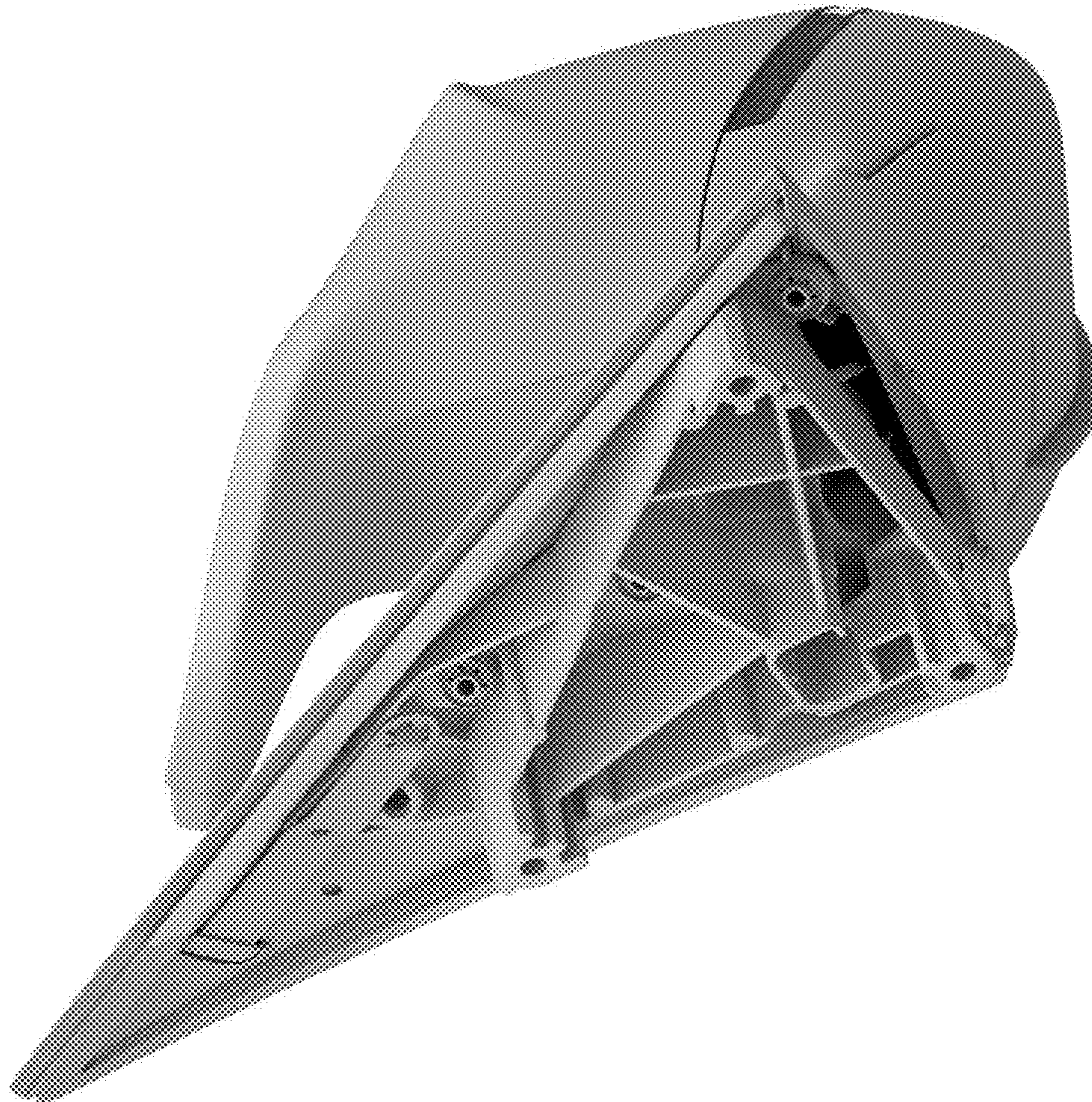


Fig. 6



Fig. 7



Fig. 8