



US00D891338S

(12) **United States Design Patent**  
**Ninov et al.**

(10) **Patent No.:** **US D891,338 S**

(45) **Date of Patent:** **\*\* Jul. 28, 2020**

(54) **SIDE MIRROR**

(71) Applicants: **Deyan Ninov**, Royal Oak, MI (US);  
**Everard J Scott**, Sterling Heights, MI  
(US); **Michael Gillam**, Oxford, MI  
(US); **Gregory A. Howell**, Farmington,  
MI (US)

(72) Inventors: **Deyan Ninov**, Royal Oak, MI (US);  
**Everard J Scott**, Sterling Heights, MI  
(US); **Michael Gillam**, Oxford, MI  
(US); **Gregory A. Howell**, Farmington,  
MI (US)

(73) Assignee: **FCA US LLC**, Auburn Hills, MI (US)

(\*\*) Term: **15 Years**

(21) Appl. No.: **29/673,646**

(22) Filed: **Dec. 17, 2018**

**Related U.S. Application Data**

(63) Continuation-in-part of application No. 29/626,557,  
filed on Nov. 17, 2017, now Pat. No. Des. 836,034,  
and a continuation-in-part of application No.  
29/626,563, filed on Nov. 17, 2017, now Pat. No. Des.  
836,035, and a continuation-in-part of application No.  
29/626,553, filed on Nov. 17, 2017, now Pat. No. Des.  
837,099, and a continuation-in-part of application No.  
29/626,566, filed on Nov. 17, 2017, now Pat. No. Des.  
836,036.

(51) **LOC (12) Cl.** ..... **12-16**

(52) **U.S. Cl.**  
USPC ..... **D12/187**

(58) **Field of Classification Search**  
USPC ..... D12/114, 187-189, 191, 400, 404, 181;  
D6/300, 309; 359/843, 844, 881, 877,  
359/604, 868, 838, 839, 841, 514, 871;  
248/466, 474

CPC ..... B60R 1/076; B60R 1/074; B60R 1/078;  
B60R 1/08; B60R 1/006; B60R 1/02;  
B60R 1/06; B60R 1/0612; B60R 1/062;  
B60R 1/064; G02B 7/182; G02B 7/18  
See application file for complete search history.

(56) **References Cited**

U.S. PATENT DOCUMENTS

D605,996 S	12/2009	Kruger et al.	
D691,077 S *	10/2013	Davis .....	D12/187
D804,378 S *	12/2017	Perkins .....	D12/187
D807,263 S *	1/2018	Piscitelli .....	D12/187
D863,160 S *	10/2019	Gifford .....	D12/187
D865,600 S *	11/2019	Goodrich .....	D12/187
D870,006 S *	12/2019	Chen .....	D12/187
D873,745 S *	1/2020	Ruiz .....	D12/187

OTHER PUBLICATIONS

Headlights Depot (<https://www.headlightsdepot.com/>).

\* cited by examiner

*Primary Examiner* — Abraham Bahta

(74) *Attorney, Agent, or Firm* — Ralph E. Smith

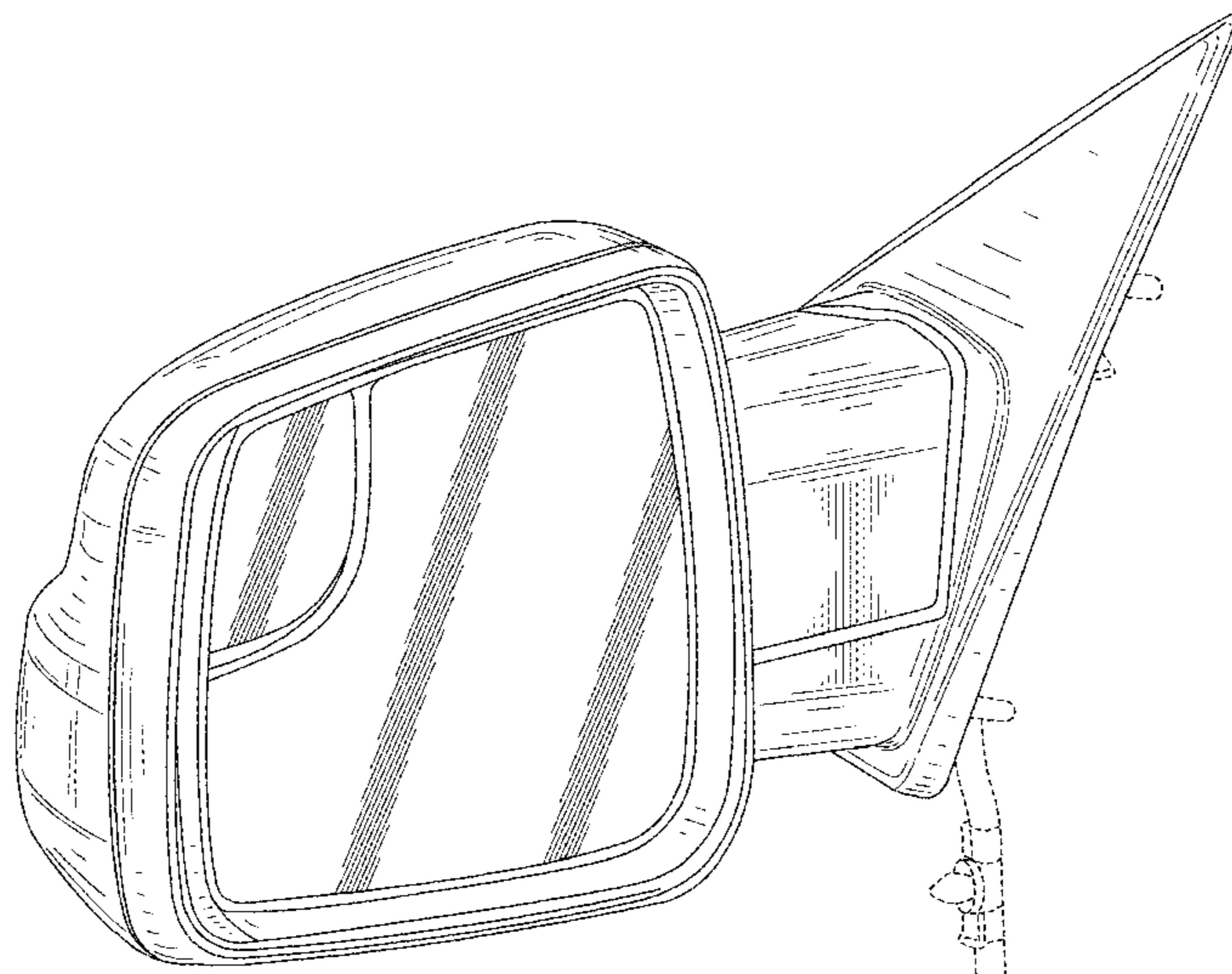
(57) **CLAIM**

The ornamental design for a side mirror, as shown and described.

**DESCRIPTION**

FIG. 1 is a front perspective view of a side mirror showing our new design;  
FIG. 2 is a left side view thereof;  
FIG. 3 is a top view thereof;  
FIG. 4 is a front view thereof;  
FIG. 5 is a rear view thereof; and,  
FIG. 6 is a bottom view thereof.  
It will be understood that the broken lines shown in the drawings illustrate portions of the side mirror that form no part of the claimed design.

**1 Claim, 6 Drawing Sheets**



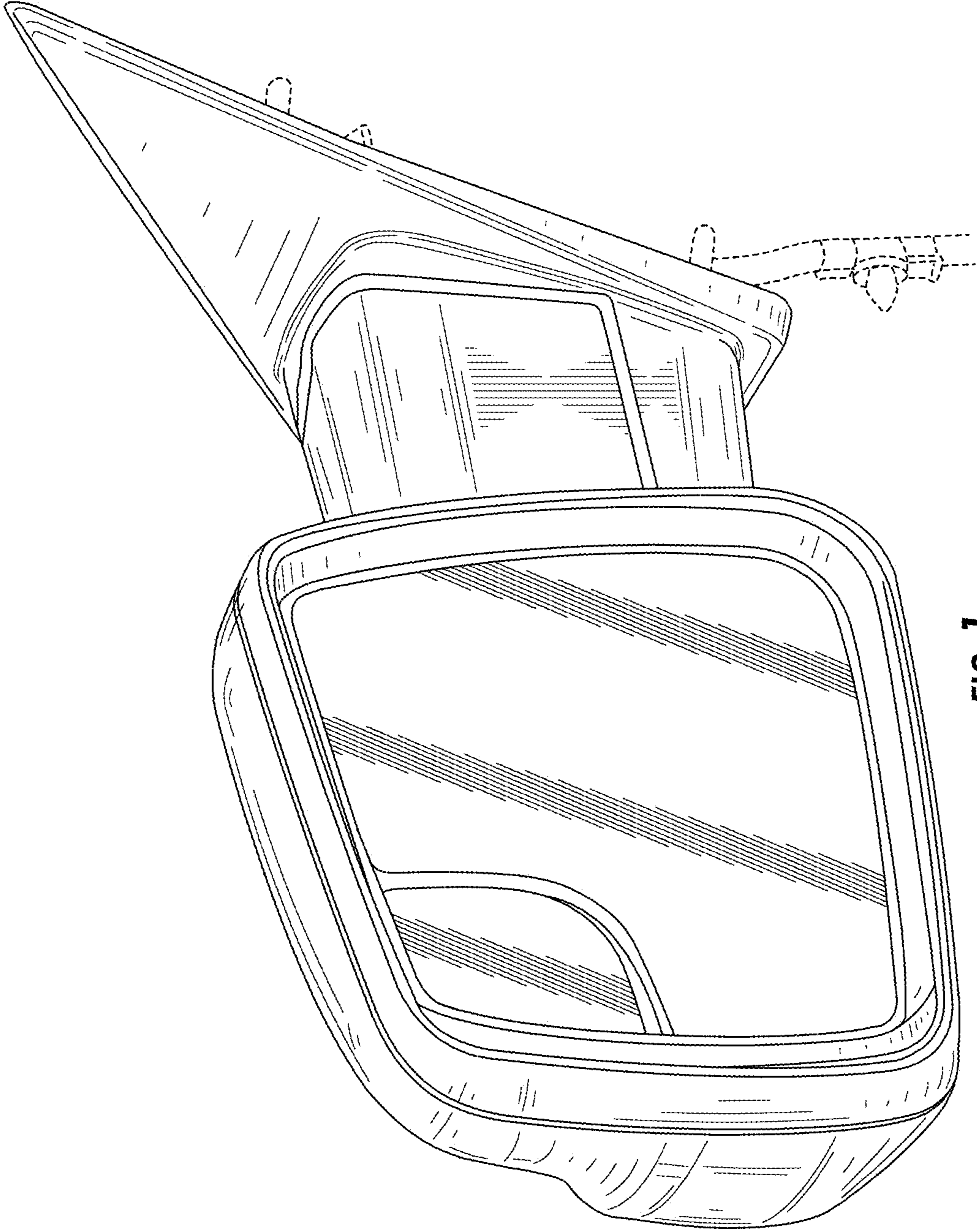


FIG. 1

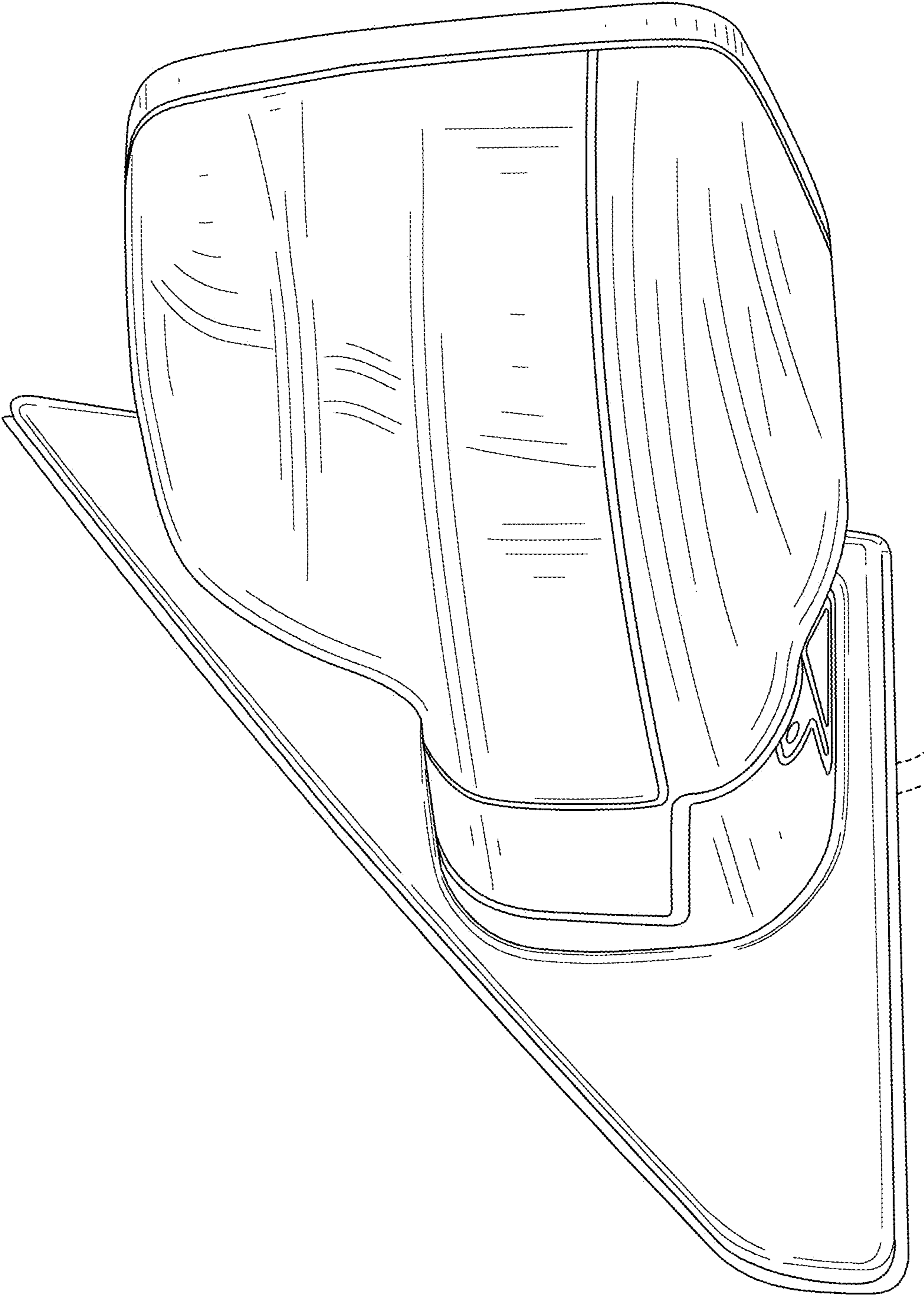


FIG. 2



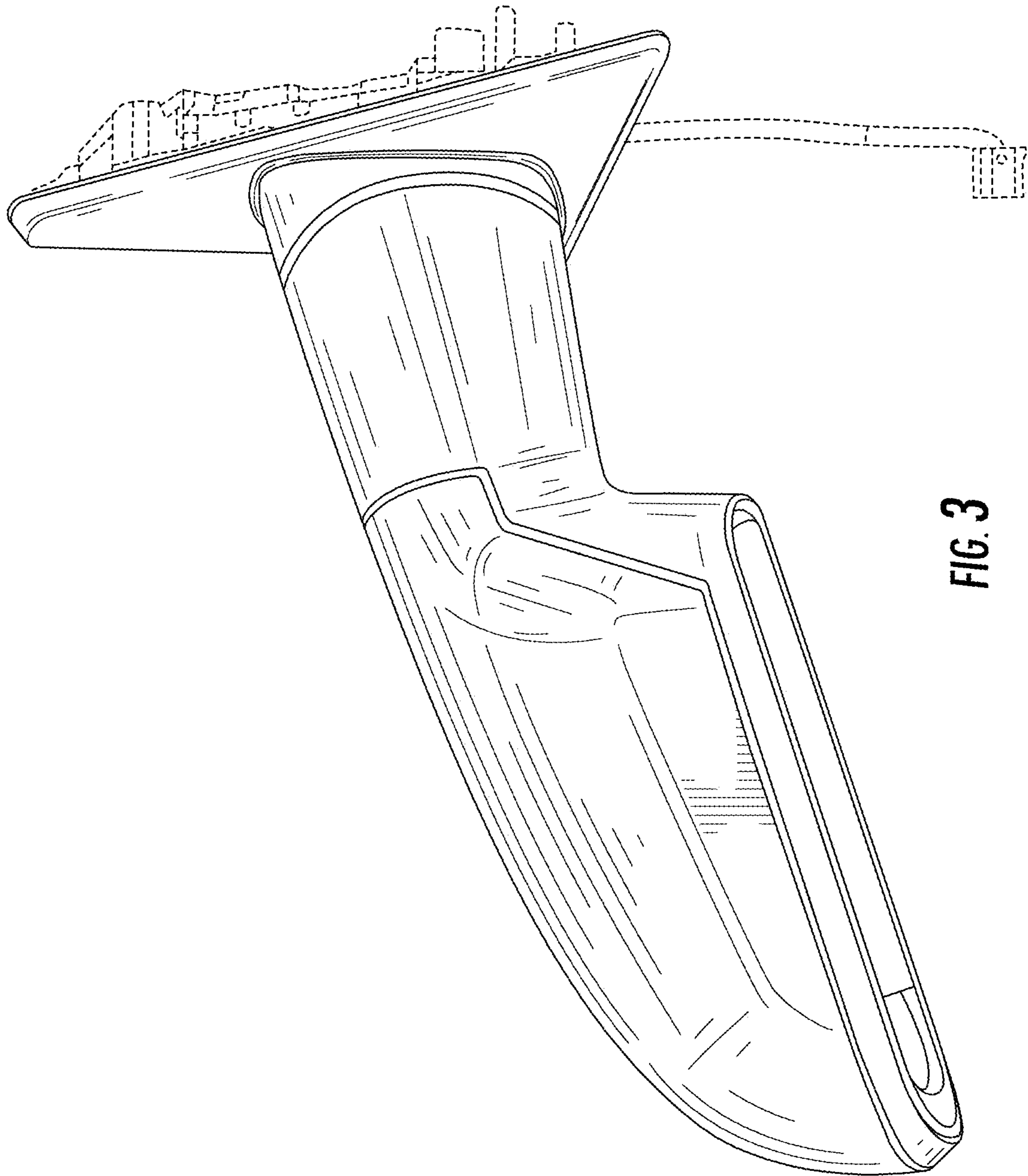


FIG. 3

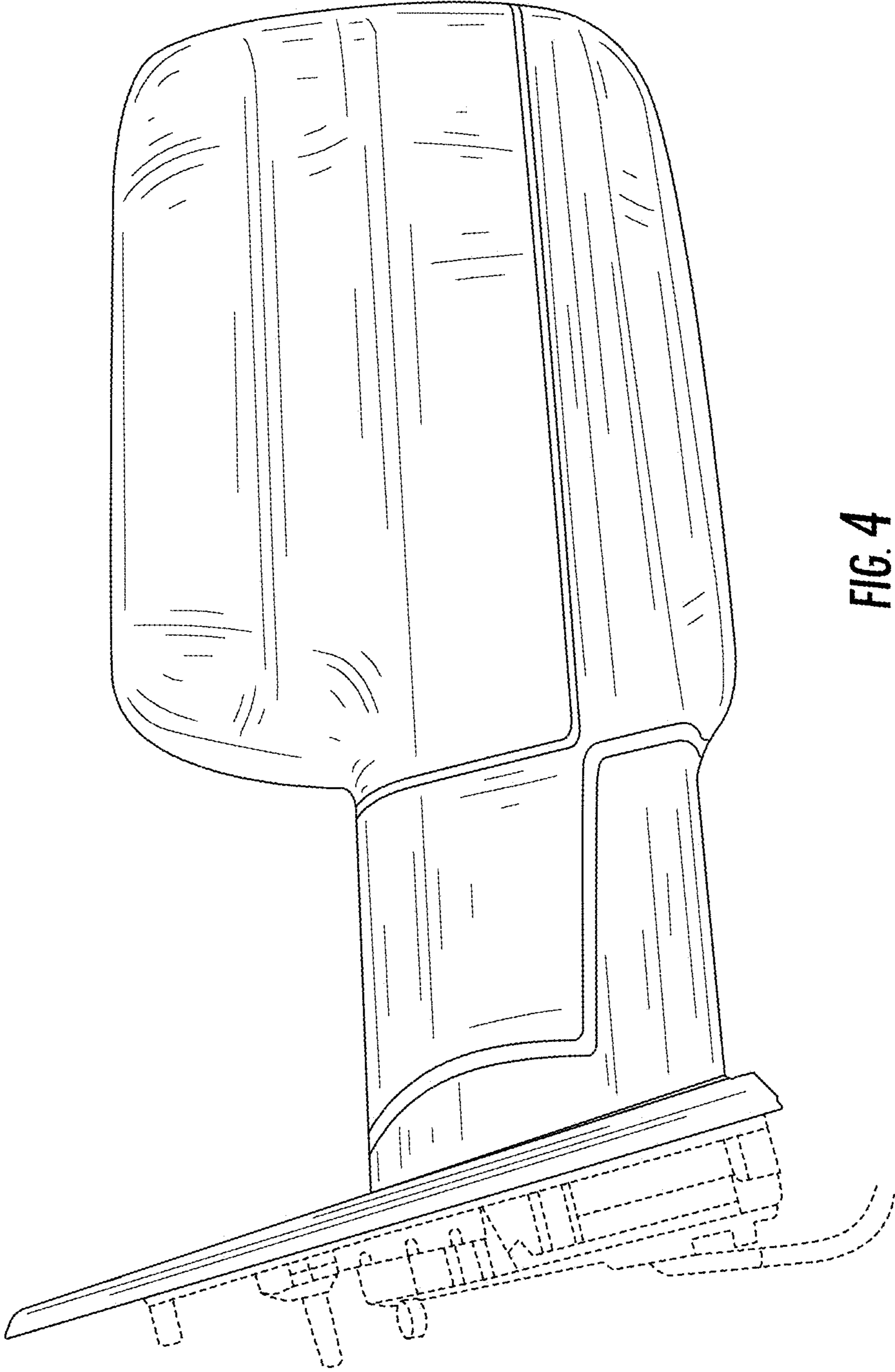


FIG. 4

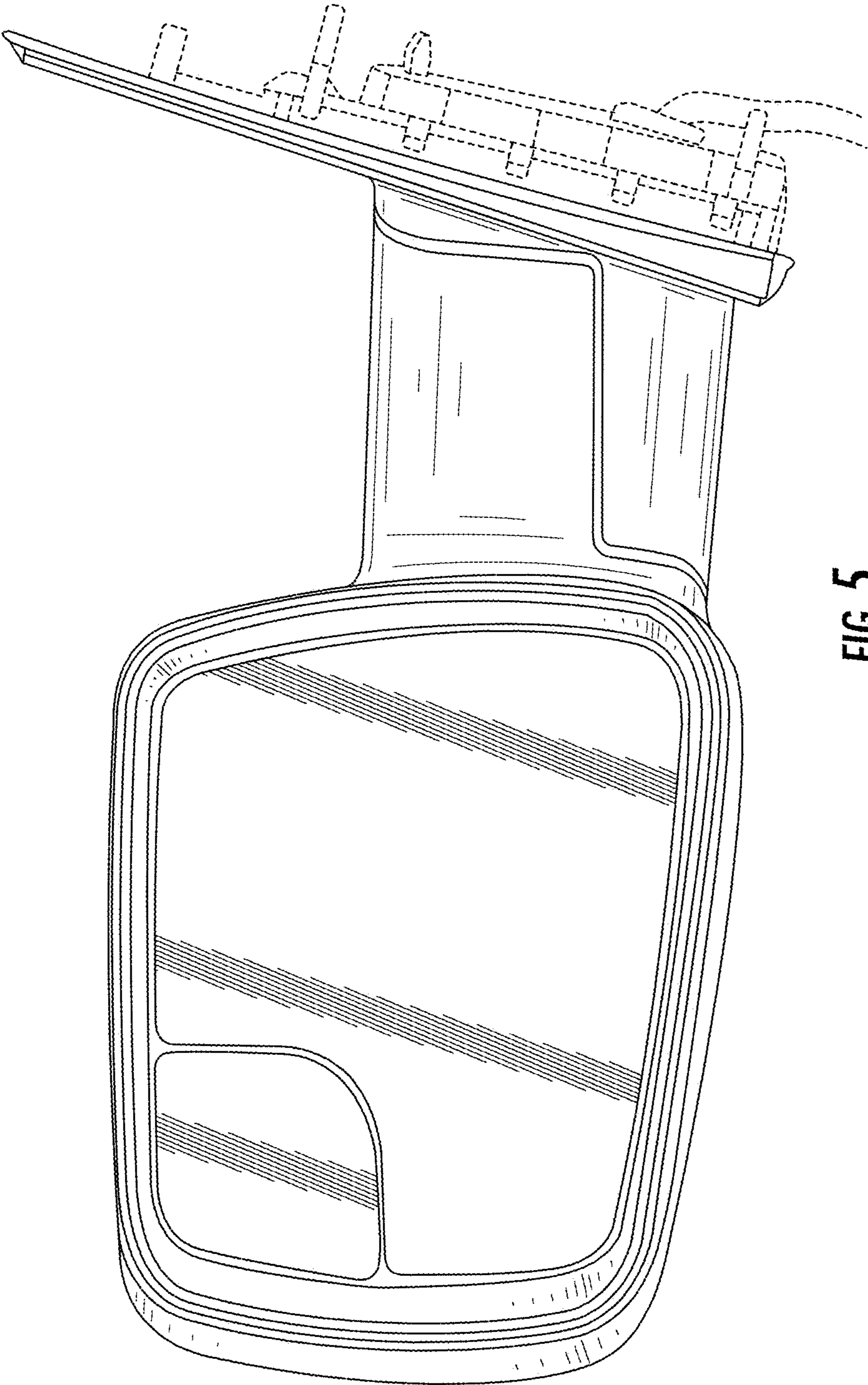


FIG. 5

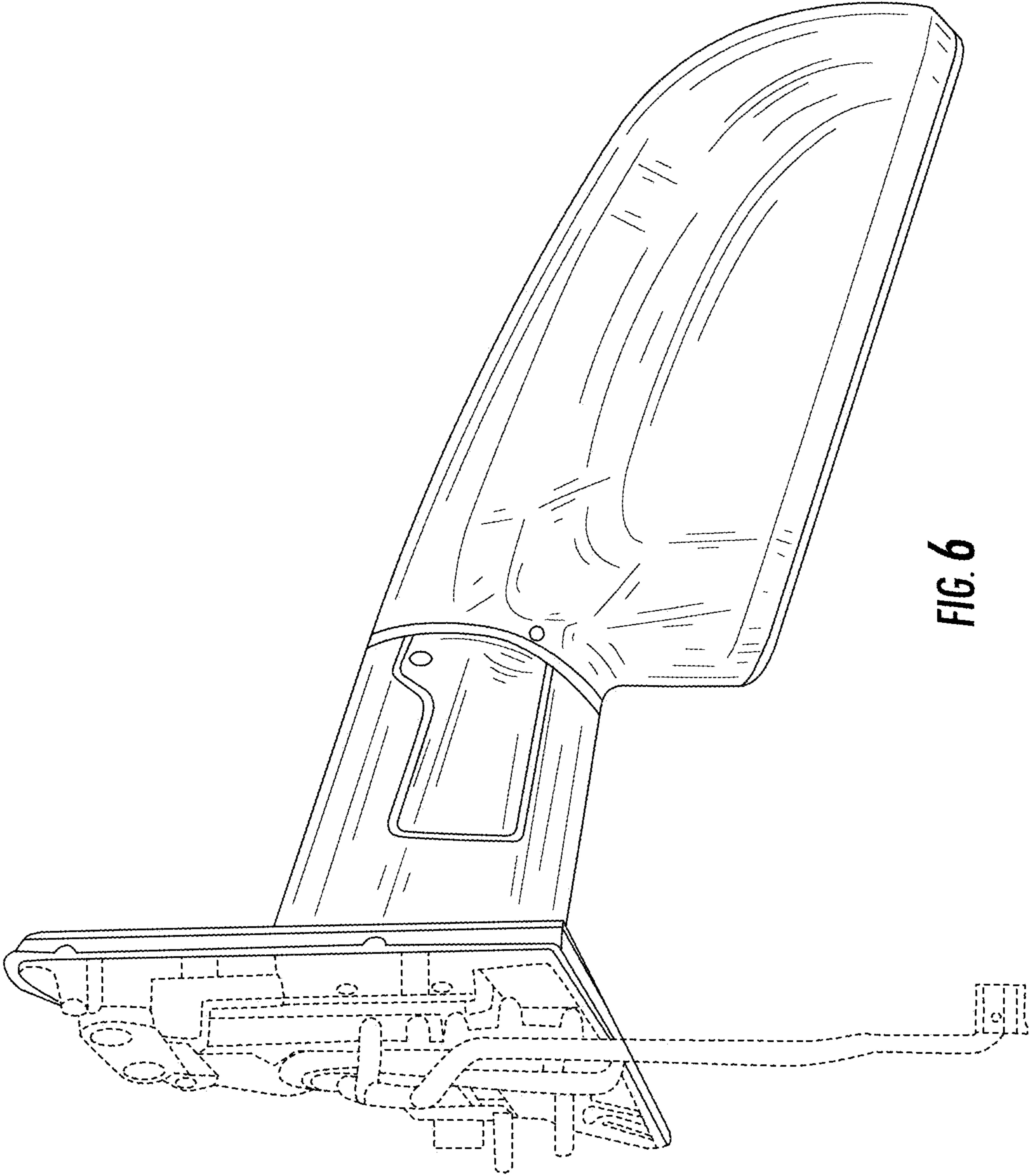


FIG. 6