



US00D891328S

(12) **United States Design Patent**  
**Williams**

(10) **Patent No.:** **US D891,328 S**

(45) **Date of Patent:** **\*\* Jul. 28, 2020**

(54) **TRUCK GRILL**

(71) Applicant: **K&N Engineering, Inc.**, Riverside, CA  
(US)

(72) Inventor: **Steve Williams**, Cherry Valley, CA  
(US)

(73) Assignee: **K&N Engineering, Inc.**, Riverside, CA  
(US)

(\*\*) Term: **15 Years**

(21) Appl. No.: **29/682,150**

(22) Filed: **Mar. 1, 2019**

(51) **LOC (12) Cl.** ..... **12-16**

(52) **U.S. Cl.**  
USPC ..... **D12/171**

(58) **Field of Classification Search**  
USPC .... D12/90-93, 96, 163, 164, 171, 181, 184,  
D12/196

CPC ..... B62D 25/02; B62D 25/04; B62D 25/10;  
B62D 25/105; B62D 25/16; B62D  
25/161; B62D 25/168; B60J 5/00; B60J  
5/02; B60J 5/04; B60J 5/10

See application file for complete search history.

(56) **References Cited**

**U.S. PATENT DOCUMENTS**

D836,042 S \* 12/2018 Yang ..... D12/163  
D837,106 S \* 1/2019 Yang ..... D12/163

D837,107 S \* 1/2019 Yang ..... D12/163  
D837,108 S \* 1/2019 Yang ..... D12/163  
D845,184 S \* 4/2019 Zipfel ..... D12/163  
D847,702 S \* 5/2019 Zipfel ..... D12/163  
D853,285 S \* 7/2019 Yang ..... D12/163  
D853,899 S \* 7/2019 Dewitt ..... D12/163  
D853,900 S \* 7/2019 Dewitt ..... D12/163  
D859,226 S \* 9/2019 Grooms ..... D12/163  
D860,071 S \* 9/2019 Dewitt ..... D12/163  
D860,073 S \* 9/2019 Ninov ..... D12/164  
D860,876 S \* 9/2019 Yang ..... D12/163  
D860,881 S \* 9/2019 Ninov ..... D12/164  
D864,048 S \* 10/2019 Gittin, Jr. .... D12/163

\* cited by examiner

*Primary Examiner* — George D. Kirschbaum

*Assistant Examiner* — Joseph J Kukella

(74) *Attorney, Agent, or Firm* — Rutan & Tucker LLP;  
Hani Z. Sayed

(57) **CLAIM**

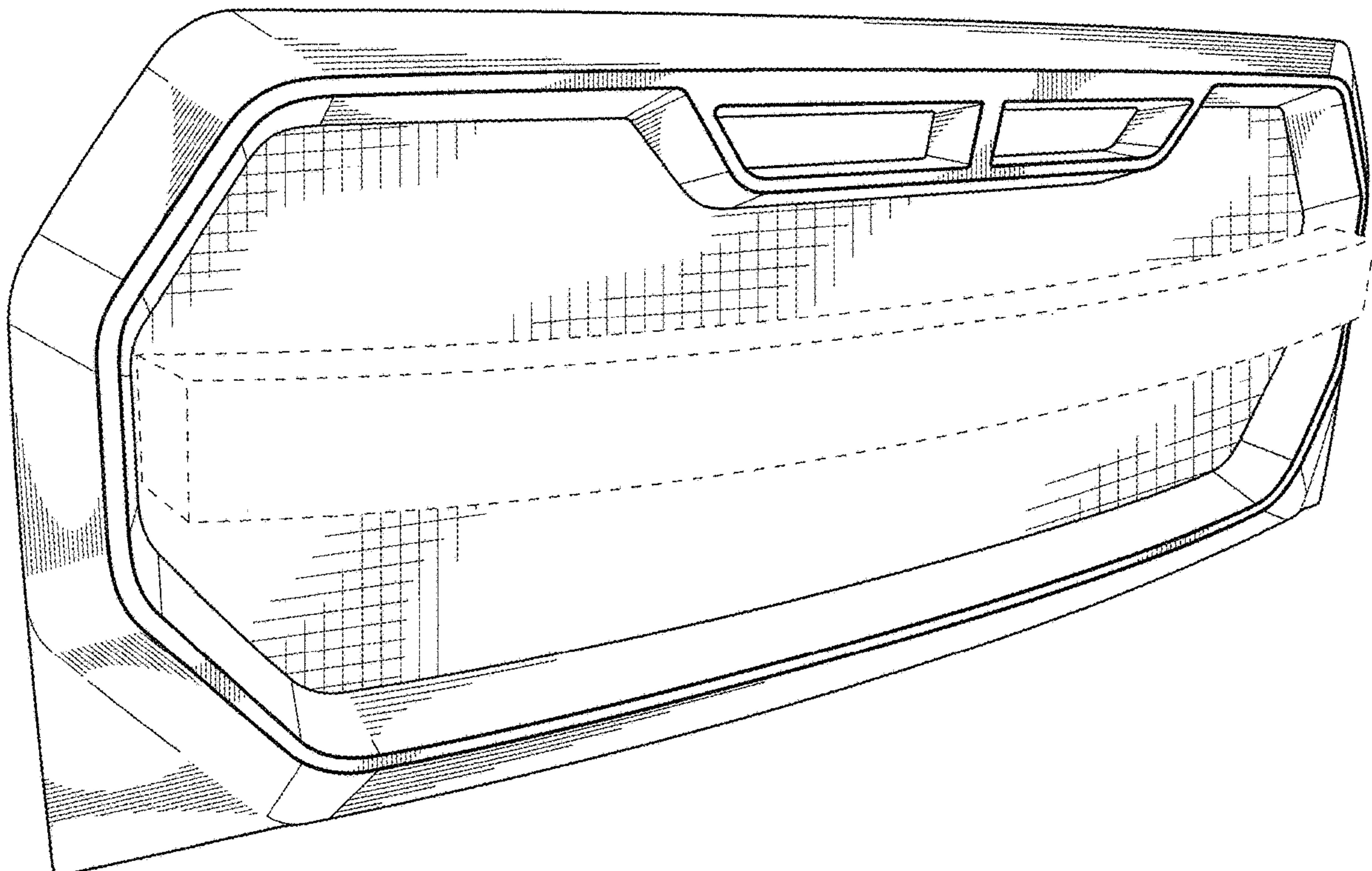
The ornamental design for an truck grill, as shown and described.

**DESCRIPTION**

FIG. 1—Top, front, left side perspective view;  
FIG. 2—Front elevation view;  
FIG. 3—Right side elevation view, shown at an enlarged scale, the left side elevation view being a mirror image;  
FIG. 4—Top plan view; and,  
FIG. 5—Bottom plan view.

In the drawings, the broken lines depict portions of the truck grill that form no part of the claimed design.

**1 Claim, 2 Drawing Sheets**



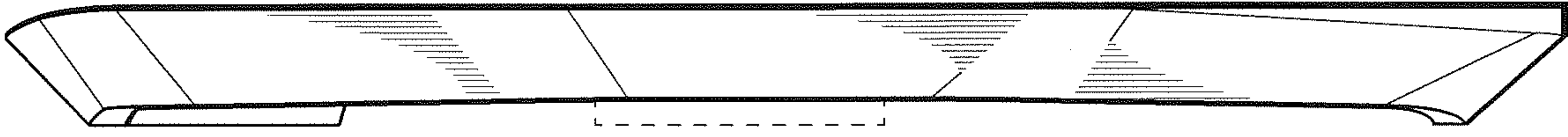


FIG. 3

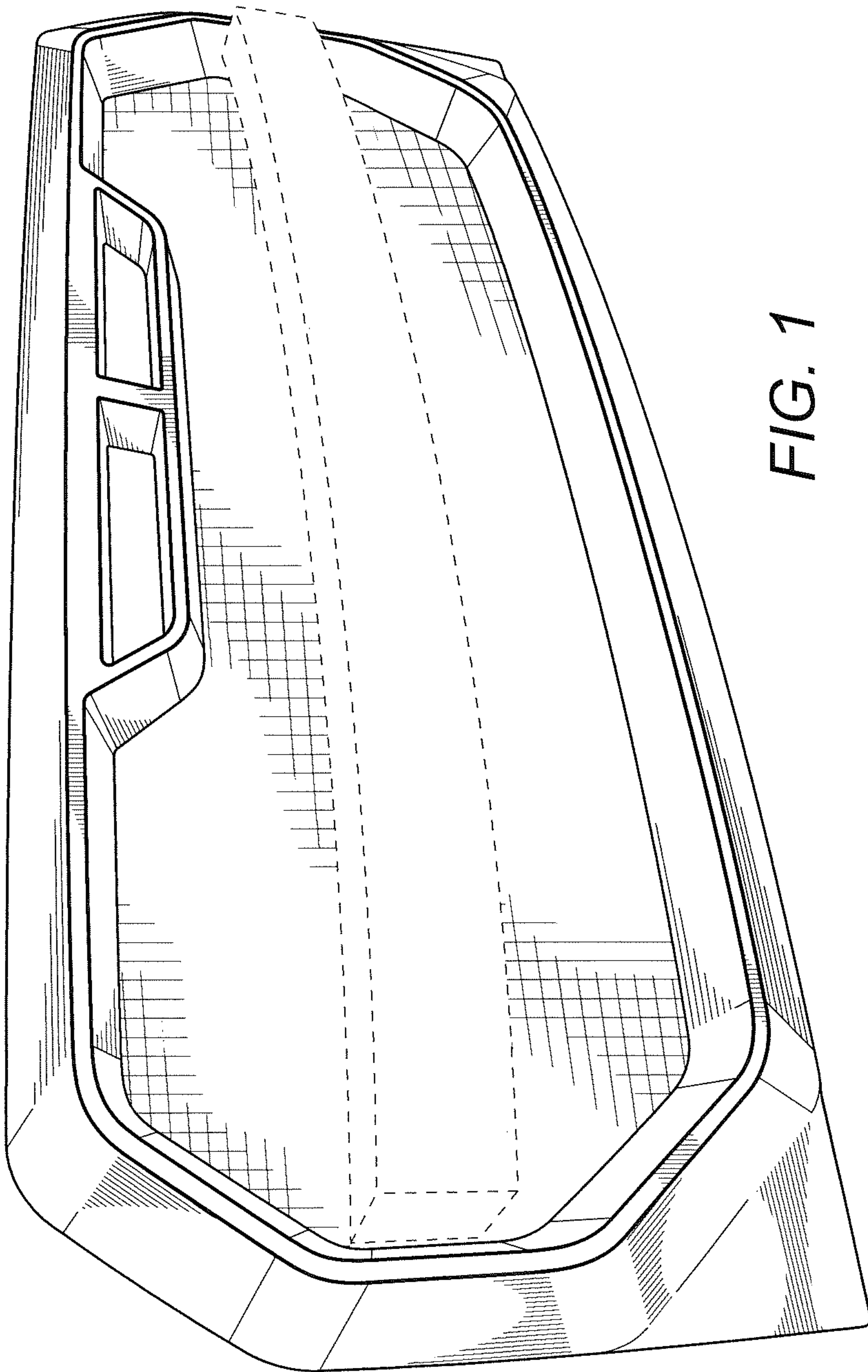


FIG. 1



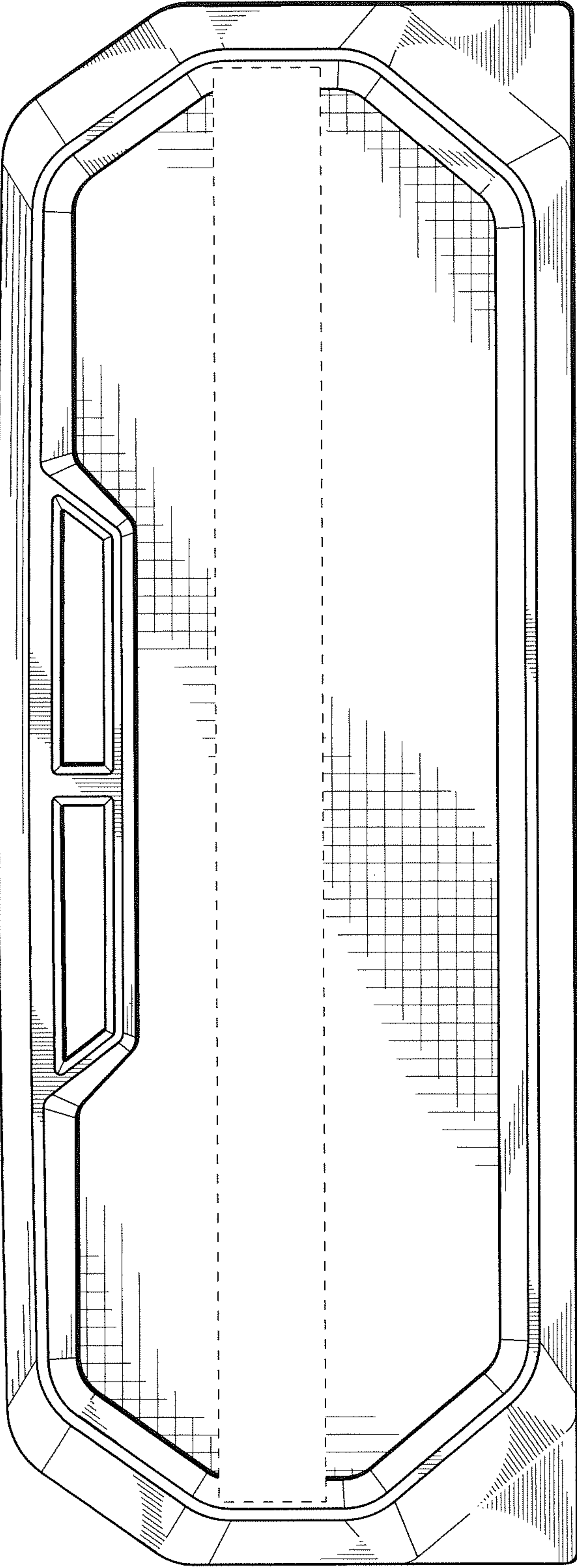


FIG. 2



FIG. 4

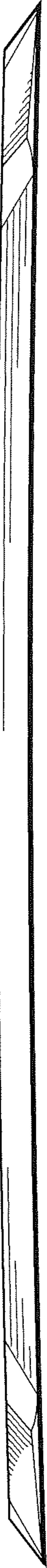


FIG. 5