



US00D891327S

(12) **United States Design Patent**
Platt, Jr. et al.

(10) **Patent No.:** **US D891,327 S**
(45) **Date of Patent:** **** Jul. 28, 2020**

(54) **DECORATIVE SHROUD FOR A COOLANT RADIATOR WITH FLUSH-FIT FAN**

(71) Applicant: **Specialty Auto Parts U.S.A., Inc.**,
Warren, MI (US)

(72) Inventors: **Richard Booth Platt, Jr.**, Huntington Woods, MI (US); **Richard Booth Platt**, Grosse Pointe Farms, MI (US); **Rick Anthony Hobbs**, Sterling Heights, MI (US)

(73) Assignee: **Specialty Auto Parts U.S.A., Inc.**,
Warren, MI (US)

(**) Term: **15 Years**

(21) Appl. No.: **29/667,688**

(22) Filed: **Oct. 24, 2018**

(51) **LOC (12) Cl.** **12-16**

(52) **U.S. Cl.**
USPC **D12/171; D12/163**

(58) **Field of Classification Search**
USPC D12/86, 90, 91, 92, 163, 169, 196, 171, D12/216; D15/31
CPC . B60R 19/52; B60R 2019/525; B60K 11/085; B62D 25/084; H01Q 1/32
See application file for complete search history.

(56) **References Cited**

U.S. PATENT DOCUMENTS

- 5,613,551 A * 3/1997 Rhodes F28F 9/001
165/149
- D389,904 S * 1/1998 Owens D23/314
- 5,771,961 A * 6/1998 Alizadeh B60K 11/04
165/121
- D423,661 S * 4/2000 Pelonis D23/395
- D615,007 S * 5/2010 Kasai D12/163
- D713,765 S * 9/2014 Peltola D12/163

- D743,517 S * 11/2015 Platt D23/323
- 9,212,598 B2 12/2015 Platt et al.
- D770,335 S * 11/2016 Walterscheid D12/163
- 9,617,907 B2 * 4/2017 Nam F28F 27/02
- D786,152 S * 5/2017 Wotton D12/163
- D798,426 S * 9/2017 Zhong D23/330
- D802,494 S * 11/2017 Pruitt D12/166
- D802,495 S * 11/2017 Pruitt D12/166
- D829,183 S * 9/2018 Li D13/179
- D837,701 S * 1/2019 Li D12/166

(Continued)

Primary Examiner — Darlington Ly

(74) *Attorney, Agent, or Firm* — Endurance Law Group PLC

(57) **CLAIM**

The ornamental design for a decorative shroud for a coolant radiator with flush fit fan, as shown and described.

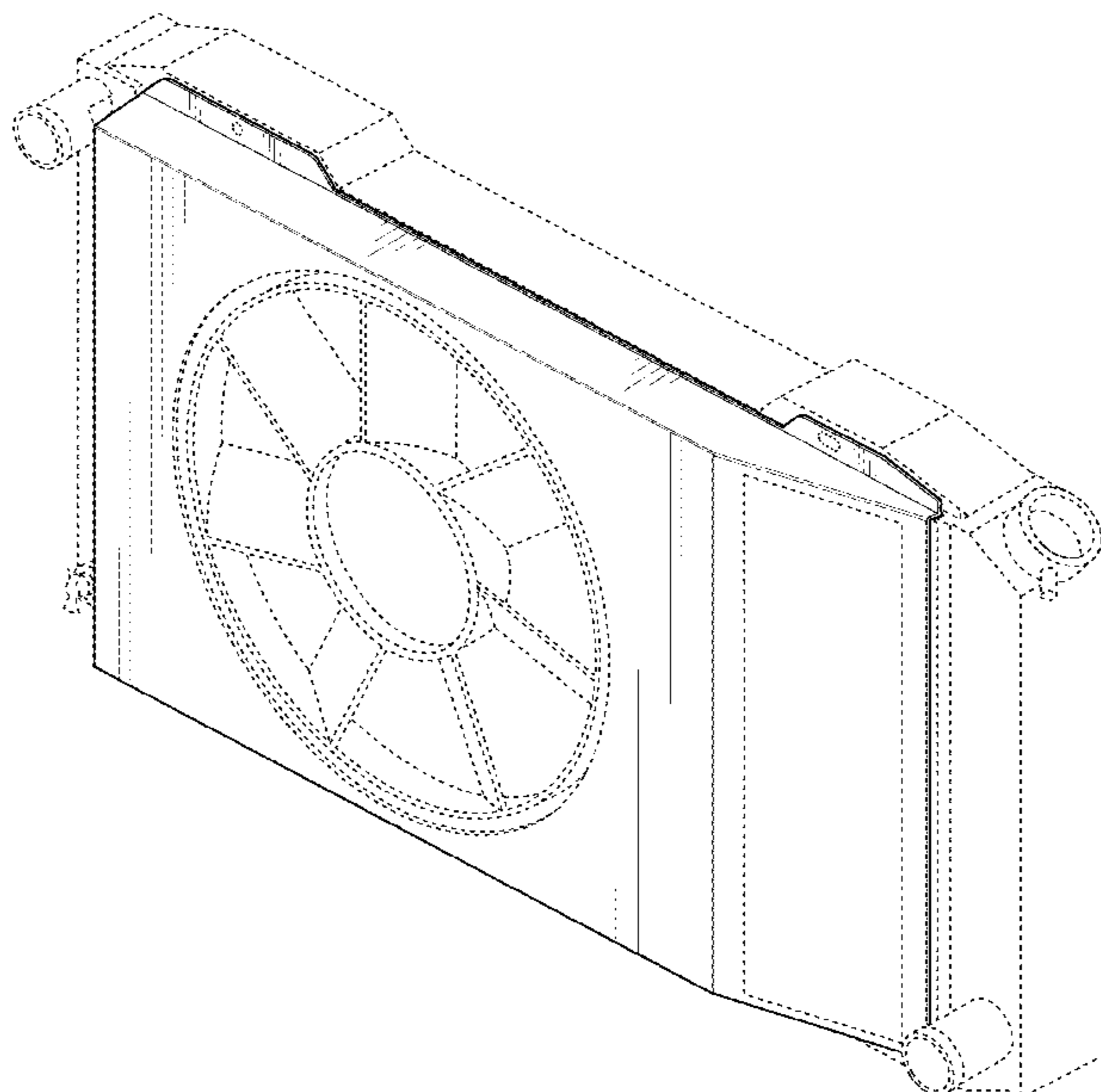
DESCRIPTION

FIG. 1 is front perspective view of a decorative shroud according to the present invention shown for context affixed to a coolant radiator and accompanying flush-fit fan in broken lines;

FIG. 2 is front perspective view of the decorative shroud; FIG. 3 is rear perspective view of the decorative shroud; FIG. 4 is a front elevation view of the decorative shroud; FIG. 5 is a rear elevation view of the decorative shroud; FIG. 6 is a left side elevation view of the decorative shroud; FIG. 7 is a right side elevation view of the decorative shroud; FIG. 8 is a top plan view of the decorative shroud; and, FIG. 9 is a bottom plan view of the decorative shroud.

The broken lines in the drawings illustrate an air flow opening and portions of the decorative shroud that form no part of the claimed design. The broken line showing of the flush-fit fan unit is provided for the purpose of illustrating environmental structure and does not form part of the claimed design.

1 Claim, 7 Drawing Sheets



(56)

References Cited

U.S. PATENT DOCUMENTS

D838,217 S *	1/2019	Li	D12/166
D848,960 S *	5/2019	Fan	D13/179
D876,315 S *	2/2020	Gao	D12/400
2014/0366816 A1 *	12/2014	Platt	F01P 3/20 123/41.3

* cited by examiner

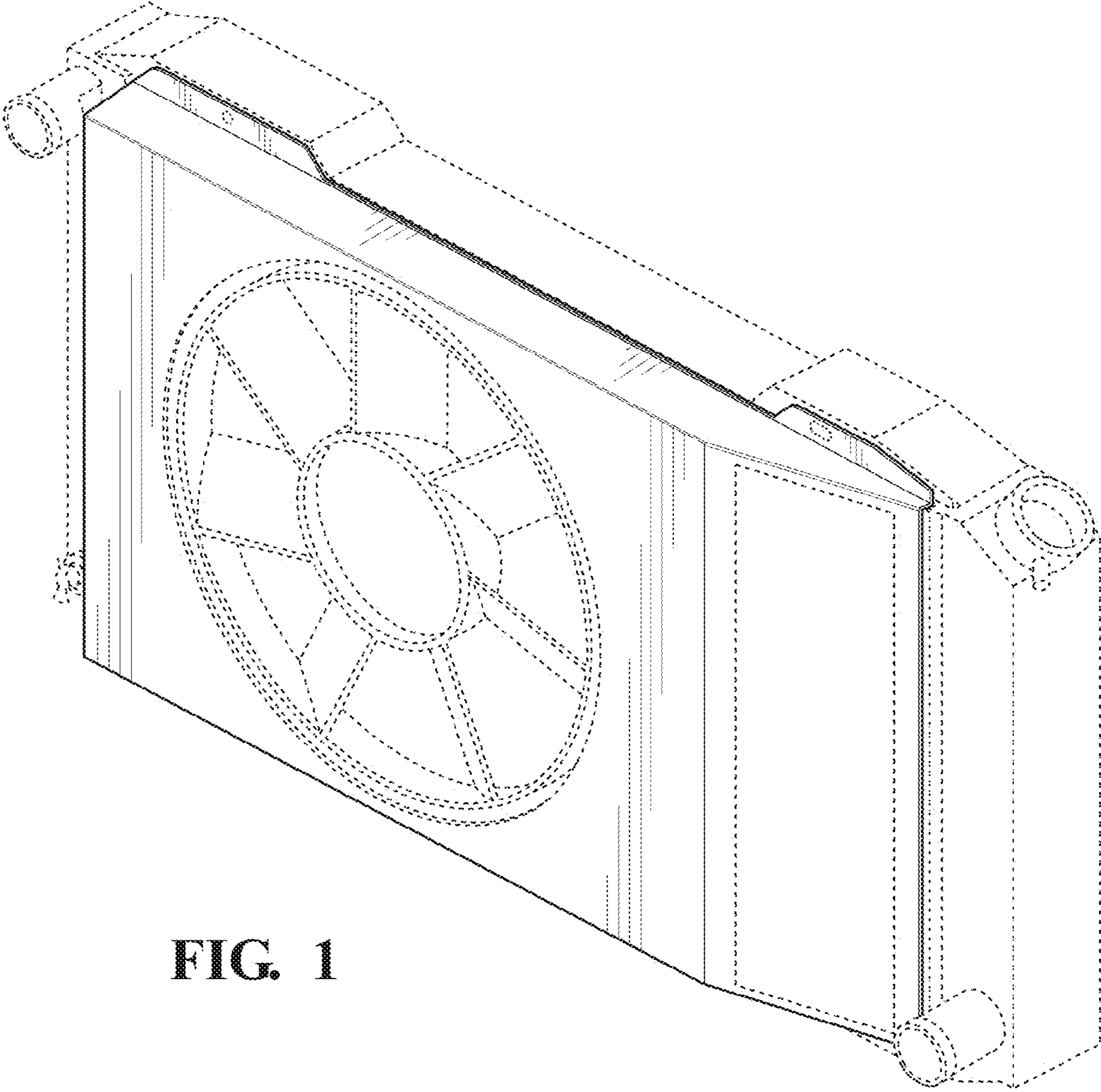


FIG. 1

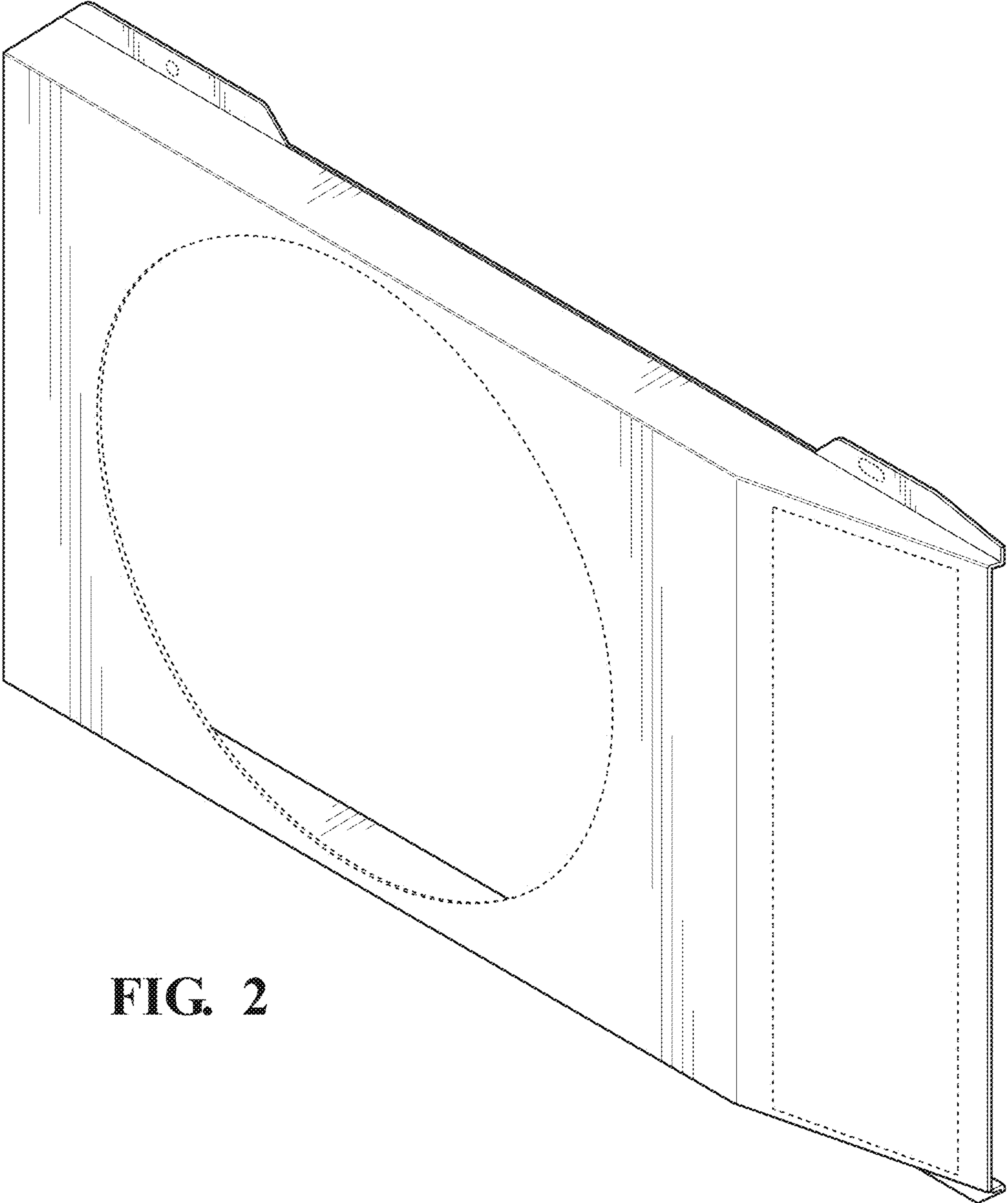


FIG. 2

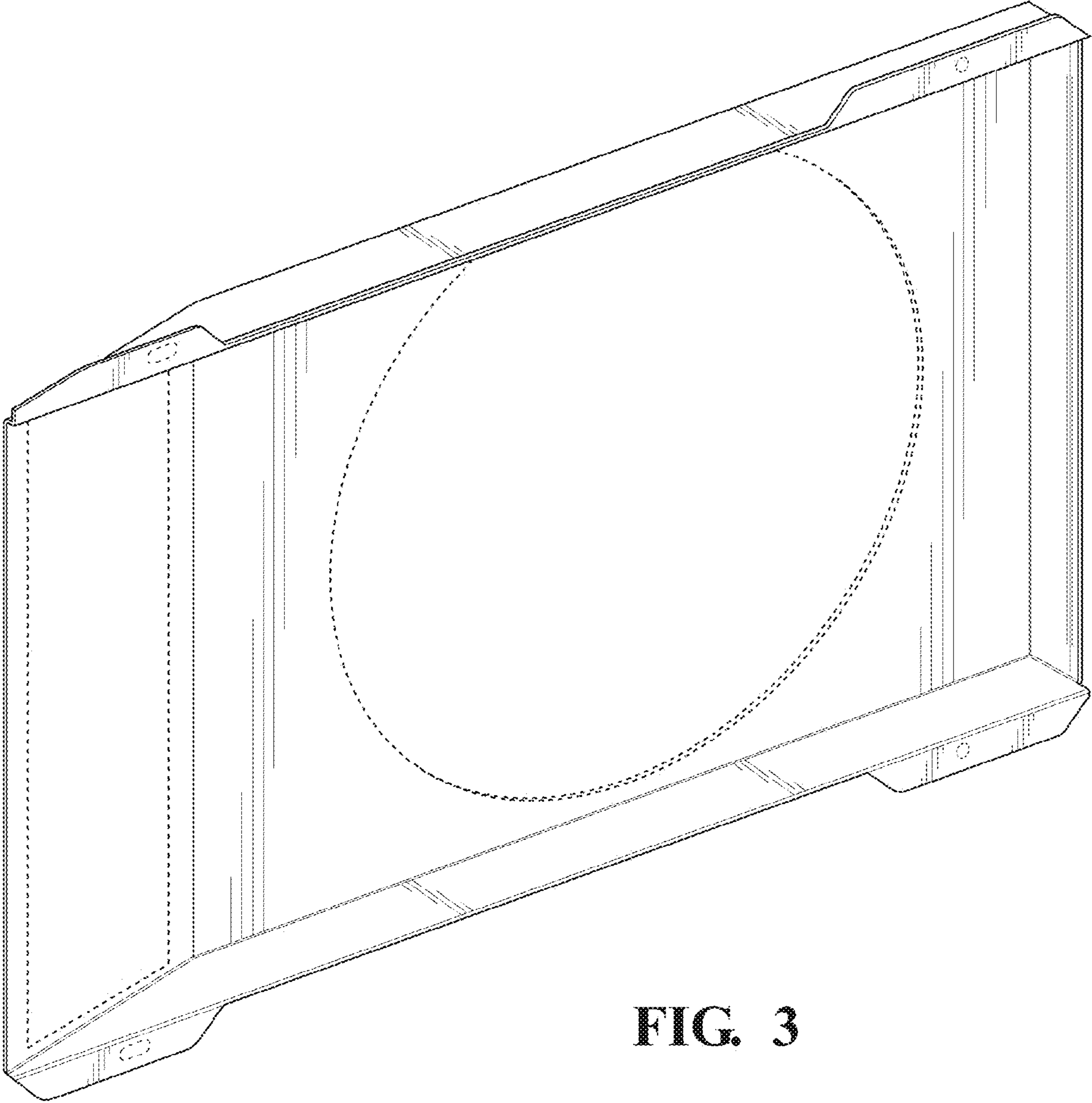


FIG. 3

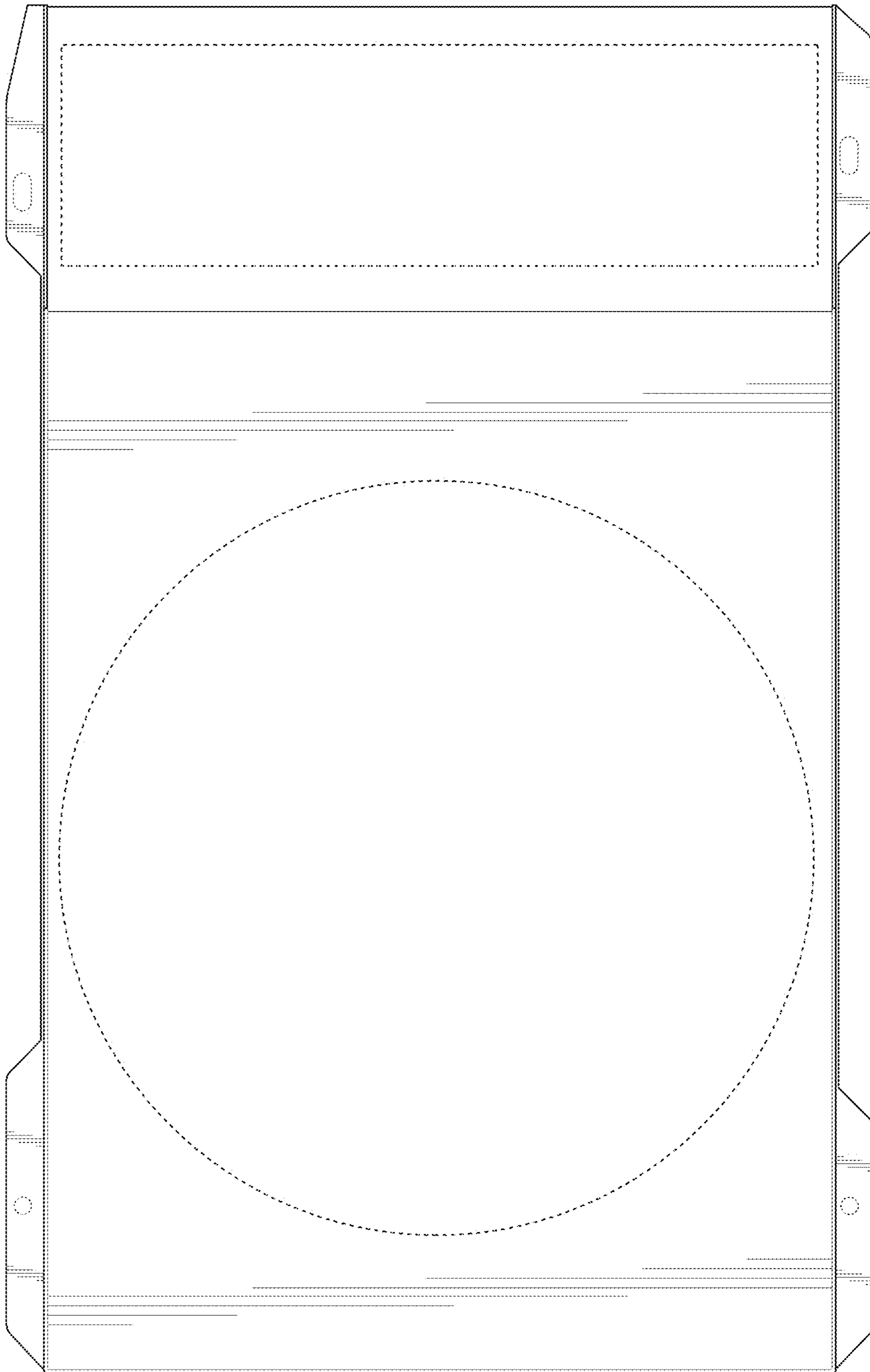


FIG. 4

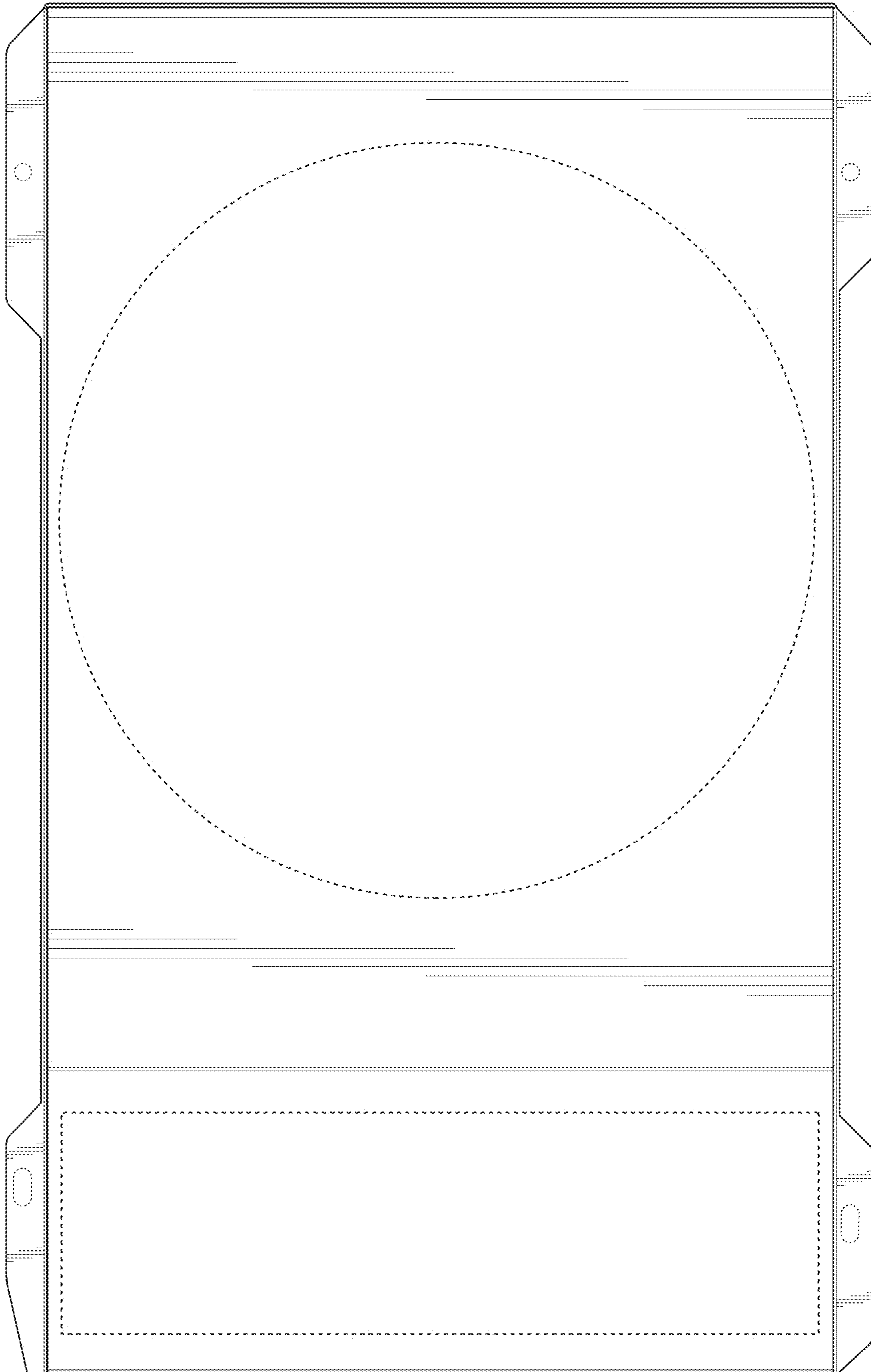


FIG. 5

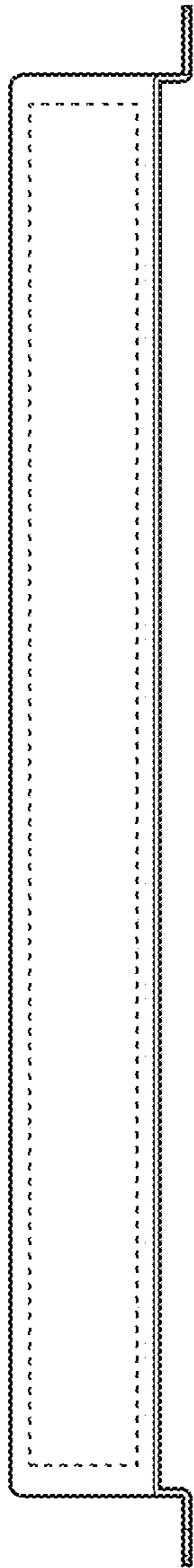


FIG. 6

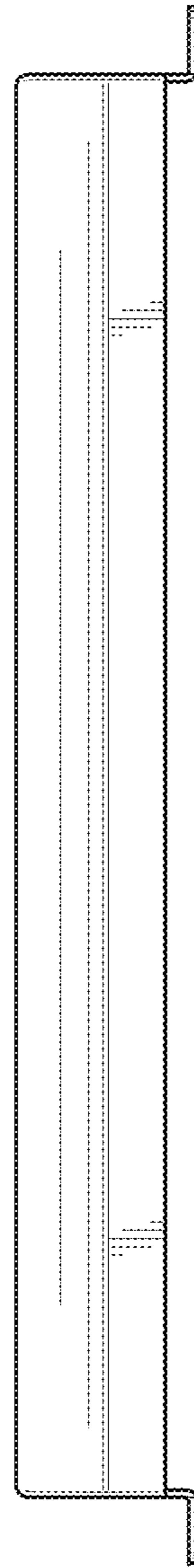


FIG. 7

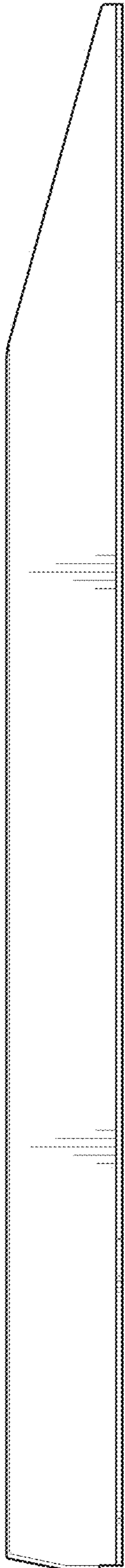


FIG. 8

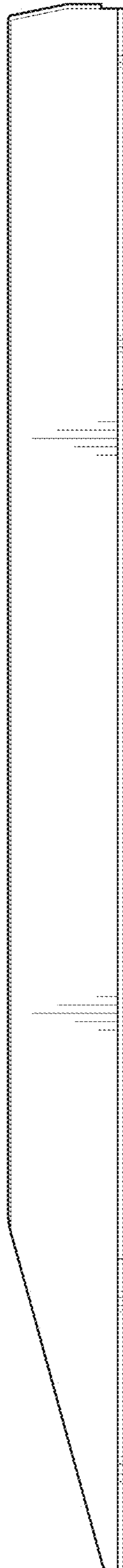


FIG. 9