



US00D891323S

(12) **United States Design Patent**
Peplowski

(10) **Patent No.:** **US D891,323 S**
(45) **Date of Patent:** **** Jul. 28, 2020**

- (54) **FRONT BUMPER FOR A VEHICLE**
- (71) Applicant: **Bayerische Motoren Werke Aktiengesellschaft, Munich (DE)**
- (72) Inventor: **Jacek Peplowski, Munich (DE)**
- (73) Assignee: **Bayerische Motoren Werke Aktiengesellschaft, Munich (DE)**

D823,747 S *	7/2018	Tsarukyan	D12/169
D825,416 S *	8/2018	Al Attar	D12/169
D829,619 S *	10/2018	Kim	D12/169
D829,620 S *	10/2018	Lim	D12/169
D840,296 S *	2/2019	Buckingham	D12/169
D844,508 S *	4/2019	Elstner	D12/169
D848,326 S *	5/2019	Ojea	D12/169
D864,056 S *	10/2019	Morikawa	D12/169
D867,233 S *	11/2019	Peplowski	D12/169

- (**) Term: **15 Years**
- (21) Appl. No.: **29/691,055**
- (22) Filed: **May 14, 2019**

FOREIGN PATENT DOCUMENTS

EM	001132864-0001	6/2009
WO	WO DM/068441	1/2007
WO	WO DM/069072	12/2007

- (30) **Foreign Application Priority Data**
- Nov. 20, 2018 (DE) 40 2018 101 182
- (51) **LOC (12) Cl.** **12-16**
- (52) **U.S. Cl.**
- USPC **D12/169**
- (58) **Field of Classification Search**
- USPC D12/169, 164, 196, 171, 163, 86, 90-92;
293/102, 113, 115, 117, 120; 296/180.1,
296/180.2
- CPC B60R 19/02; B60R 19/04; B62D 25/08
- See application file for complete search history.

* cited by examiner

Primary Examiner — Melody N Brown
(74) *Attorney, Agent, or Firm* — Crowell & Moring LLP

- (56) **References Cited**
- U.S. PATENT DOCUMENTS
- D570,261 S 6/2008 Baum
- D584,200 S 1/2009 Leclercq
- D610,956 S 3/2010 Truebsbach
- D678,146 S * 3/2013 Behmer D12/169
- D695,162 S * 12/2013 Scheinhutte D12/169
- D695,164 S * 12/2013 Futschik D12/169
- D813,113 S * 3/2018 Zurian D12/169
- D813,737 S * 3/2018 Beermann D12/169
- D819,524 S * 6/2018 Behmer D12/169
- D823,746 S * 7/2018 Lim D12/169

(57) **CLAIM**

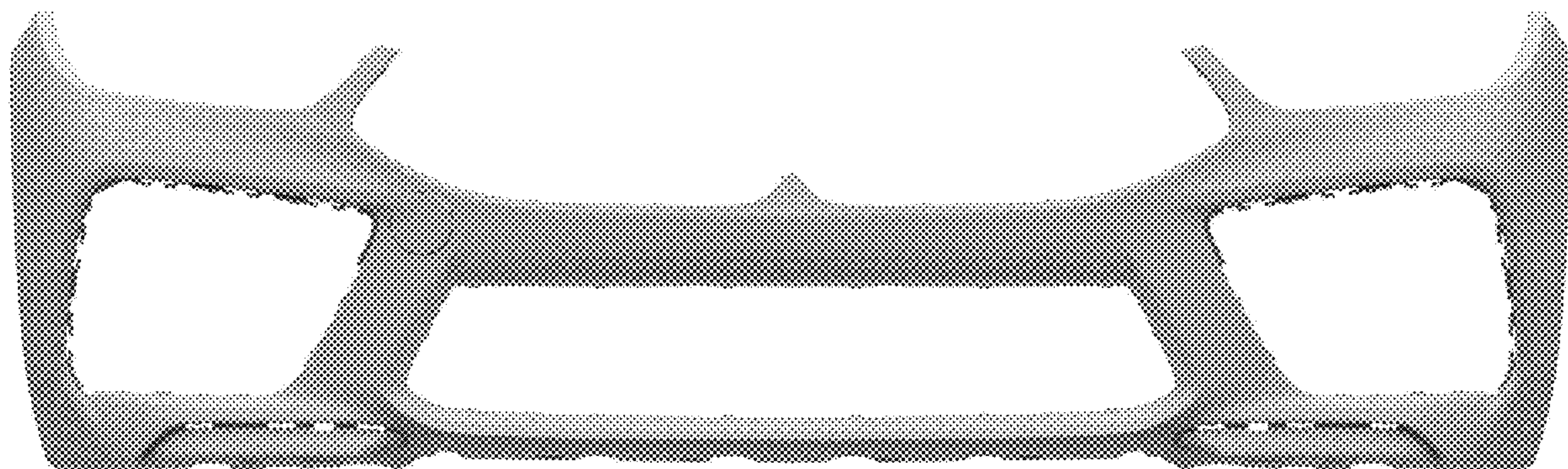
The ornamental design for a front bumper for a vehicle, as shown and described.

DESCRIPTION

This application contains subject matter related to the following co-pending U.S. design patent applications: Application Ser. No. 29/691,053, filed herewith and entitled "Vehicle, Toy, and/or Replicas Thereof"; and Application Ser. No. 29/691,054, filed herewith and entitled "Vehicle, Toy, and/or Replicas Thereof".

FIG. 1 is a front view of a front bumper for a vehicle according to the design;
FIG. 2 is a right, front perspective view thereof;
FIG. 3 is a left, bottom perspective view thereof;
FIG. 4 is a right side view thereof;
FIG. 5 is a left side view thereof;
FIG. 6 is a top view thereof;
FIG. 7 is a bottom view thereof; and,
FIG. 8 is a rear view thereof.

1 Claim, 8 Drawing Sheets



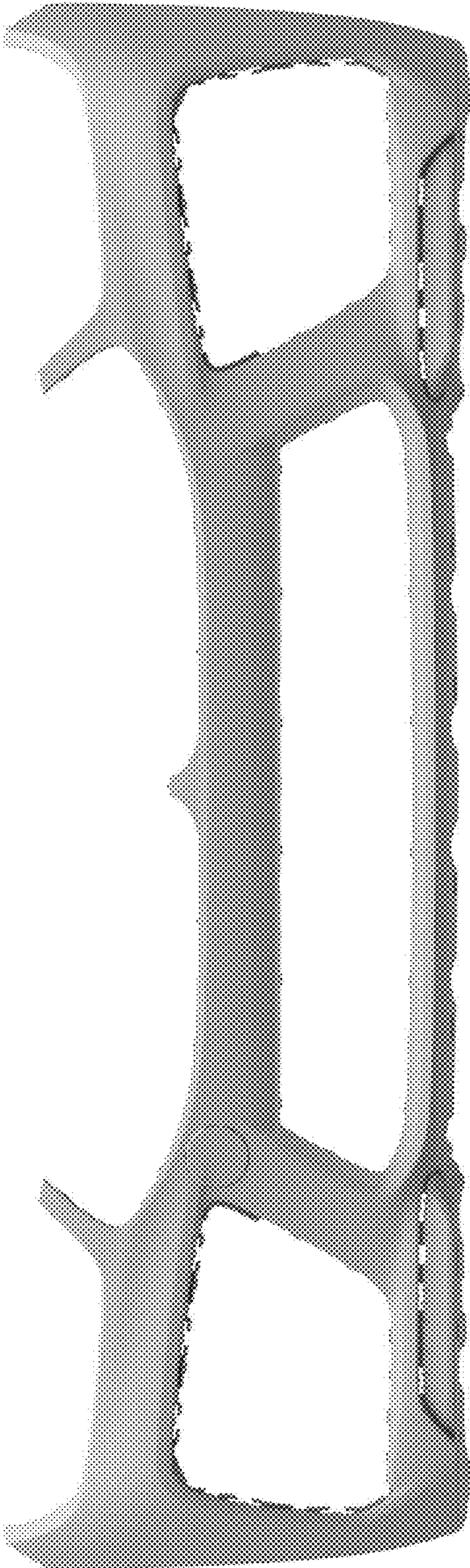


Fig. 1

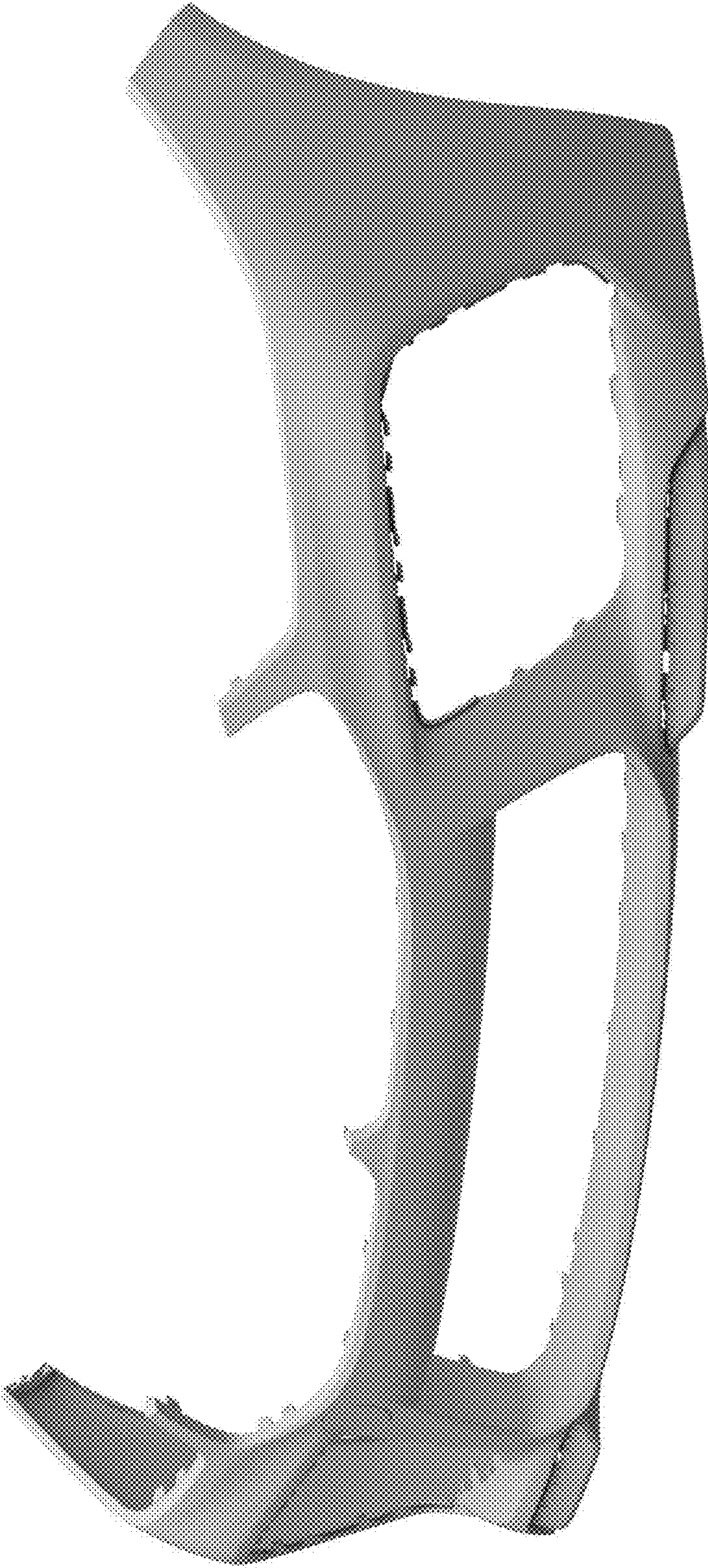


Fig. 2

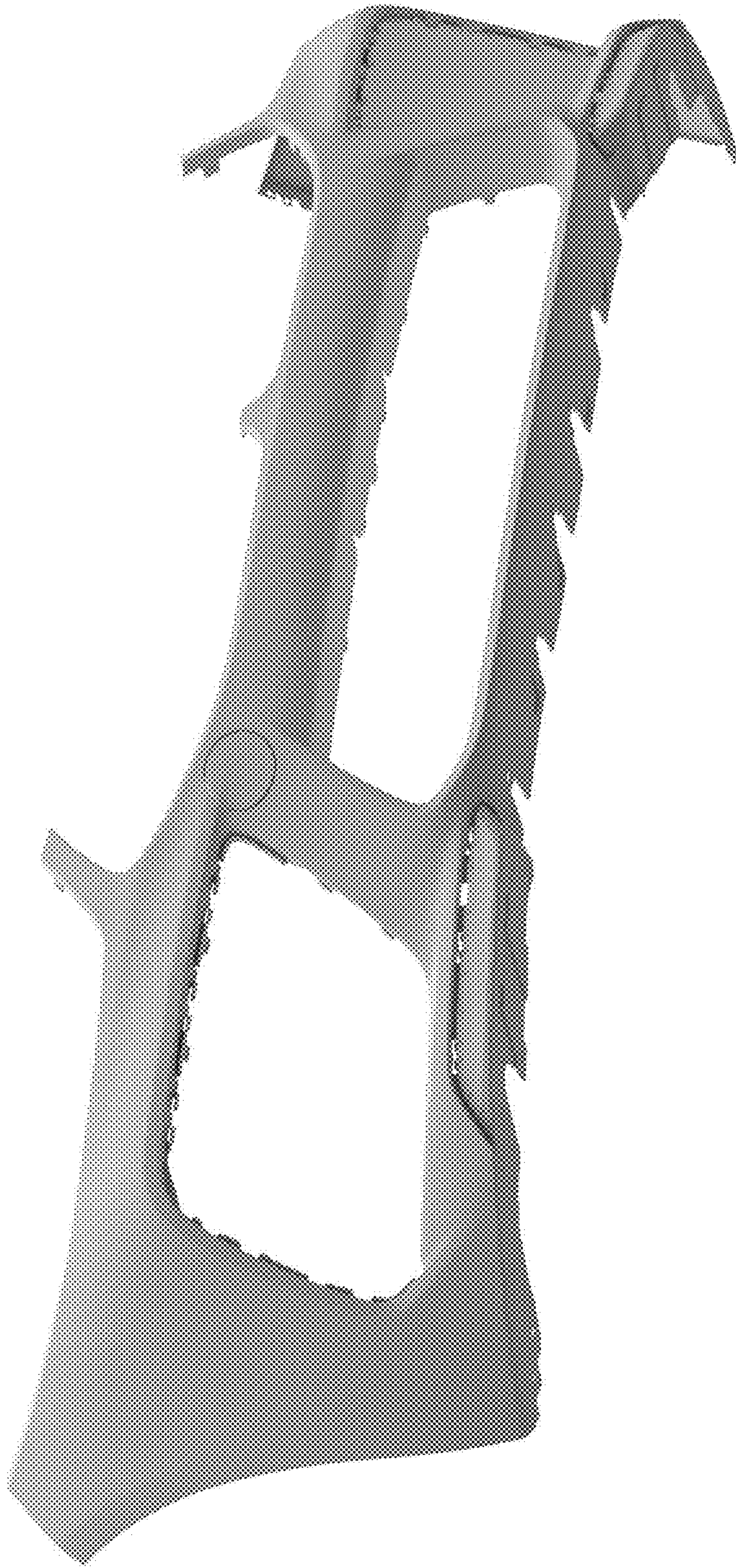


Fig. 3

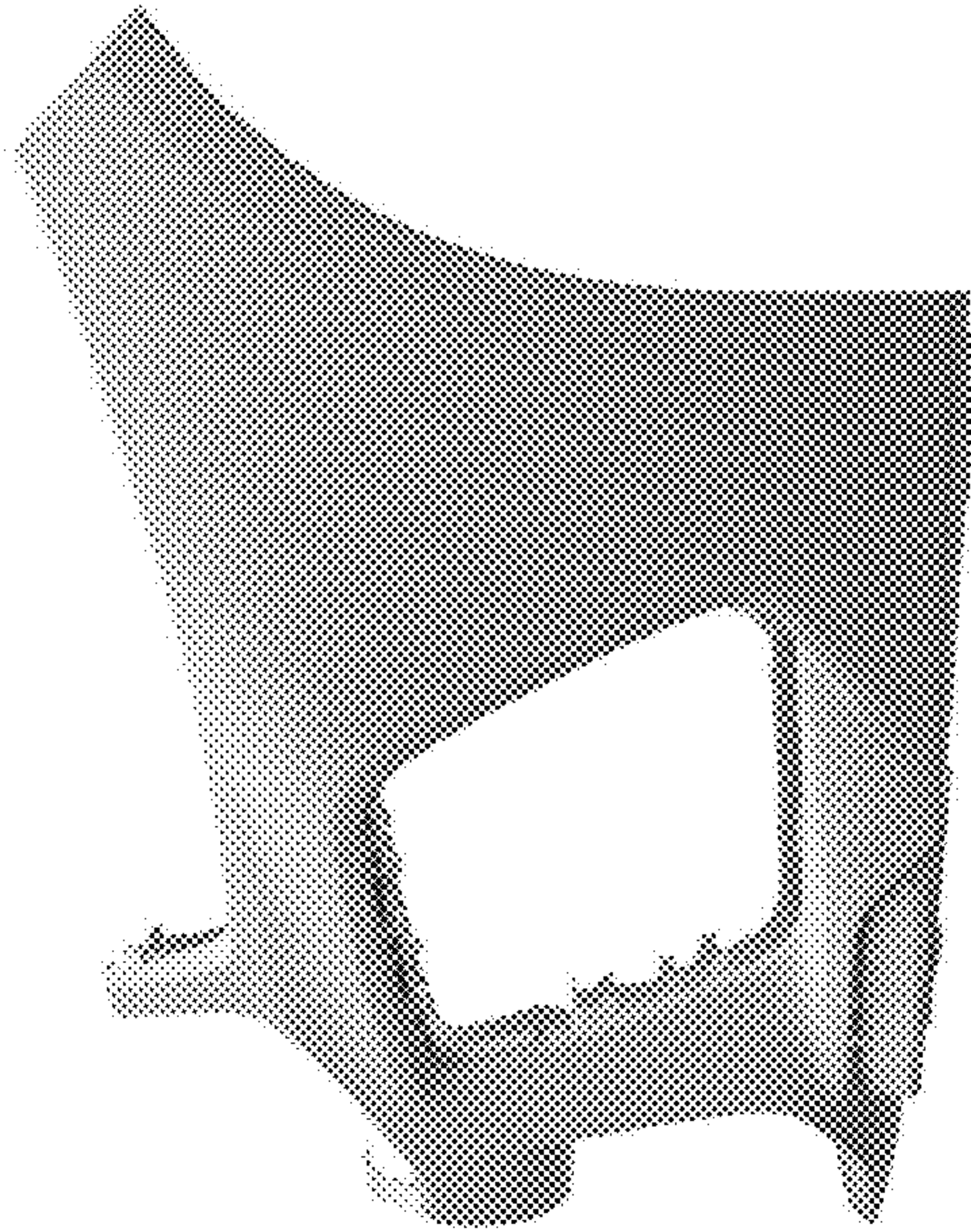


Fig. 4

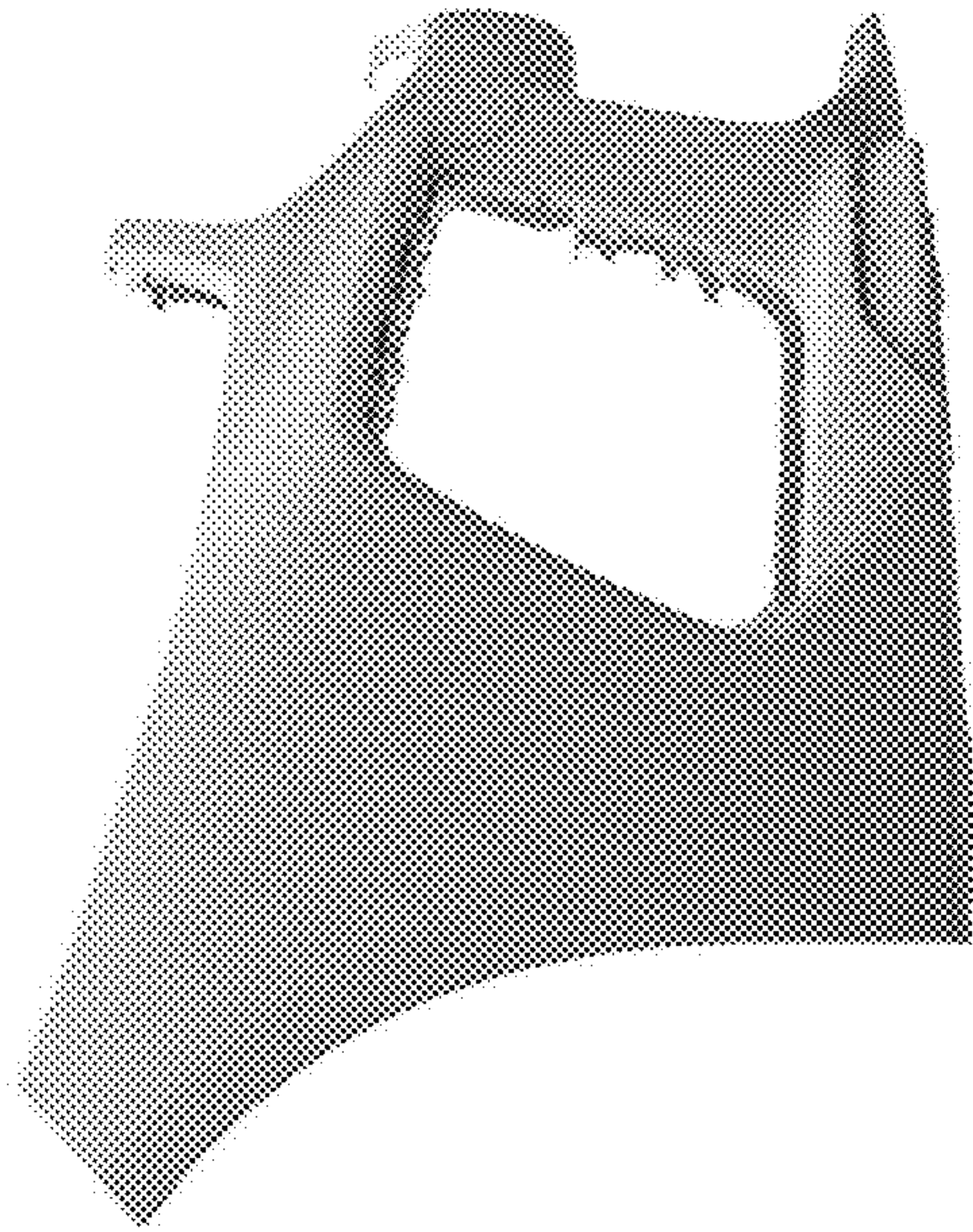


Fig. 5

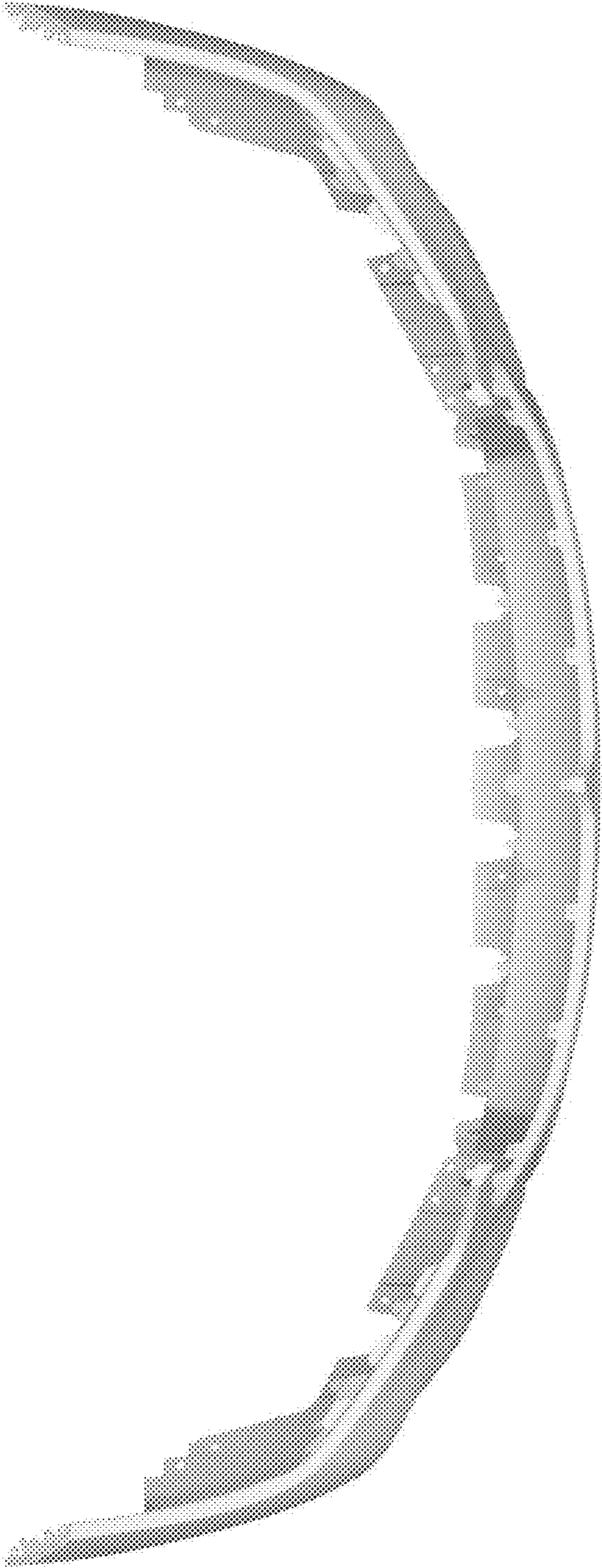


Fig. 6

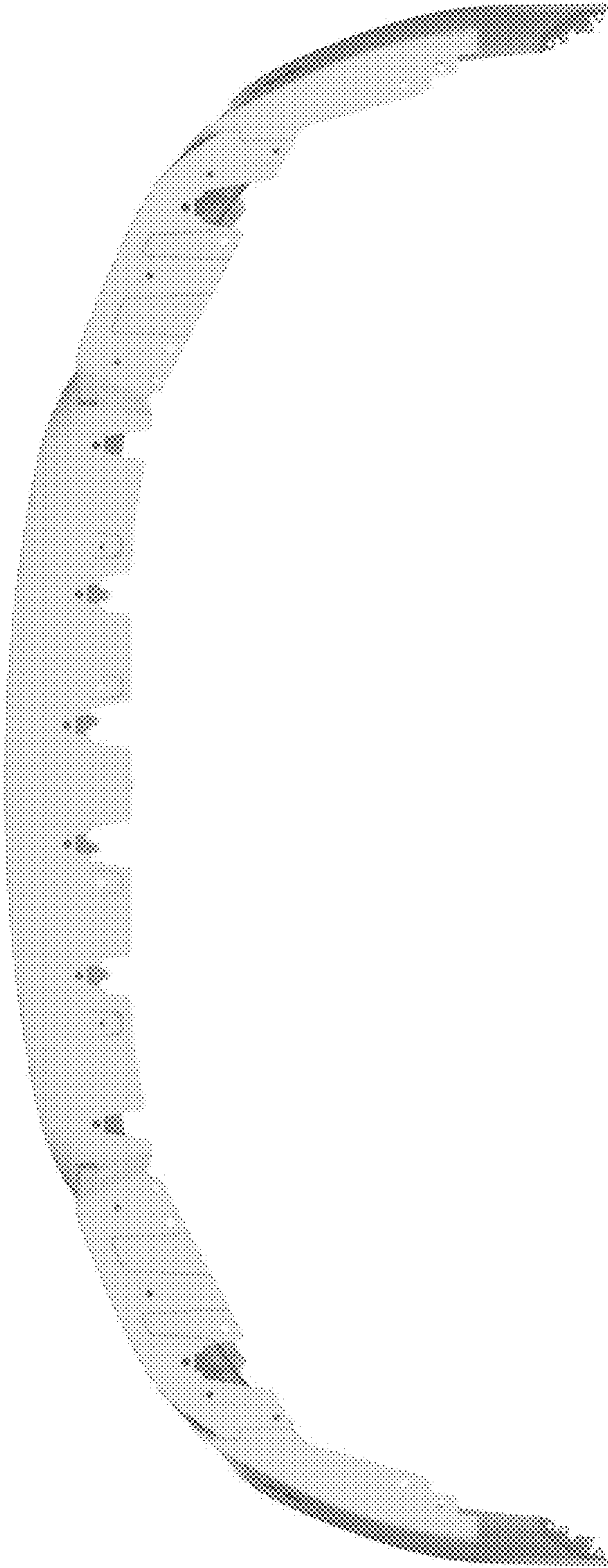


Fig. 7

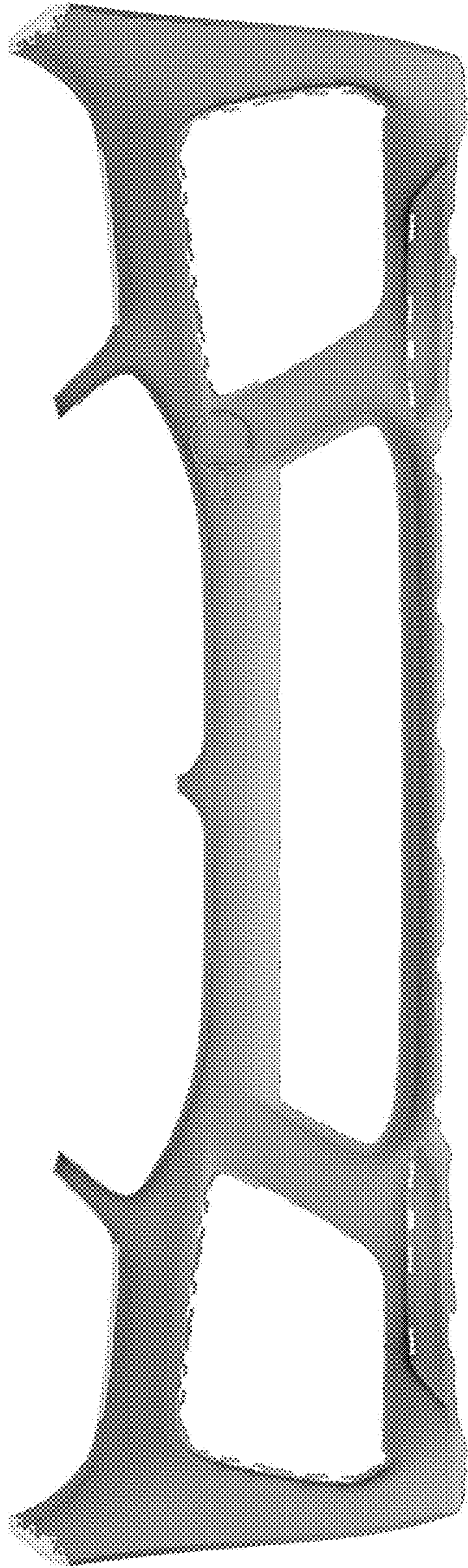


Fig. 8