



US00D891322S

(12) **United States Design Patent**  
**Woodhouse et al.**

(10) **Patent No.:** **US D891,322 S**  
(45) **Date of Patent:** **\*\* Jul. 28, 2020**

(54) **VEHICLE FRONT UPPER BUMPER COVER**

(71) Applicant: **Ford Global Technologies, LLC,**  
Dearborn, MI (US)

(72) Inventors: **David Woodhouse,** Troy, MI (US);  
**Kemal Curic,** Irvine, CA (US); **Shawn**  
**Wehrly,** Northville, MI (US); **Hojoon**  
**Kang,** Novi, MI (US)

(73) Assignee: **Ford Global Technologies, LLC,**  
Dearborn, MI (US)

(\*\*) Term: **15 Years**

(21) Appl. No.: **29/685,588**

(22) Filed: **Mar. 29, 2019**

(51) **LOC (12) Cl.** ..... **12-16**

(52) **U.S. Cl.**  
USPC ..... **D12/169**

(58) **Field of Classification Search**  
USPC .... D12/169, 164, 196, 171, 163, 86, 90-92;  
293/102, 113, 115, 117, 120; 296/180.1,  
296/180.2  
CPC ..... B60R 19/02; B60R 19/04; B62D 25/08  
See application file for complete search history.

(56) **References Cited**

**U.S. PATENT DOCUMENTS**

D540,723 S \* 4/2007 Schiavone ..... D12/169  
D703,118 S 4/2014 Gueler et al.

D727,224 S \* 4/2015 Wolff ..... D12/169  
D739,316 S 9/2015 Blanski et al.  
D753,034 S \* 4/2016 Thole ..... D12/169  
D792,295 S \* 7/2017 McCabe ..... D12/169  
D793,296 S \* 8/2017 Smith ..... D12/169  
D819,527 S \* 6/2018 Woodhouse ..... D12/169  
D856,216 S \* 8/2019 Woodhouse ..... D12/169  
D863,145 S \* 10/2019 Woodhouse ..... D12/164  
D873,187 S \* 1/2020 Beaven ..... D12/169

\* cited by examiner

*Primary Examiner* — Melody N Brown

(74) *Attorney, Agent, or Firm* — Vichit Chea

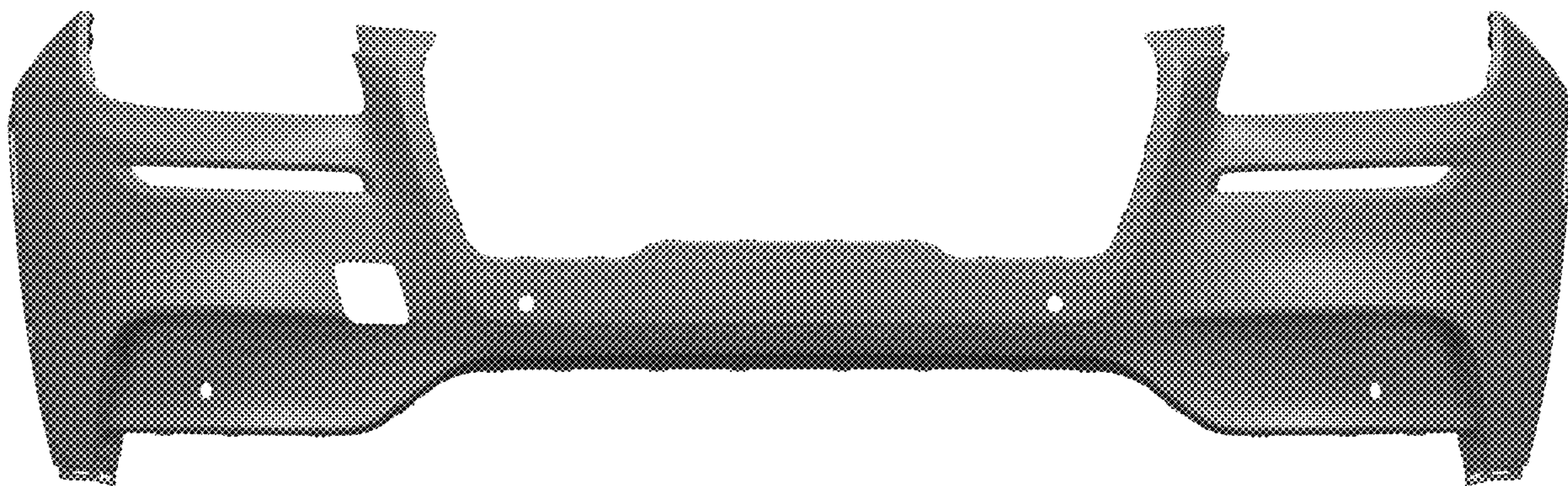
(57) **CLAIM**

The ornamental design for a vehicle front bumper cover, as shown and described.

**DESCRIPTION**

FIG. 1 is a front elevational view of a vehicle front bumper cover, showing our new design;  
FIG. 2 is a left side elevational view thereof;  
FIG. 3 is a right side elevational view thereof;  
FIG. 4 is a top plan view thereof;  
FIG. 5 is a bottom plan view thereof;  
FIG. 6 is a top, front, and left side perspective view thereof;  
and,  
FIG. 7 is a bottom, front, and left side perspective view thereof.

**1 Claim, 7 Drawing Sheets**



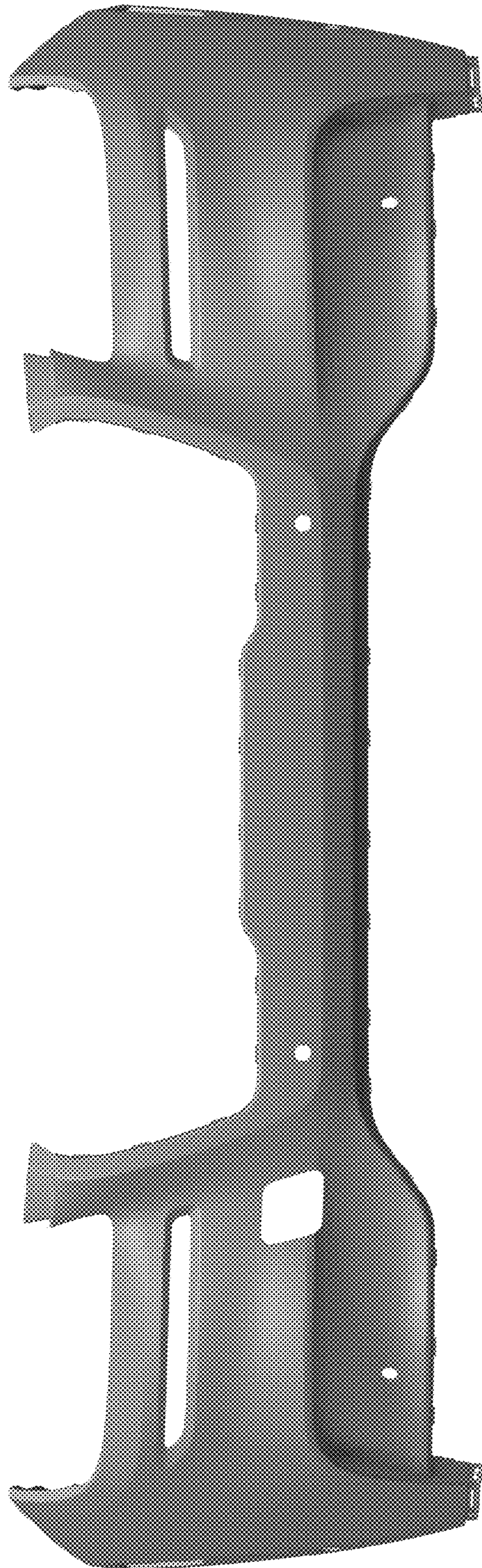


Fig. 1

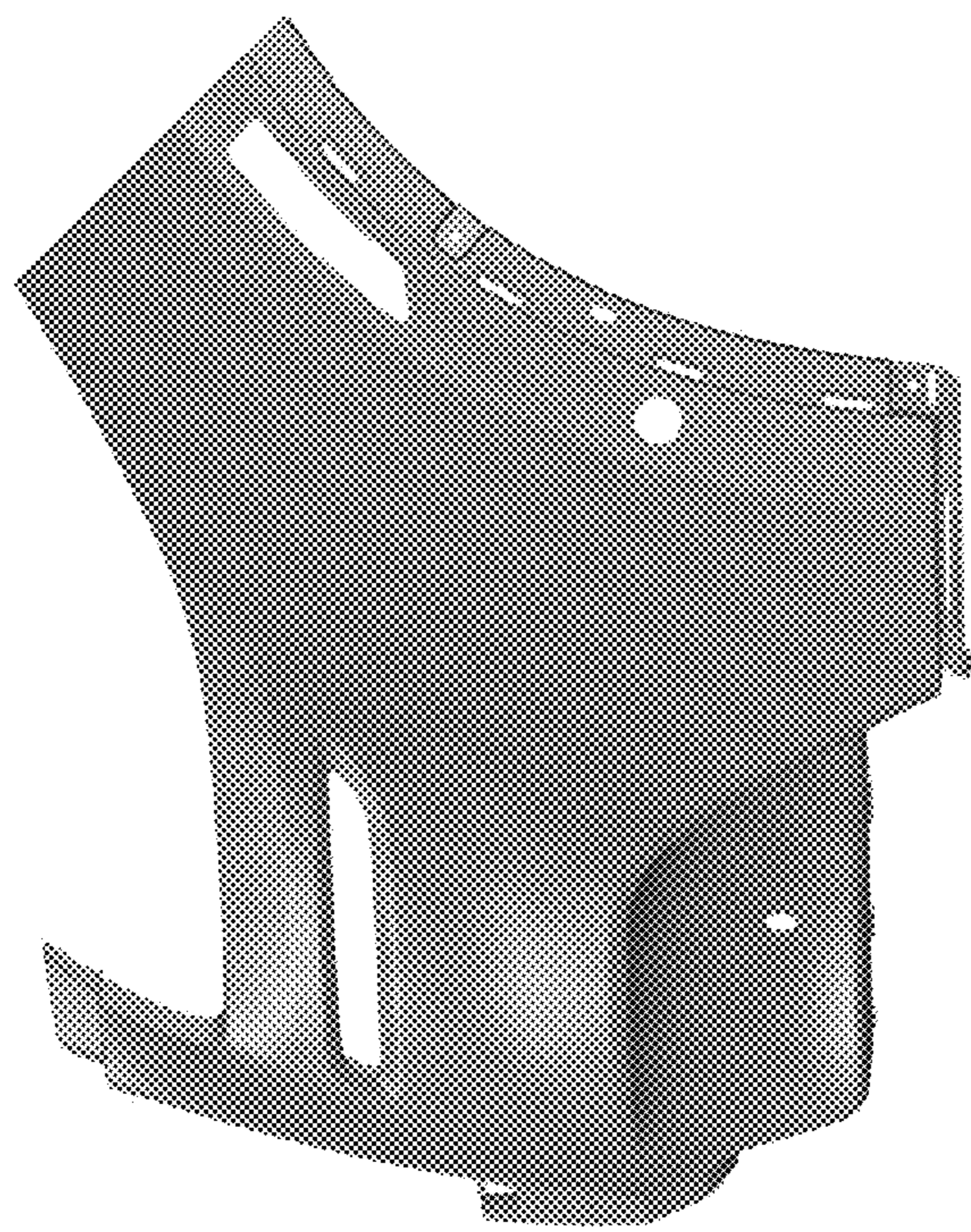


Fig.2

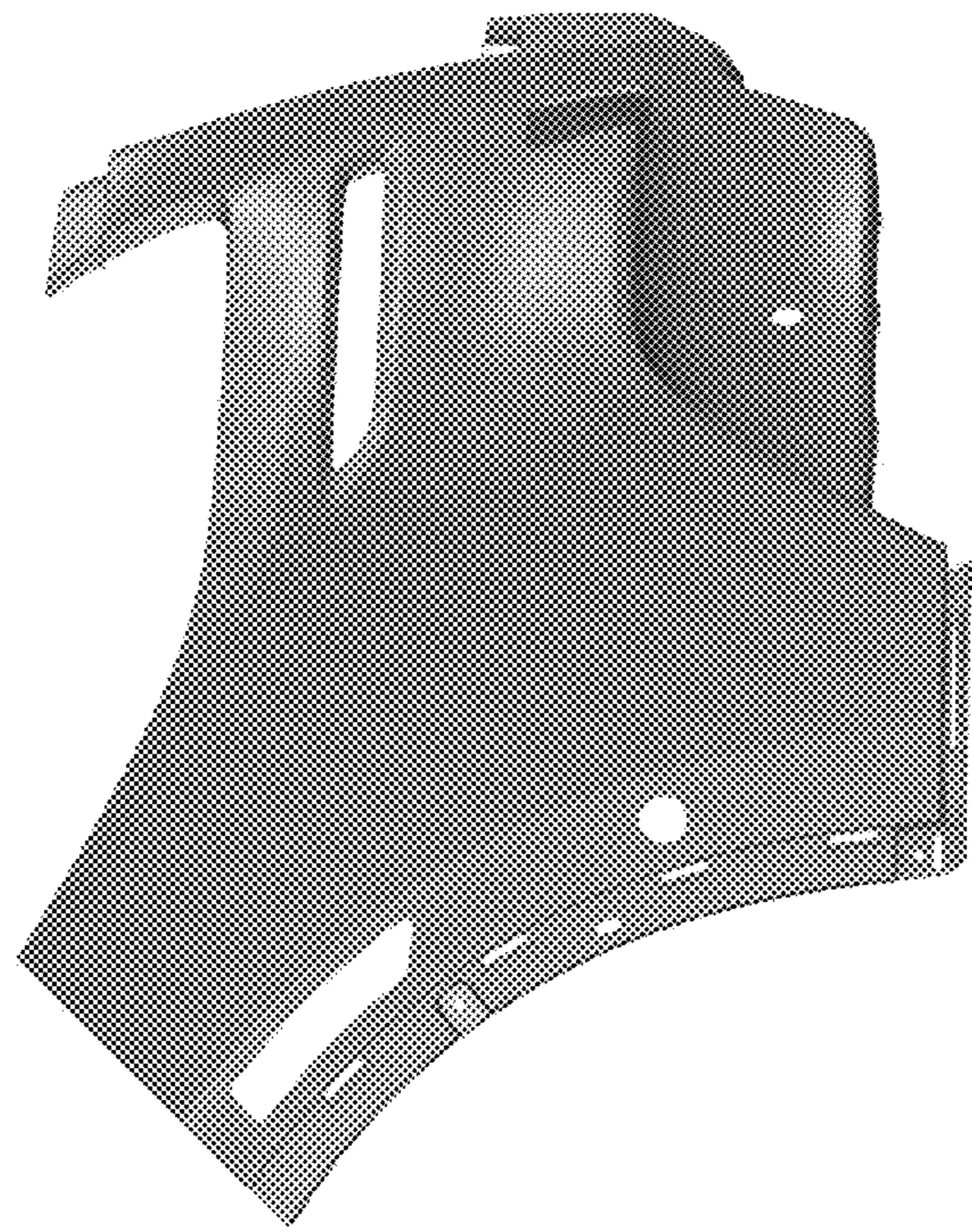


Fig. 3

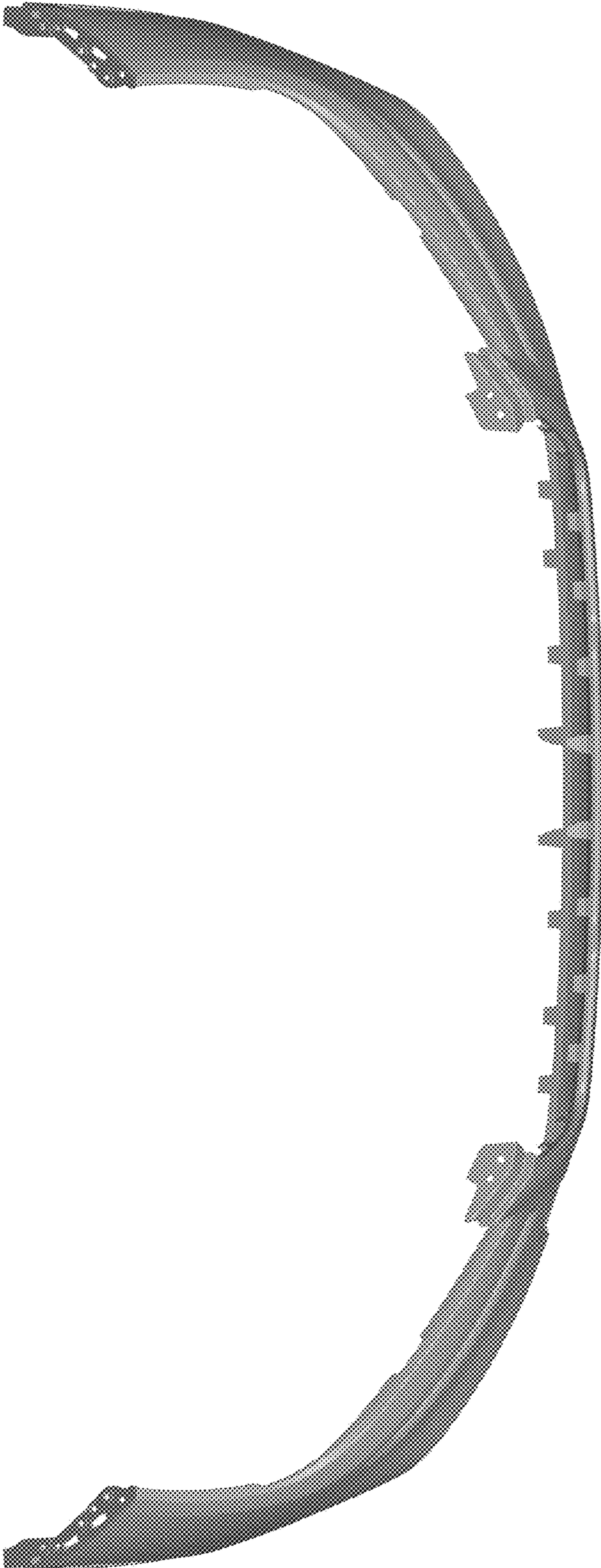
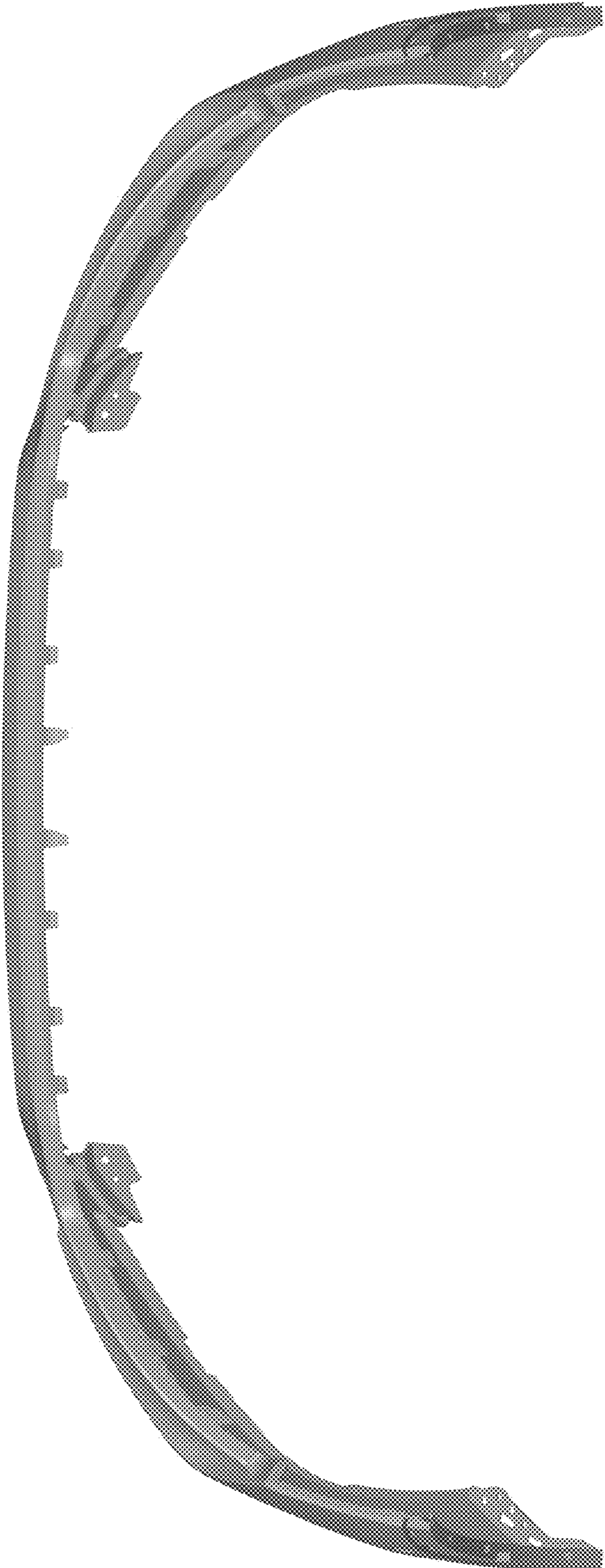


Fig. 4

Fig. 5



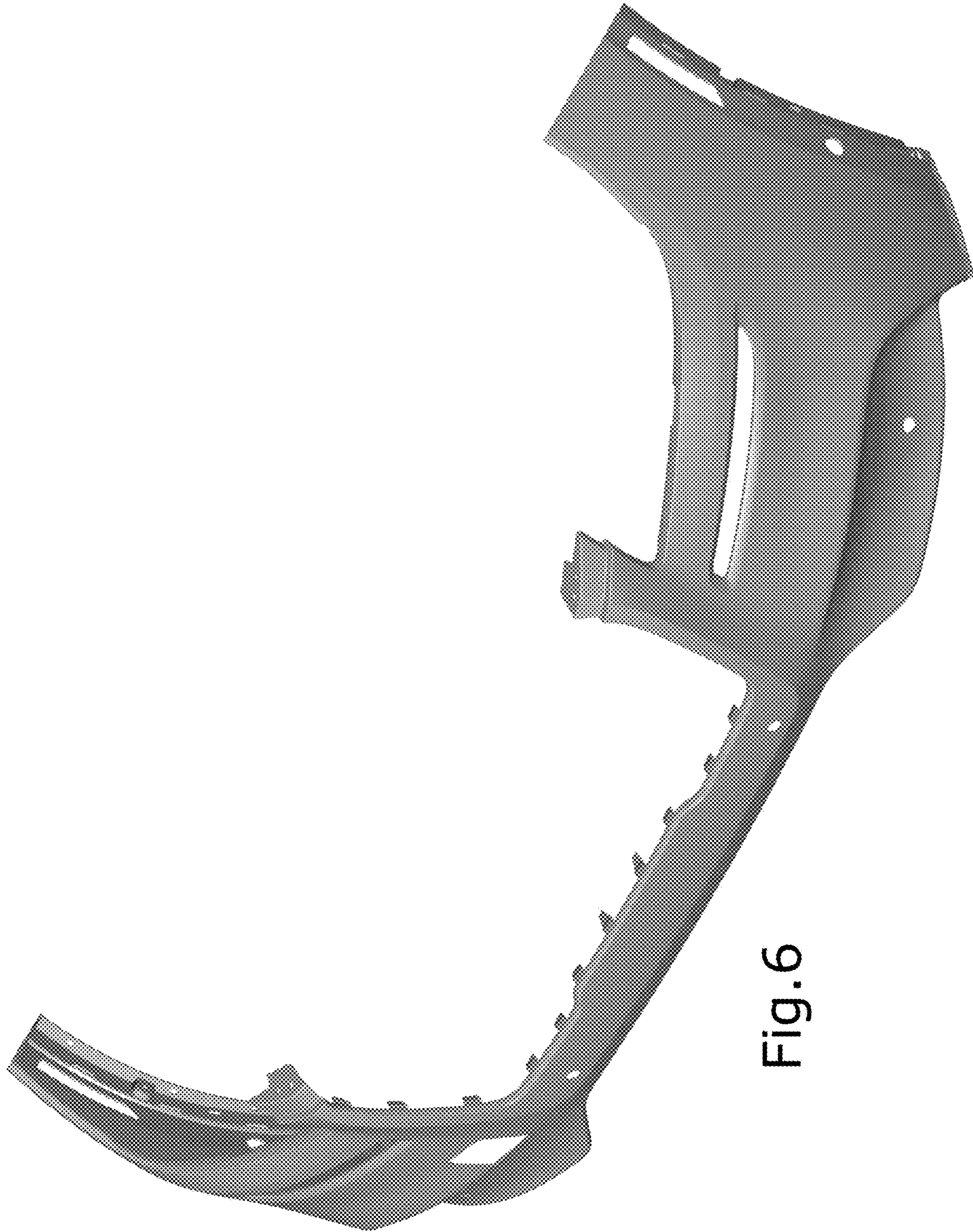


Fig. 6

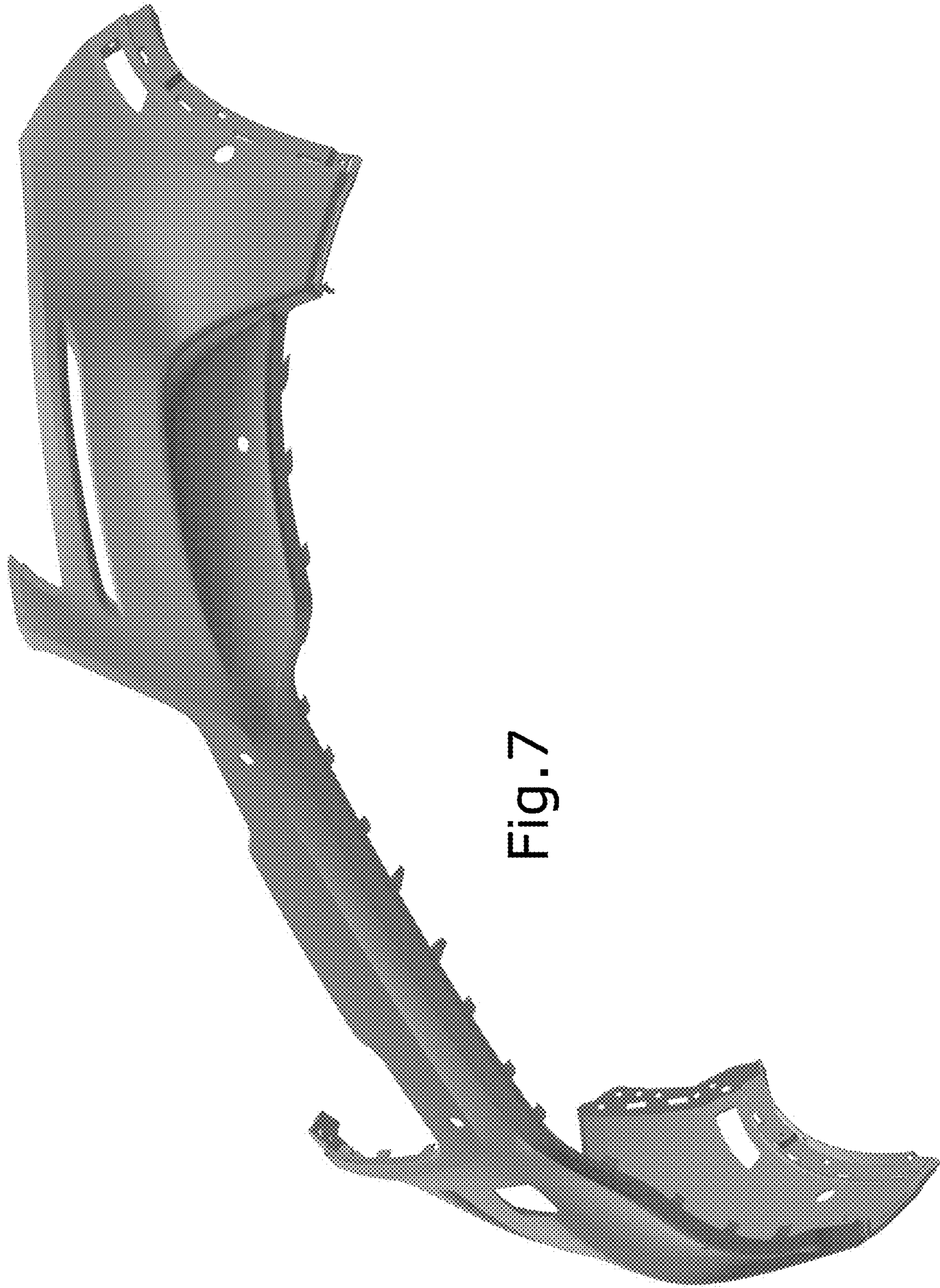


Fig. 7