



US00D891321S

(12) **United States Design Patent**
Woodhouse et al.

(10) **Patent No.:** **US D891,321 S**

(45) **Date of Patent:** **** Jul. 28, 2020**

(54) **VEHICLE FRONT BUMPER COVER**

(71) Applicant: **Ford Global Technologies, LLC,**
Dearborn, MI (US)

(72) Inventors: **David Woodhouse,** Troy, MI (US);
Kemal Curic, Irvine, CA (US); **Shawn Wehrly,** Northville, MI (US); **Hojoon Kang,** Novi, MI (US)

(73) Assignee: **Ford Global Technologies, LLC,**
Dearborn, MI (US)

(**) Term: **15 Years**

(21) Appl. No.: **29/685,587**

(22) Filed: **Mar. 29, 2019**

(51) **LOC (12) Cl.** **12-16**

(52) **U.S. Cl.**
USPC **D12/169**

(58) **Field of Classification Search**
USPC D12/169, 164, 196, 171, 163, 86, 90-92;
293/102, 113, 115, 117, 120; 296/180.1,
296/180.2
CPC B60R 19/02; B60R 19/04; B62D 25/08
See application file for complete search history.

(56) **References Cited**

U.S. PATENT DOCUMENTS

D540,723 S * 4/2007 Schiavone D12/169
D703,118 S 4/2014 Gueler et al.

D727,224 S * 4/2015 Wolff D12/169
D739,316 S 9/2015 Blanski et al.
D753,034 S * 4/2016 Thole D12/169
D792,295 S * 7/2017 McCabe D12/169
D793,296 S * 8/2017 Smith D12/169
D819,527 S * 6/2018 Woodhouse D12/169
D856,216 S * 8/2019 Woodhouse D12/169
D863,145 S * 10/2019 Woodhouse D12/164
D873,187 S * 1/2020 Beaven D12/169

* cited by examiner

Primary Examiner — Melody N Brown

(74) *Attorney, Agent, or Firm* — Vichit Chea

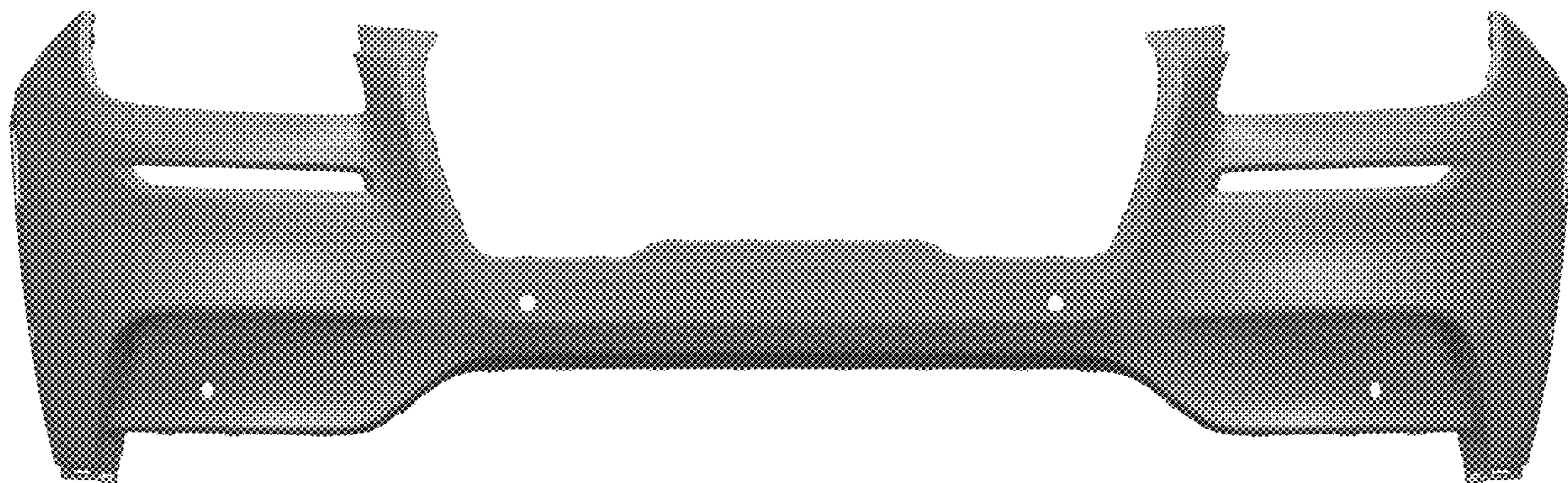
(57) **CLAIM**

The ornamental design for a vehicle front bumper cover, as shown and described.

DESCRIPTION

FIG. 1 is a front elevational view of a vehicle front bumper cover, showing our new design;
FIG. 2 is a left side elevational view thereof;
FIG. 3 is a right side elevational view thereof;
FIG. 4 is a top plan view thereof;
FIG. 5 is a bottom plan view thereof;
FIG. 6 is a top, front, and left side perspective view thereof;
and,
FIG. 7 is a bottom, front, and left side perspective view thereof.

1 Claim, 7 Drawing Sheets



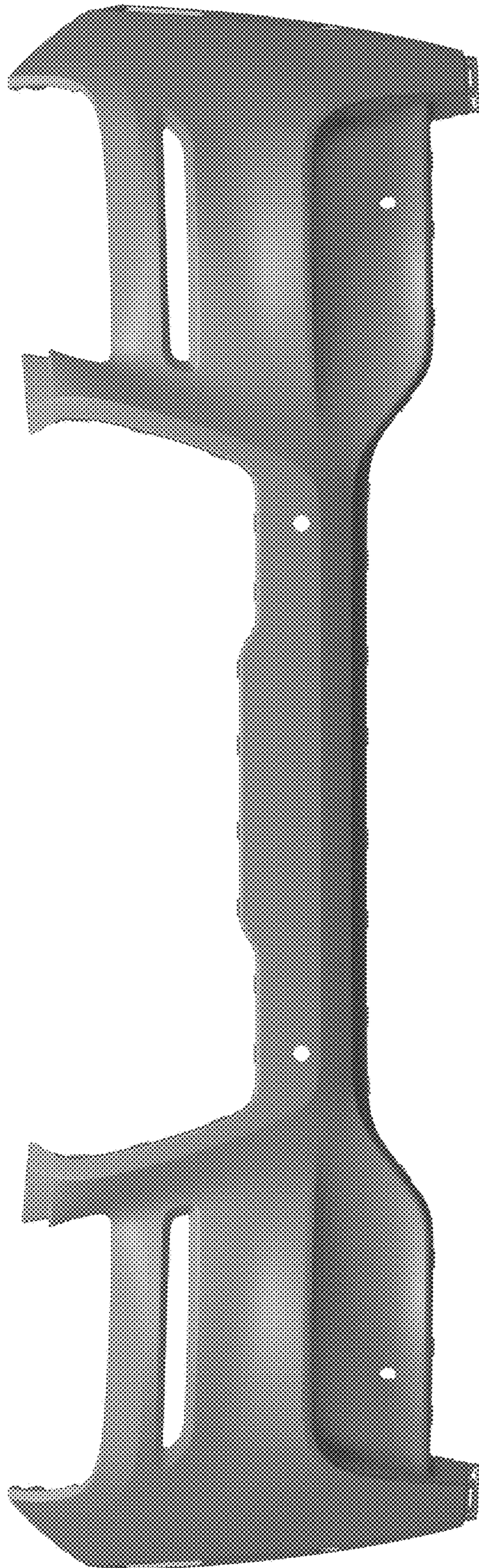


Fig. 1

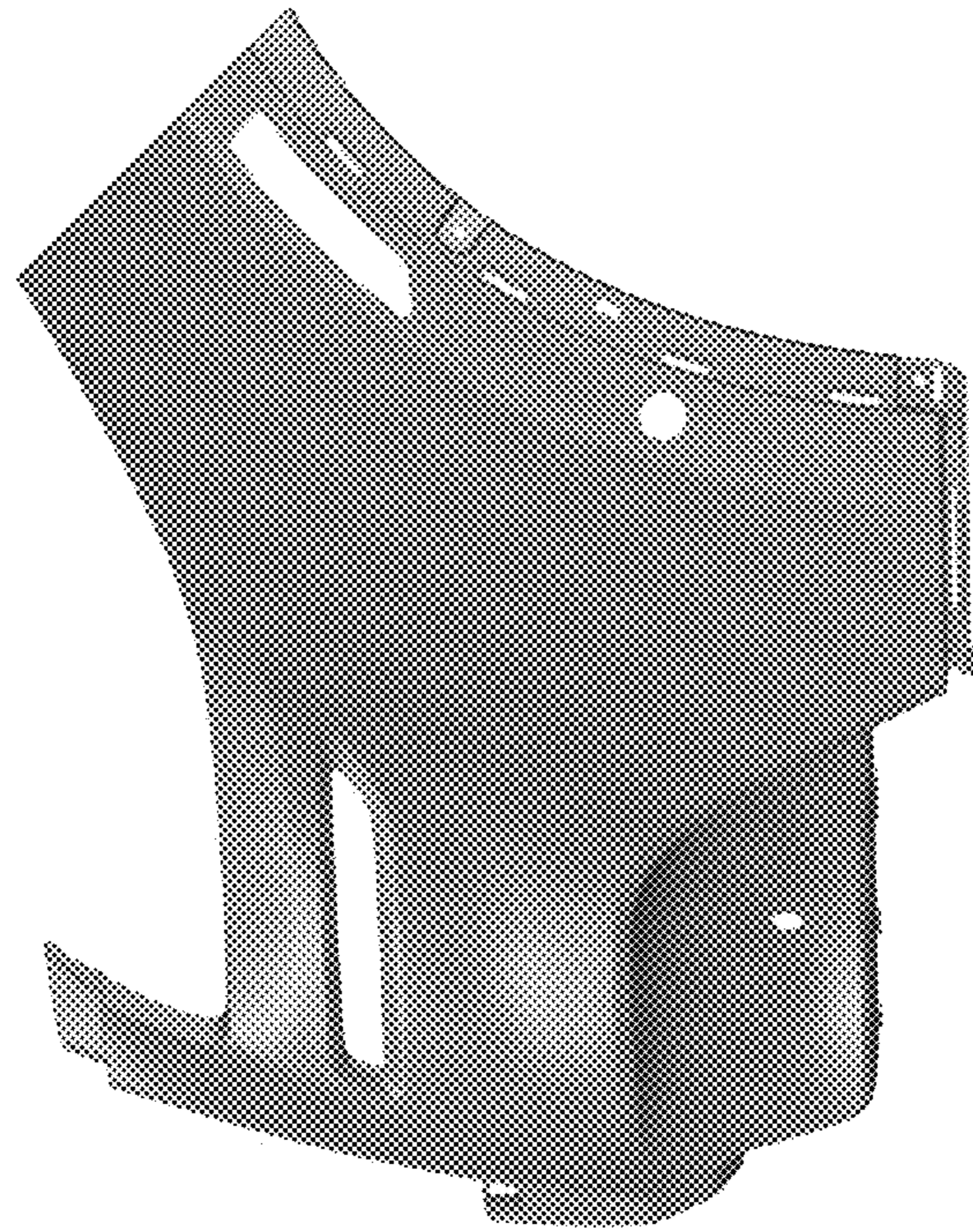


Fig. 2

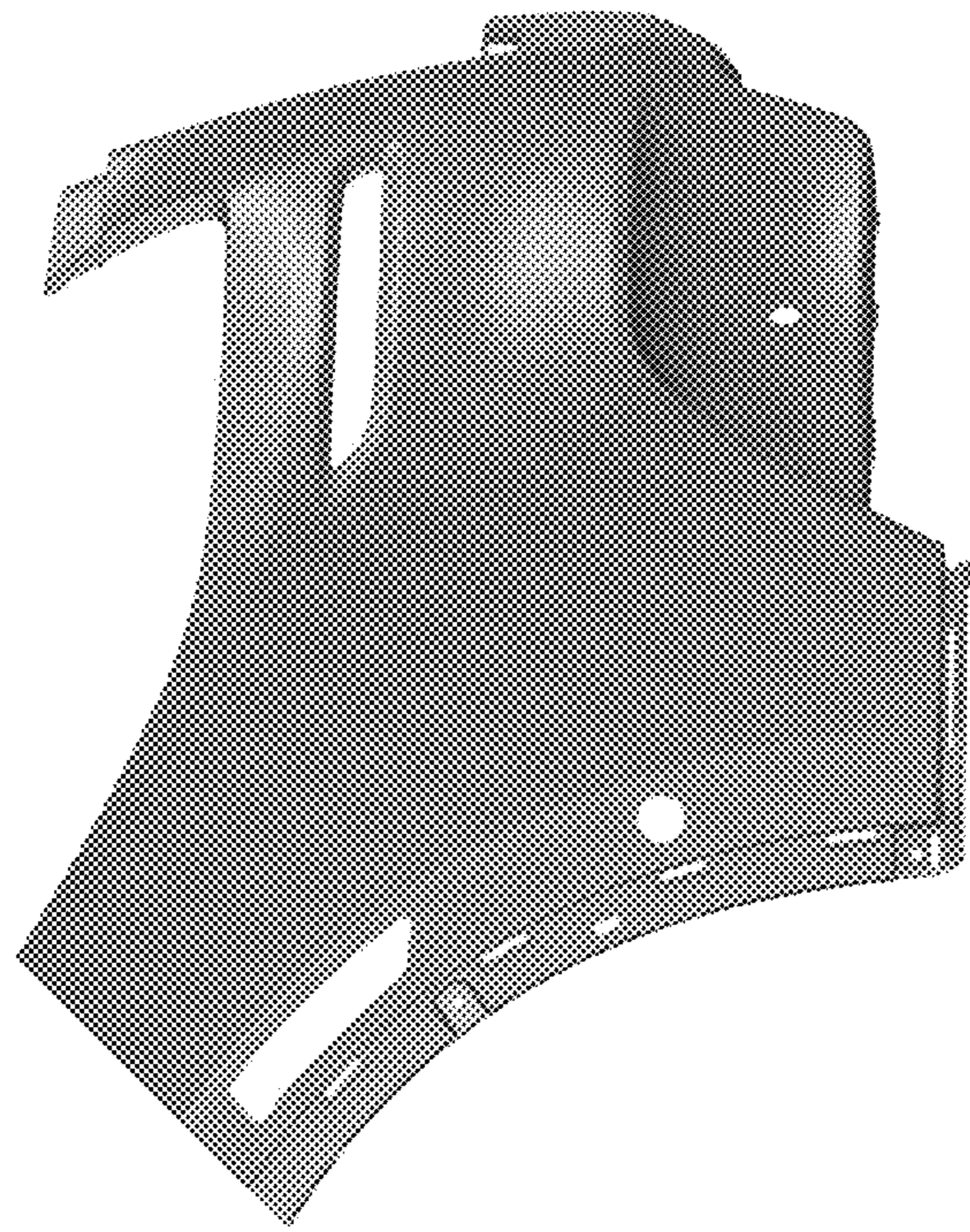


Fig. 3

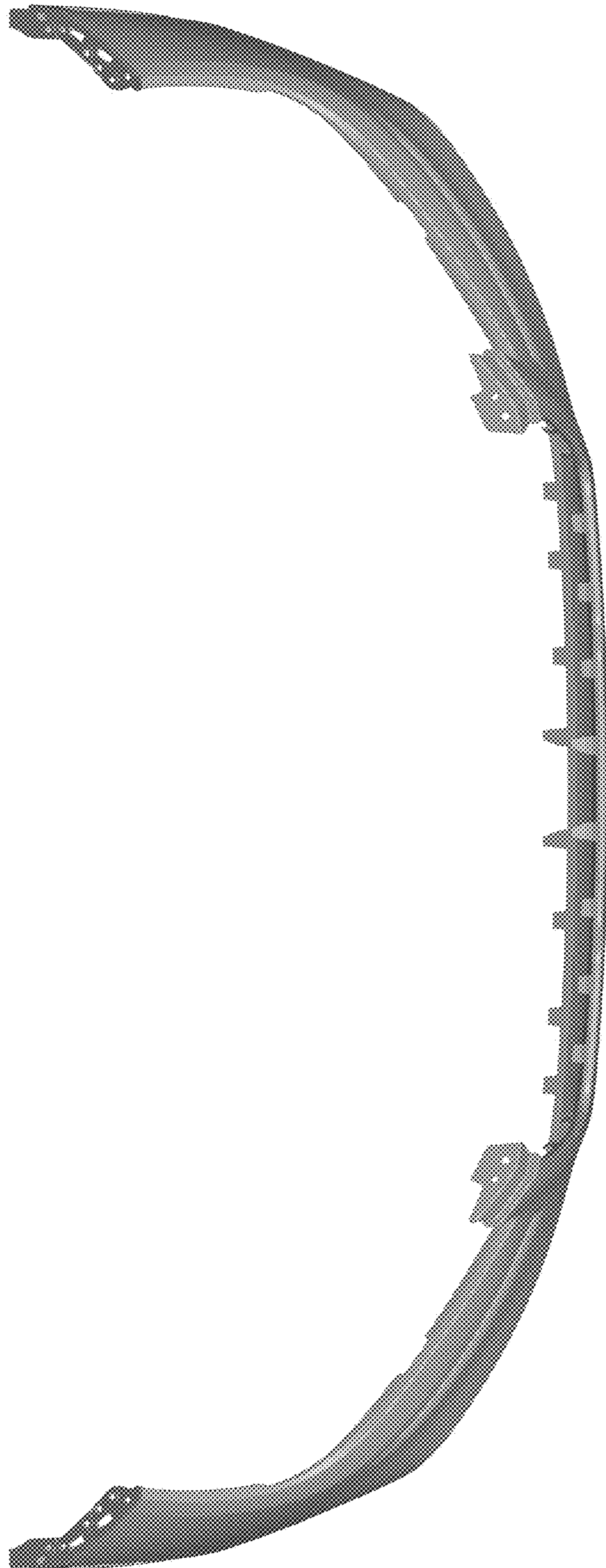
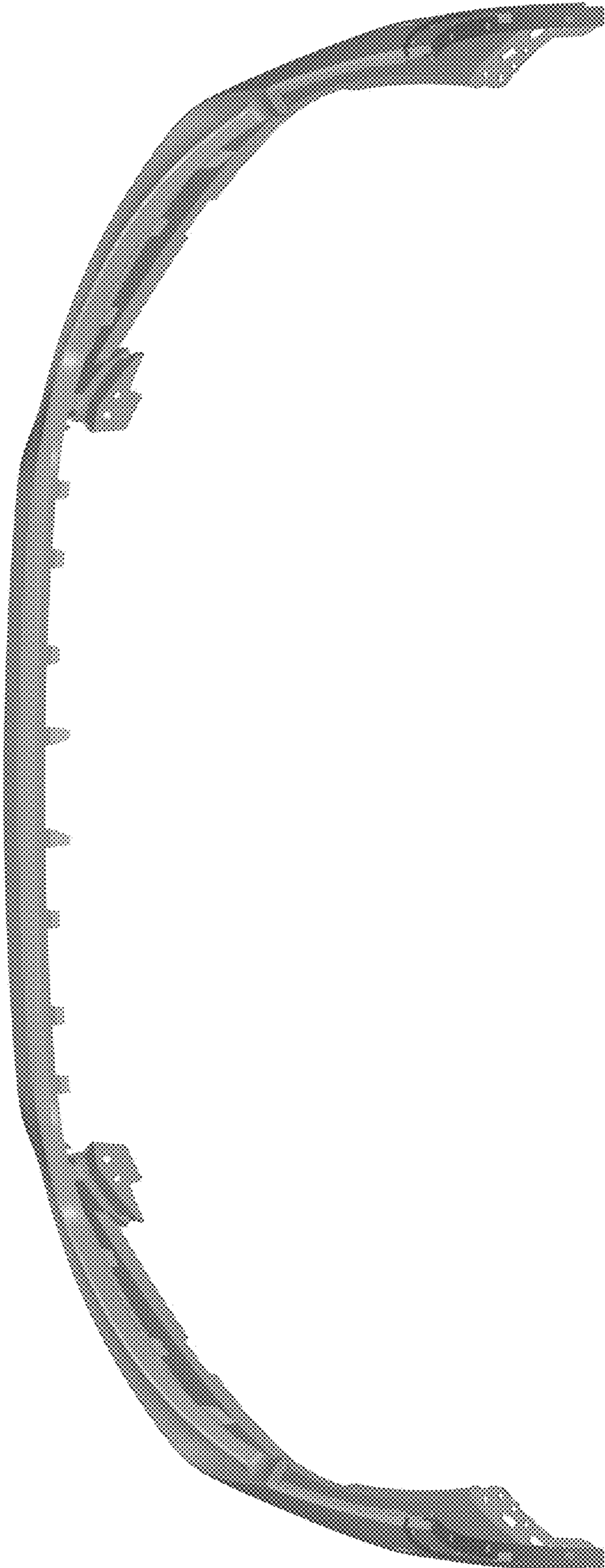


Fig.4

Fig. 5



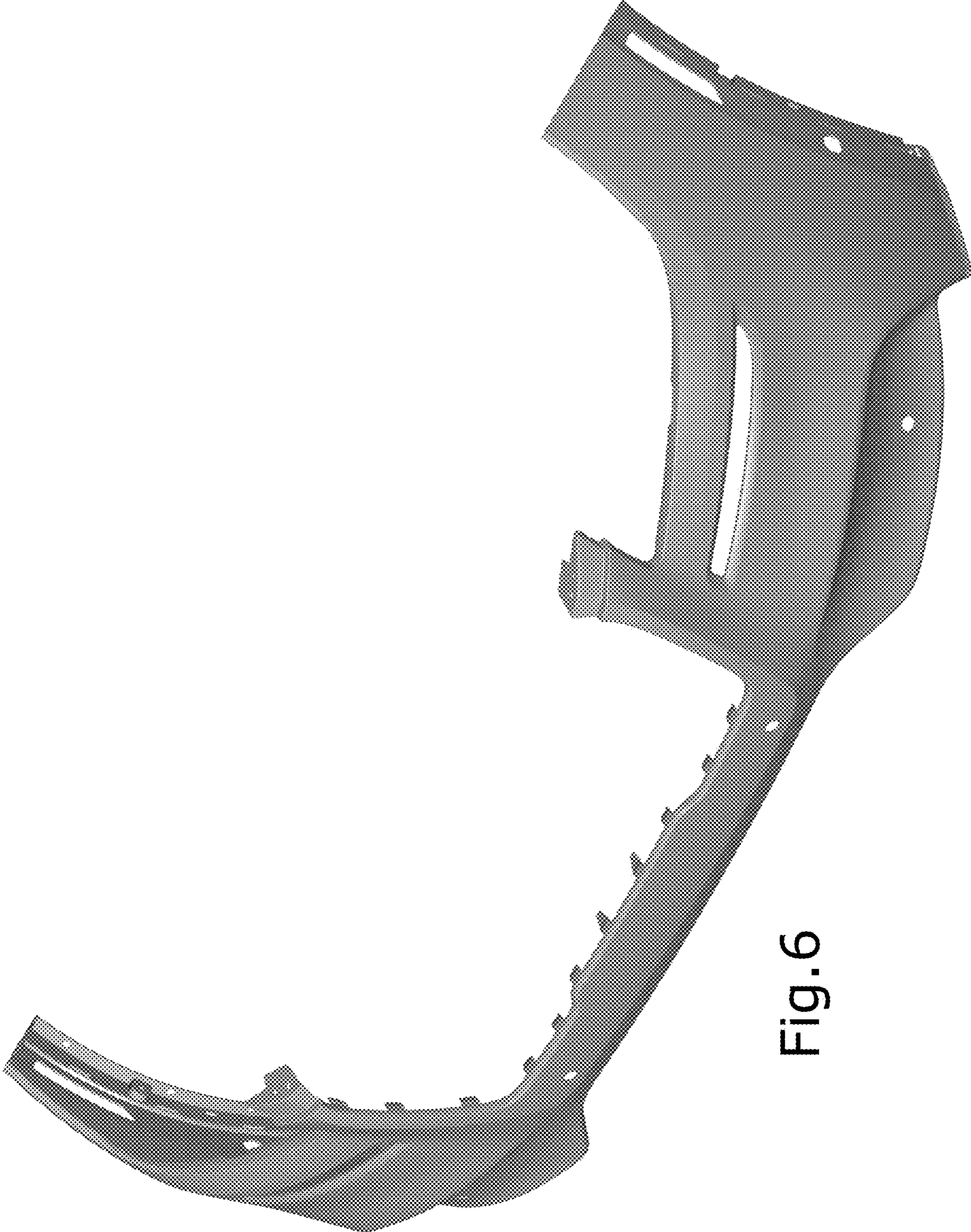


Fig.6

