



US00D891320S

(12) **United States Design Patent**  
**Metros et al.**

(10) **Patent No.:** **US D891,320 S**  
(45) **Date of Patent:** **\*\* Jul. 28, 2020**

- (54) **VEHICLE REAR UPPER BUMPER COVER**
- (71) Applicant: **Ford Global Technologies, LLC,**  
Dearborn, MI (US)
- (72) Inventors: **Craig Metros,** Bloomfield, MI (US);  
**George Bucher,** Dearborn, MI (US);  
**James Grake,** Beverly Hills, MI (US);  
**Andrew Bazinski,** Amherstburg (CA)
- (73) Assignee: **Ford Global Technologies, LLC,**  
Dearborn, MI (US)
- (\*\*) Term: **15 Years**
- (21) Appl. No.: **29/685,403**
- (22) Filed: **Mar. 28, 2019**
- (51) **LOC (12) Cl.** ..... **12-16**
- (52) **U.S. Cl.**  
USPC ..... **D12/169**
- (58) **Field of Classification Search**  
USPC .... D12/169, 164, 196, 171, 163, 86, 90-92;  
293/102, 113, 115, 117, 120; 296/180.1,  
296/180.2  
CPC ..... B60R 19/02; B60R 19/04; B62D 25/08  
See application file for complete search history.

D621,752 S *	8/2010	Angelo .....	D12/169
D644,577 S	9/2011	Messale	
D812,530 S *	3/2018	Bucher .....	D12/169
D815,997 S *	4/2018	Ishii .....	D12/169
D818,401 S *	5/2018	Bridan .....	D12/169
D819,519 S *	6/2018	Whitla .....	D12/169
D833,342 S *	11/2018	Anderson .....	D12/169
D833,927 S *	11/2018	Anderson .....	D12/169
D838,635 S *	1/2019	Anderson .....	D12/169
D845,186 S *	4/2019	Koo .....	D12/169
D848,911 S *	5/2019	De Leon .....	D12/169

\* cited by examiner

*Primary Examiner* — Melody N Brown

(74) *Attorney, Agent, or Firm* — Vichit Chea

(57) **CLAIM**

The ornamental design for a vehicle rear upper bumper cover, as shown and described.

**DESCRIPTION**

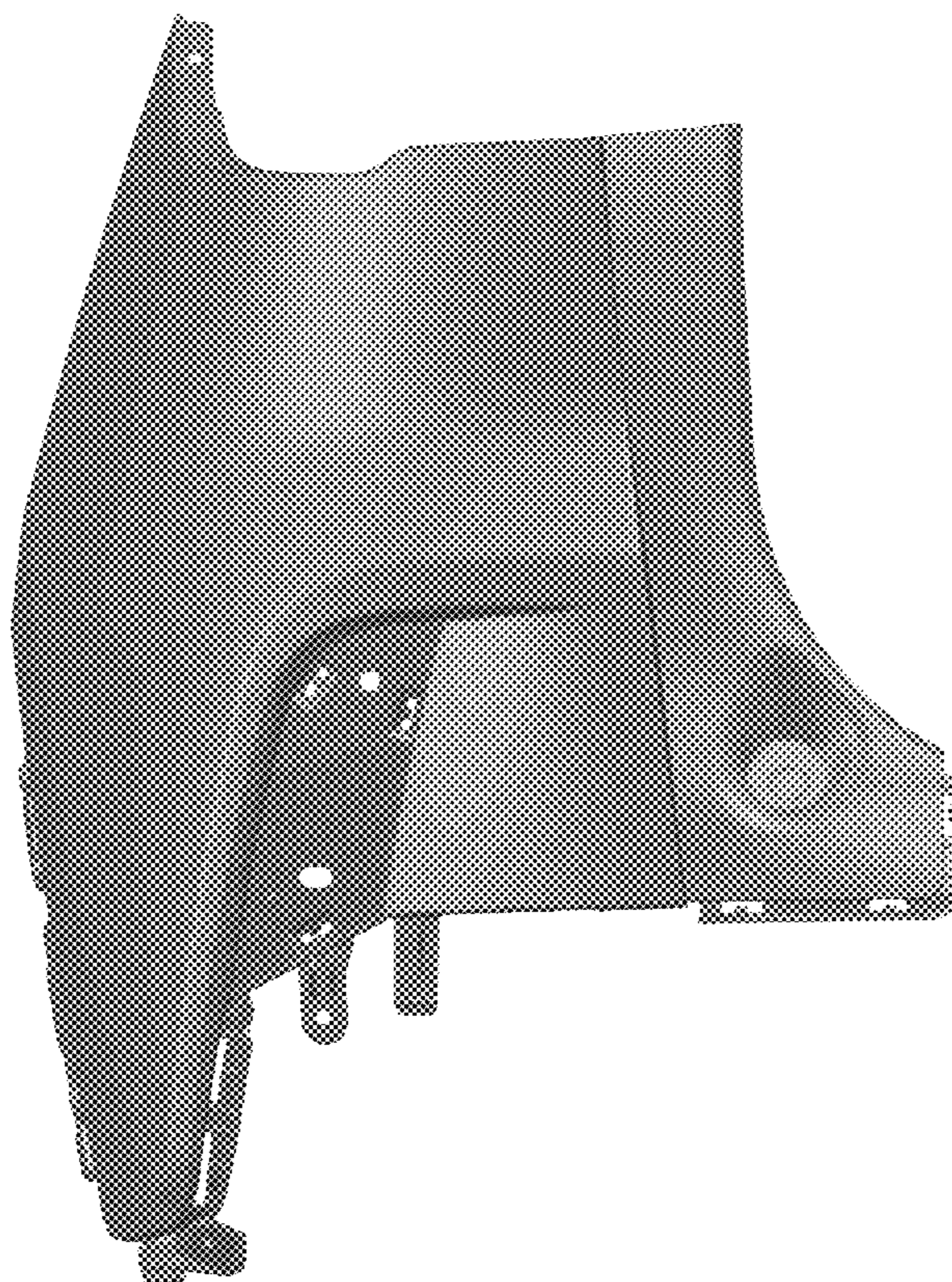
FIG. 1 is a front elevational view of a vehicle rear upper bumper cover, showing our new design;  
 FIG. 2 is a left side elevational view thereof;  
 FIG. 3 is a right side elevational view thereof;  
 FIG. 4 is a top plan view thereof;  
 FIG. 5 is a bottom plan view thereof;  
 FIG. 6 is a top, front, and left side perspective view thereof;  
 and,  
 FIG. 7 is a bottom, front, and left side perspective view thereof.

**1 Claim, 7 Drawing Sheets**

(56) **References Cited**

**U.S. PATENT DOCUMENTS**

- D564,423 S \* 3/2008 Spearman-Oxx ..... D12/169
- D580,317 S 11/2008 Gueler et al.



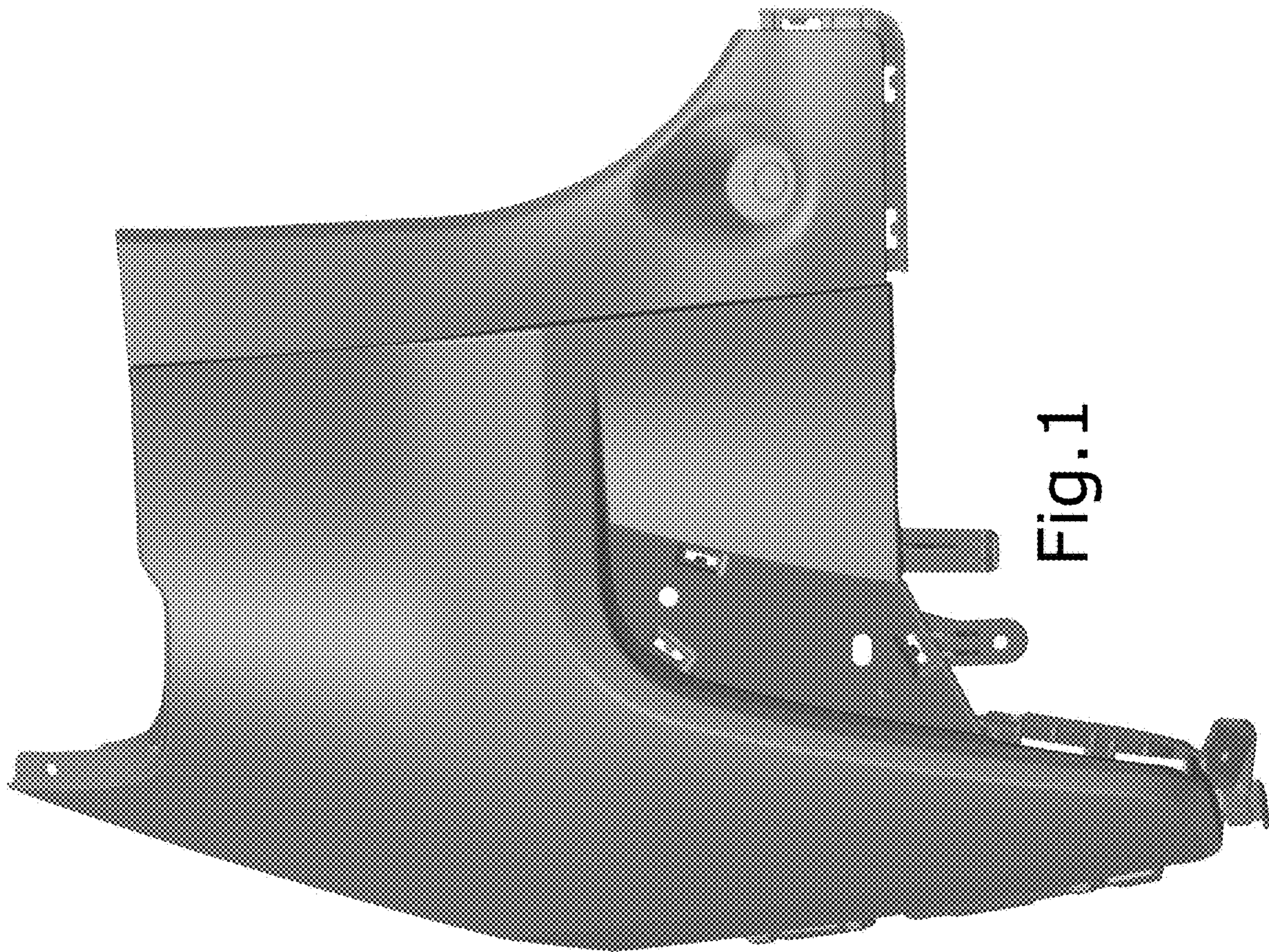


Fig. 1

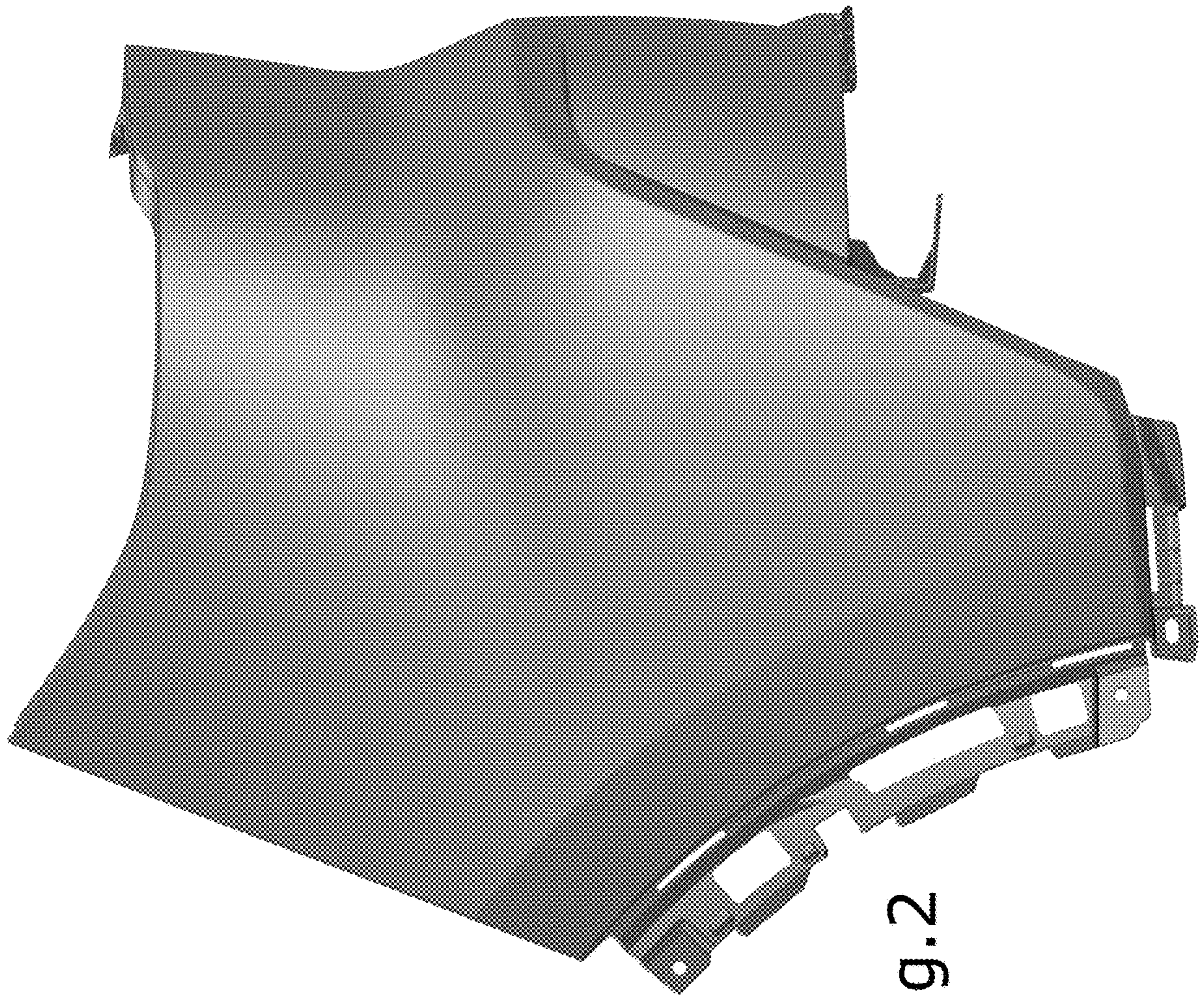


Fig. 2

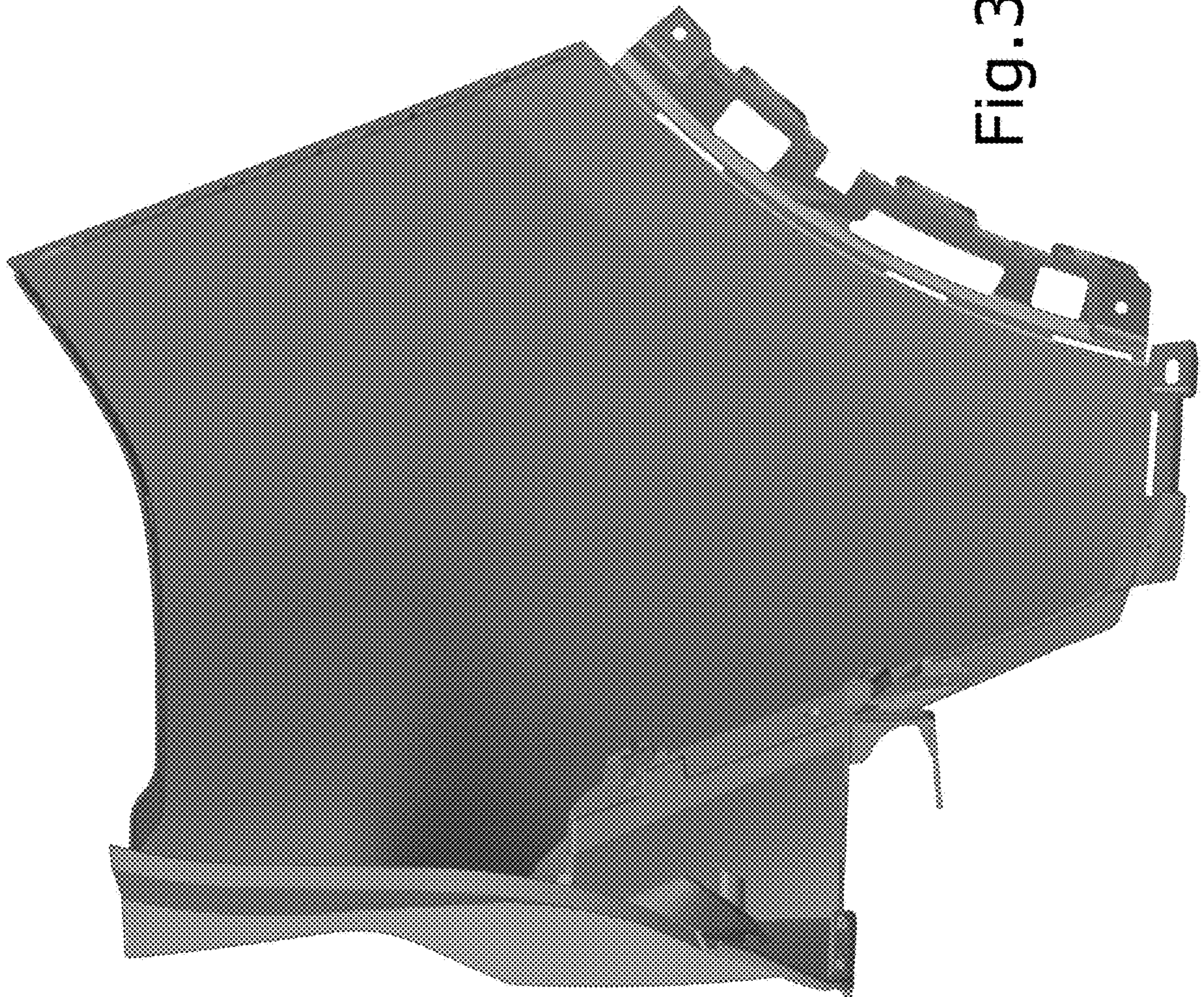


Fig. 3

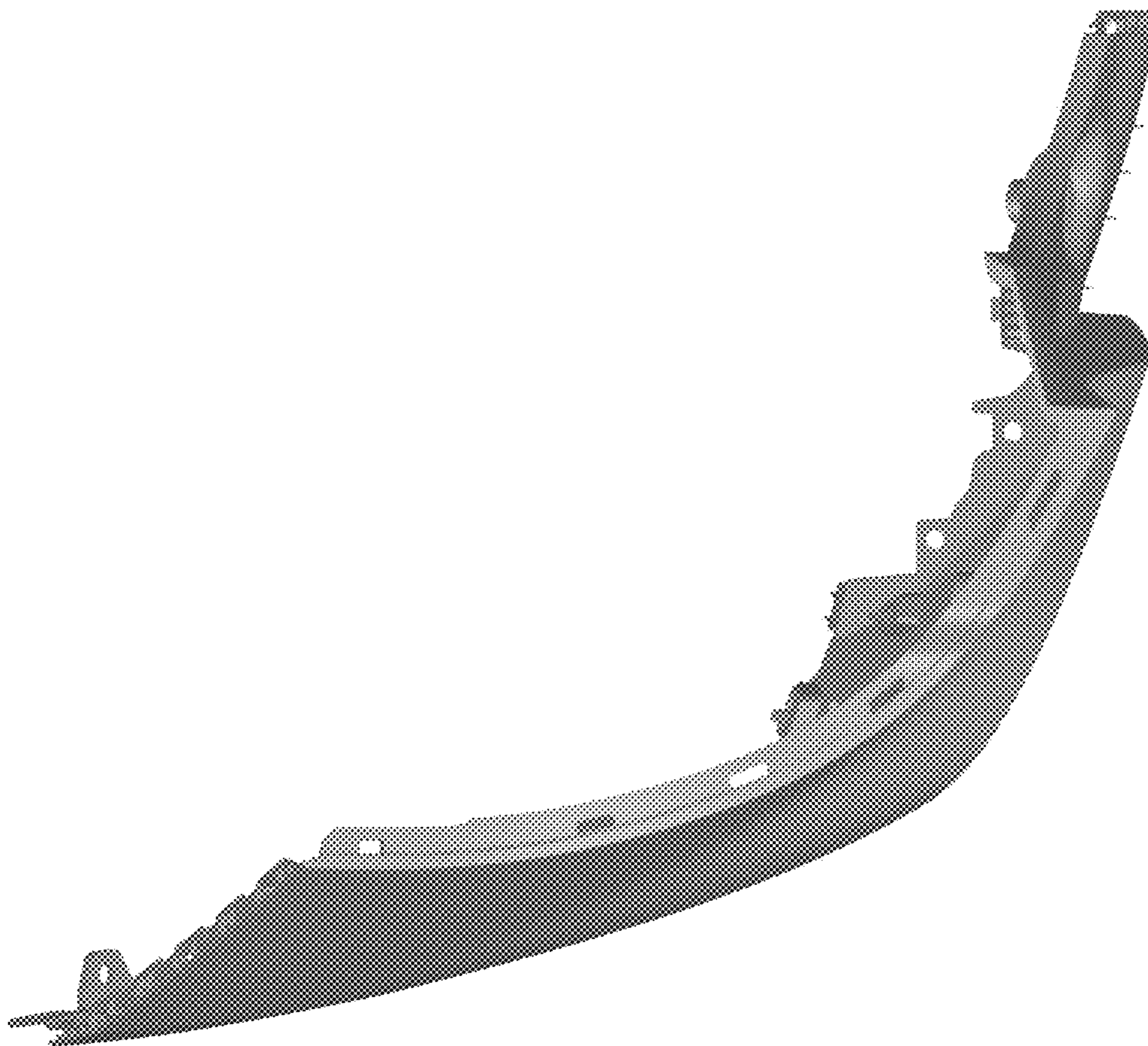


Fig. 4

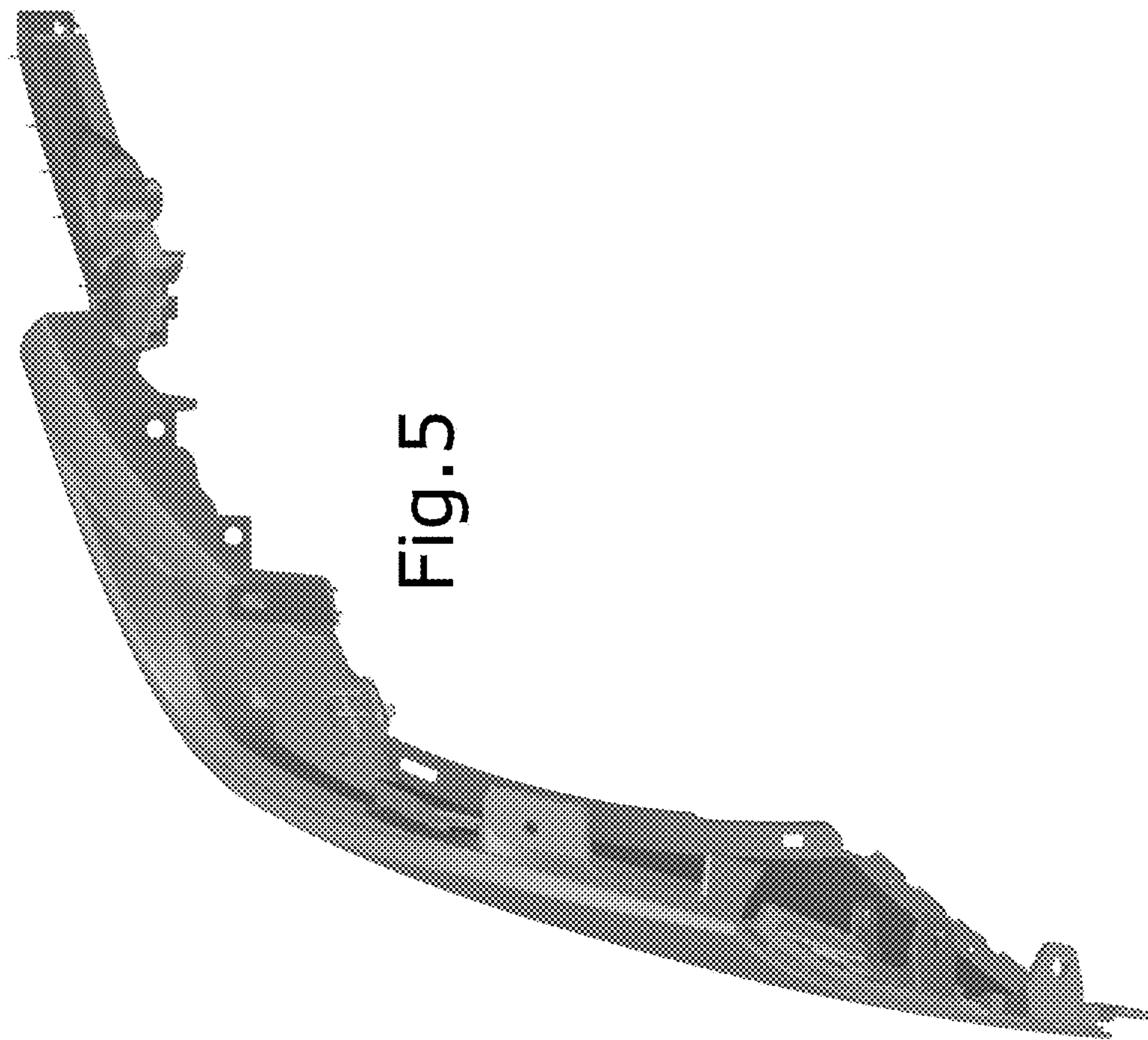


Fig. 5

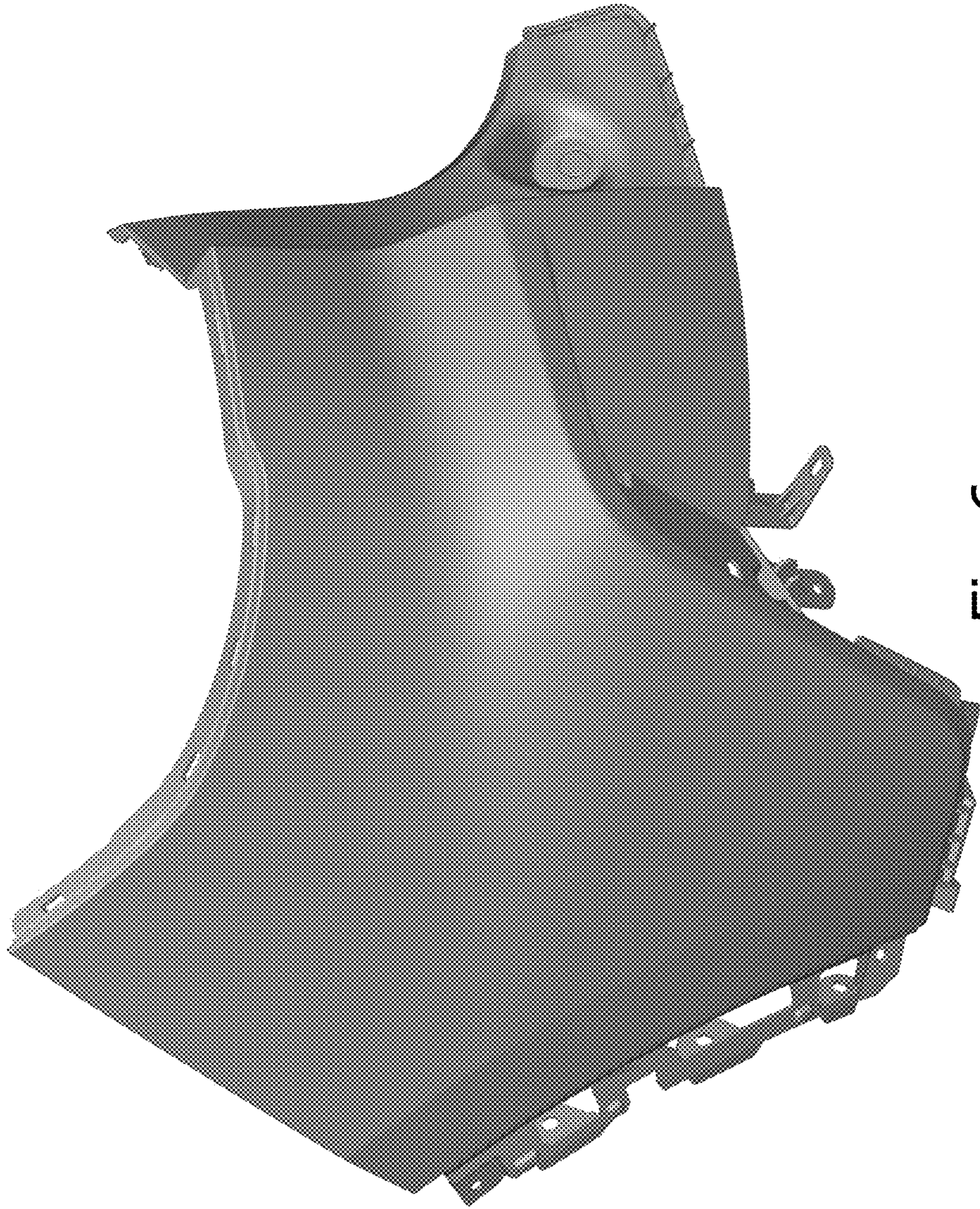


Fig.6

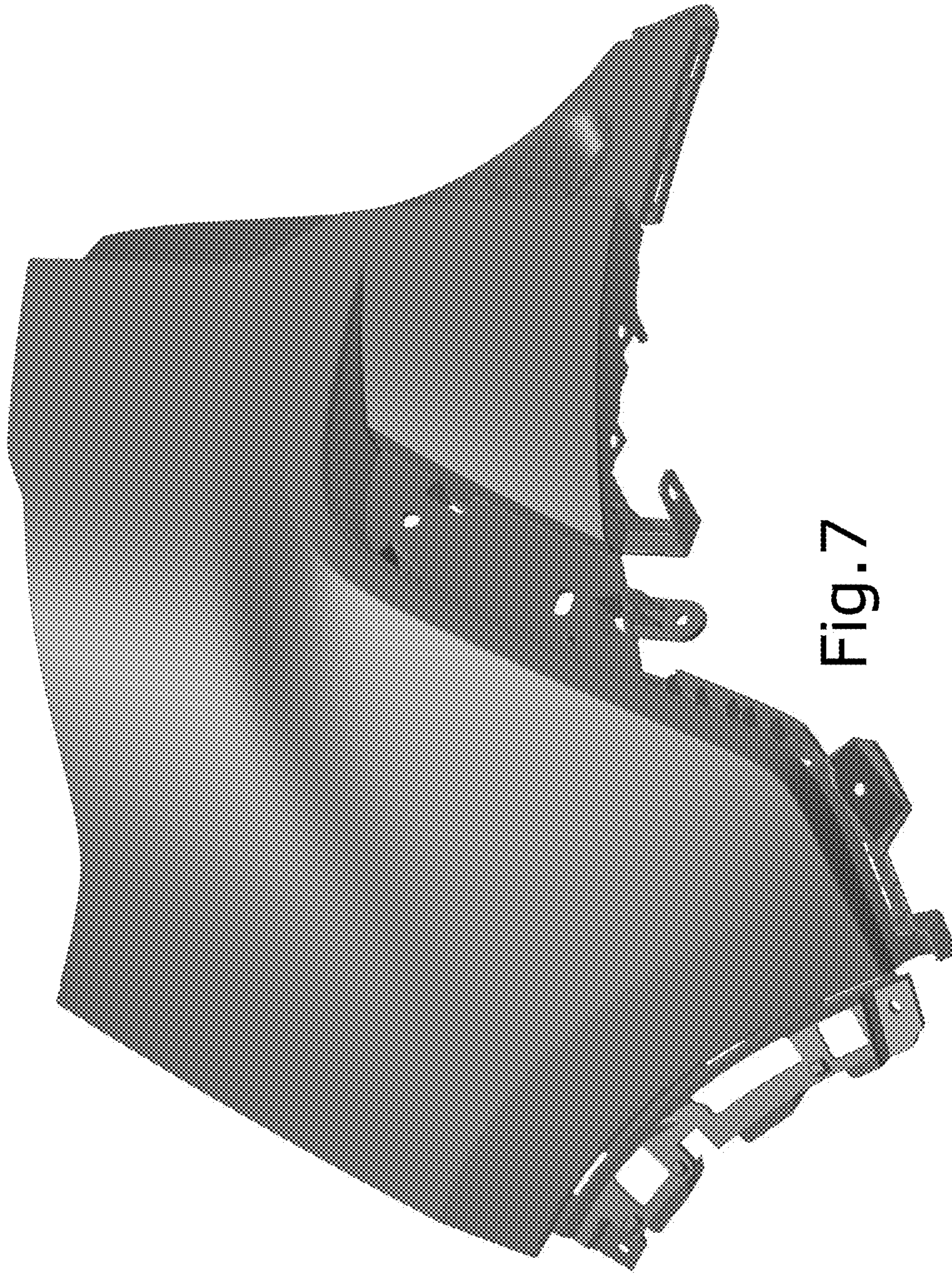


Fig. 7