



US00D891319S

(12) **United States Design Patent** (10) **Patent No.:** **US D891,319 S**
Ninov et al. (45) **Date of Patent:** **** Jul. 28, 2020**

(54) **STEP PAD WITH HITCH HOLE**

(56) **References Cited**

(71) Applicants: **Deyan Ninov**, Royal Oak, MI (US);
Everard J Scott, Sterling Heights, MI
(US); **Michael Gillam**, Oxford, MI
(US); **Gregory A. Howell**, Farmington,
MI (US)

U.S. PATENT DOCUMENTS

D477,258 S *	7/2003	Hayashi	D12/169
D491,496 S *	6/2004	Metros	D12/169
D497,851 S *	11/2004	Metros	D12/169
D501,809 S *	2/2005	Metros	D12/169
D512,351 S *	12/2005	Hattori	D12/169
D531,556 S *	11/2006	Metros	D12/169
D536,646 S *	2/2007	Shimoguchi	D12/169
D579,828 S *	11/2008	Bucher	D12/163
D613,215 S *	4/2010	Elliott	D12/169
D623,569 S *	9/2010	Cogswell	D12/169
D713,306 S *	9/2014	Sperling	D12/169
D721,304 S *	1/2015	Platto	D12/169
D739,798 S *	9/2015	O'Donnell	D12/169
D749,997 S *	2/2016	McMahan	D12/169
D755,688 S *	5/2016	Sato	D12/169

(72) Inventors: **Deyan Ninov**, Royal Oak, MI (US);
Everard J Scott, Sterling Heights, MI
(US); **Michael Gillam**, Oxford, MI
(US); **Gregory A. Howell**, Farmington,
MI (US)

(73) Assignee: **FCA US LLC**, Auburn Hills, MI (US)

(**) Term: **15 Years**

(Continued)

(21) Appl. No.: **29/673,414**

Primary Examiner — Michelle E. Wilson

(22) Filed: **Dec. 14, 2018**

Assistant Examiner — Clese Moore, Jr.

(74) *Attorney, Agent, or Firm* — Ralph E. Smith

Related U.S. Application Data

(63) Continuation-in-part of application No. 29/626,553,
filed on Nov. 17, 2017, now Pat. No. Des. 837,099,
and a continuation-in-part of application No.
29/626,566, filed on Nov. 17, 2017, now Pat. No. Des.
836,036, and a continuation-in-part of application No.
29/626,563, filed on Nov. 17, 2017, now Pat. No. Des.
836,035, and a continuation-in-part of application No.
29/626,557, filed on Nov. 17, 2017, now Pat. No. Des.
836,034.

(57) **CLAIM**

The ornamental design for a step pad with hitch hole, as
shown and described.

(51) **LOC (12) Cl.** **12-16**

(52) **U.S. Cl.**
USPC **D12/169**

DESCRIPTION

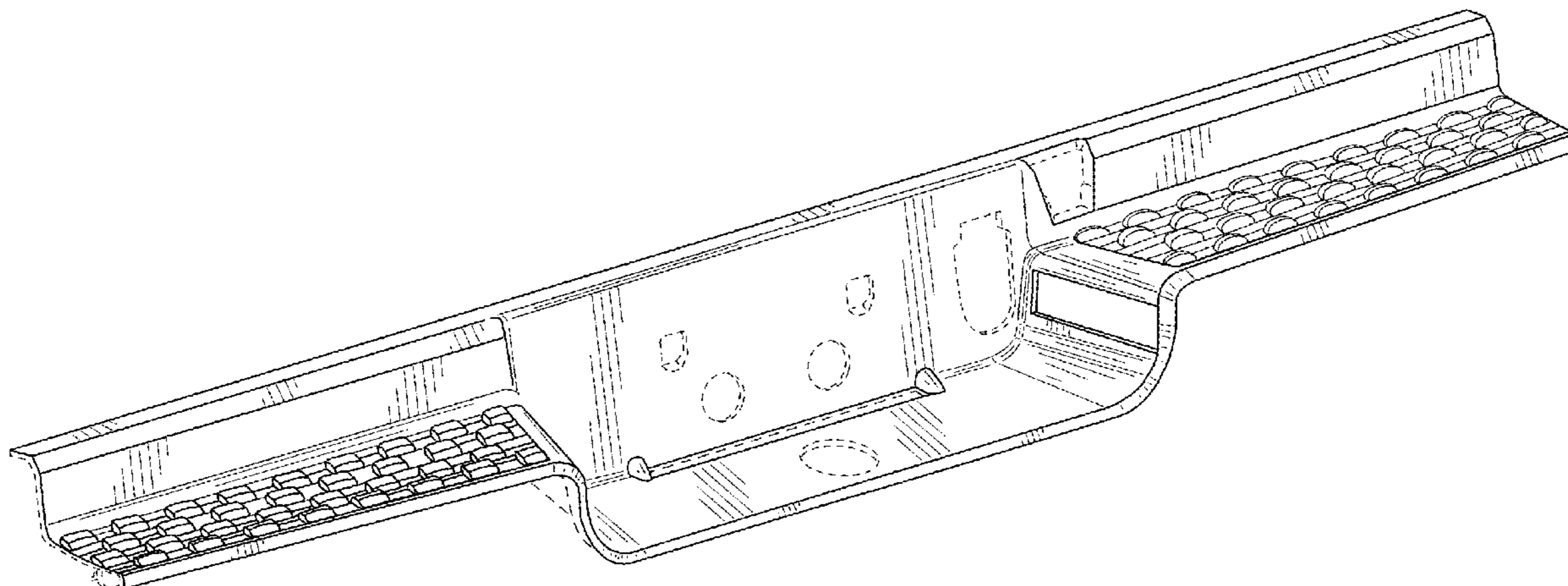
(58) **Field of Classification Search**
USPC D12/169, 86, 90-92, 98, 203, 162, 163,
D12/164, 171, 196, 216
CPC B60R 19/06; B60R 19/02; B60R 19/24;
B60R 19/48; B60R 19/52; B60R 3/00;
B60R 3/02

FIG. 1 is a front perspective view of a step pad with hitch
hole showing our new design;
FIG. 2 is a front view thereof;
FIG. 3 is a rear view thereof;
FIG. 4 is a top view thereof;
FIG. 5 is a bottom view thereof; and,
FIG. 6 is a side view thereof.

It will be understood that the broken lines shown in the
drawings illustrate portions of the step pad with hitch hole
that form no part of the claimed design.

See application file for complete search history.

1 Claim, 4 Drawing Sheets



(56)

References Cited

U.S. PATENT DOCUMENTS

D767,454 S *	9/2016	McMahan	D12/169
D789,848 S *	6/2017	Platto	D12/169
D803,125 S *	11/2017	Platto	D12/203
D811,965 S *	3/2018	Moffett	D12/169

* cited by examiner

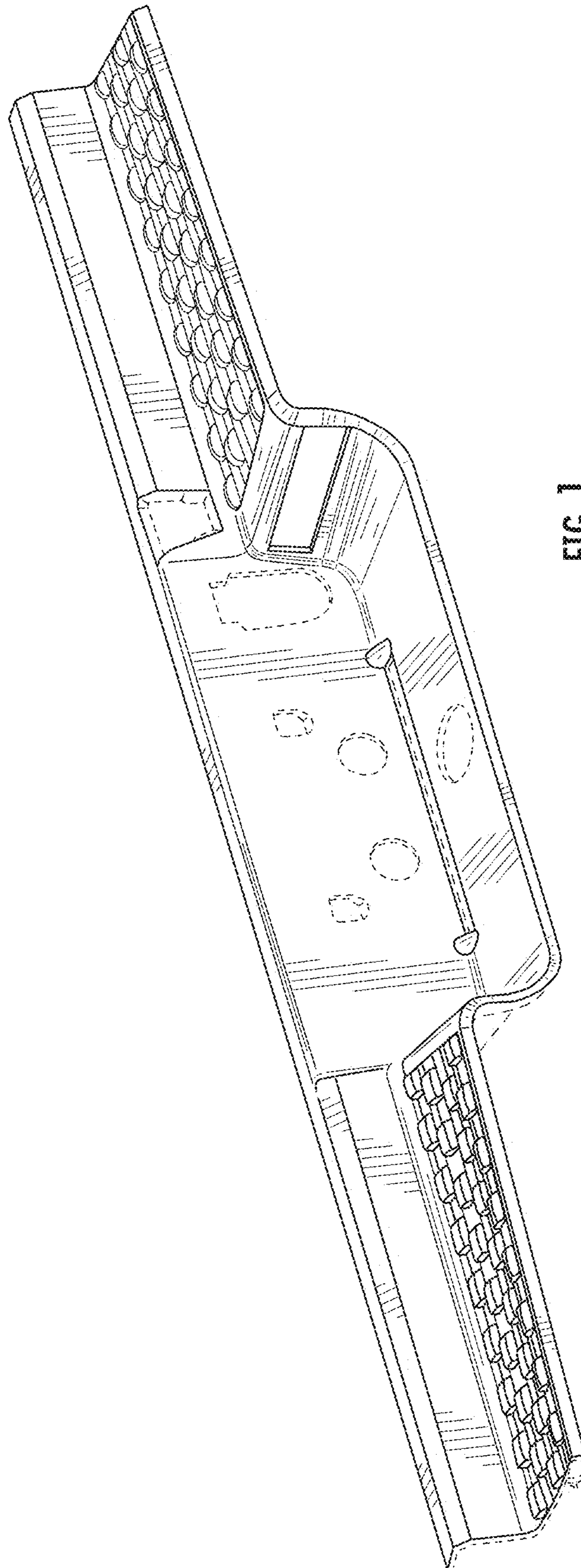


FIG. 1

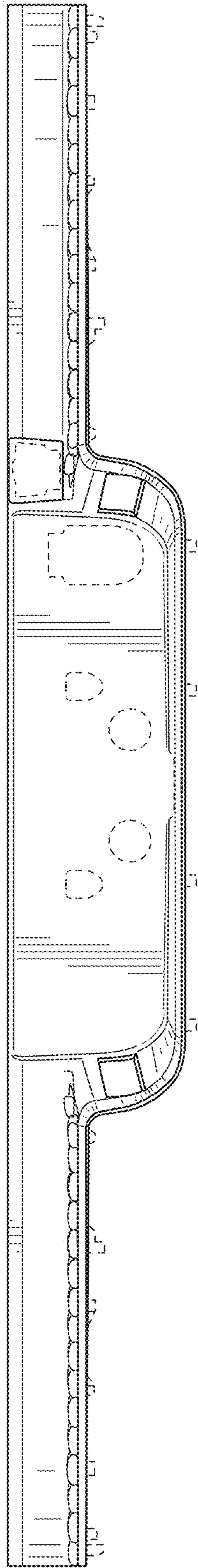


FIG. 2

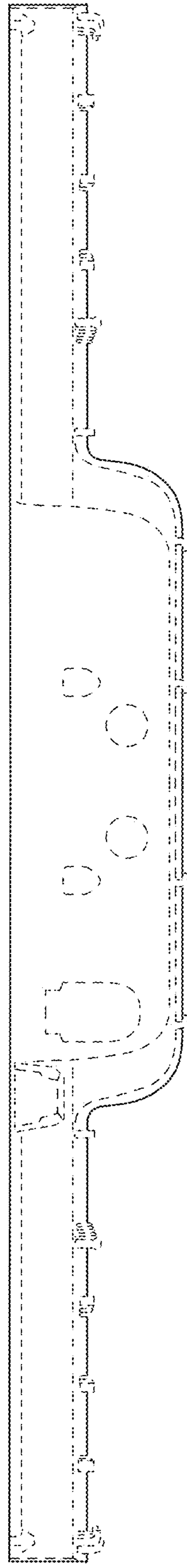


FIG. 3

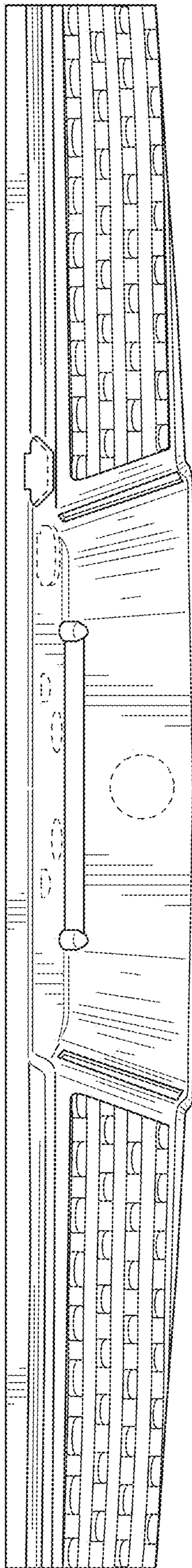


FIG. 4

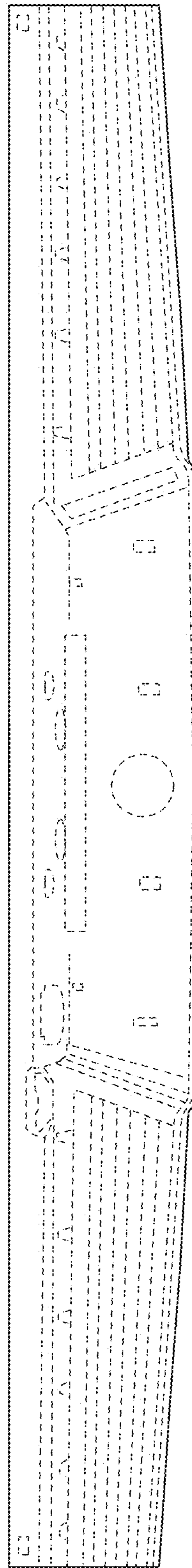


FIG. 5

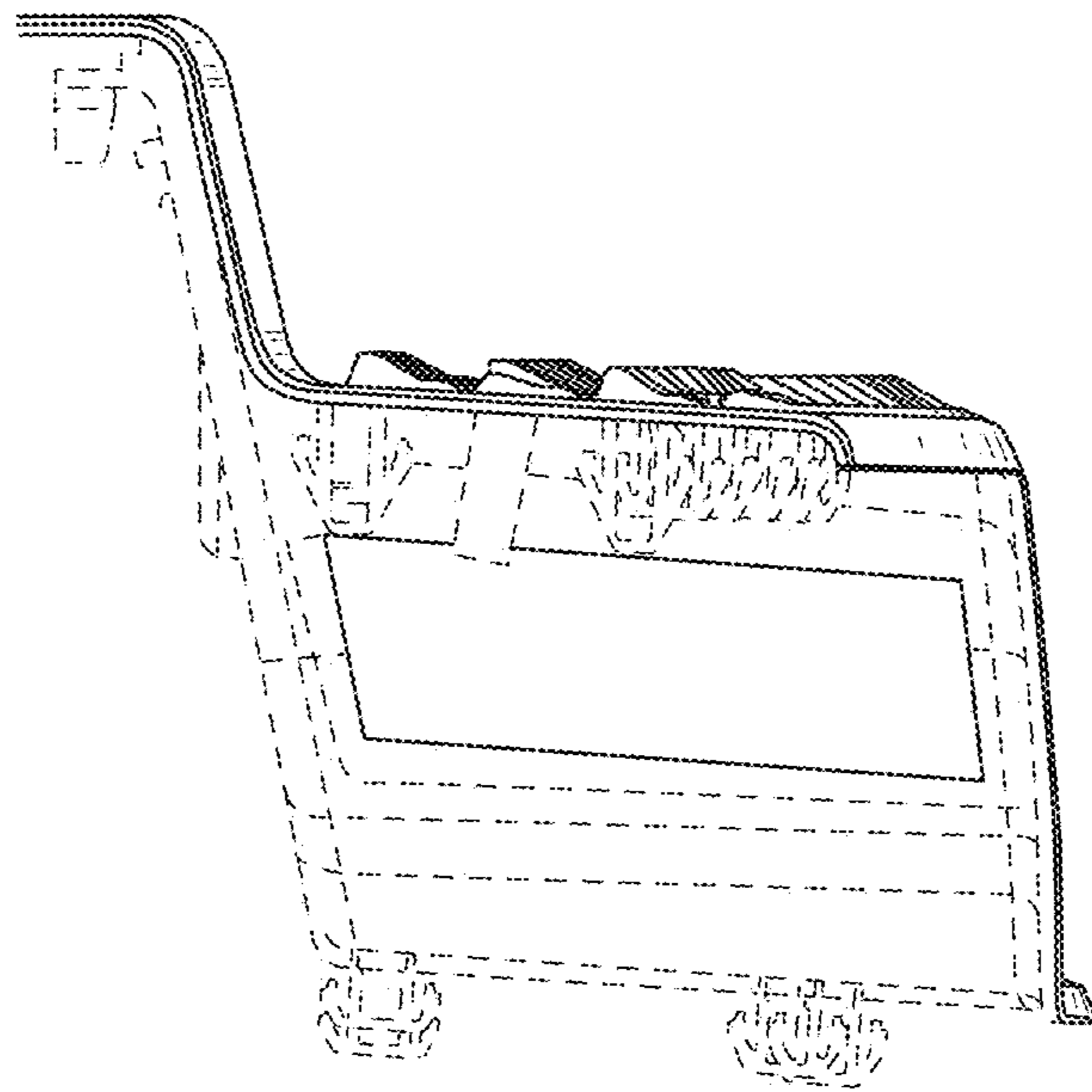


FIG. 6