



US00D891318S

(12) **United States Design Patent**
Platt, Jr. et al.

(10) **Patent No.:** **US D891,318 S**
(45) **Date of Patent:** **** Jul. 28, 2020**

- (54) **COOLANT RADIATOR CORE**
- (71) Applicant: **Specialty Auto Parts U.S.A., Inc.**,
Warren, MI (US)
- (72) Inventors: **Richard Booth Platt, Jr.**, Huntington
Woods, MI (US); **Richard Booth Platt**,
Grosse Pointe Farms, MI (US); **Rick**
Anthony Hobbs, Sterling Heights, MI
(US)
- (73) Assignee: **Specialty Auto Parts U.S.A., Inc.**,
Warren, MI (US)
- (**) Term: **15 Years**

6,189,603	B1 *	2/2001	Sugimoto	F28D 1/0435	165/135
6,283,200	B1 *	9/2001	Sugimoto	F28D 1/05366	165/173
6,904,958	B2 *	6/2005	Ozaki	F28F 9/002	165/173
7,500,514	B2 *	3/2009	Heine	F01P 11/08	165/140
D619,511	S *	7/2010	Sullivan	D12/166	
D717,218	S *	11/2014	Tafe	D12/166	
D717,702	S *	11/2014	McCardle	D12/166	
D743,517	S	11/2015	Platt et al.			
9,212,598	B2	12/2015	Platt et al.			
D746,732	S *	1/2016	Pruitt	D12/166	
D751,472	S *	3/2016	Pruitt	D12/166	
D802,492	S *	11/2017	Pruitt	D12/166	

(Continued)

- (21) Appl. No.: **29/667,693**
- (22) Filed: **Oct. 24, 2018**
- (51) **LOC (12) Cl.** **12-16**
- (52) **U.S. Cl.**
USPC **D12/166; D15/5**
- (58) **Field of Classification Search**
USPC **D15/5; D12/164-166**
CPC ... **F28F 9/001; F28F 9/007; F28F 7/00; F28D**
1/05366; F28D 1/0435
See application file for complete search history.

Primary Examiner — Sheryl Lane
Assistant Examiner — Mark T Philipps
 (74) *Attorney, Agent, or Firm* — Endurance Law Group
 PLC

(57) **CLAIM**

We claim the ornamental design for a coolant radiator core, as shown and described.

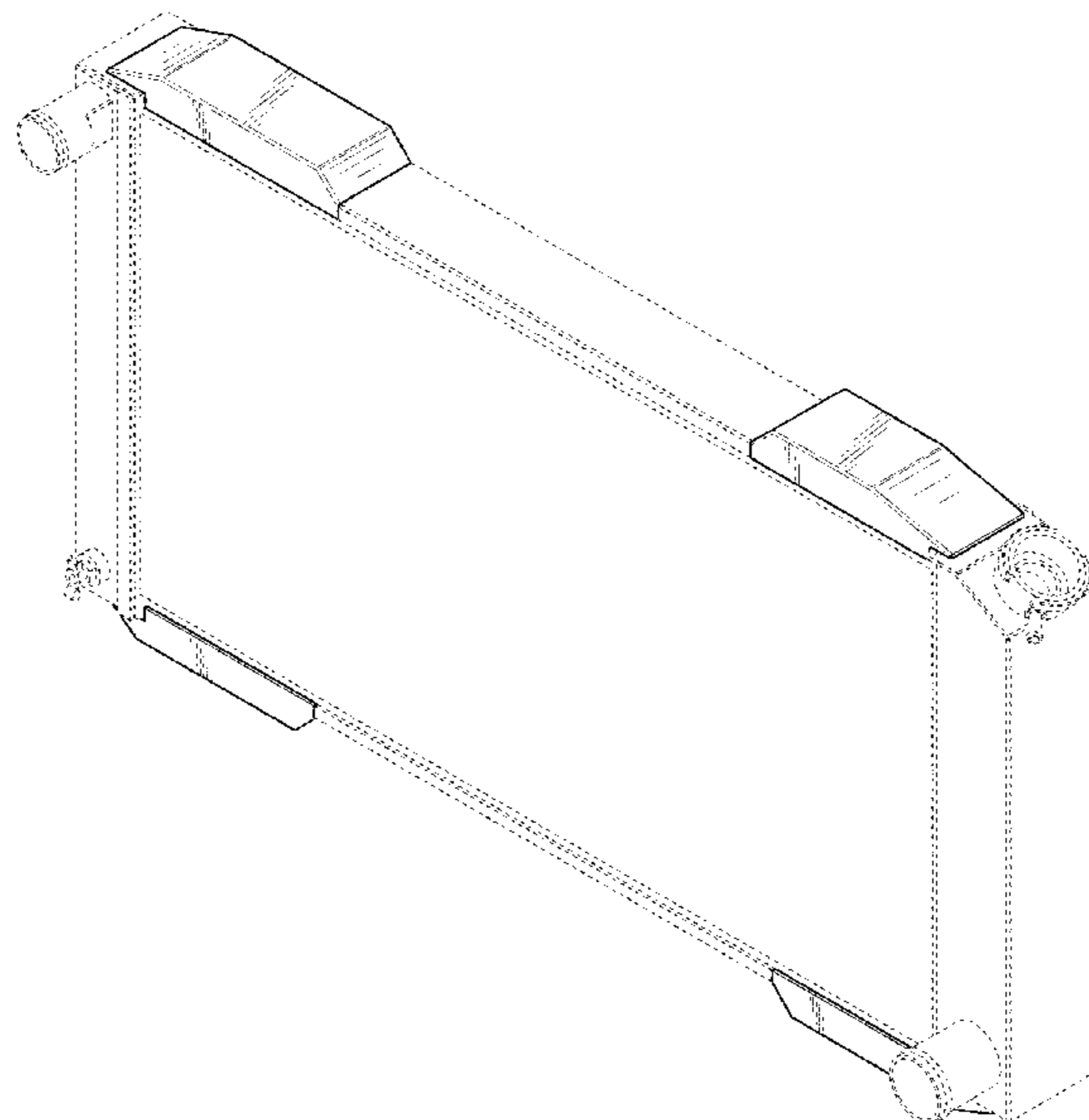
DESCRIPTION

FIG. 1 is front perspective view of a coolant radiator core according to the present invention;
 FIG. 2 is rear perspective view of the coolant radiator core;
 FIG. 3 is a front view of the coolant radiator core;
 FIG. 4 is a left side view of the coolant radiator core;
 FIG. 5 is a right side view of the coolant radiator core;
 FIG. 6 is a rear view of the coolant radiator core;
 FIG. 7 is a top view of the coolant radiator core; and,
 FIG. 8 is a bottom view of the coolant radiator core.
 The broken lines represent the exemplary end tanks, cooling fins/tubes, fill neck and hose fittings and form no part of the claimed design.

1 Claim, 6 Drawing Sheets

(56) **References Cited**
 U.S. PATENT DOCUMENTS

D263,461	S *	3/1982	Young	D12/166	
5,009,262	A *	4/1991	Halstead	B60H 1/3227	165/140
5,092,398	A *	3/1992	Nishishita	F28F 9/0224	165/153
5,183,103	A *	2/1993	Tokutake	F28F 9/002	165/67
5,186,244	A *	2/1993	Joshi	B60H 1/3227	165/135
6,158,500	A *	12/2000	Heine	B60K 11/04	165/140



(56)

References Cited

U.S. PATENT DOCUMENTS

D802,493 S * 11/2017 Pruitt D12/166
D802,494 S * 11/2017 Pruitt D12/166
D802,495 S * 11/2017 Pruitt D12/166
2002/0056541 A1* 5/2002 Kokubunji B60K 11/04
165/67
2005/0061488 A1* 3/2005 Yu F28D 1/0443
165/140
2006/0213640 A1* 9/2006 Matsuoka B62D 25/084
165/67
2011/0277958 A1* 11/2011 Richardson F28D 1/05383
165/76
2014/0360704 A1* 12/2014 Kim F28F 9/0234
165/140
2019/0063305 A1* 2/2019 Kennedy F28F 9/001

* cited by examiner

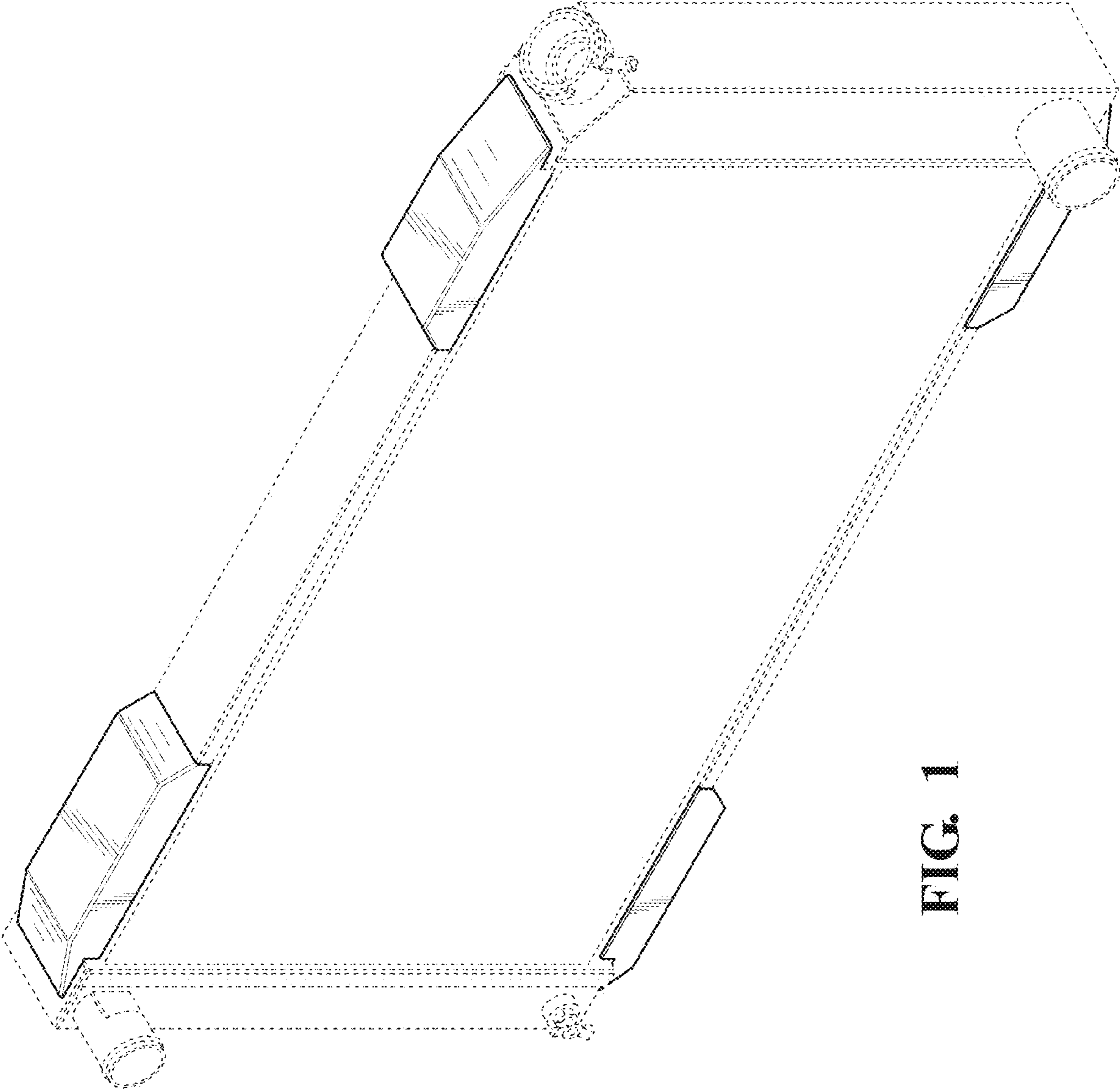


FIG. 1

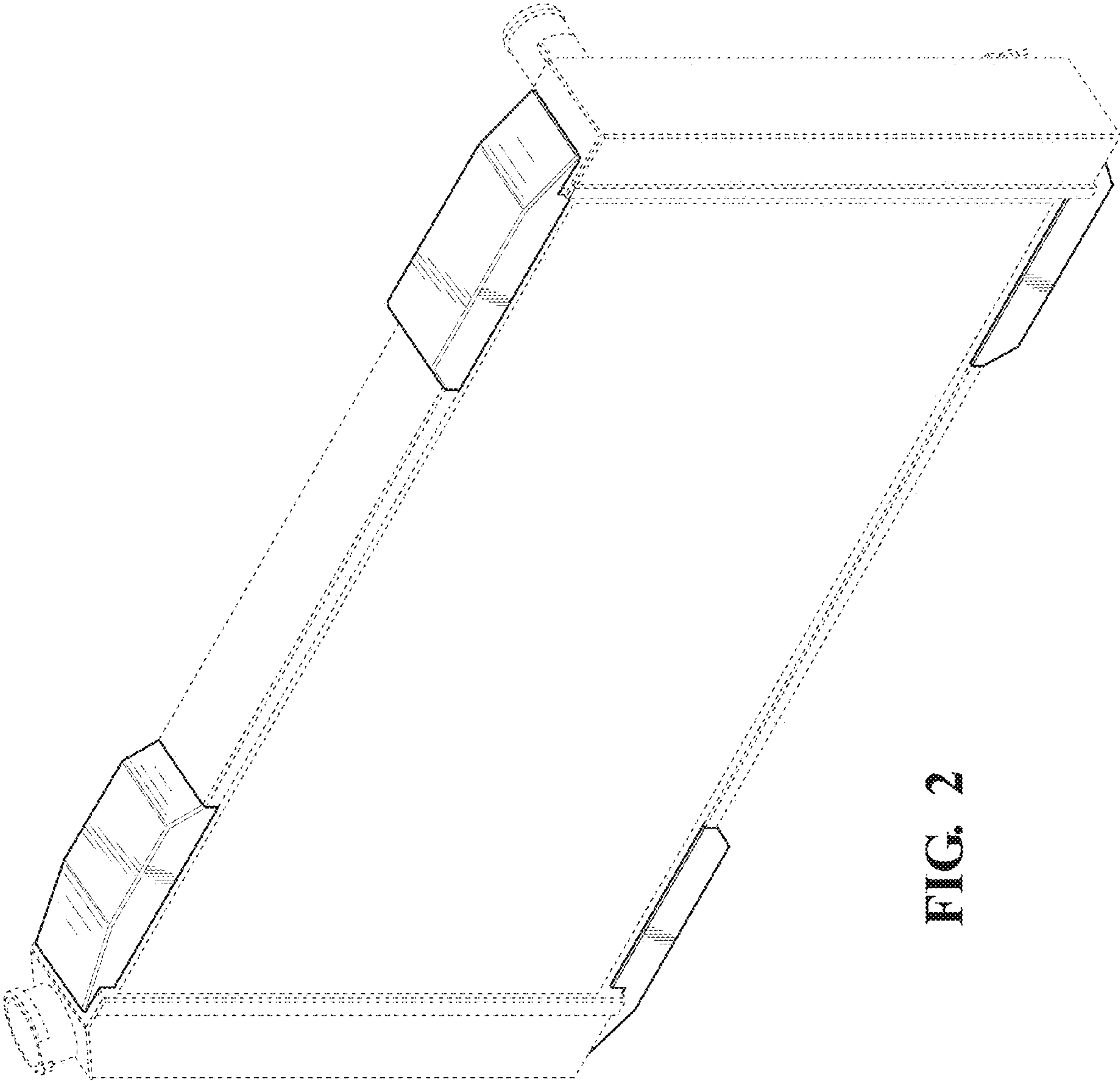


FIG. 2

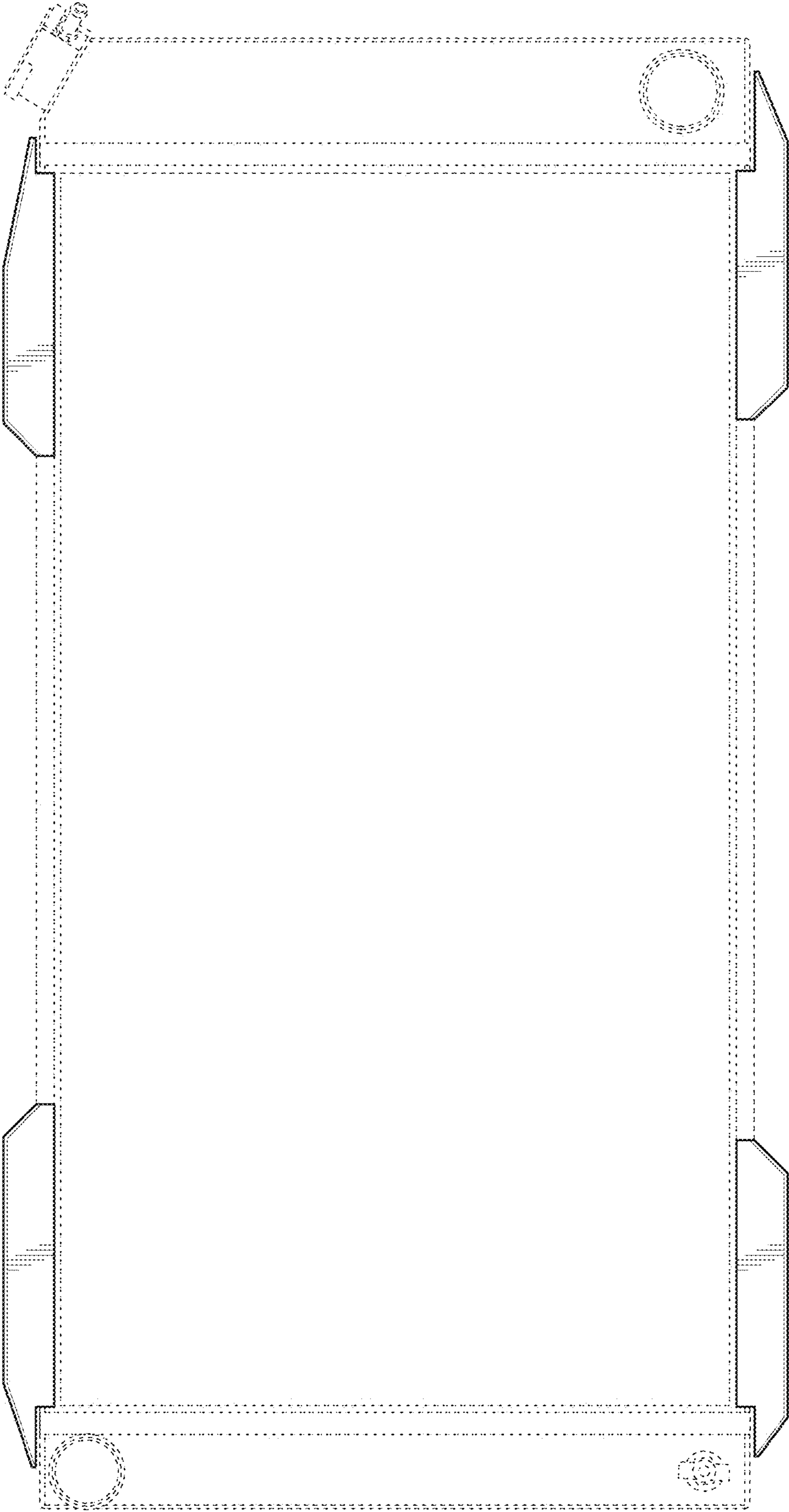


FIG. 3

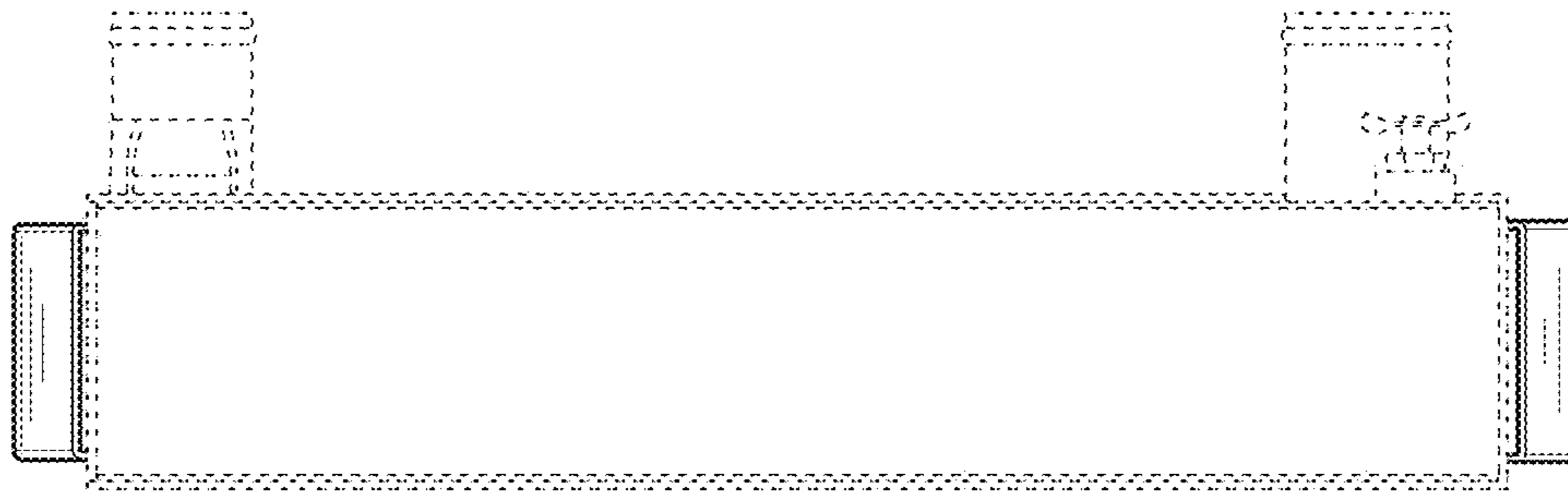


FIG. 5

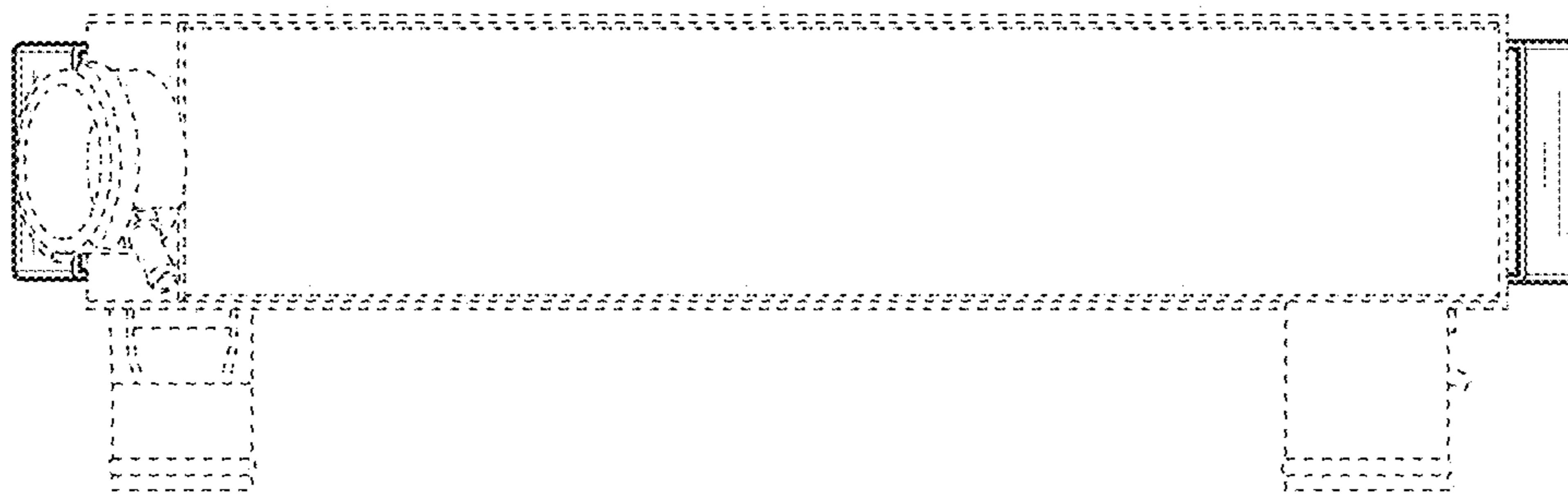


FIG. 4

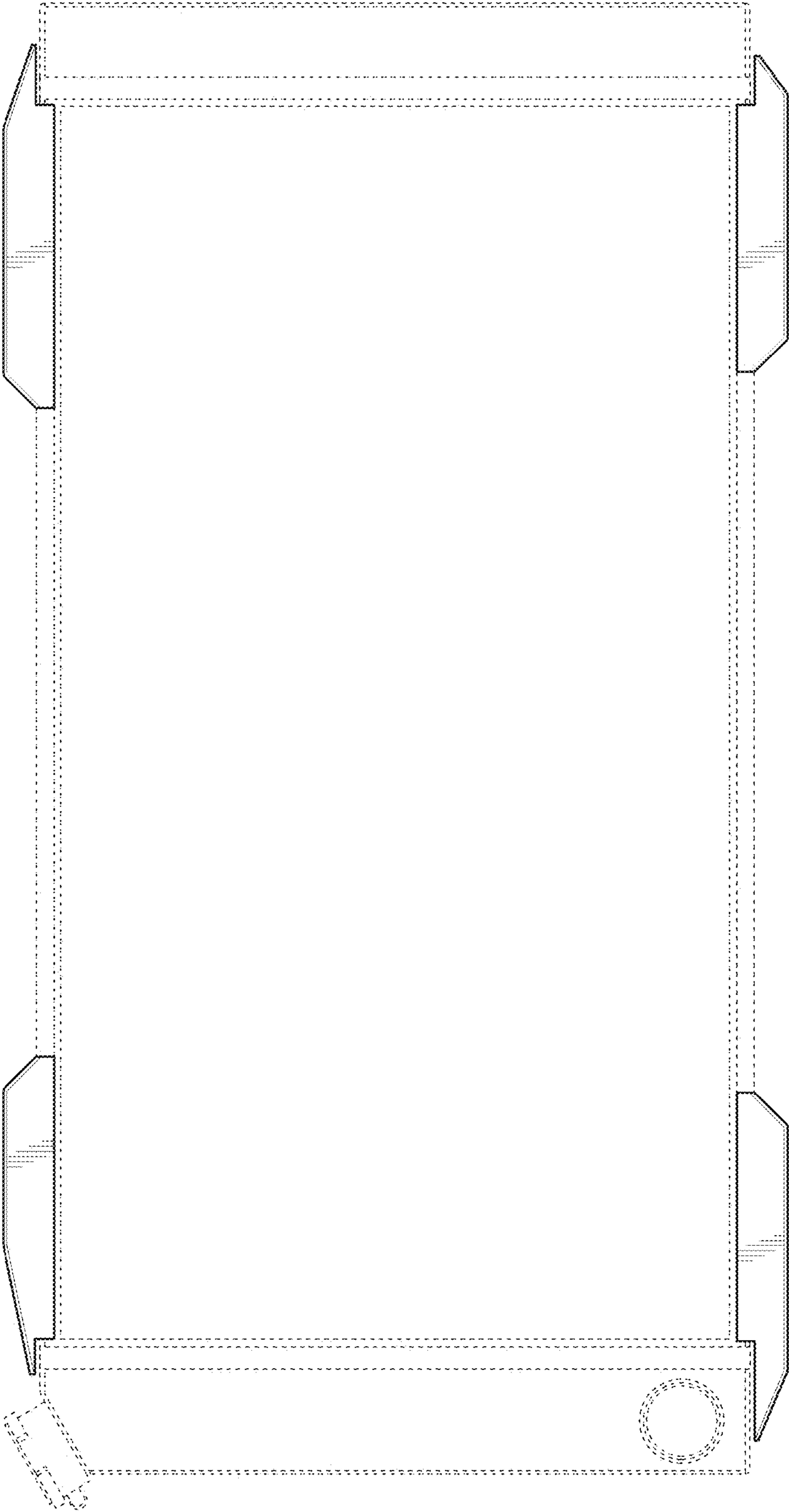


FIG. 6

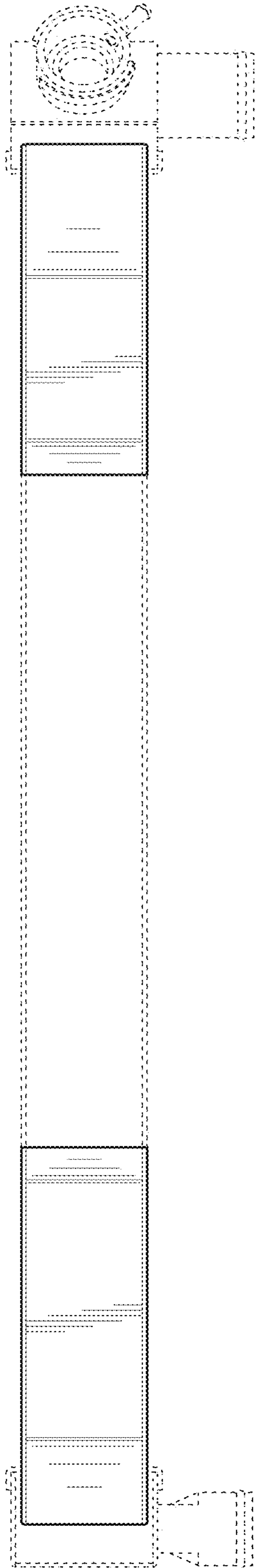


FIG. 7

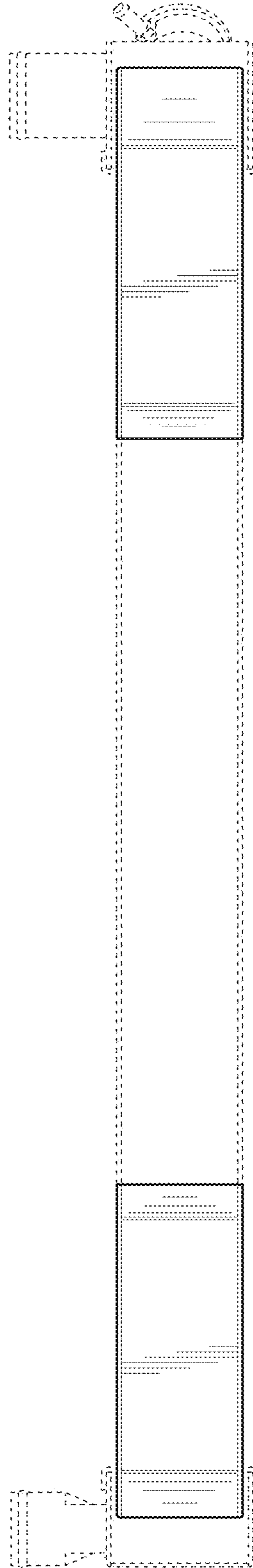


FIG. 8