



US00D891311S

(12) **United States Design Patent**
Petsch

(10) **Patent No.:** **US D891,311 S**

(45) **Date of Patent:** **** Jul. 28, 2020**

(54) **GAIT TRAINING TOOL**

(71) Applicant: **Cassi Lee Petsch**, Cedar Park, TX (US)

(72) Inventor: **Cassi Lee Petsch**, Cedar Park, TX (US)

(**) Term: **15 Years**

(21) Appl. No.: **29/693,990**

(22) Filed: **Jun. 6, 2019**

(51) **LOC (12) Cl.** **12-12**

(52) **U.S. Cl.**

USPC **D12/133**

(58) **Field of Classification Search**

USPC **D12/128–133**

See application file for complete search history.

(56) **References Cited**

U.S. PATENT DOCUMENTS

D577,634 S *	9/2008	Lundh	D12/133
D589,411 S *	3/2009	Brown	D12/133
D631,403 S *	1/2011	Knopf	D12/133
D727,217 S *	4/2015	Brown, Jr.	D12/133
D731,366 S *	6/2015	Gingras	D12/133
D783,464 S *	4/2017	Menn	D12/133
D789,257 S *	6/2017	Bucher	D12/133

D791,650 S *	7/2017	Brown, Jr.	D12/133
D840,878 S *	2/2019	Lan	D12/133
D874,352 S *	2/2020	MacKenzie	D12/133

* cited by examiner

Primary Examiner — Charles D Hanson

(74) *Attorney, Agent, or Firm* — Eric Karich; Karich & Associates

(57) **CLAIM**

The ornamental design for a gait training tool, as shown and described.

DESCRIPTION

FIG. 1 is a perspective view of a gait training tool, showing my new design, illustrated as being attached to a wheelchair and a walker;

FIG. 2 is a perspective view of a gait training tool, showing my new design, illustrated without being attached to a wheelchair and a walker;

FIG. 3 is a front elevational view thereof;

FIG. 4 is a rear elevational view thereof;

FIG. 5 is a left side elevational view thereof

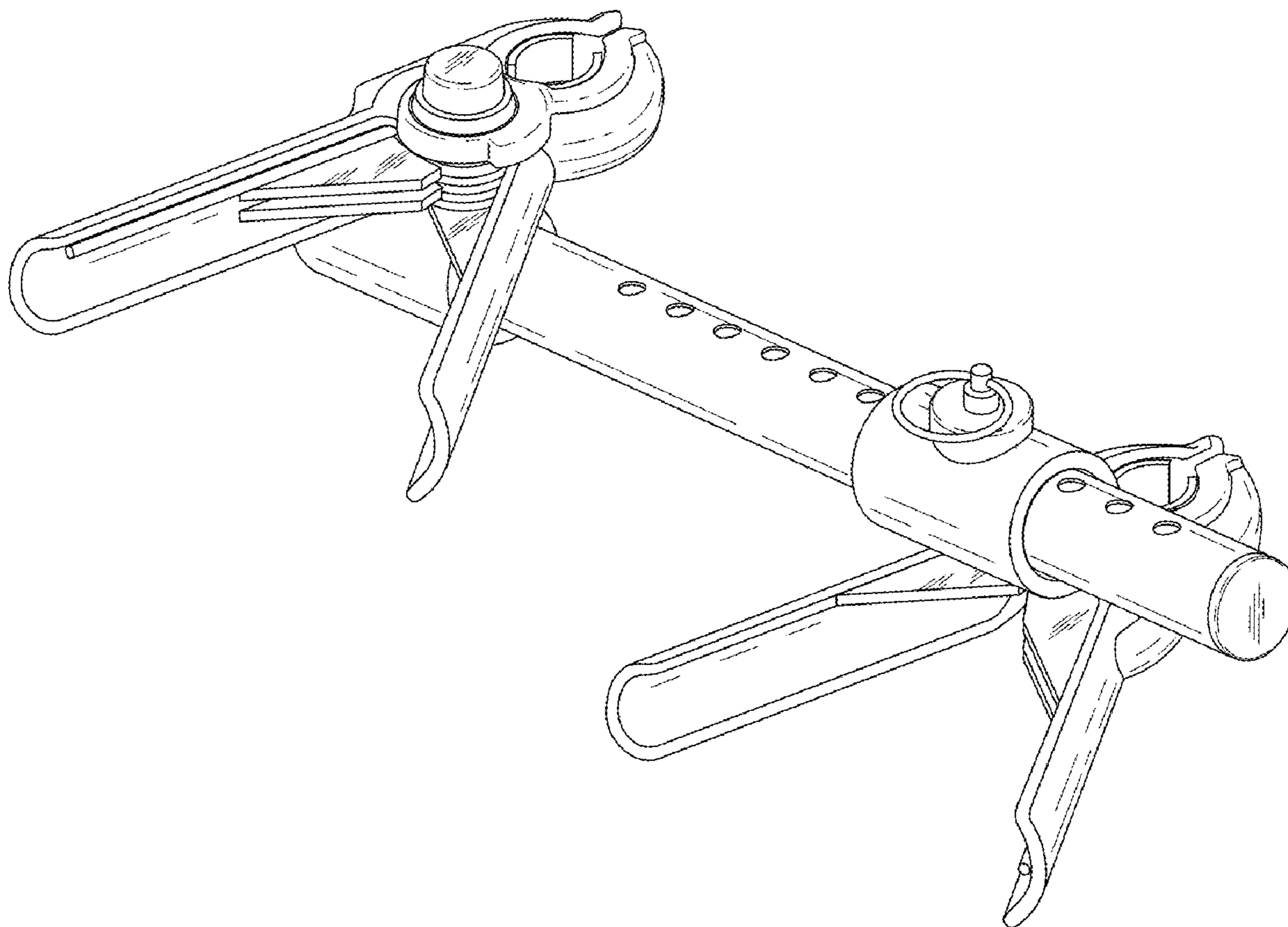
FIG. 6 is a right side elevational view thereof;

FIG. 7 is a top plan view thereof; and,

FIG. 8 is a bottom plan view thereof.

The broken lines shown in the drawings form no part of the claimed design.

1 Claim, 5 Drawing Sheets



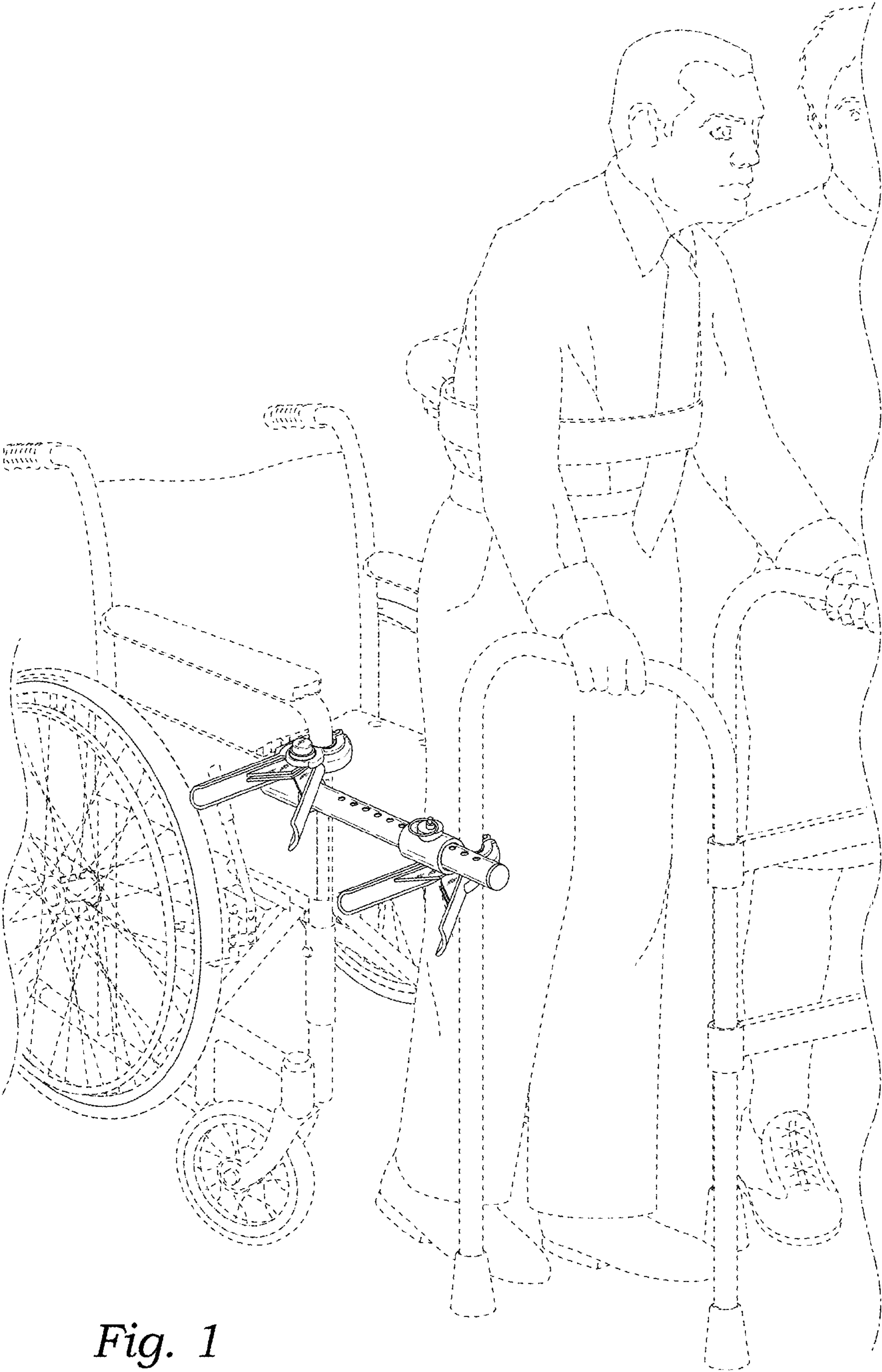


Fig. 1

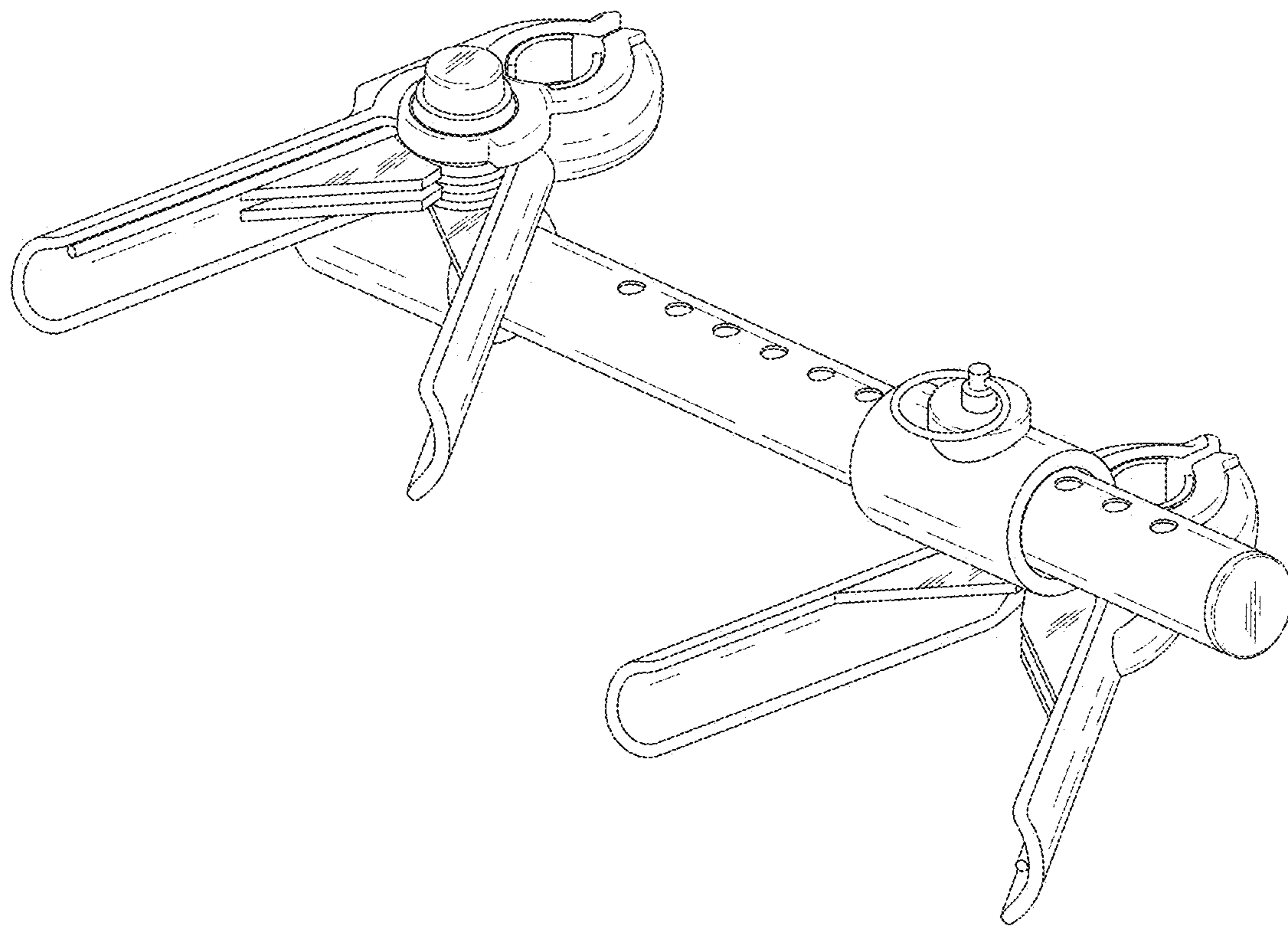


Fig. 2

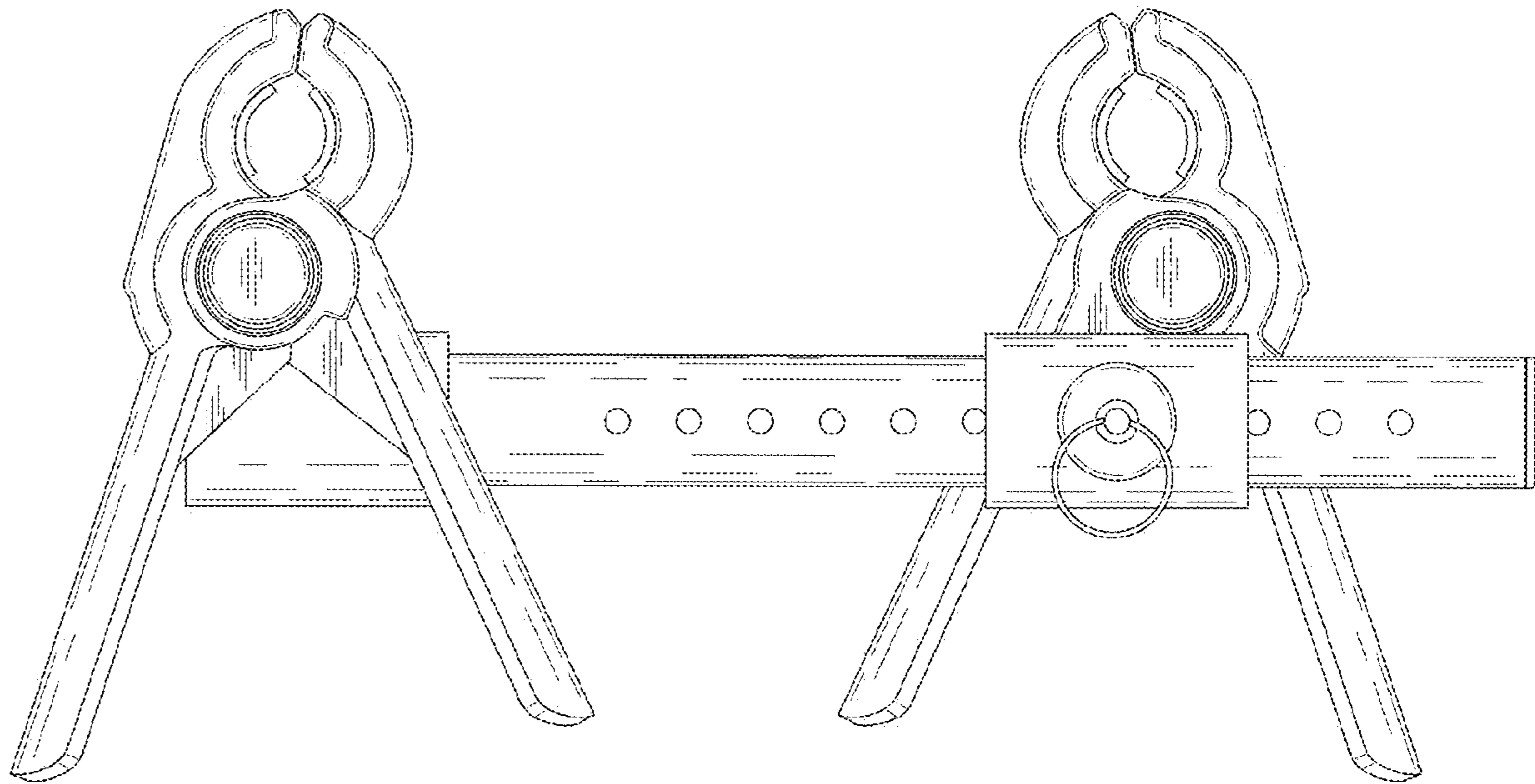


Fig. 3

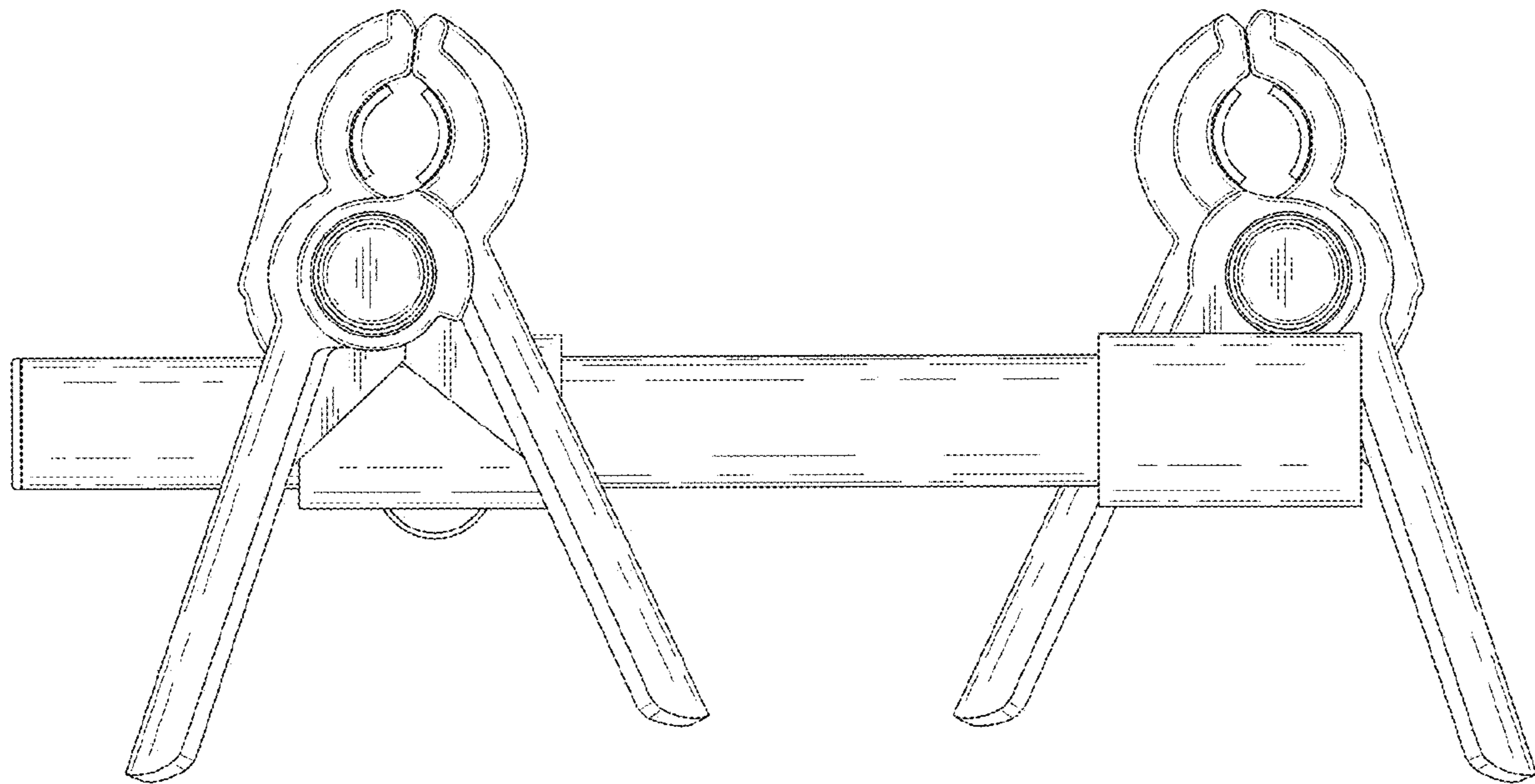


Fig. 4

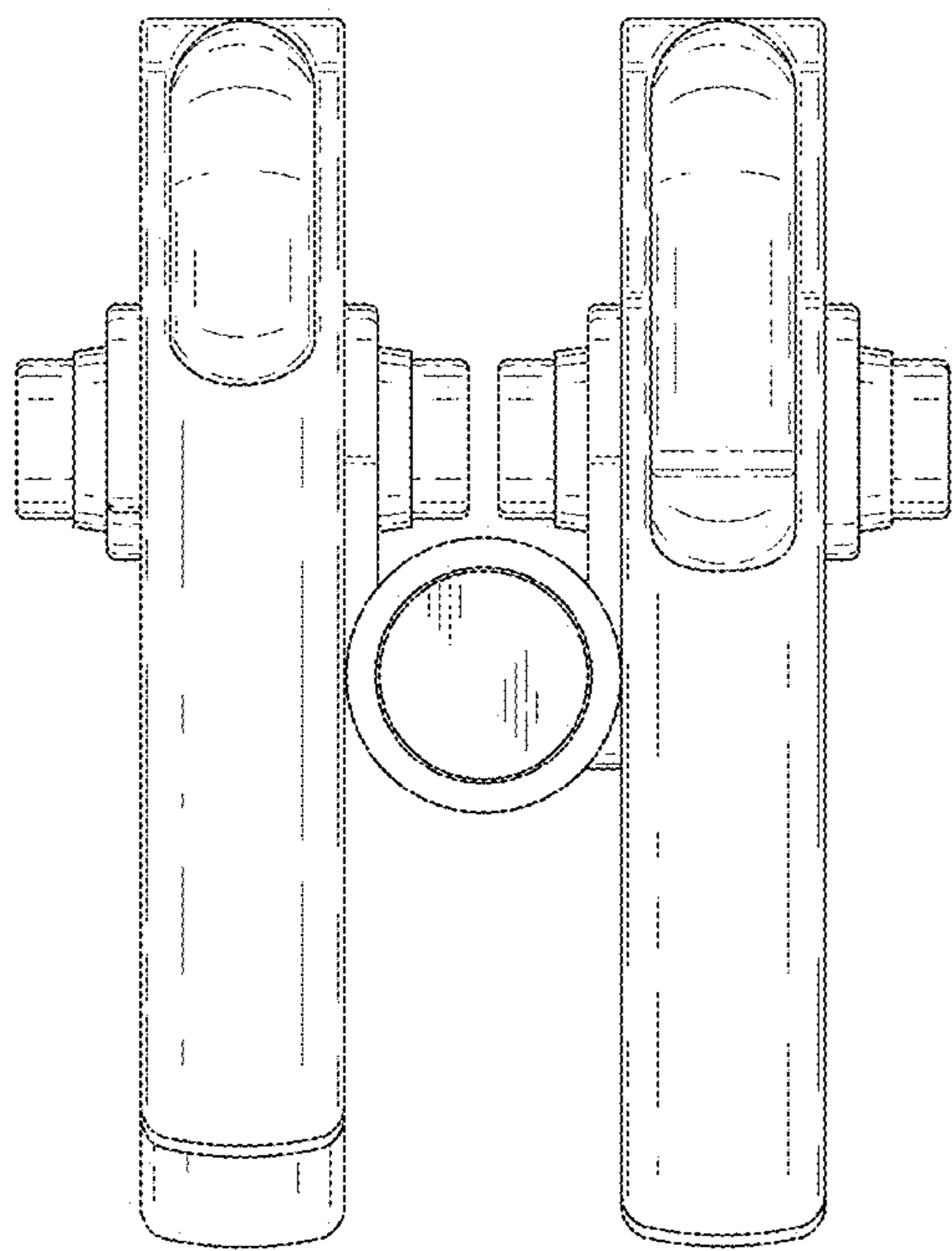


Fig. 5

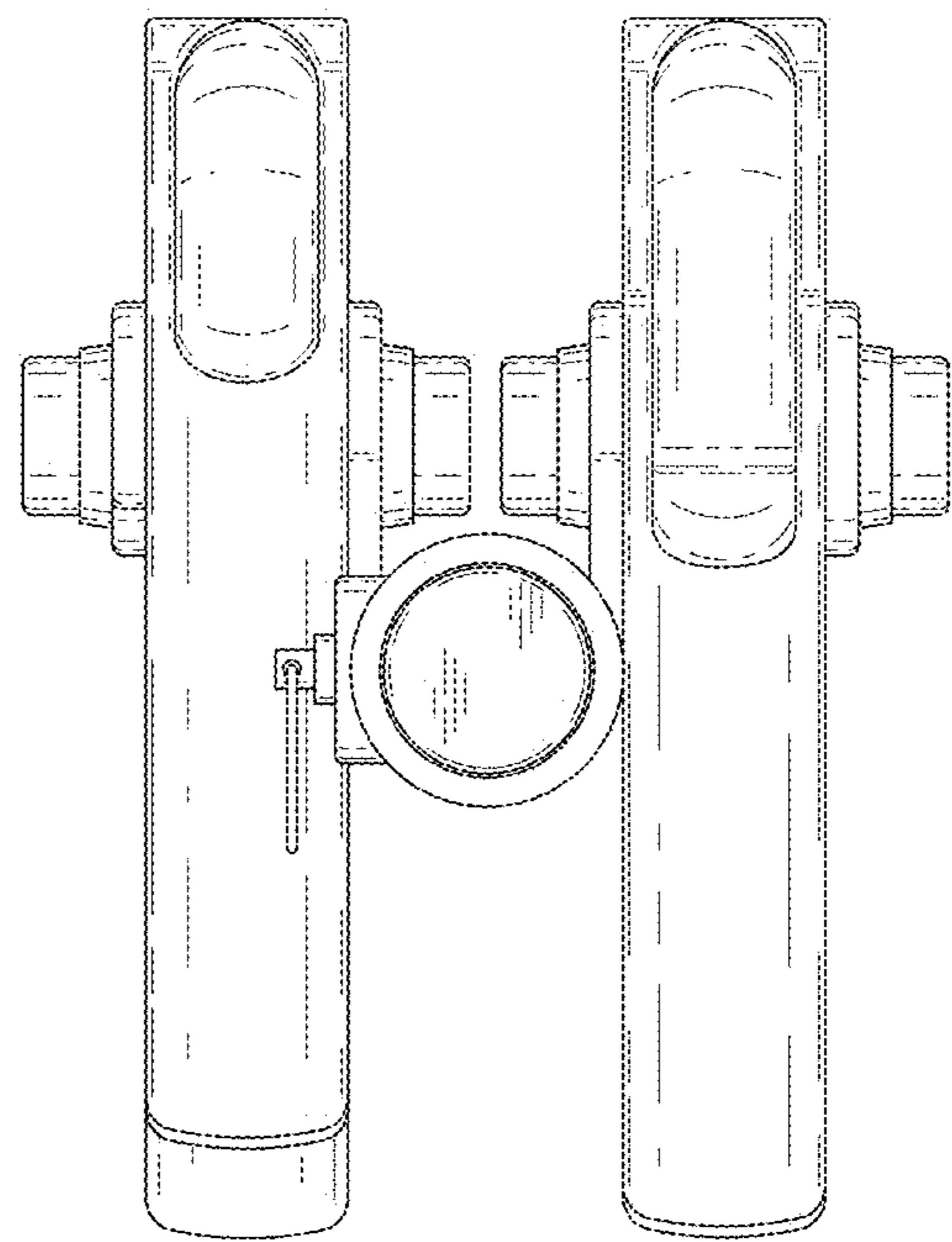


Fig. 6

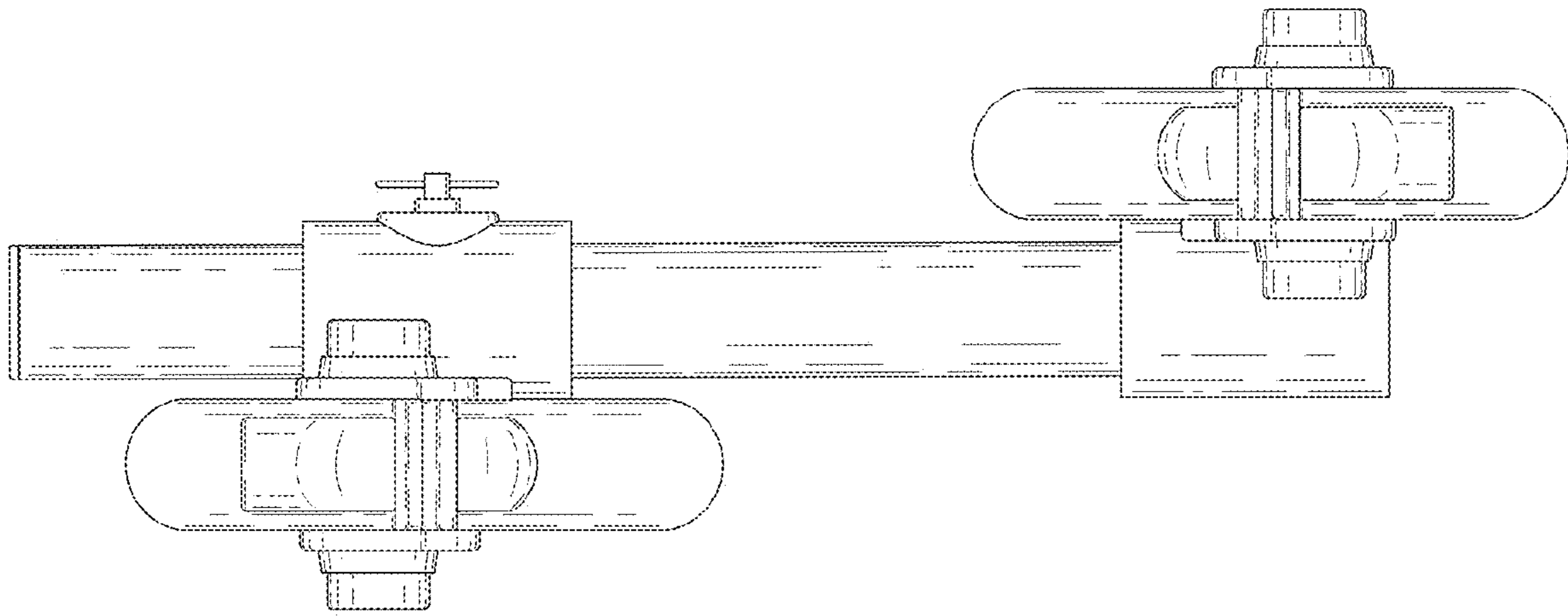


Fig. 7

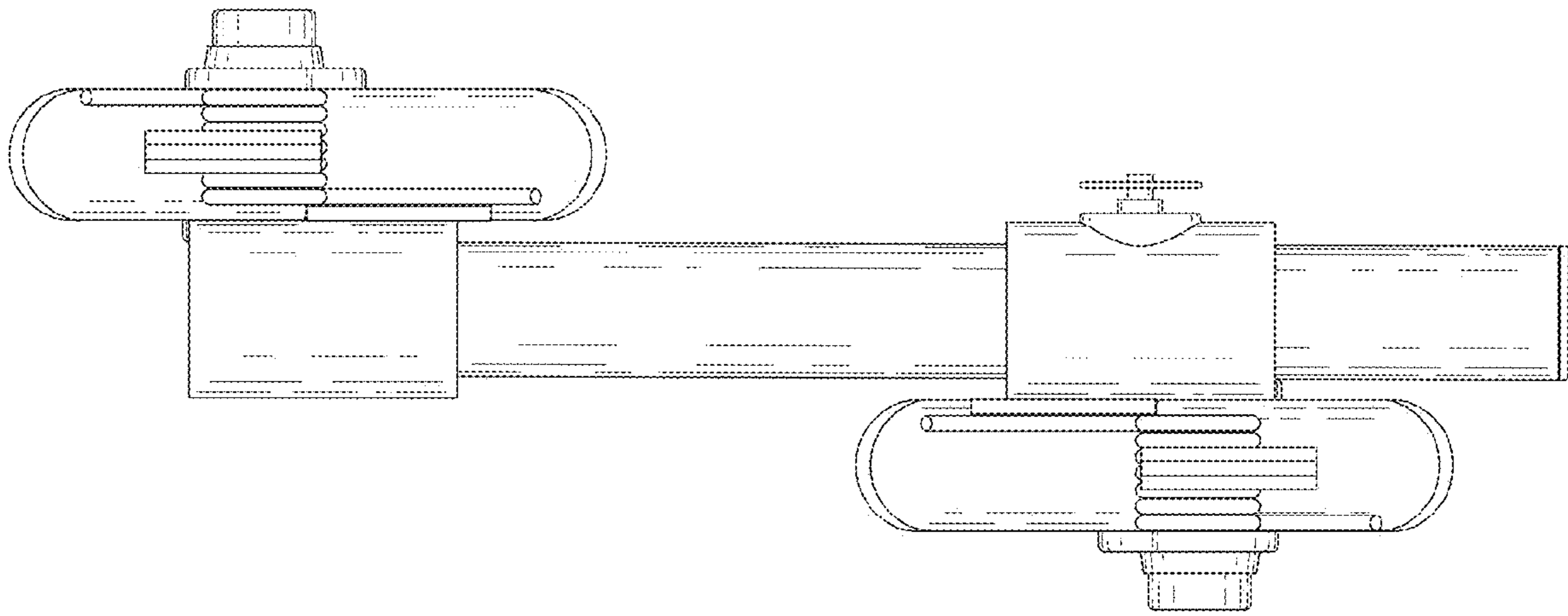


Fig. 8