



US00D891310S

(12) **United States Design Patent Grant** (10) **Patent No.:** **US D891,310 S**
 (45) **Date of Patent:** **** Jul. 28, 2020**

(54) **ELECTRIC WHEELCHAIR**

(71) Applicant: **Pride Mobility Products Corporation**,
Exeter, PA (US)

(72) Inventor: **Michael A. Grant**, Jermyn, PA (US)

(73) Assignee: **PRIDE MOBILITY PRODUCTS CORPORATION**, Exeter, PA (US)

(**) Term: **15 Years**

(21) Appl. No.: **29/678,397**

(22) Filed: **Jan. 29, 2019**

(51) **LOC (12) Cl.** **12-12**

(52) **U.S. Cl.**
USPC **D12/131**

(58) **Field of Classification Search**
USPC D12/128-133
CPC A61G 5/00-14
See application file for complete search history.

D720,659 S * 1/2015 Tuckowski D12/131
 D720,660 S 1/2015 Siao
 D720,661 S 1/2015 Siao
 D720,663 S 1/2015 Spalding
 D745,443 S 12/2015 Van Olst
 D787,382 S * 5/2017 Elon D12/133
 D801,234 S * 10/2017 Elon D12/133
 D808,868 S * 1/2018 Cheng D12/128
 D811,279 S * 2/2018 McCullough D12/131
 D824,292 S * 7/2018 Surbeck D12/131
 D833,919 S * 11/2018 McCollough D12/131
 D848,317 S * 5/2019 Sugie D12/131
 D857,562 S * 8/2019 McCollough D12/131
 2011/0083914 A1 4/2011 Art

* cited by examiner

Primary Examiner — Charles D Hanson
 (74) *Attorney, Agent, or Firm* — Morgan, Lewis & Bockius LLP

(57) **CLAIM**

The ornamental design for an electric wheelchair, as shown and described.

(56) **References Cited**

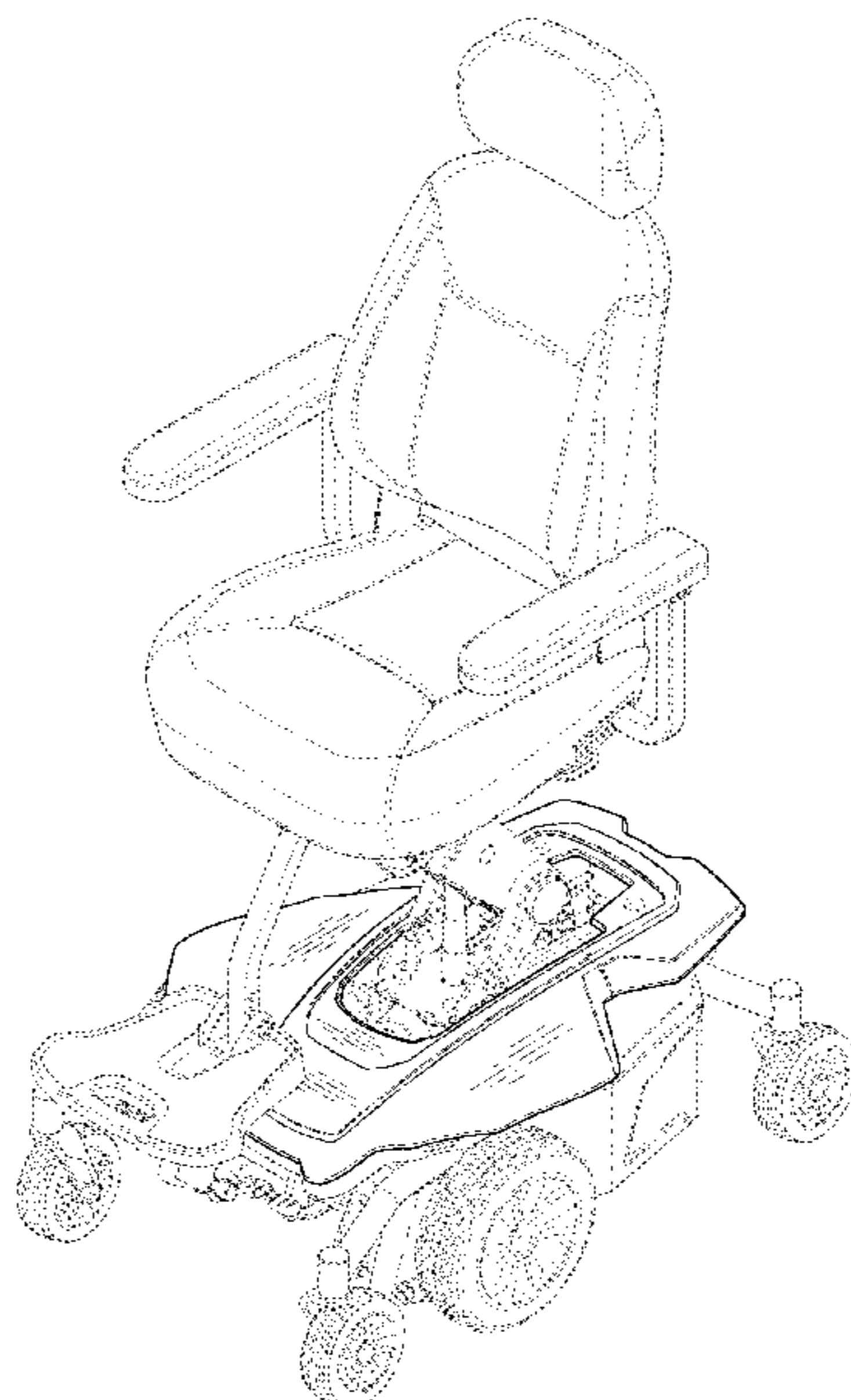
U.S. PATENT DOCUMENTS

D462,639 S 9/2002 Lin
 D479,496 S 9/2003 Tsai
 D488,409 S 4/2004 Tsai
 D489,653 S 5/2004 Tsai
 D494,110 S 8/2004 Cheng
 D494,510 S 8/2004 Tsai
 D511,720 S 11/2005 Chen
 D517,456 S 3/2006 Wu
 D523,788 S 6/2006 Jones
 D600,169 S * 9/2009 Chiu D12/133
 D611,392 S 3/2010 Carlton
 D635,493 S 4/2011 Art
 D642,499 S 8/2011 Tuckowski
 D652,357 S * 1/2012 Jurkiewicz D12/128
 D653,176 S * 1/2012 Jurkiewicz D12/131
 D656,070 S * 3/2012 Spalding D12/131
 D689,412 S 9/2013 Mohan

DESCRIPTION

FIG. 1 is a front perspective view of an electric wheelchair showing my new design;
 FIG. 2 is a rear perspective view thereof;
 FIG. 3 is a front elevational view thereof;
 FIG. 4 is a rear elevational view thereof;
 FIG. 5 is a left-side elevational view thereof;
 FIG. 6 is a right-side elevational view thereof;
 FIG. 7 is a top plan view thereof; and,
 FIG. 8 is a bottom plan view thereof.
 The broken lines immediately adjacent the shaded areas represent the bounds of the claimed design while all other broken lines are directed to unclaimed portions and are for illustrative purposes only; the broken lines form no part of the claimed design.

1 Claim, 8 Drawing Sheets



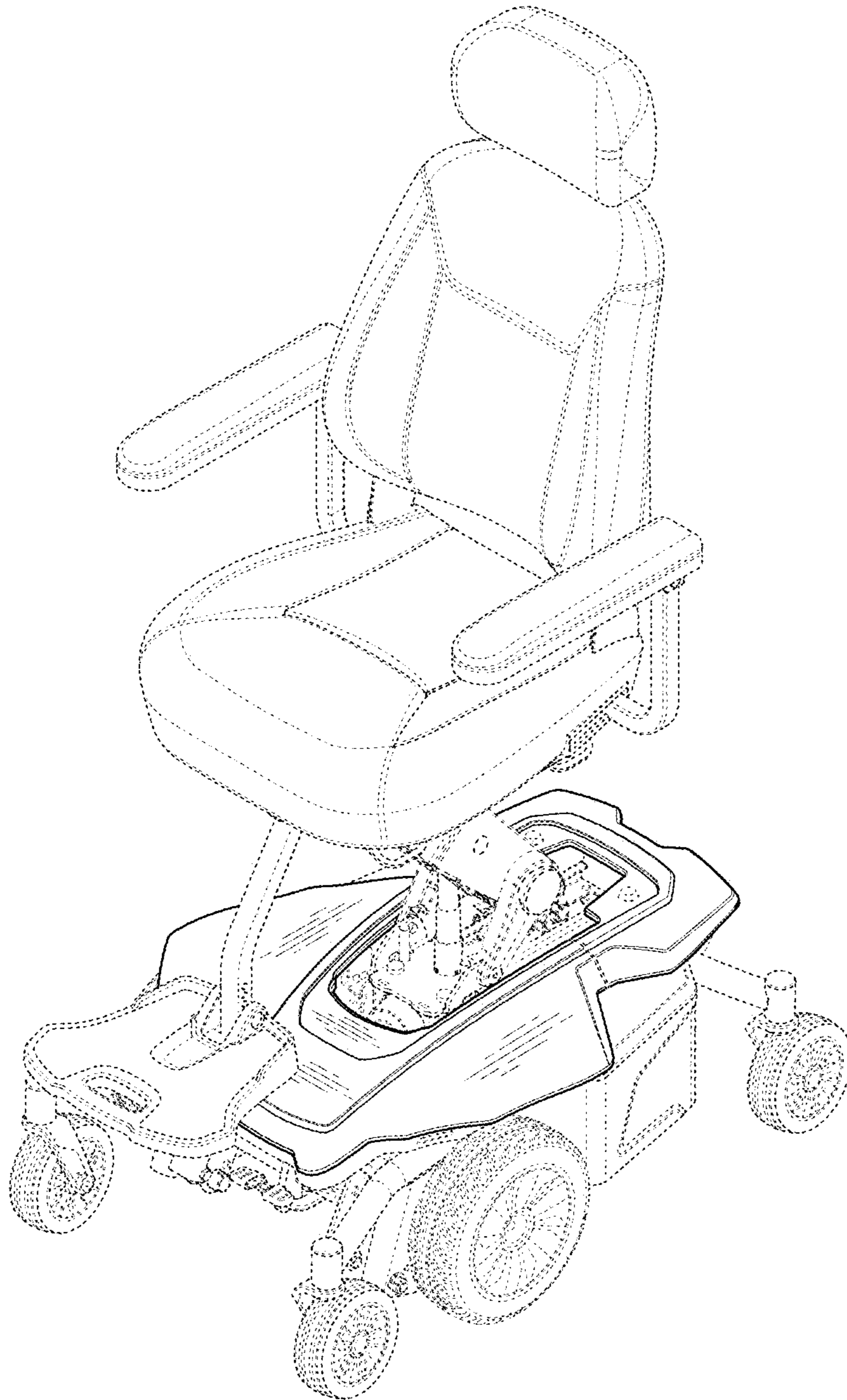


FIG. 1

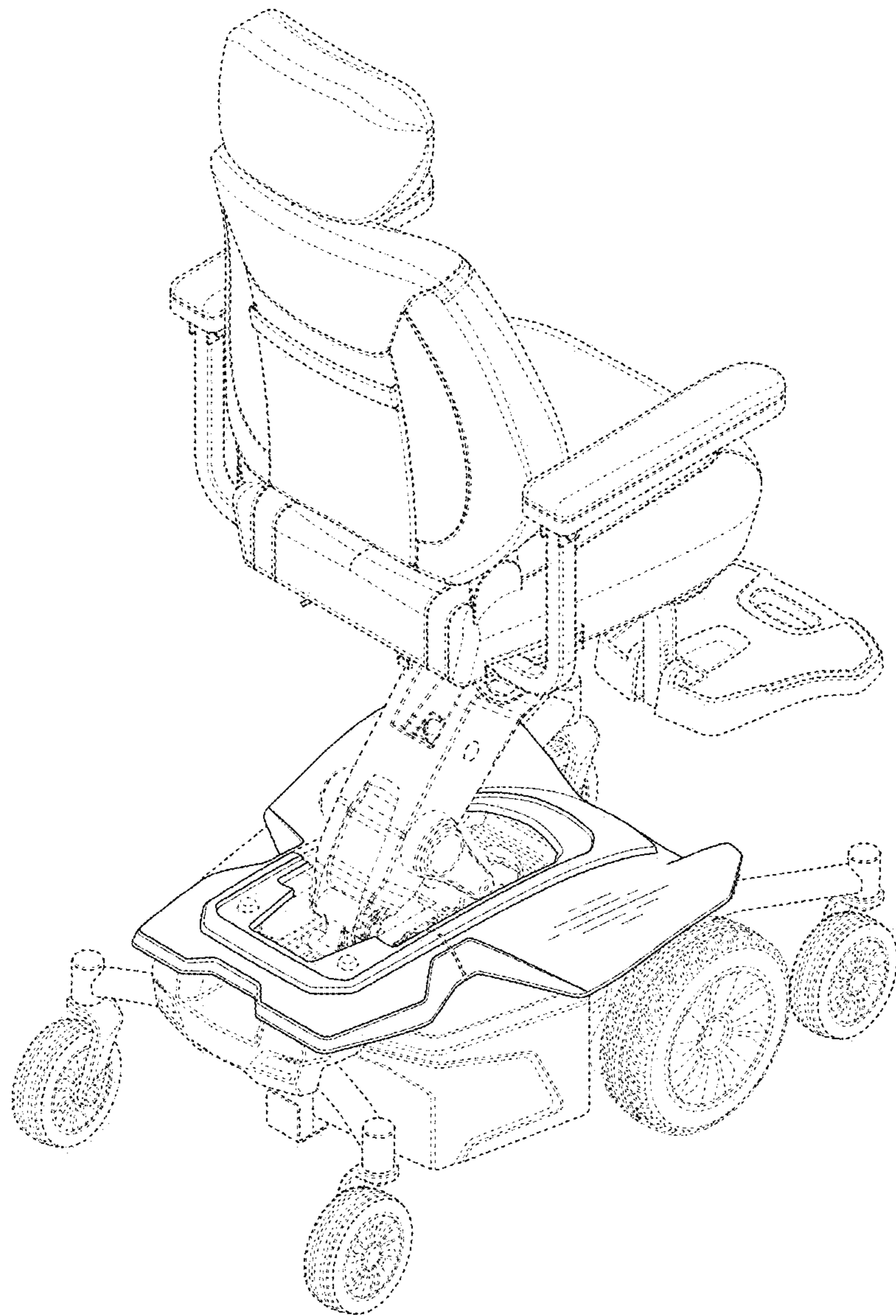


FIG. 2

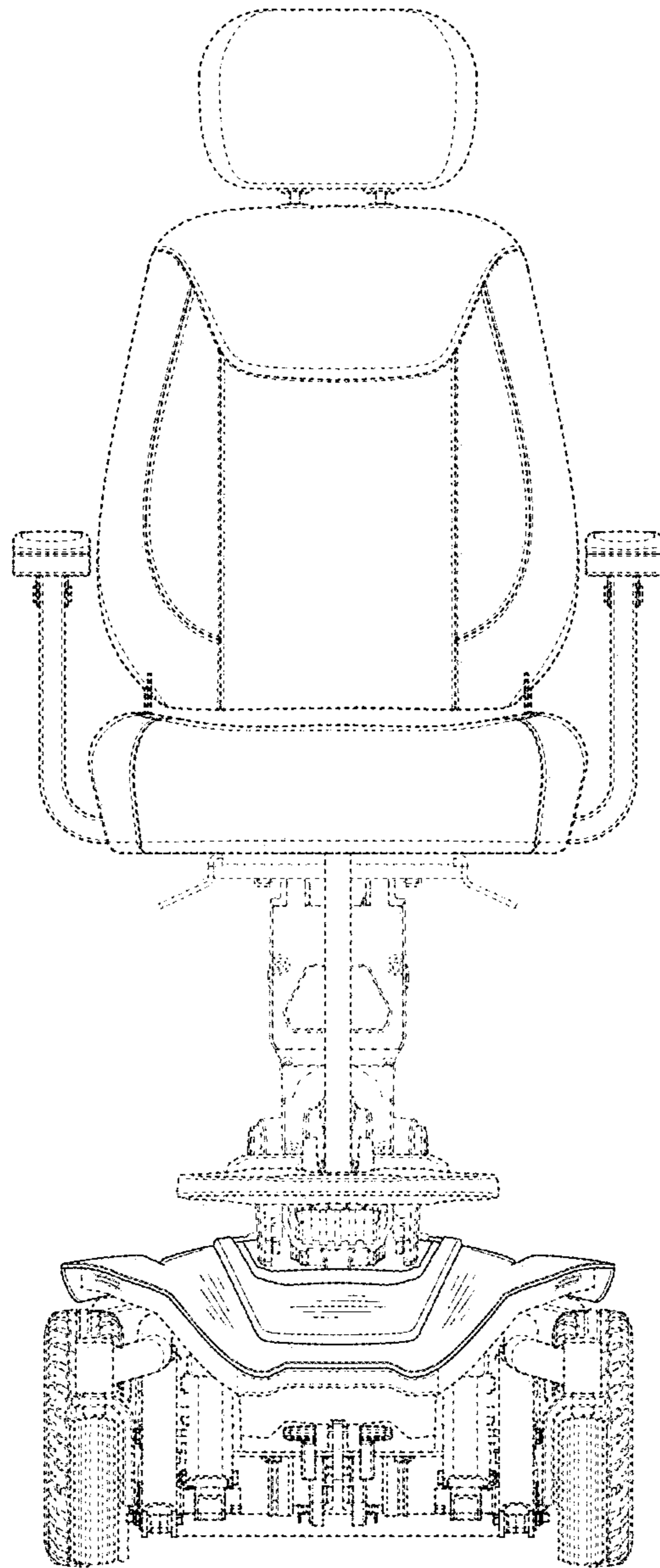


FIG. 3

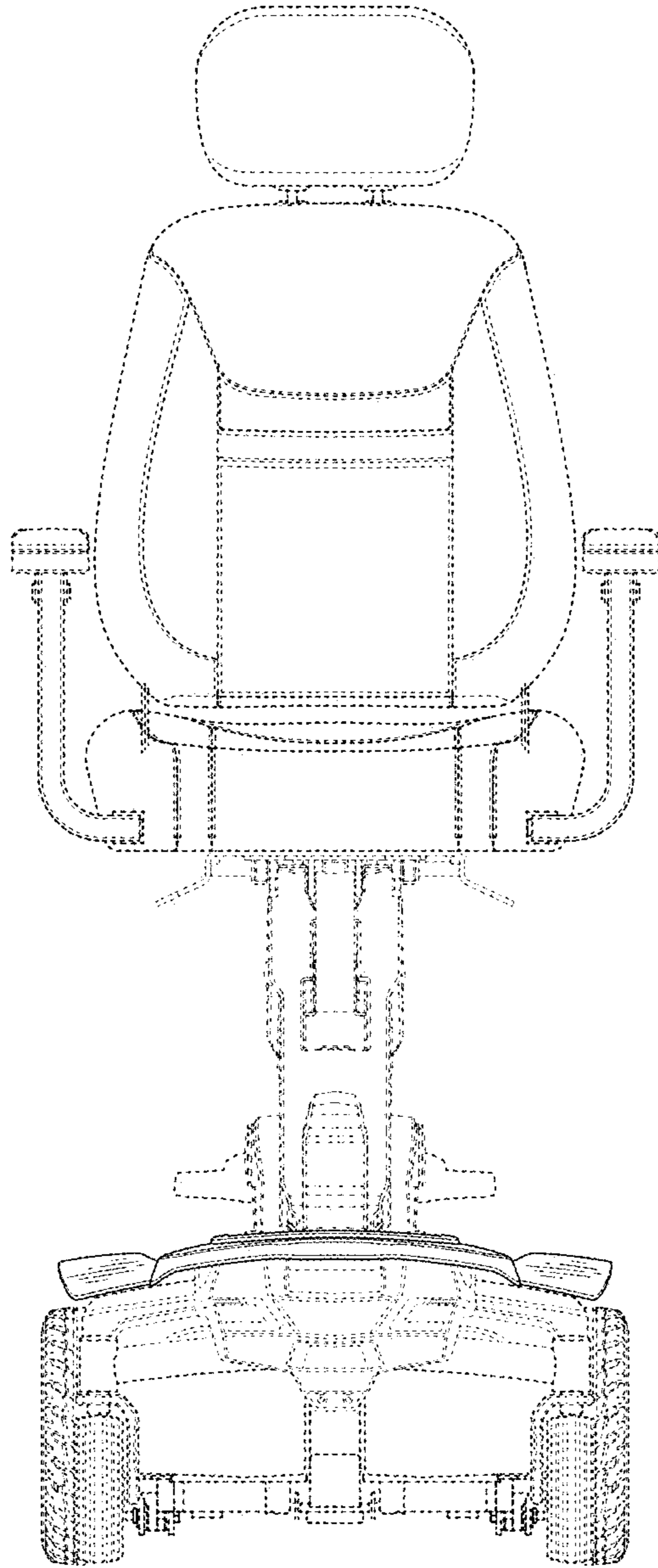


FIG. 4

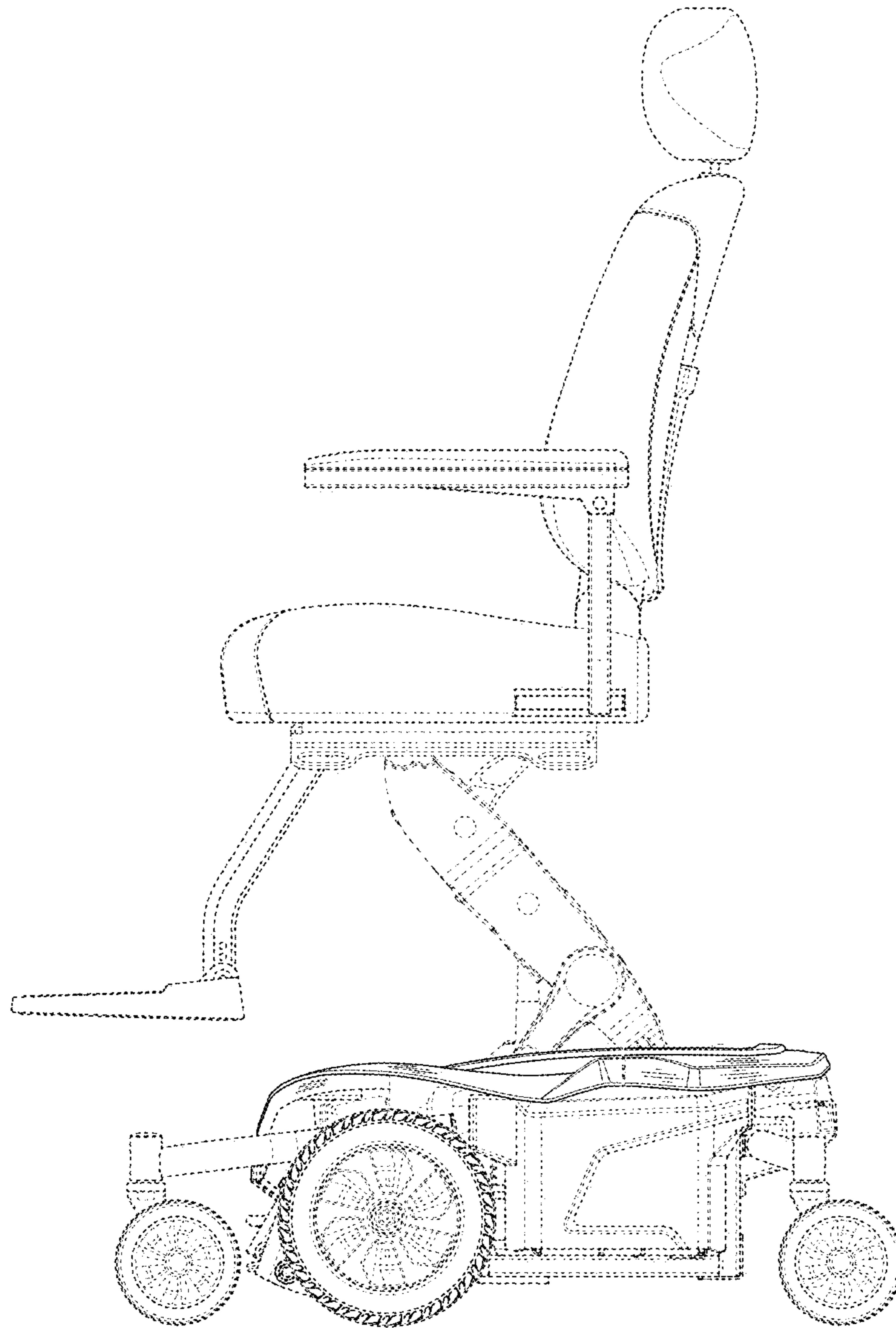


FIG. 5

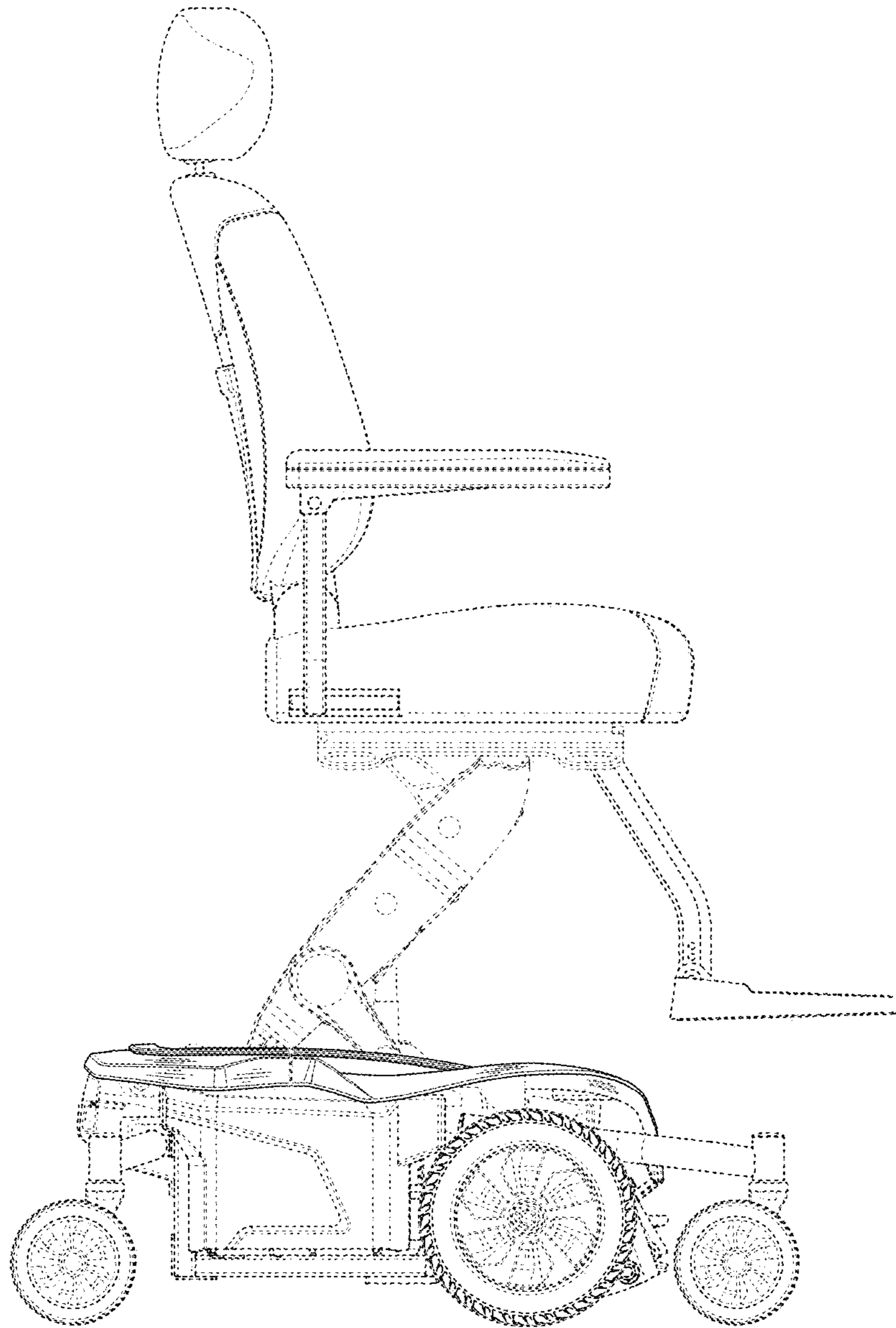


FIG. 6

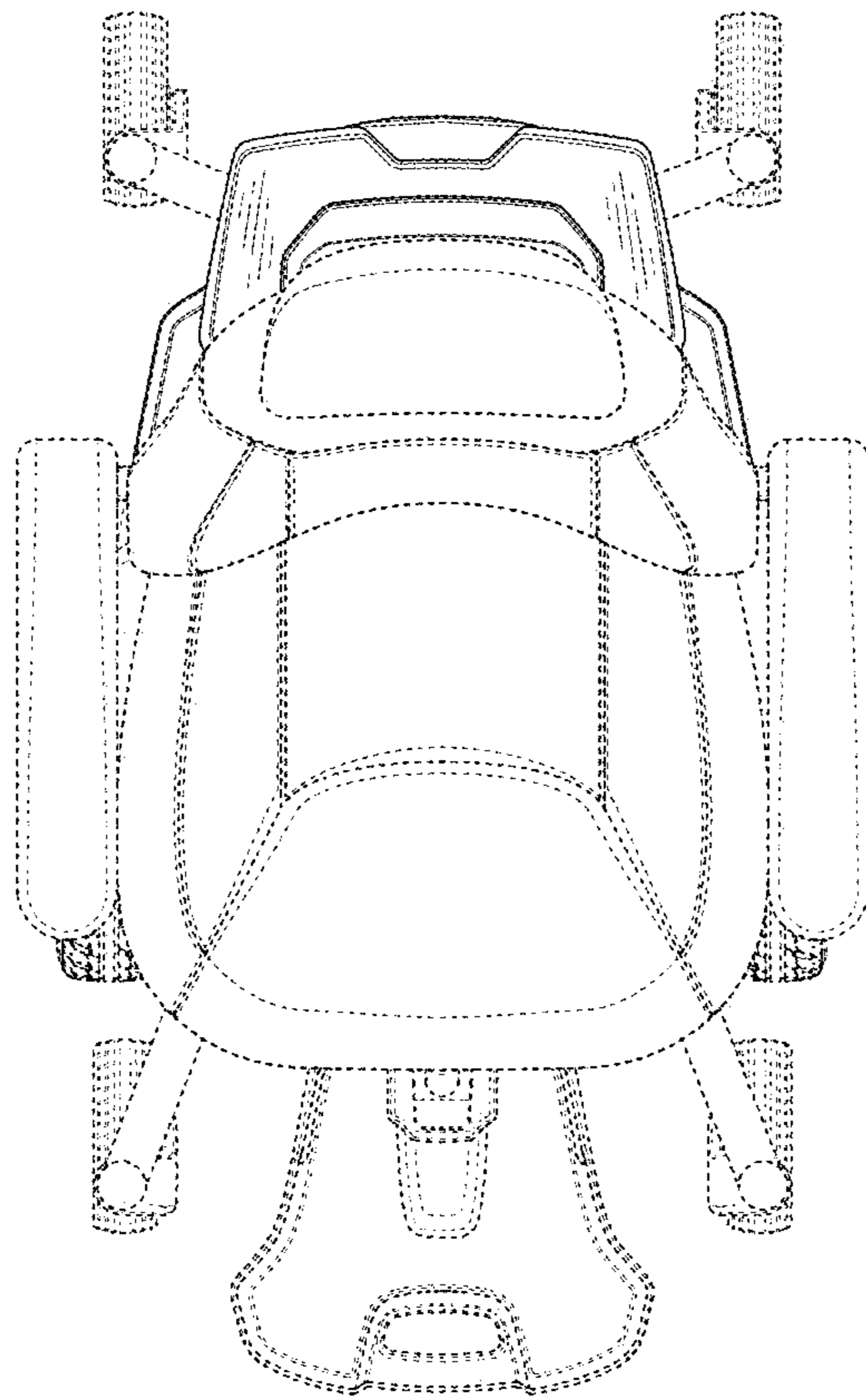


FIG. 7

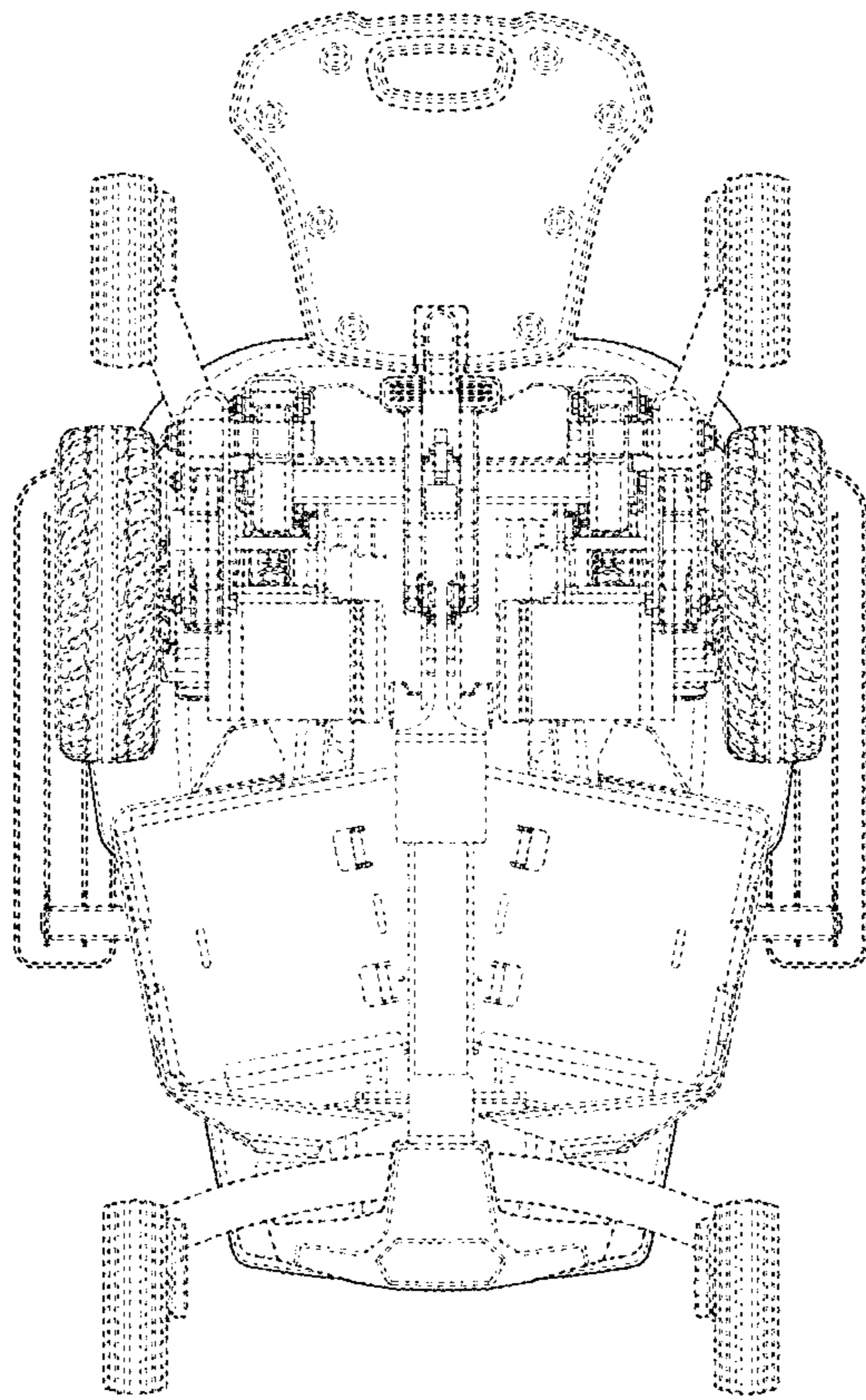


FIG. 8