



US00D891309S

(12) **United States Design Patent**
Li

(10) **Patent No.:** **US D891,309 S**
(45) **Date of Patent:** **** Jul. 28, 2020**

- (54) **KNEE REST WALKER**
- (71) Applicant: **Qingfeng Li**, Foshan (CN)
- (72) Inventor: **Qingfeng Li**, Foshan (CN)
- (**) Term: **15 Years**
- (21) Appl. No.: **29/683,262**
- (22) Filed: **Mar. 12, 2019**
- (51) **LOC (12) Cl.** **12-12**
- (52) **U.S. Cl.**
USPC **D12/130**
- (58) **Field of Classification Search**
USPC D12/128-133
CPC A47D 13/043; A47D 13/107; A47D 13/04;
A47D 13/005; A47D 3/00
See application file for complete search history.

- 8,348,288 B1 * 1/2013 Laughon, Sr. A61G 5/02
280/87.021
- 9,227,684 B2 * 1/2016 Smith B62K 5/003
- D756,272 S * 5/2016 Okubo D12/130
- D770,944 S * 11/2016 Aschenbrenner D12/130
- D810,631 S * 2/2018 Silvestrin D12/130
- 2008/0284125 A1 * 11/2008 Ramm A61H 3/04
280/263
- 2012/0161416 A1 * 6/2012 Walther B62K 5/023
280/263

* cited by examiner

Primary Examiner — Charles D Hanson
(74) *Attorney, Agent, or Firm* — Dunlap, Bennett & Ludwig PLLC; Brendan E. Squire

(57) **CLAIM**

The ornamental design for a knee rest walker, as shown and described.

DESCRIPTION

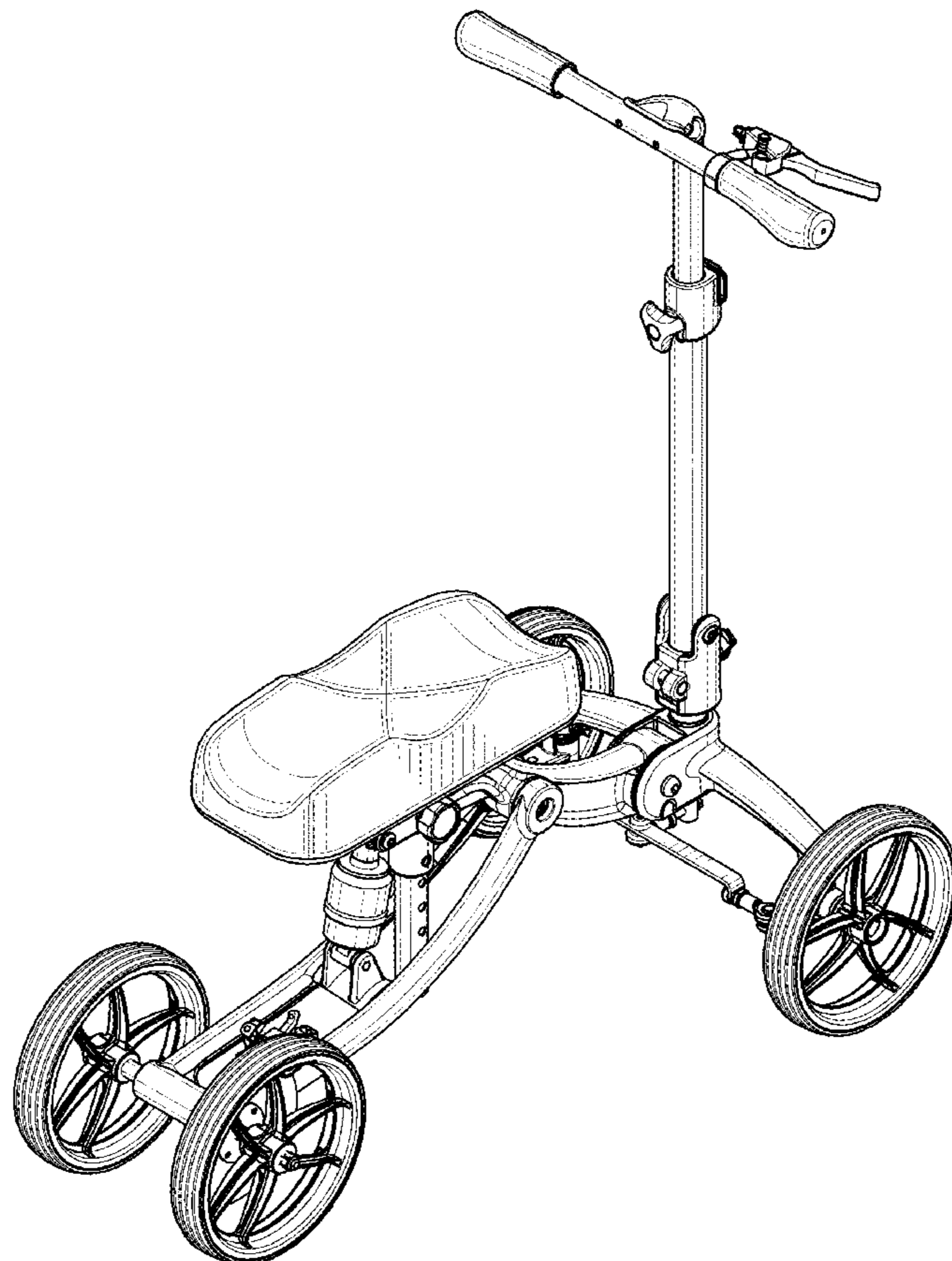
FIG. 1 is a perspective view of the knee rest walker showing my new design.
FIG. 2 is a front elevation view thereof.
FIG. 3 is a back elevation view thereof.
FIG. 4 is a left side elevation view thereof.
FIG. 5 is a right side elevation view thereof.
FIG. 6 is top plan view thereof; and,
FIG. 7 is bottom plan view thereof.

1 Claim, 6 Drawing Sheets

(56) **References Cited**

U.S. PATENT DOCUMENTS

- D363,904 S * 11/1995 Stone D12/128
- 6,848,696 B2 * 2/2005 Miller A61H 3/04
135/67
- D517,455 S * 3/2006 Allen D12/130
- D589,410 S * 3/2009 Ramm D12/130
- D597,451 S * 8/2009 Ramm D12/130
- D618,140 S * 6/2010 Sanderson D12/130



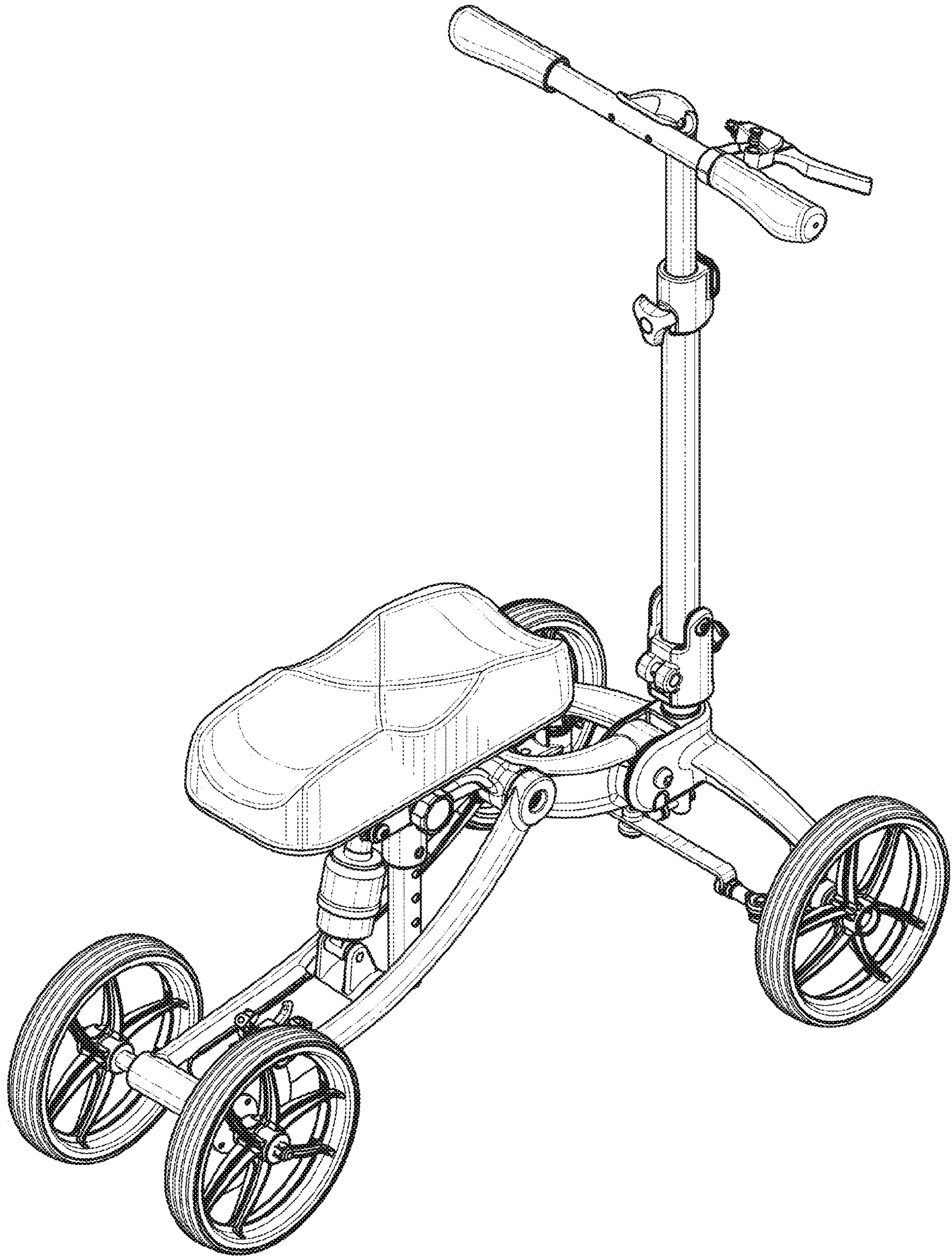


FIG. 1

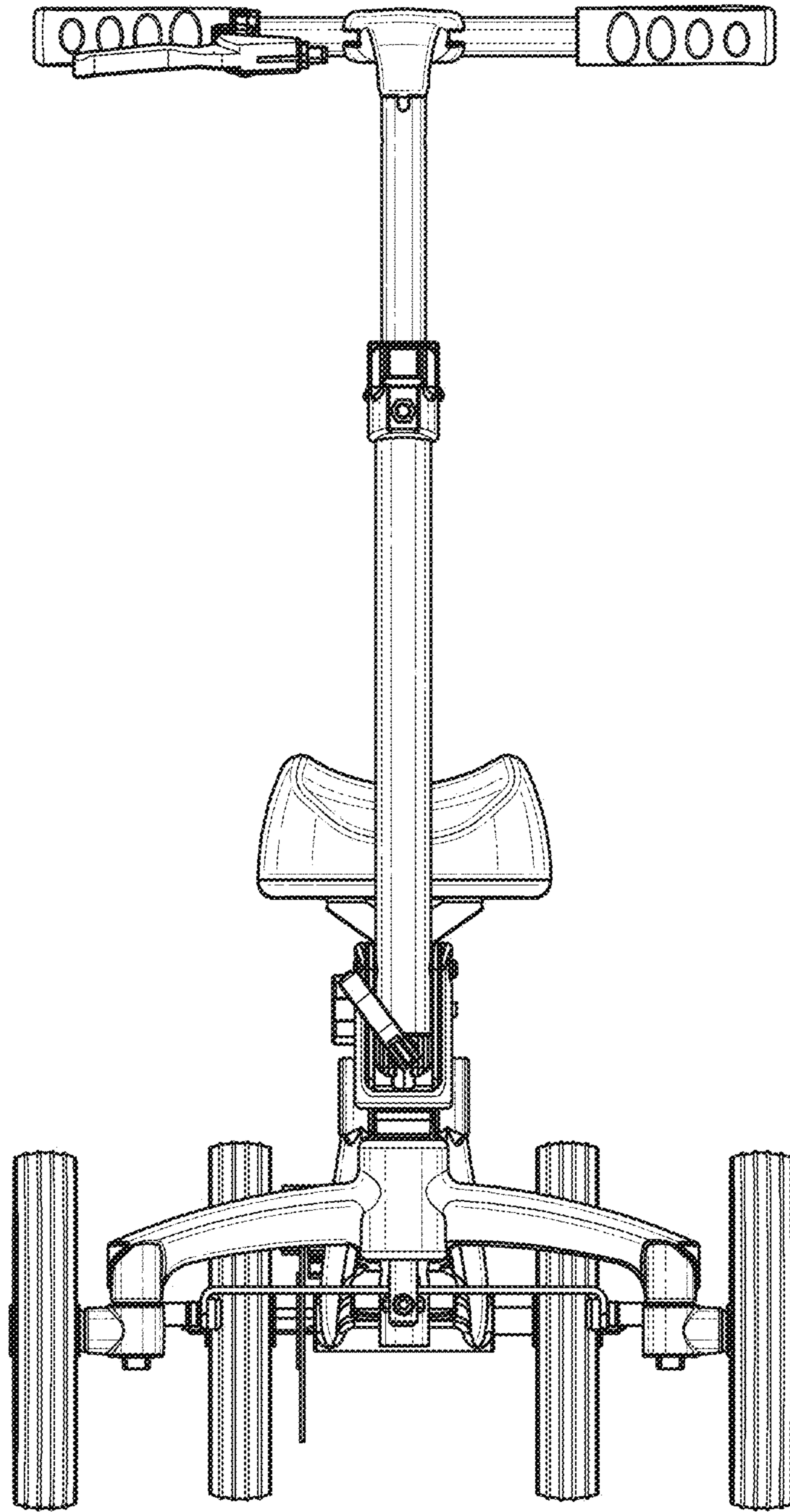


FIG. 2

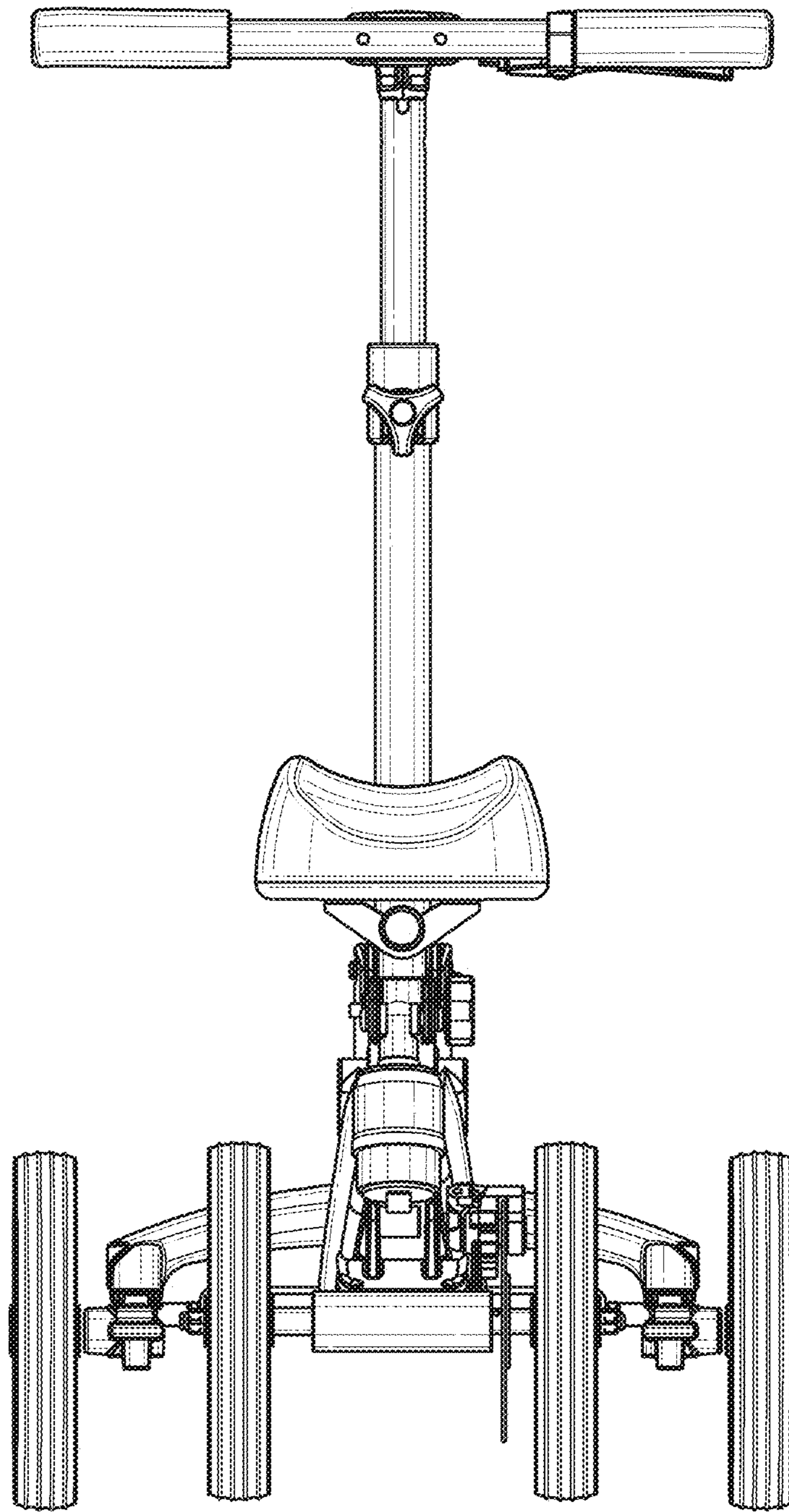


FIG. 3

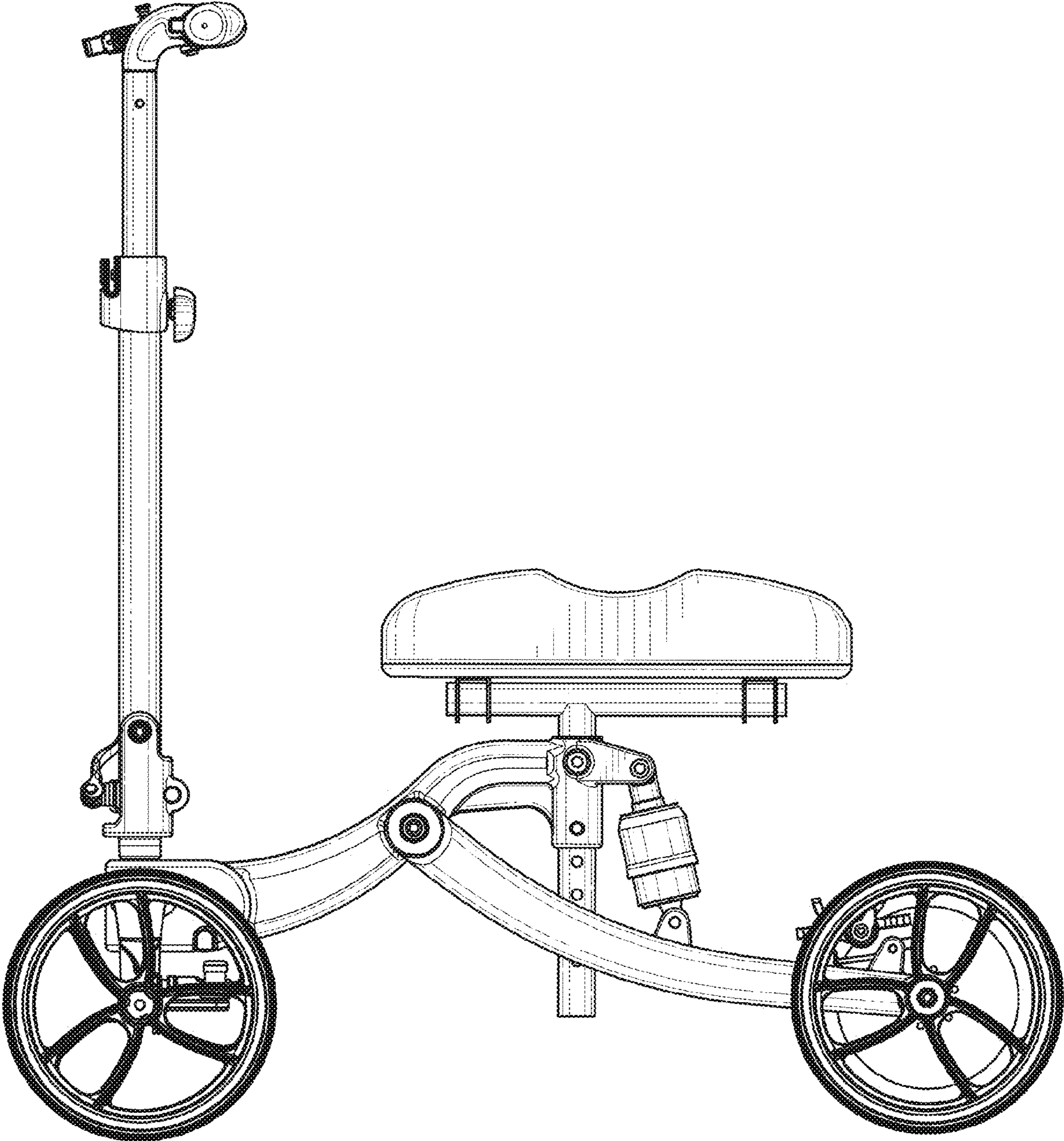


FIG. 4

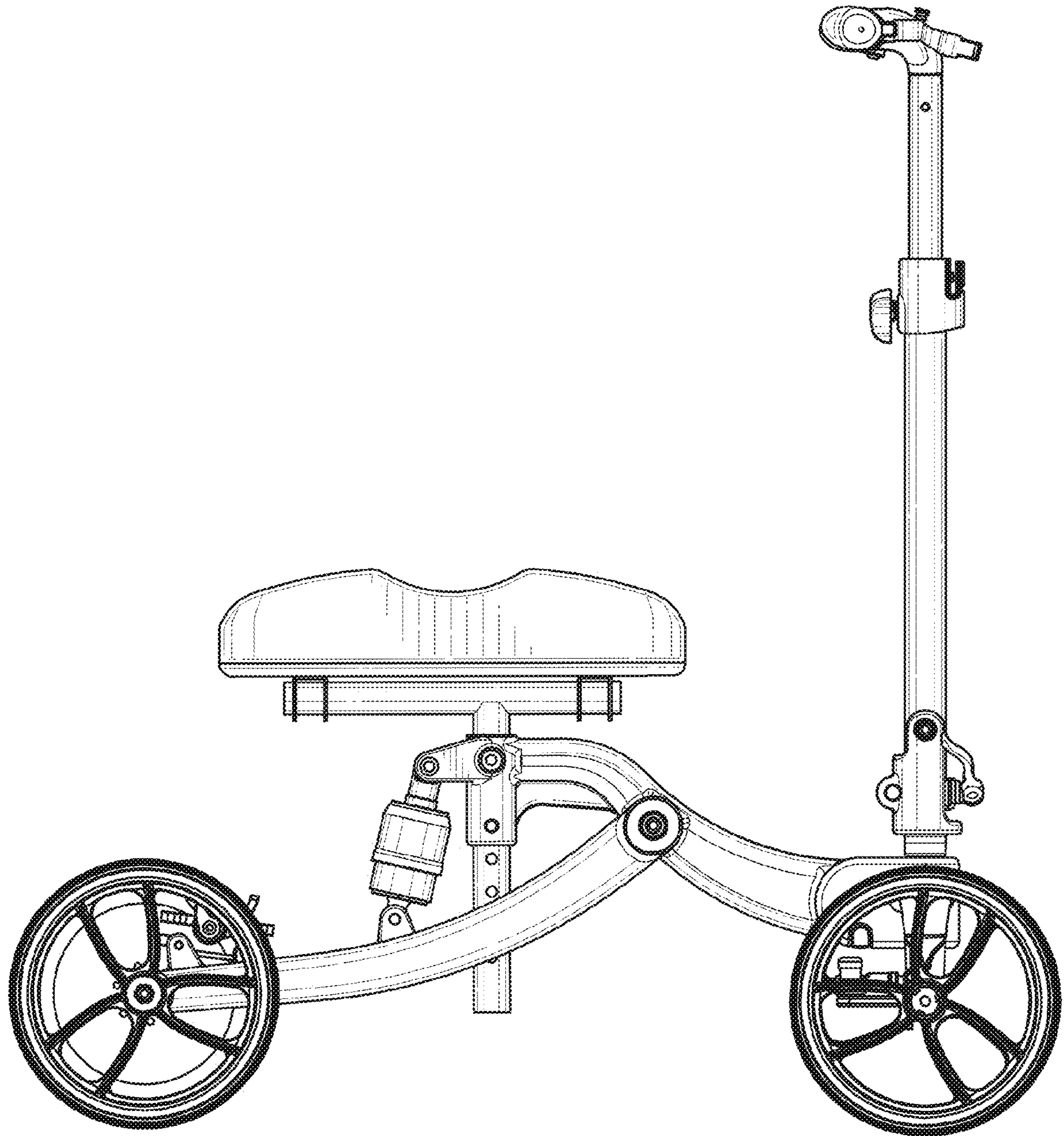


FIG. 5

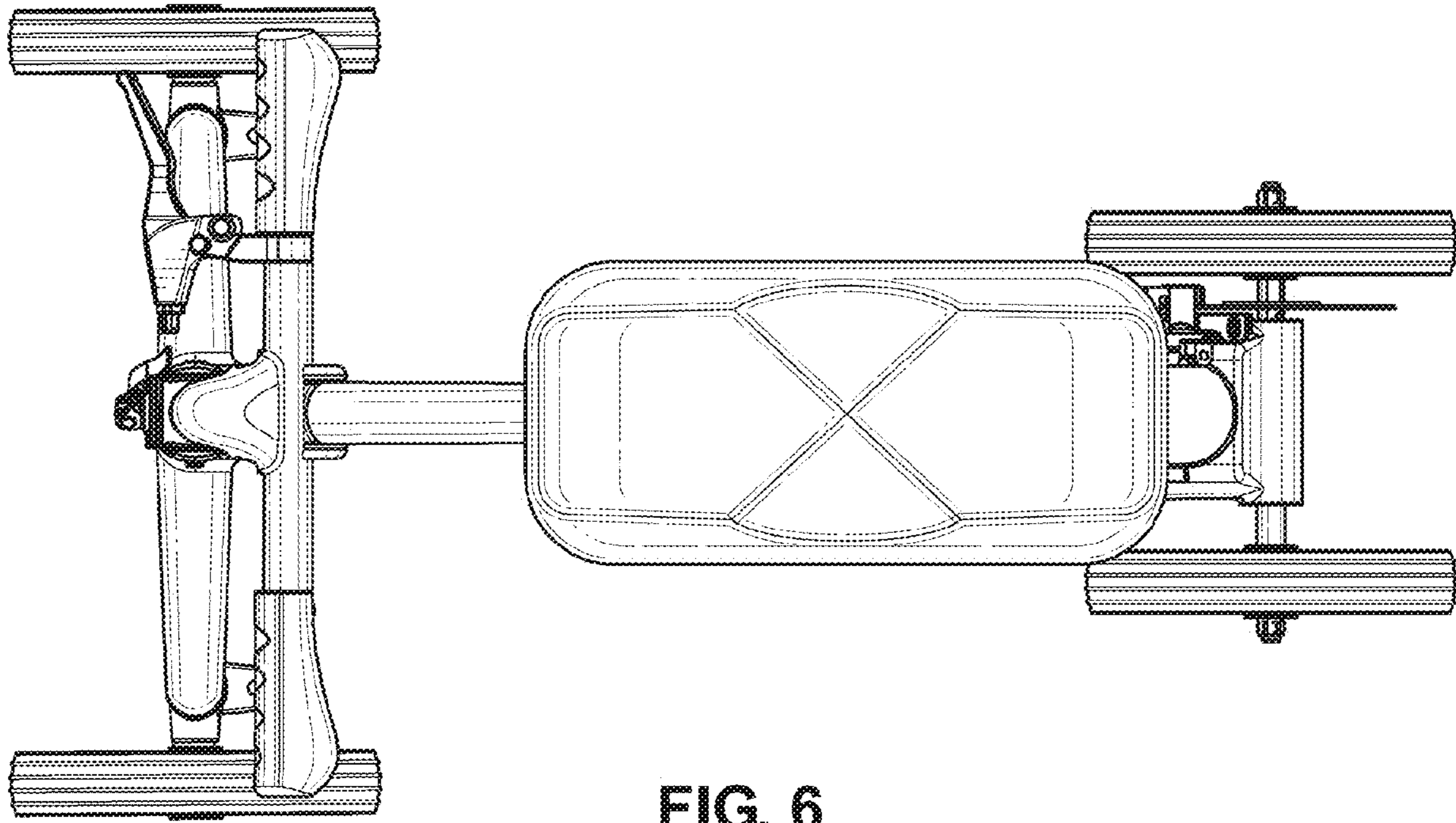


FIG. 6

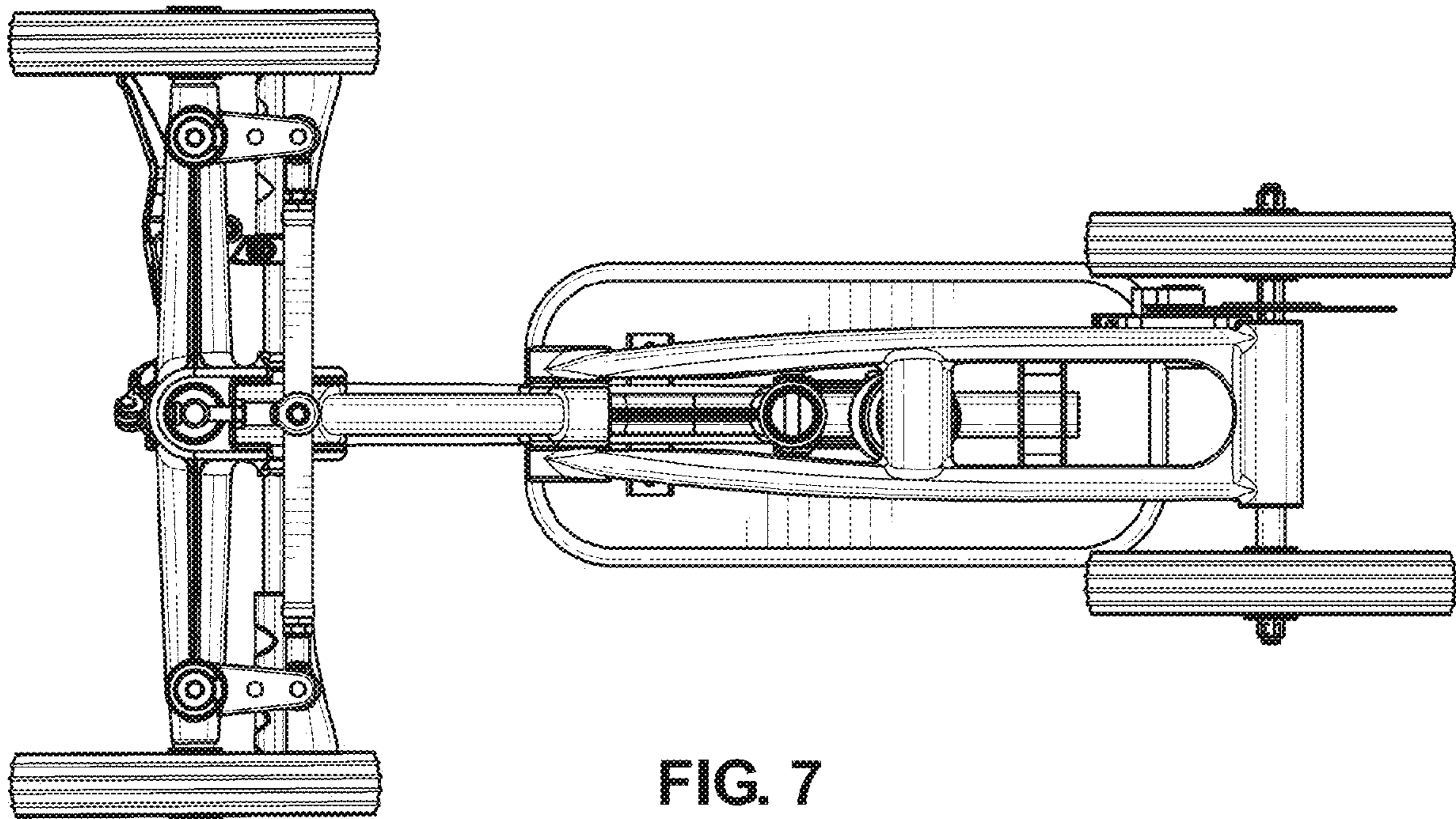


FIG. 7