



US00D891308S

(12) **United States Design Patent** (10) **Patent No.:** **US D891,308 S**
Jones (45) **Date of Patent:** **** Jul. 28, 2020**

(54) **MOTORCYCLE STEREO MOUNTING DEVICE**
(71) Applicant: **Metra Electronics Corporation**, Holly Hill, FL (US)
(72) Inventor: **William Jones**, Holly Hill, FL (US)
(73) Assignee: **Metra Electronics Corporation**, Holly Hill, FL (US)

(**) Term: **15 Years**

(21) Appl. No.: **29/691,075**

(22) Filed: **May 14, 2019**

(51) **LOC (12) Cl.** **12-11**

(52) **U.S. Cl.**
USPC **D12/114**

(58) **Field of Classification Search**
USPC D12/114, 110, 117, 126, 186, 182, 192, D12/402; D14/258, 157
CPC B62J 17/00; B62J 17/02; B62J 17/04
See application file for complete search history.

(56) **References Cited**

U.S. PATENT DOCUMENTS

D244,183 S *	5/1977	Gordon	D12/192
D249,784 S *	10/1978	Vetter	D12/182
D252,624 S *	8/1979	Vetter	D12/182
4,278,285 A *	7/1981	Cummings	B62J 17/00 296/78.1
D266,410 S *	10/1982	Hoese	D12/114
D273,779 S *	5/1984	Anderson	D12/182
D281,773 S *	12/1985	Hoese	D12/182
D284,181 S *	6/1986	Abe	D12/182
D474,998 S *	5/2003	Green	D12/114

D514,033 S *	1/2006	Jacklyn, II	D12/114
D578,941 S *	10/2008	Hanagan	D12/182
7,731,264 B1 *	6/2010	Jones	B60K 37/00 180/219
D624,860 S *	10/2010	Shimizugami	D12/182
D628,130 S *	11/2010	Miyanishi	D12/192
9,254,039 B1 *	2/2016	Huey	F16M 11/22
D763,752 S *	8/2016	Yasuhara	D12/182
D775,027 S *	12/2016	Chui	D12/182
D777,061 S *	1/2017	Lindloff	D12/114
D798,775 S *	10/2017	Chui	D12/114
D808,867 S *	1/2018	Chui	D12/114
D832,151 S *	10/2018	Sassenberg	D12/114
D836,039 S *	12/2018	Kay, II	D12/114

* cited by examiner

Primary Examiner — Michelle E. Wilson

Assistant Examiner — Clese Moore, Jr.

(74) *Attorney, Agent, or Firm* — J. Wiley Horton

(57) **CLAIM**

The ornamental design for an “motorcycle stereo mounting device,” as shown and described.

DESCRIPTION

FIG. 1 is a perspective view or an auto stereo mounting device, showing my design;

FIG. 2 is a rear perspective view of FIG. 1;

FIG. 3 is a front elevation view of FIG. 1;

FIG. 4 is a rear elevation view of FIG. 1;

FIG. 5 is a bottom plan view of FIG. 1;

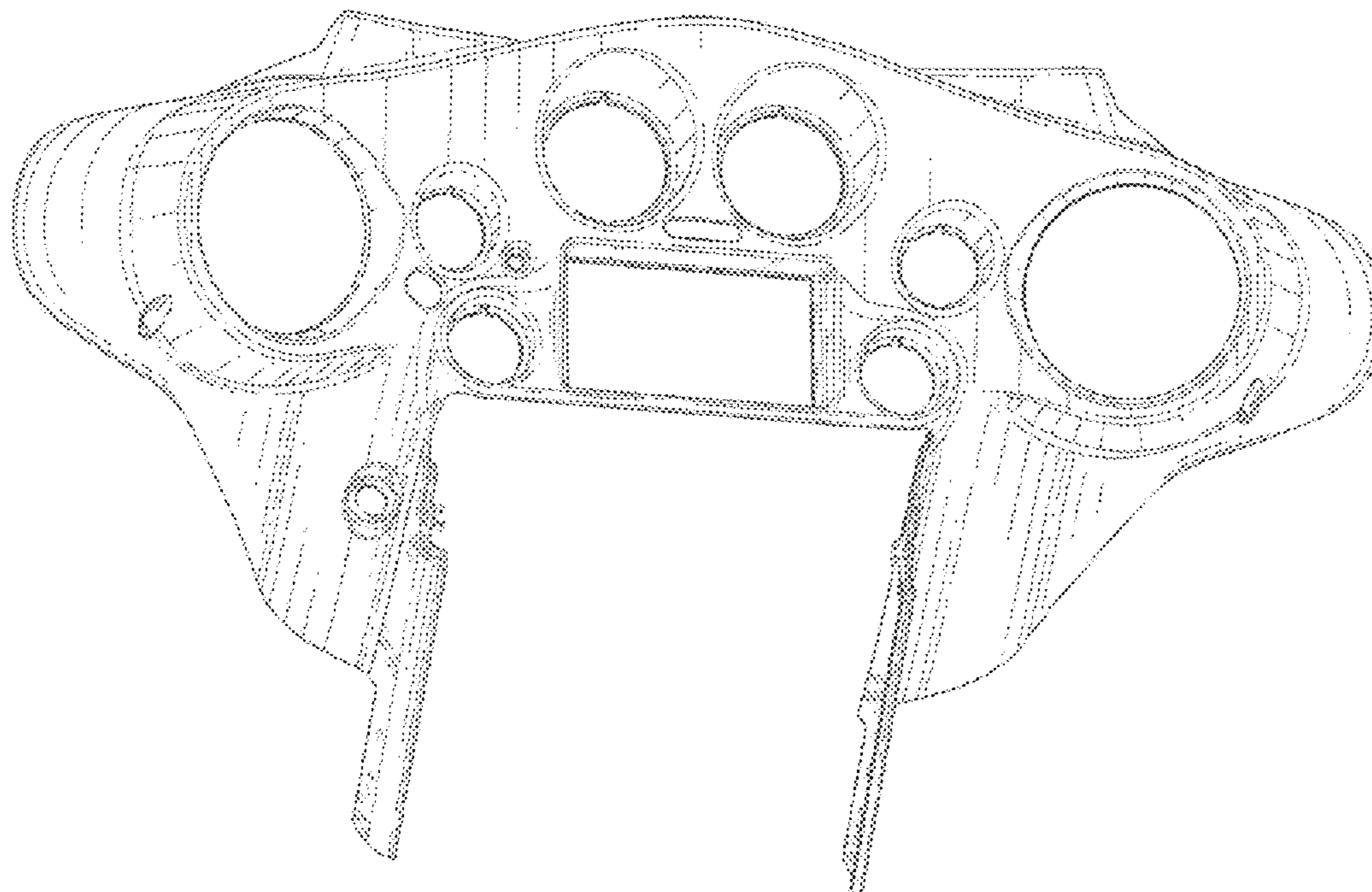
FIG. 6 is a top plan view of FIG. 1;

FIG. 7 is a right elevation view of FIG. 1; and,

FIG. 8 is a left elevation view of FIG. 1.

The broken lines shown in all views illustrate mounting features which form no part of the claimed design.

1 Claim, 7 Drawing Sheets



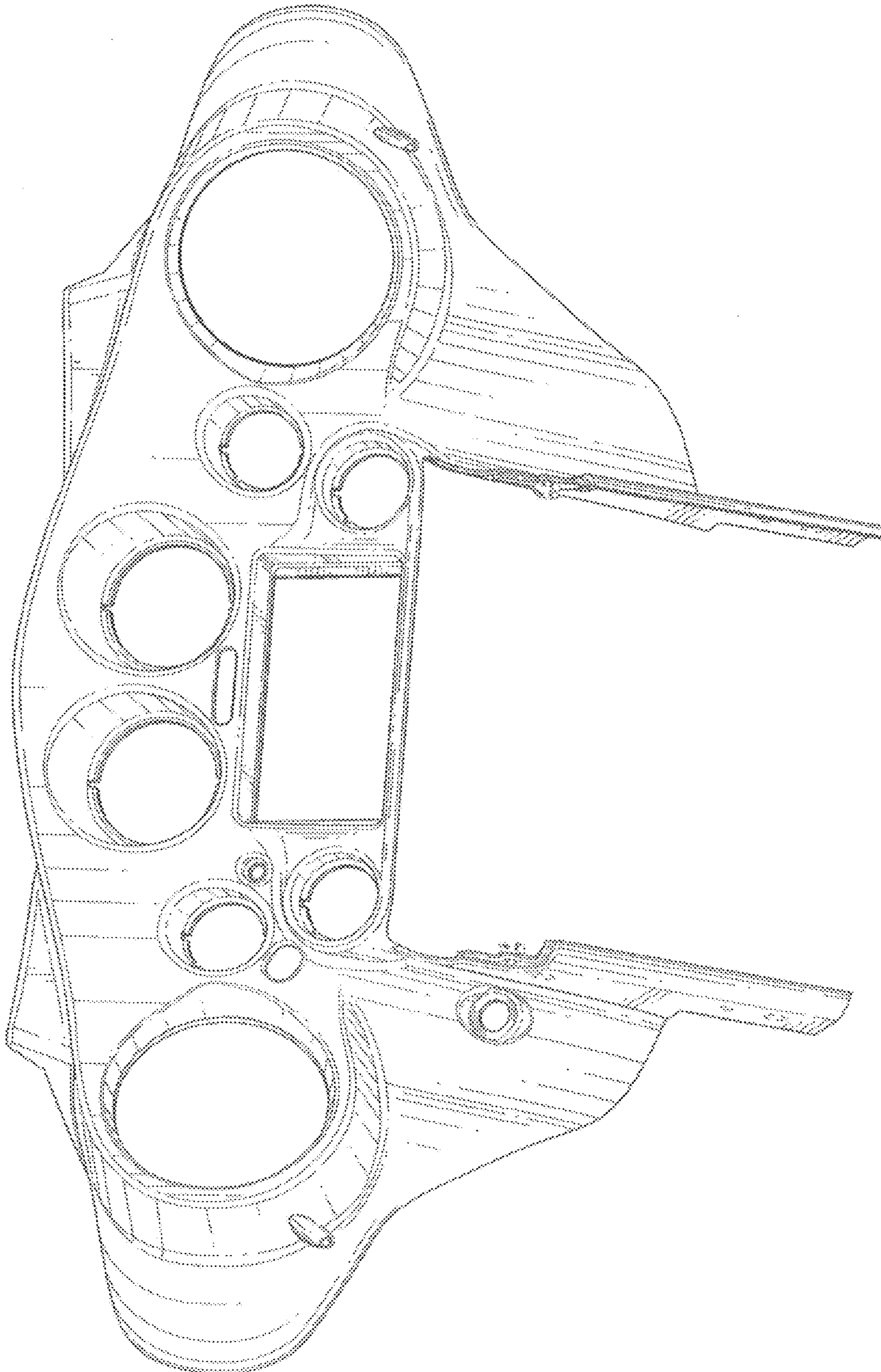


FIG. 1

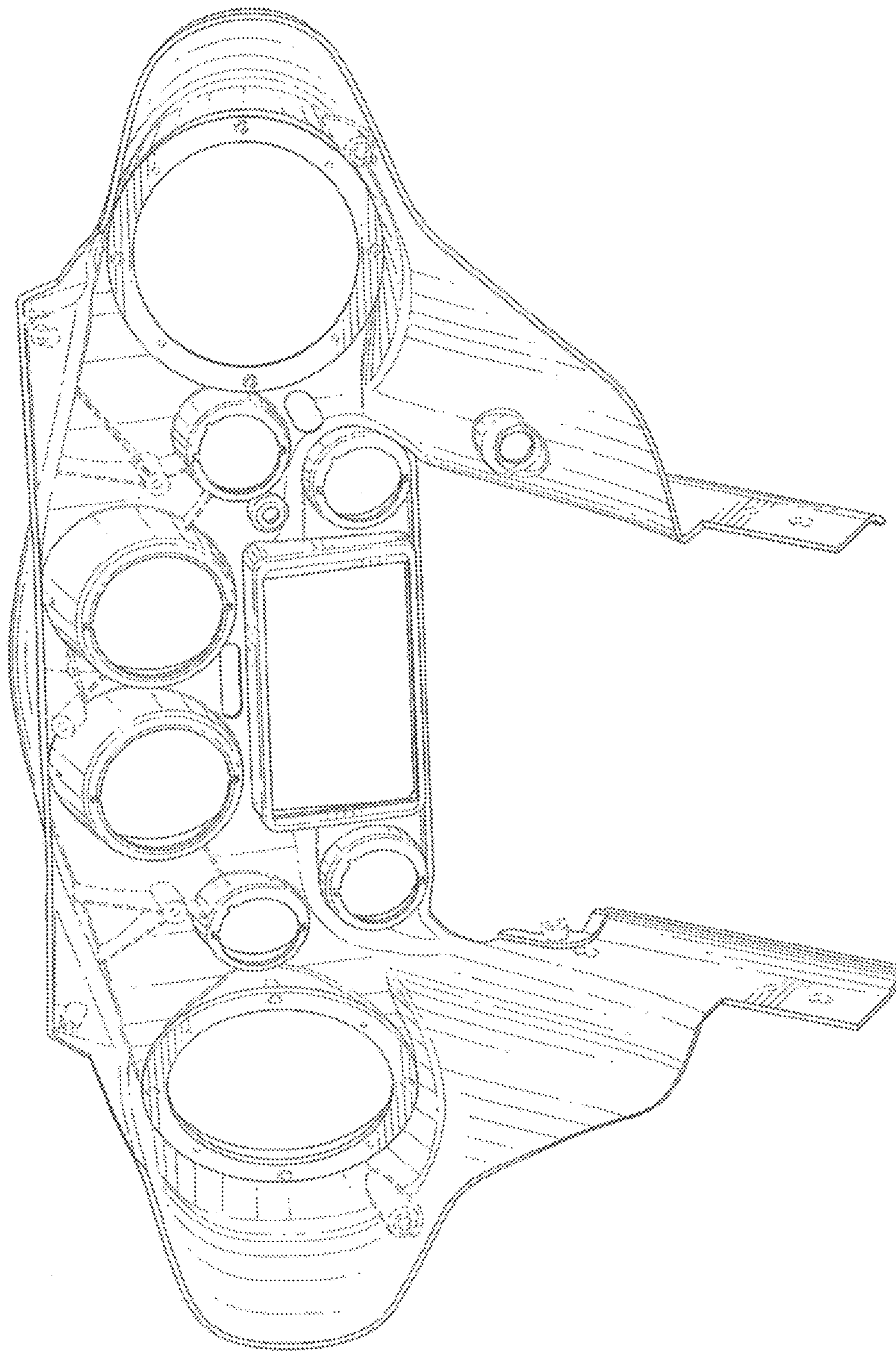


FIG. 2

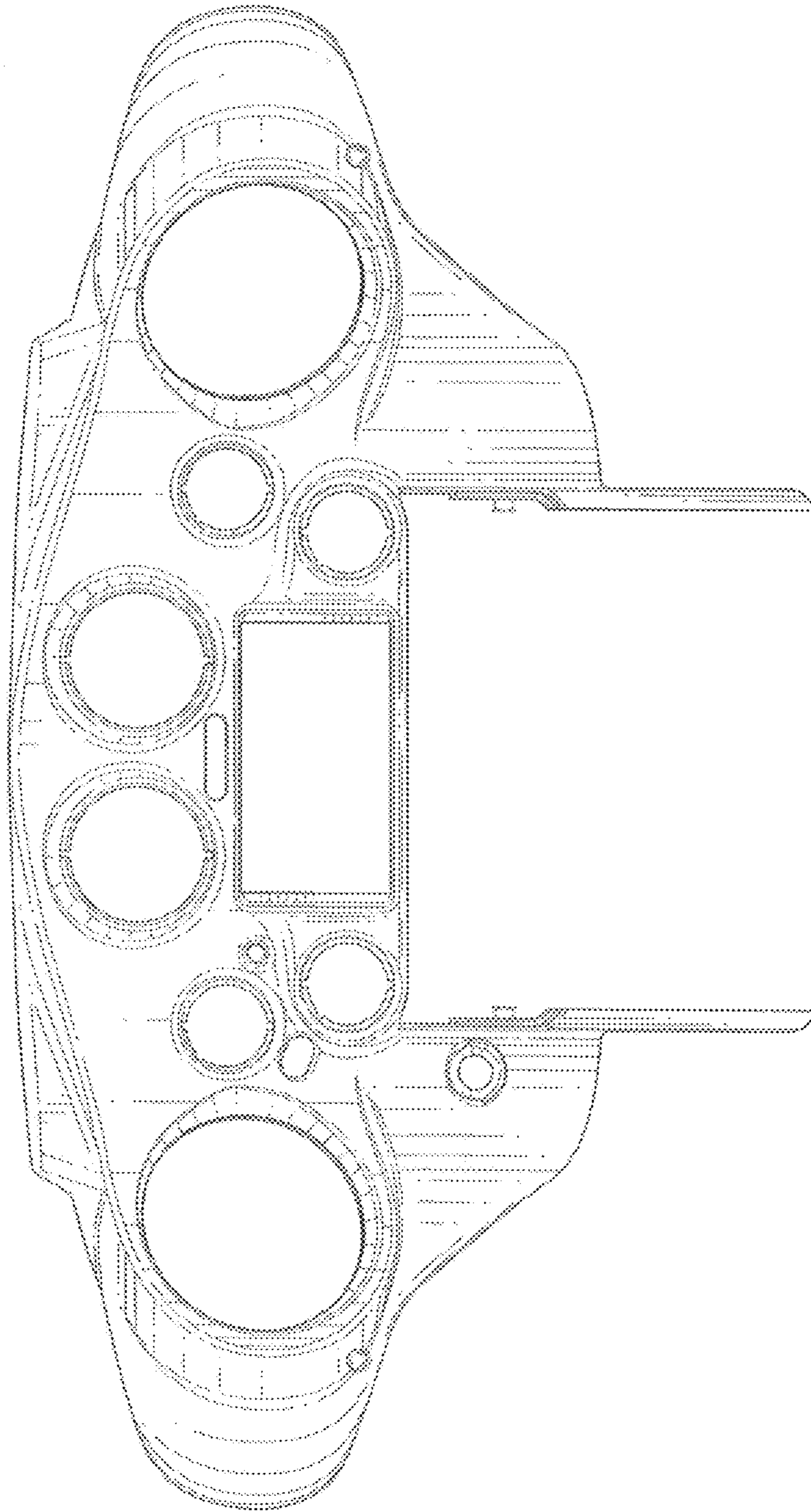


FIG. 3

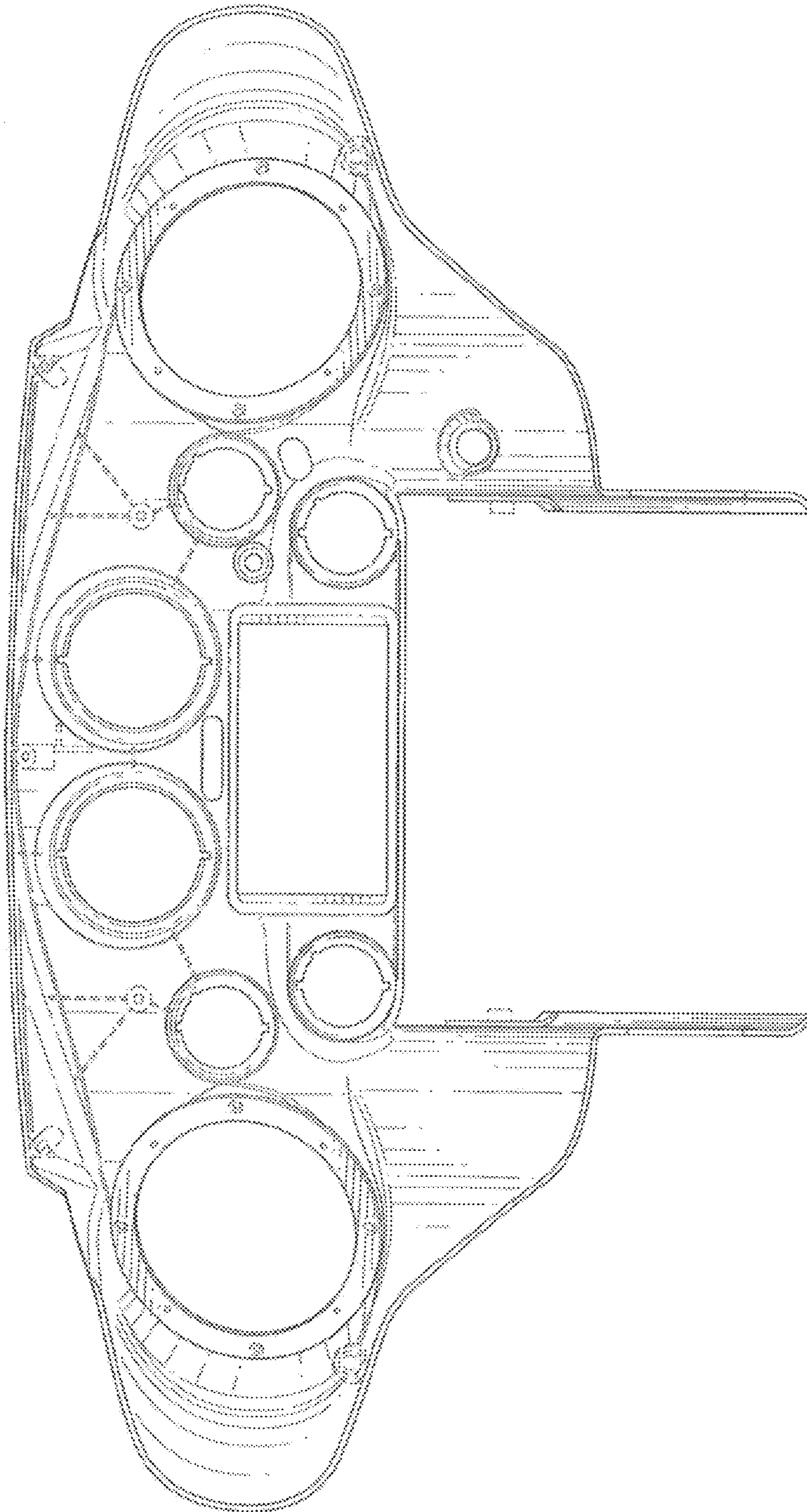


FIG. 4

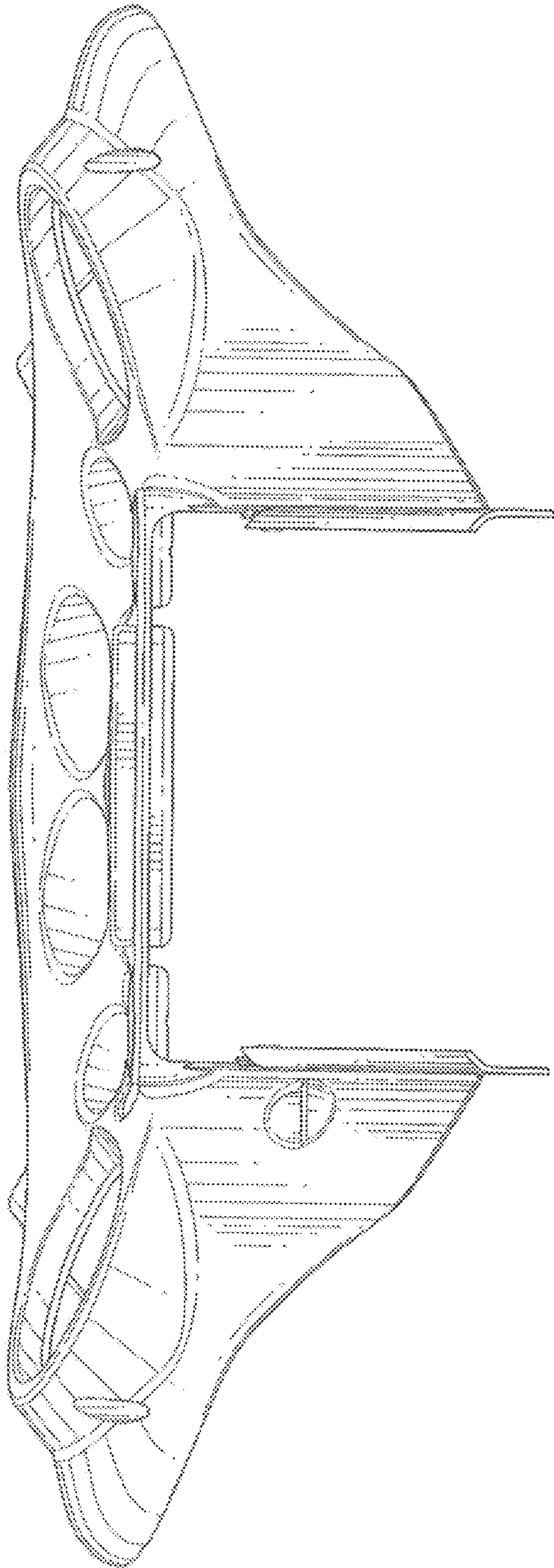


FIG. 5

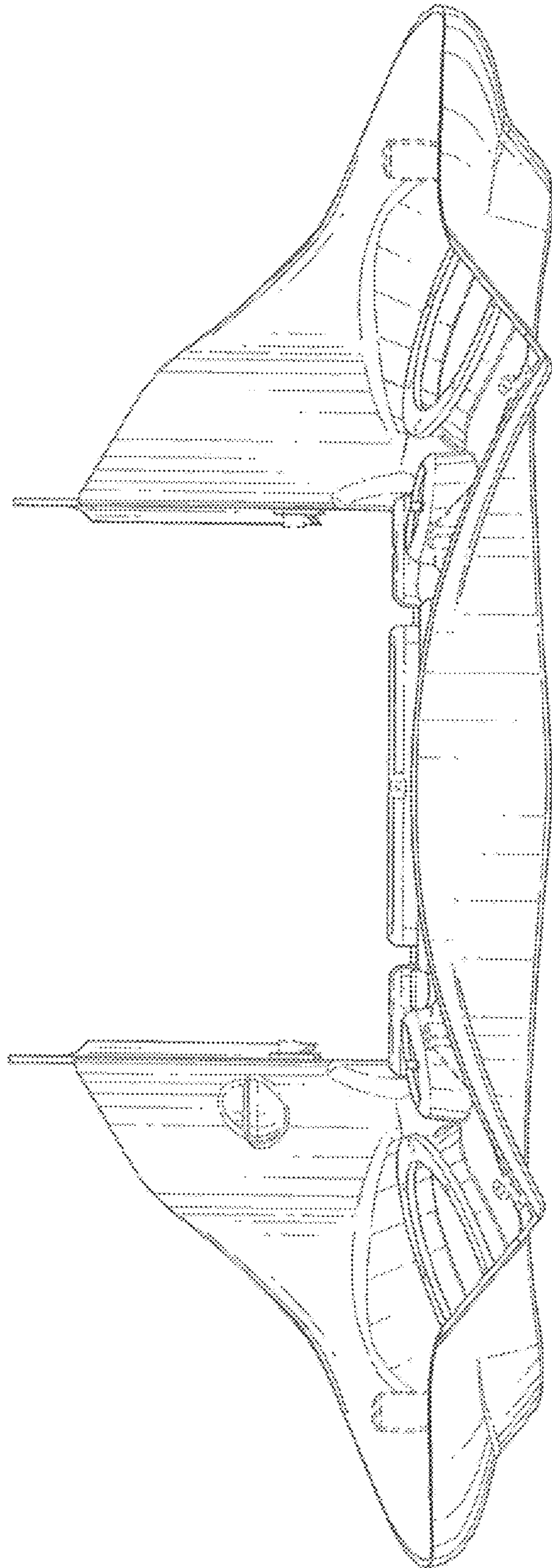


FIG. 6

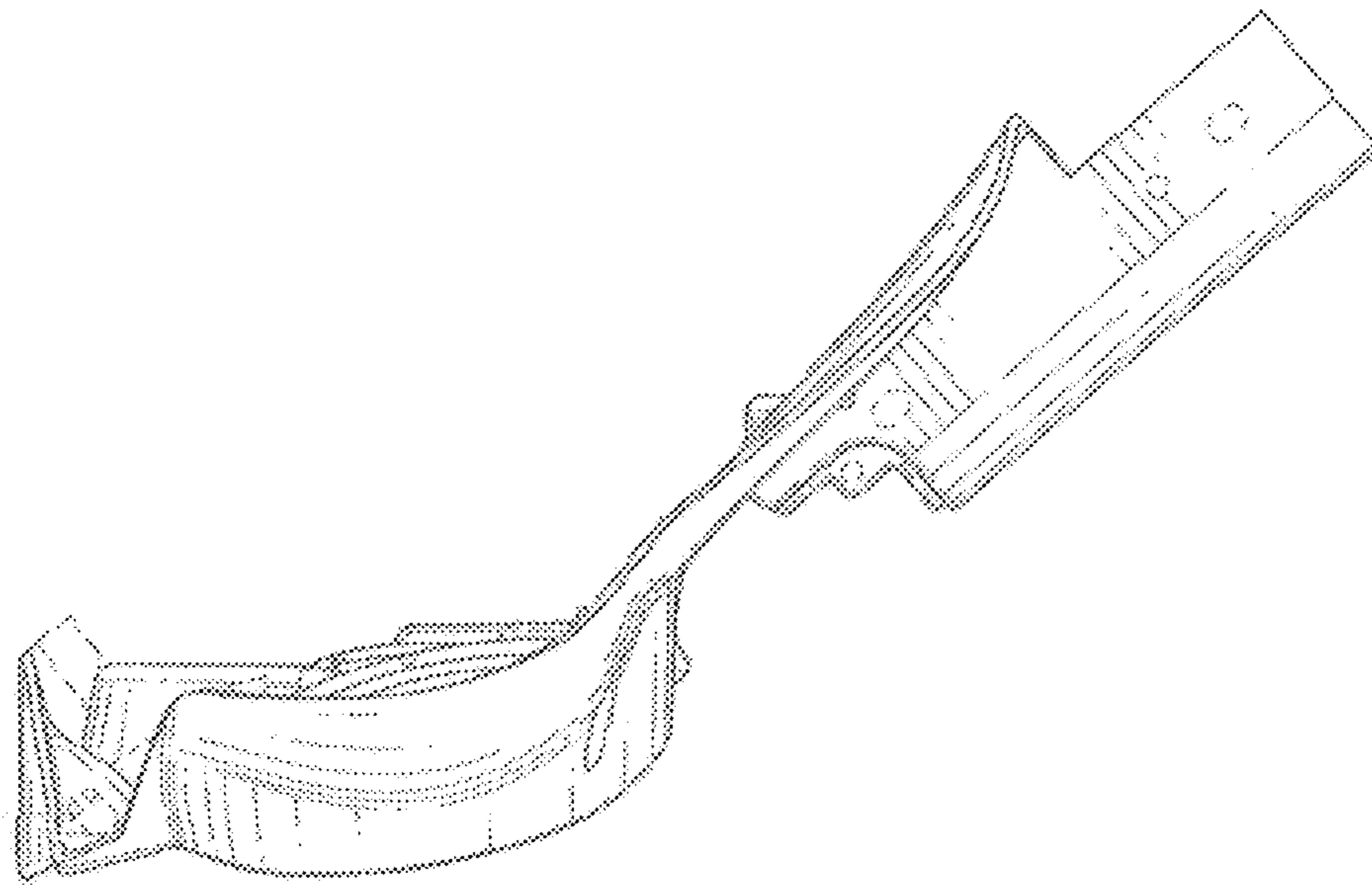


FIG. 8

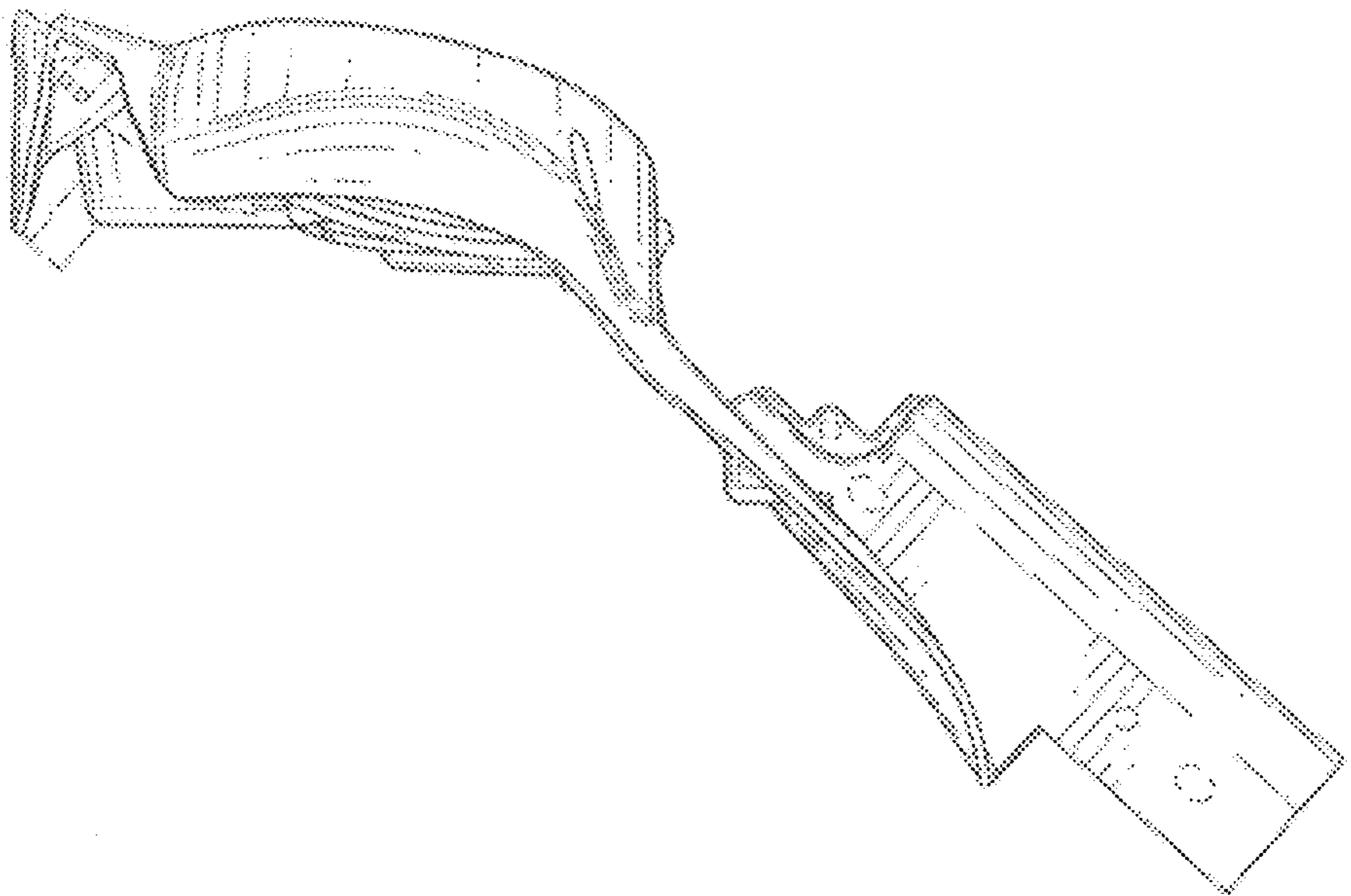


FIG. 7