



US00D891302S

(12) **United States Design Patent**  
**Borkert**

(10) **Patent No.:** **US D891,302 S**  
(45) **Date of Patent:** **\*\* Jul. 28, 2020**

(54) **CAR, TOY CAR REPLICA AND/OR OTHER REPLICA**

(71) Applicant: **AUTOMOBILI LAMBORGHINI S.P.A.**, Sant'Agata Bolognese (Bologna) (IT)

(72) Inventor: **Mitja Borkert**, Castelnuovo Rangone (IT)

(73) Assignee: **Automobili Lamborghini S.P.A.**, Sant'Agata Bolognese (IT)

(\*\*) Term: **15 Years**

(21) Appl. No.: **29/686,829**

(22) Filed: **Apr. 8, 2019**

(30) **Foreign Application Priority Data**

Dec. 19, 2018 (EM) ..... 005935731-0001

(51) **LOC (12) Cl.** ..... **12-08**

(52) **U.S. Cl.**  
USPC ..... **D12/88**

(58) **Field of Classification Search**  
USPC ..... D12/86, 90-92; D21/424, 433, 434;  
296/181.1-181.5, 183.1  
CPC ..... B62D 25/00; B62D 25/06; B62D 33/00;  
B62D 35/00  
See application file for complete search history.

(56) **References Cited**

**U.S. PATENT DOCUMENTS**

D769,152 S \* 10/2016 Perini ..... D12/88  
D774,416 S \* 12/2016 Perini ..... D12/88

D781,749 S \* 3/2017 Perini ..... D12/88  
D788,642 S \* 6/2017 Manzoni ..... D12/88  
D790,398 S \* 6/2017 Perini ..... D12/88  
D790,399 S \* 6/2017 Perini ..... D12/88  
D790,402 S \* 6/2017 Perini ..... D12/88  
D791,019 S \* 7/2017 Perini ..... D12/88  
D820,165 S \* 6/2018 Borkert ..... D12/92  
D820,166 S \* 6/2018 Borkert ..... D12/92  
D821,267 S \* 6/2018 Borkert ..... D12/92  
D833,912 S \* 11/2018 Manzoni ..... D12/88  
D869,336 S \* 12/2019 Borkert ..... D12/88  
D870,823 S \* 12/2019 Manzoni ..... D21/548  
D873,176 S \* 1/2020 Borkert ..... D12/88

\* cited by examiner

*Primary Examiner* — Melody N Brown

(74) *Attorney, Agent, or Firm* — Shuttleworth & Ingersoll, PLC; Timothy Klima

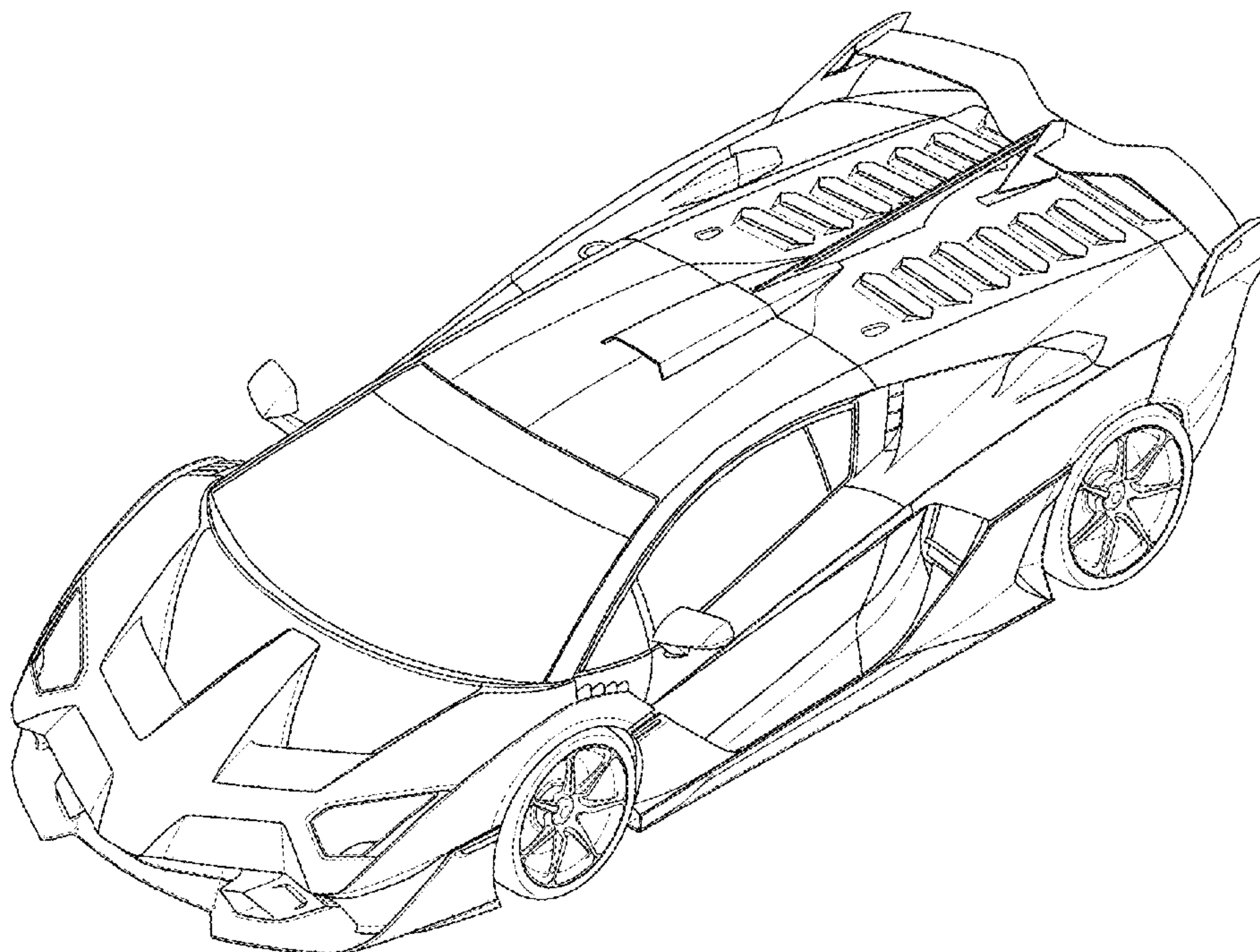
(57) **CLAIM**

The ornamental design for a car, toy car replica and/or other replica, as shown and described.

**DESCRIPTION**

FIG. 1 is a top, front and left side perspective view of a car, toy car replica and/or other replica showing my new design; FIG. 2 is a top, front and right side perspective view thereof; FIG. 3 is a top view thereof; FIG. 4 is a right side view thereof; FIG. 5 is a left side view thereof; FIG. 6 is a front view thereof; FIG. 7 is a rear view thereof; and, FIG. 8 is a bottom view thereof.

**1 Claim, 8 Drawing Sheets**



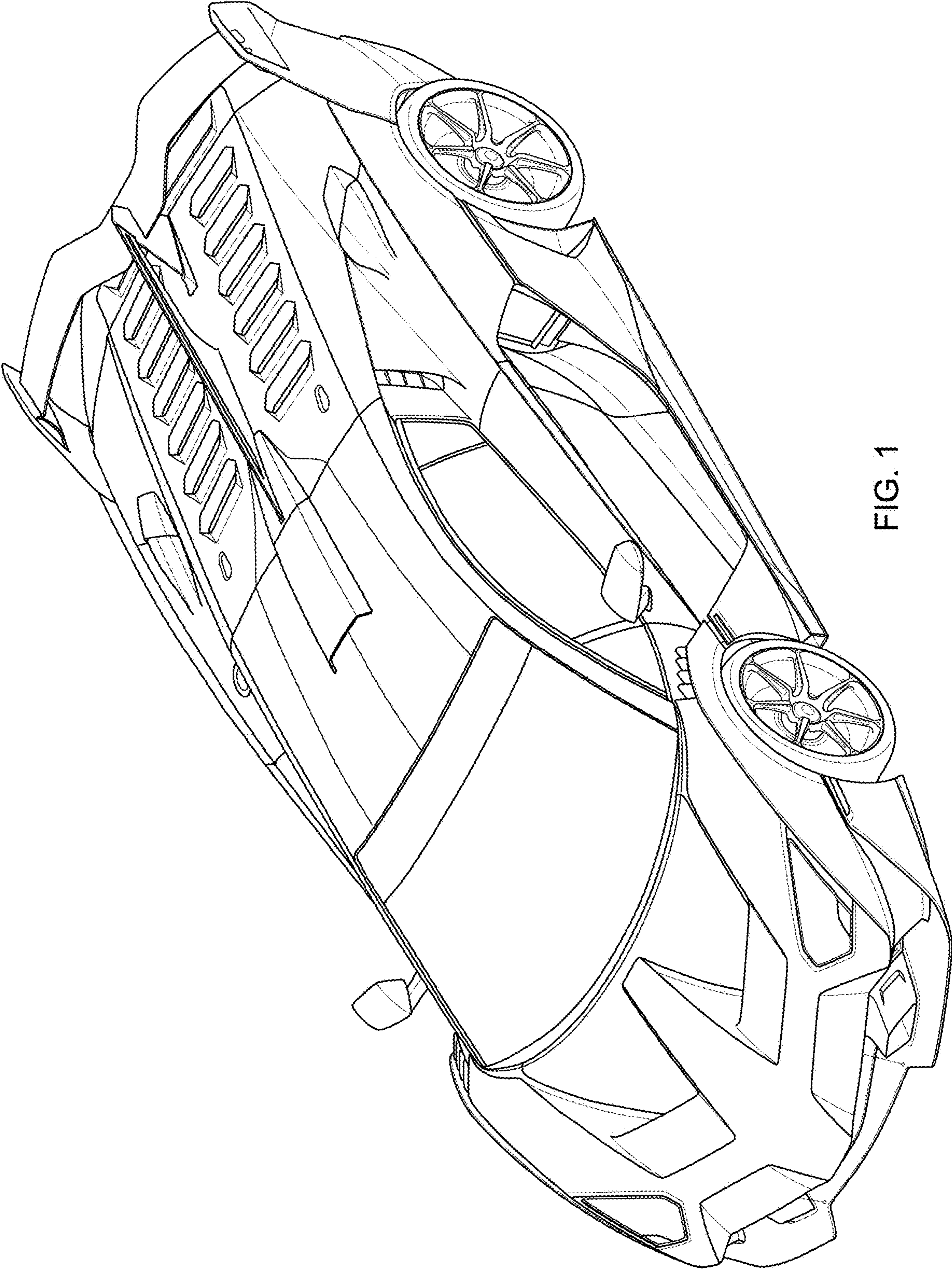


FIG. 1



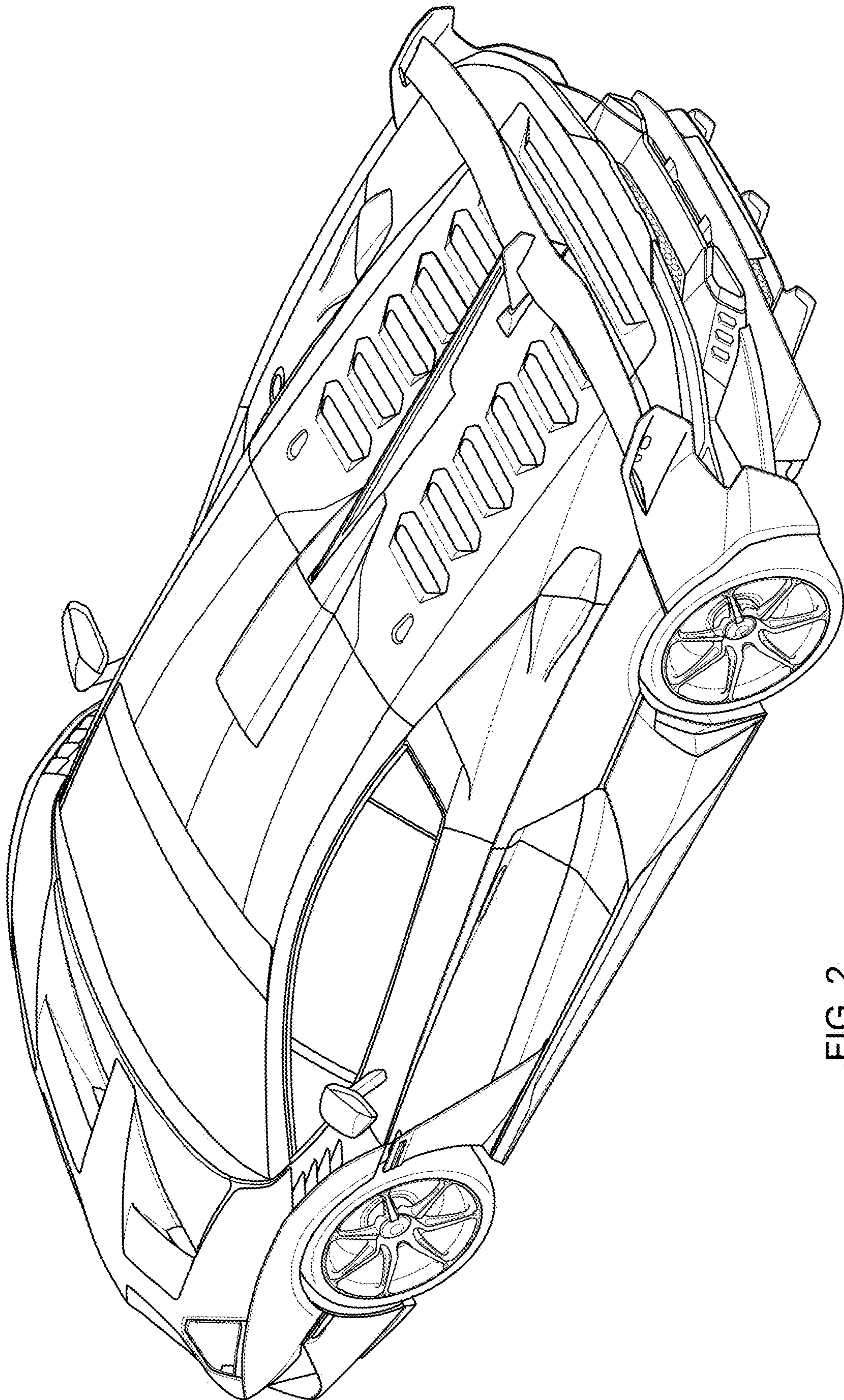


FIG. 2

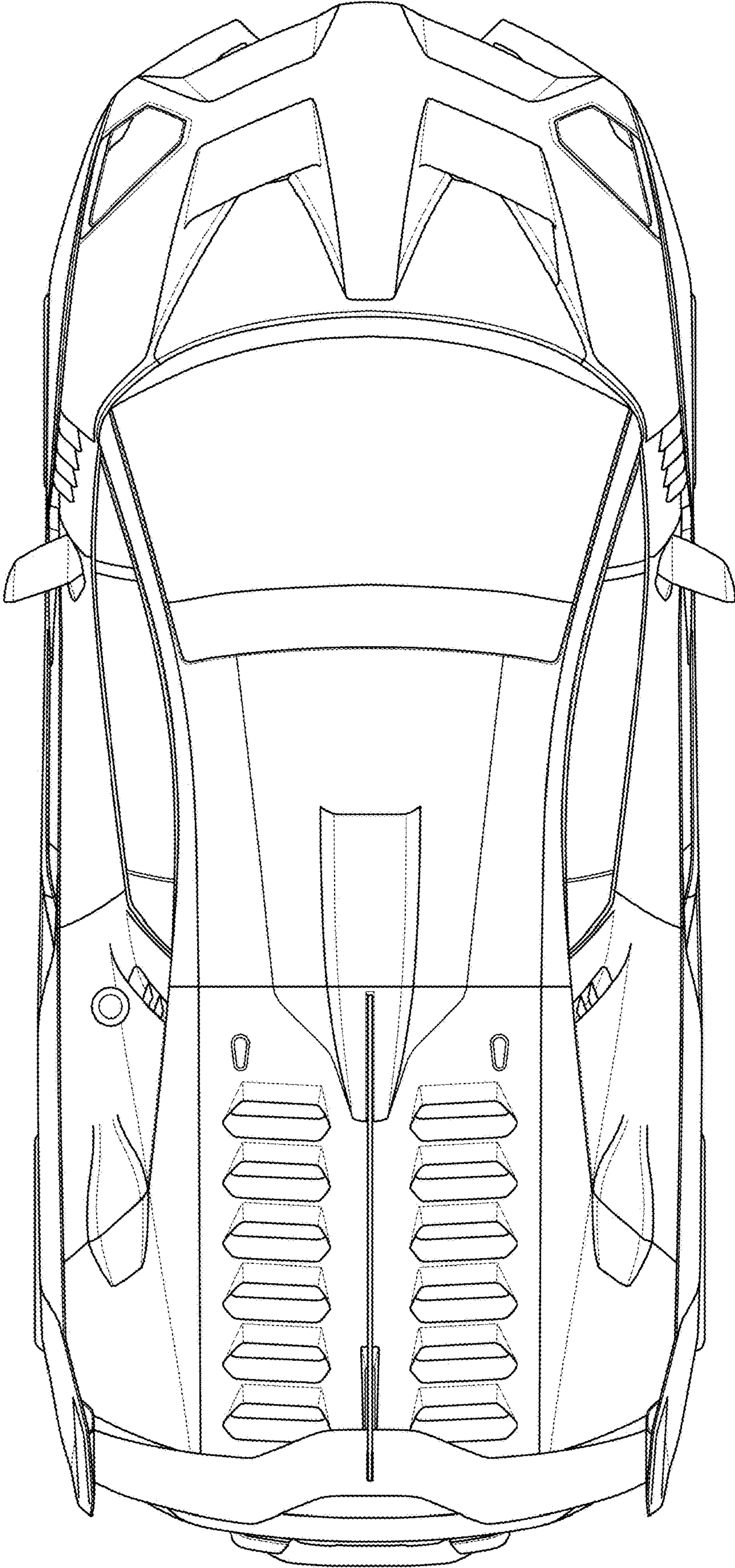


FIG. 3



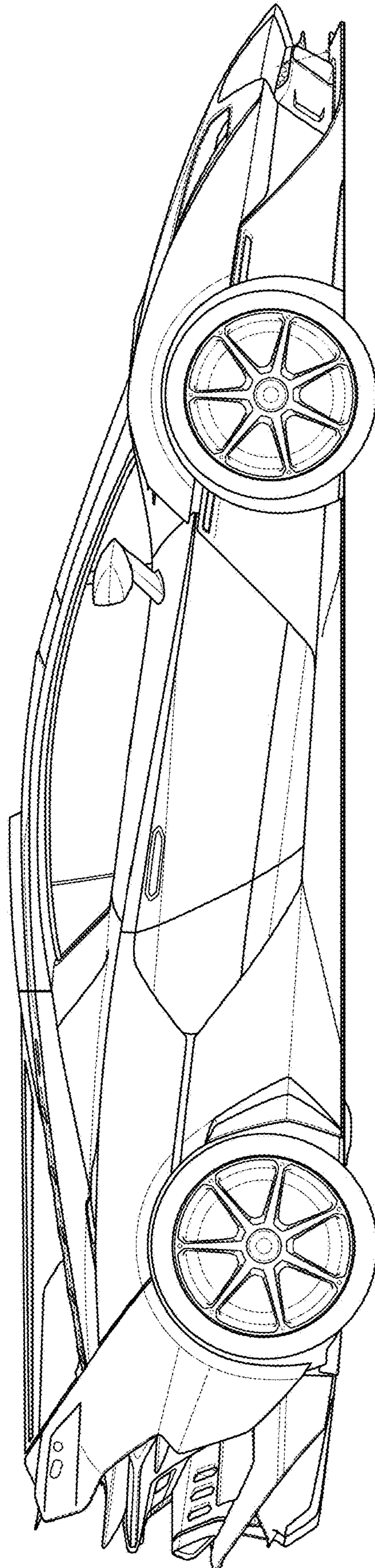


FIG. 4

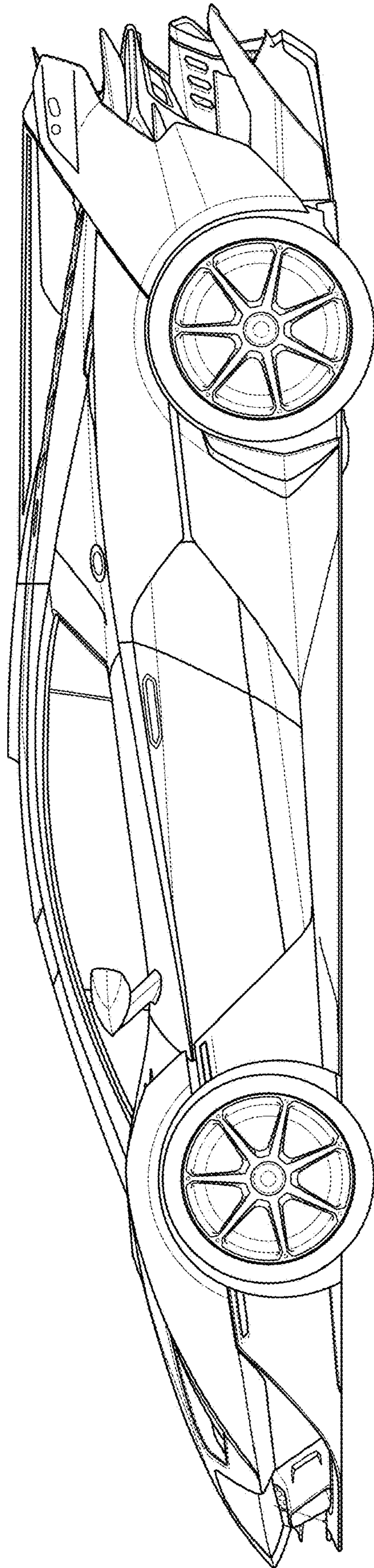


FIG. 5

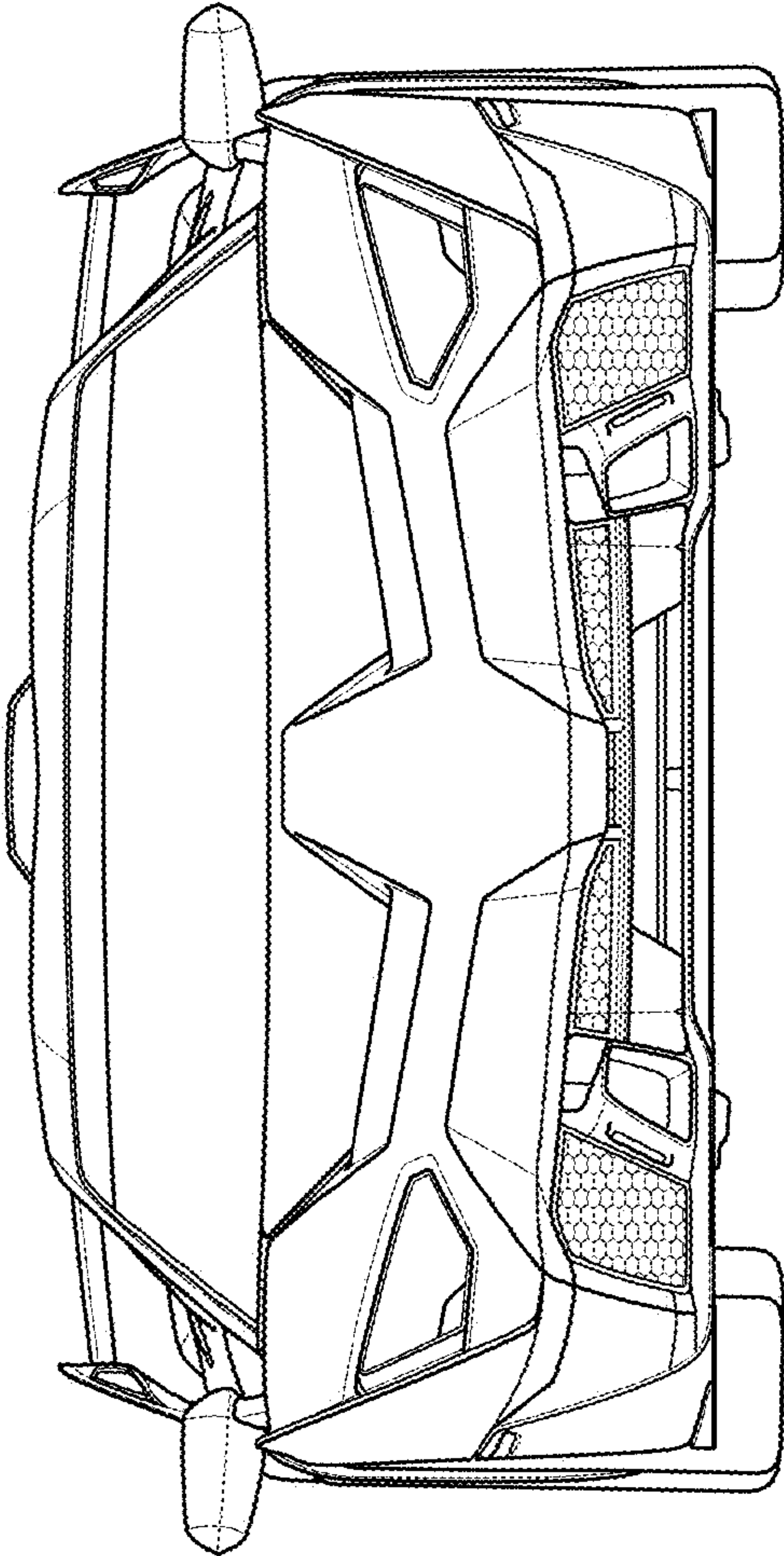


FIG. 6

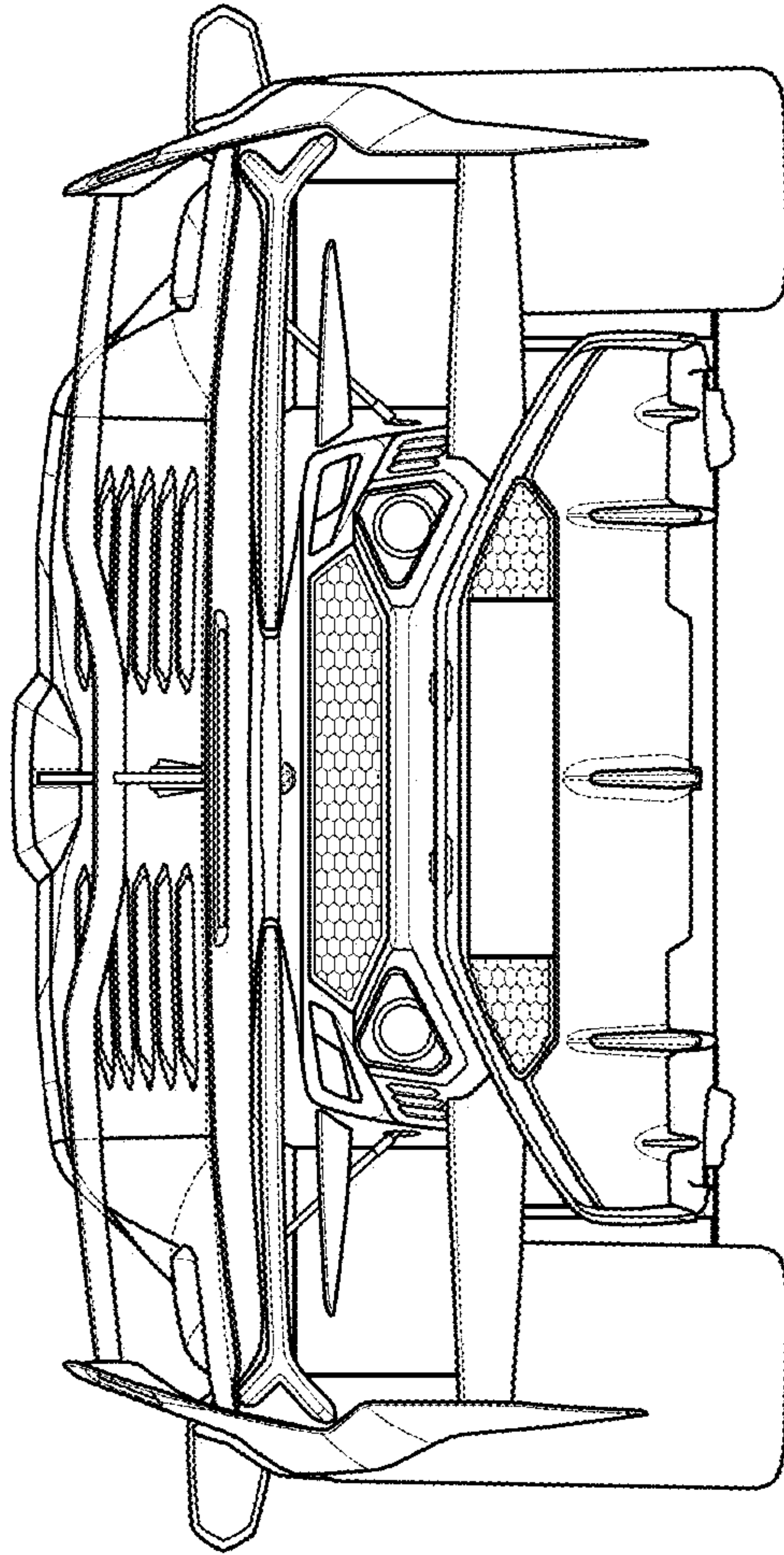


FIG. 7



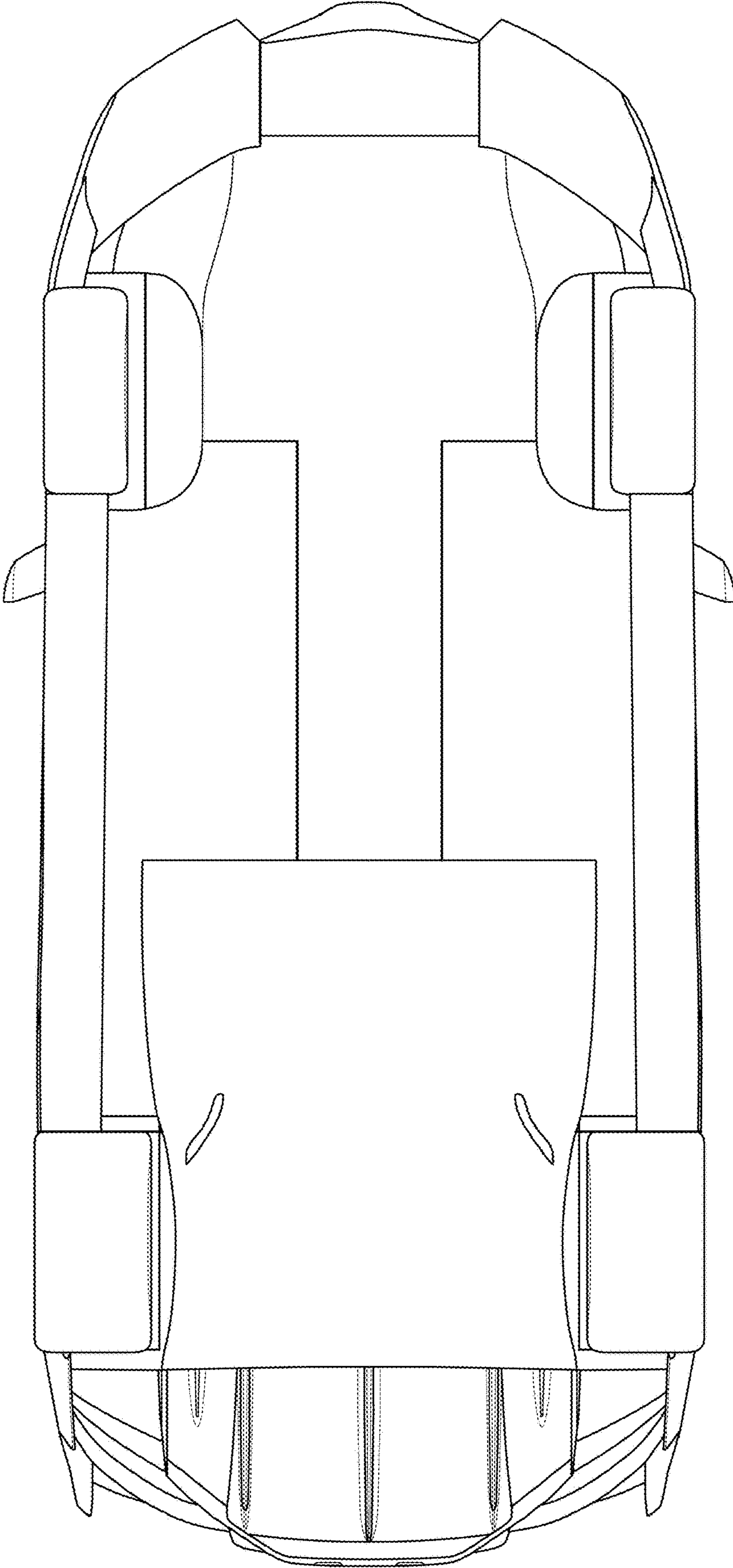


FIG.8