



US00D891301S

(12) **United States Design Patent**
Borkert

(10) **Patent No.:** **US D891,301 S**
(45) **Date of Patent:** **** Jul. 28, 2020**

- (54) **CAR BODY, TOY CAR BODY REPLICA AND/OR OTHER REPLICA**
- (71) Applicant: **AUTOMOBILI LAMBORGHINI S.P.A.**, Sant'Agata Bolognese (Bologna) (IT)
- (72) Inventor: **Mitja Borkert**, Castelnuovo Rangone (IT)

| | | | | |
|--------------|---------|---------|-------|---------|
| D790,398 S * | 6/2017 | Perini | | D12/88 |
| D790,399 S * | 6/2017 | Perini | | D12/88 |
| D790,402 S * | 6/2017 | Perini | | D12/88 |
| D791,019 S * | 7/2017 | Perini | | D12/88 |
| D820,165 S * | 6/2018 | Borkert | | D12/92 |
| D820,166 S * | 6/2018 | Borkert | | D12/92 |
| D821,267 S * | 6/2018 | Borkert | | D12/92 |
| D833,912 S * | 11/2018 | Manzoni | | D12/88 |
| D869,336 S * | 12/2019 | Borkert | | D12/88 |
| D870,823 S * | 12/2019 | Manzoni | | D21/548 |
| D873,176 S * | 1/2020 | Borkert | | D12/88 |

(73) Assignee: **Automobili Lamborghini S.P.A.**, Sant'Agata Bolognese (IT)

* cited by examiner

(**) Term: **15 Years**

Primary Examiner — Melody N Brown

(21) Appl. No.: **29/682,067**

(74) *Attorney, Agent, or Firm* — Shuttleworth & Ingersoll, PLC; Timothy Klima

(22) Filed: **Mar. 1, 2019**

(51) **LOC (12) Cl.** **12-08**

(52) **U.S. Cl.**
USPC **D12/88**

(58) **Field of Classification Search**
USPC D12/86, 90-92; D21/424, 433, 434;
296/181.1-181.5, 183.1
CPC B62D 25/00; B62D 25/06; B62D 33/00;
B62D 35/00
See application file for complete search history.

(57) **CLAIM**

The ornamental design for a car body, toy car body replica and/or other replica, as shown and described.

DESCRIPTION

FIG. 1 is a top, front and left side perspective view of a car body, toy car body replica and/or other replica showing my new design;
FIG. 2 is a top, front and right side perspective view thereof;
FIG. 3 is a top view thereof;
FIG. 4 is a left side view thereof;
FIG. 5 is a front view thereof;
FIG. 6 is a rear view thereof;
FIG. 7 is a right side view thereof; and,
FIG. 8 is a bottom view thereof.

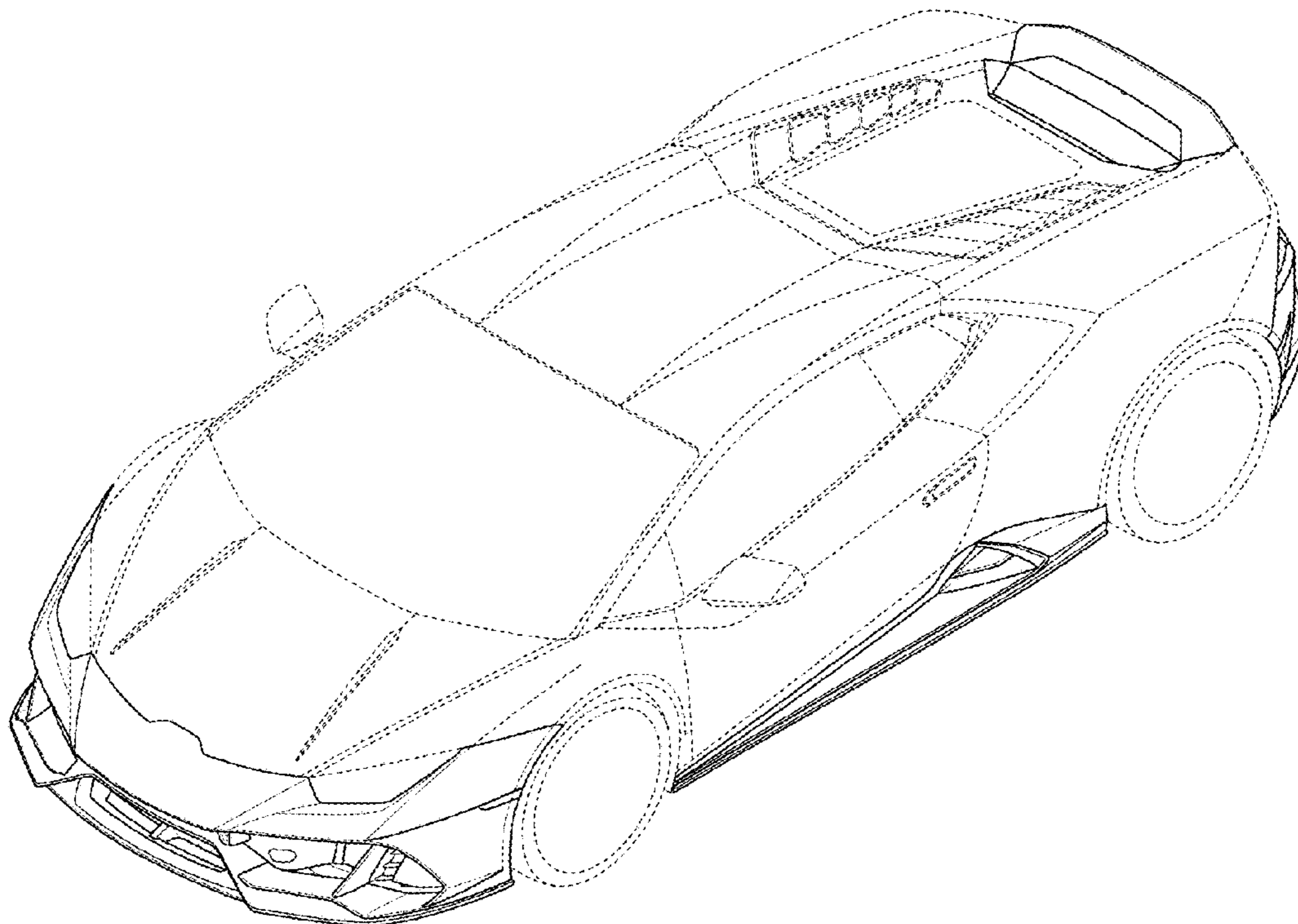
The broken lines in the figures illustrate portions of the car that form no part of the claimed design.

(56) **References Cited**

U.S. PATENT DOCUMENTS

| | | | | |
|--------------|---------|---------|-------|--------|
| D769,152 S * | 10/2016 | Perini | | D12/88 |
| D774,416 S * | 12/2016 | Perini | | D12/88 |
| D781,749 S * | 3/2017 | Perini | | D12/88 |
| D788,642 S * | 6/2017 | Manzoni | | D12/88 |

1 Claim, 8 Drawing Sheets



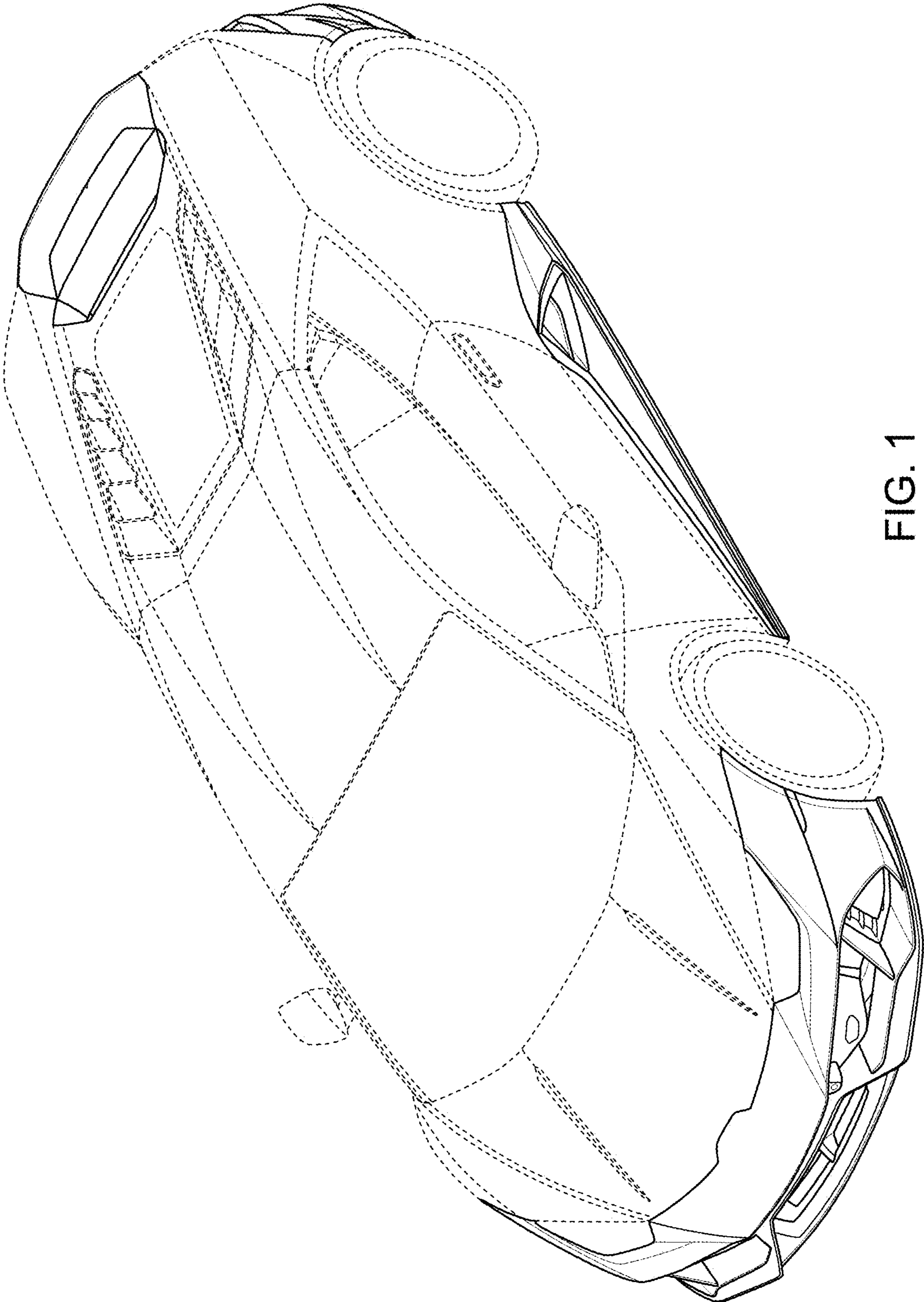


FIG. 1

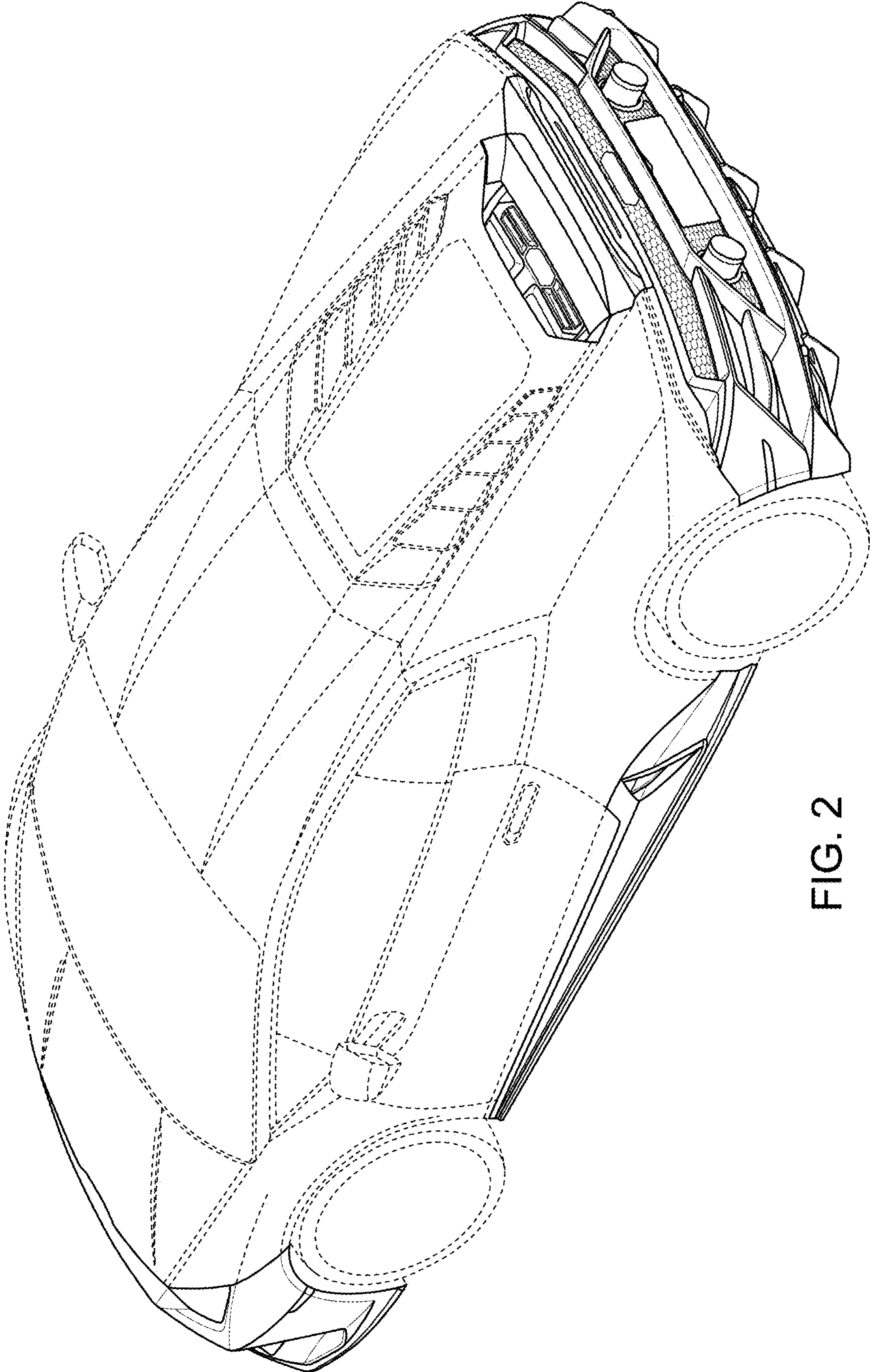


FIG. 2

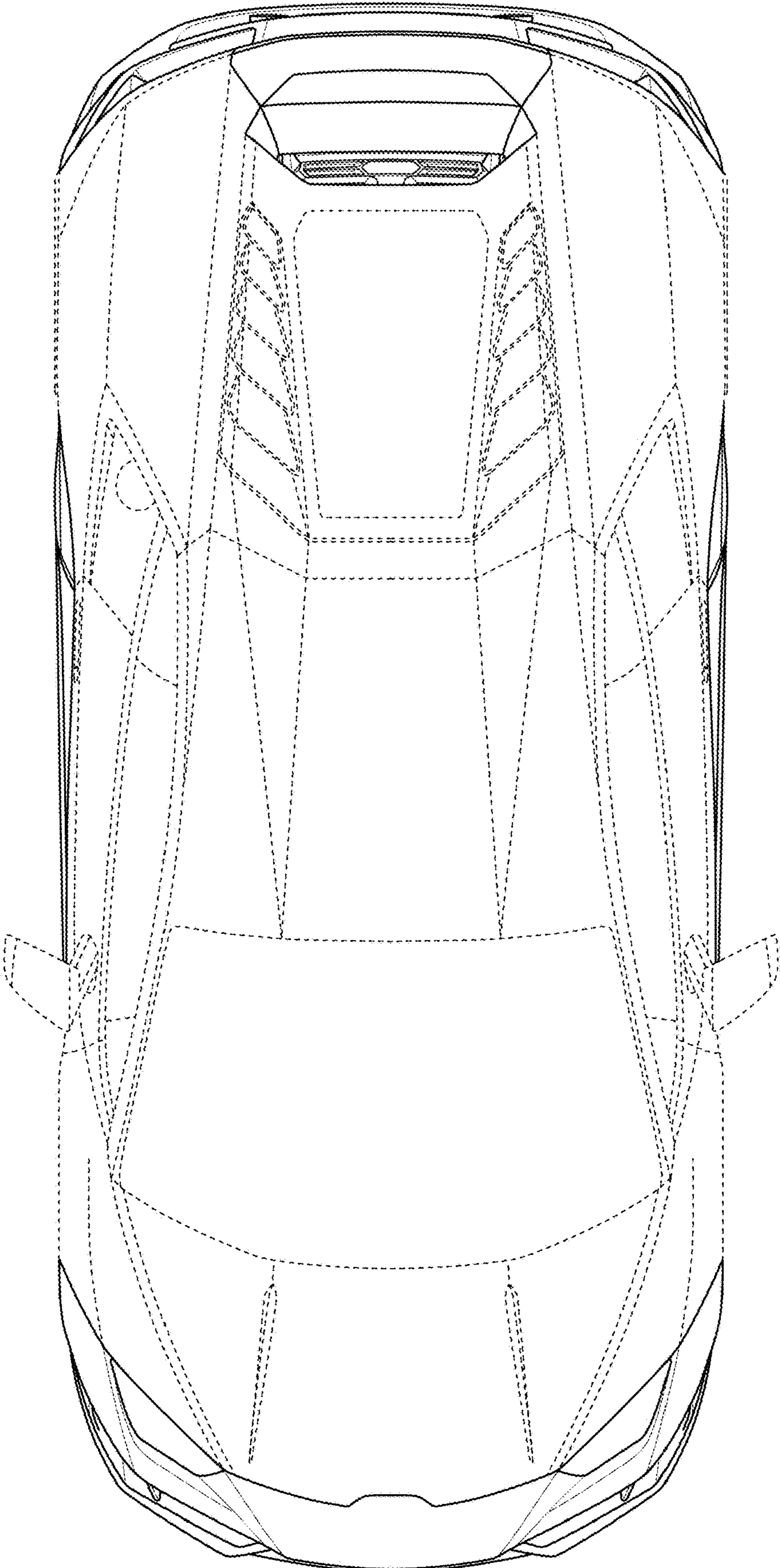


FIG. 3

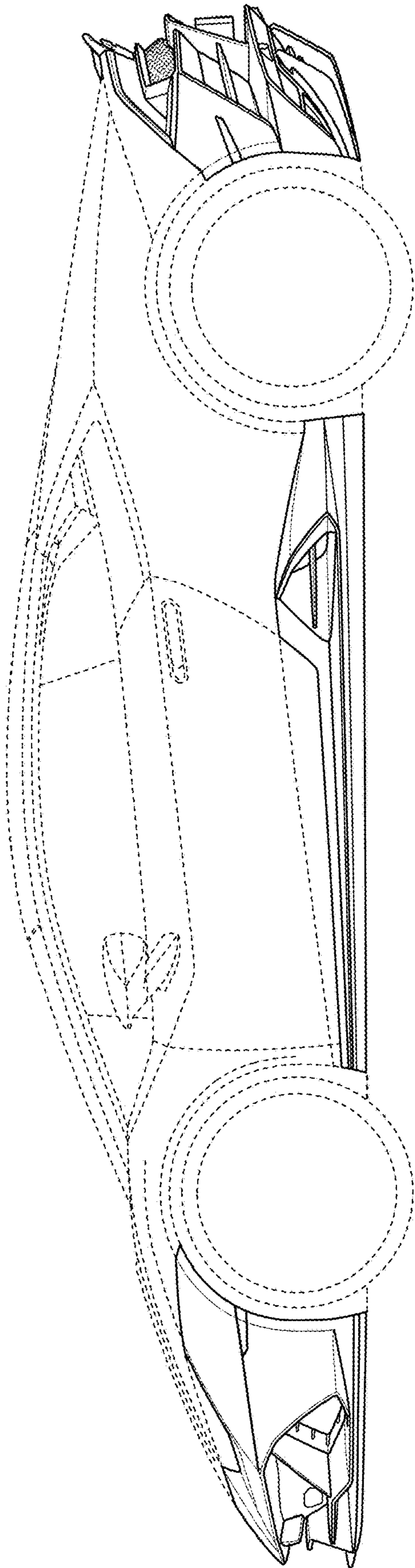


FIG. 4

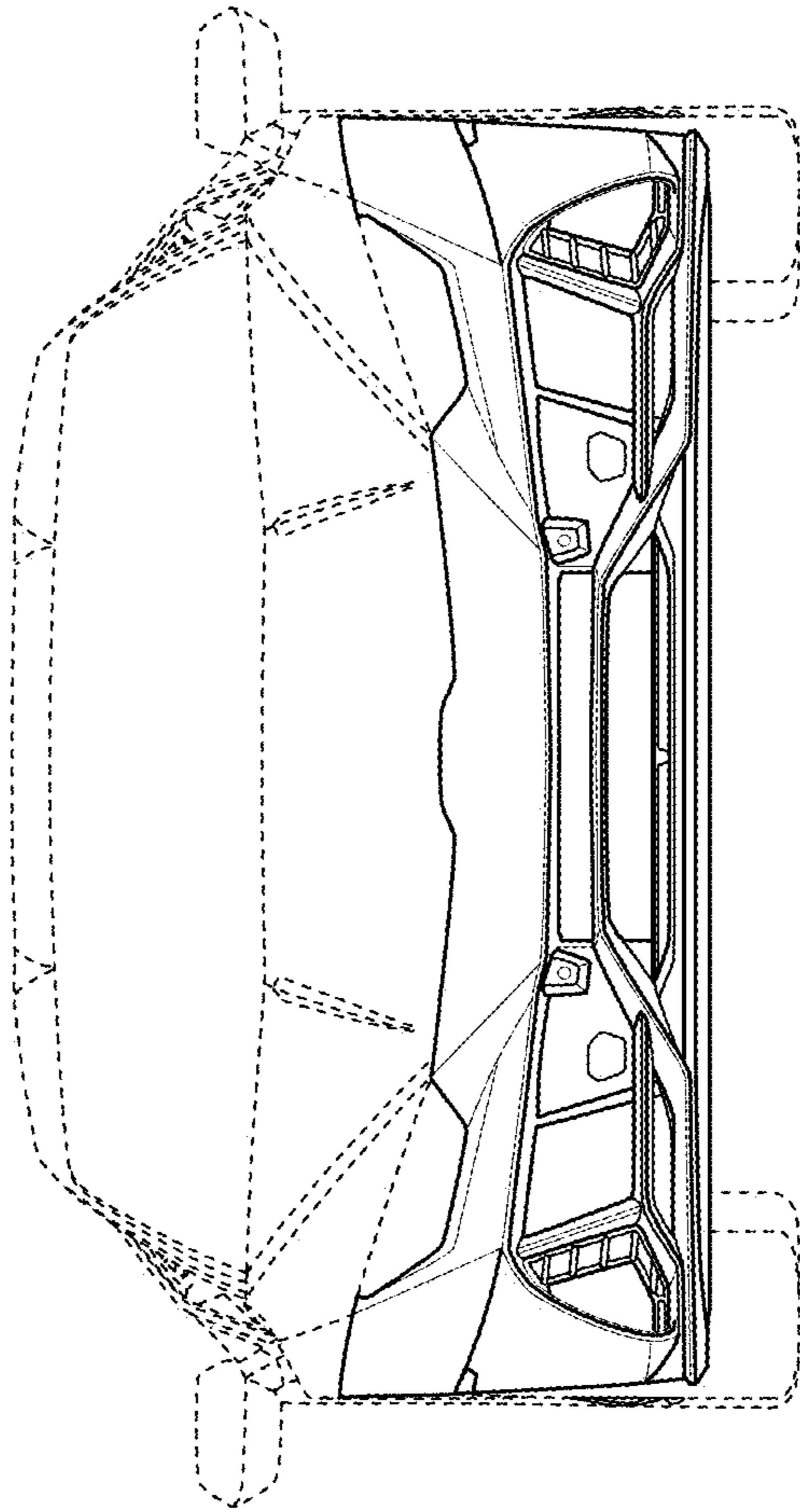


FIG. 5

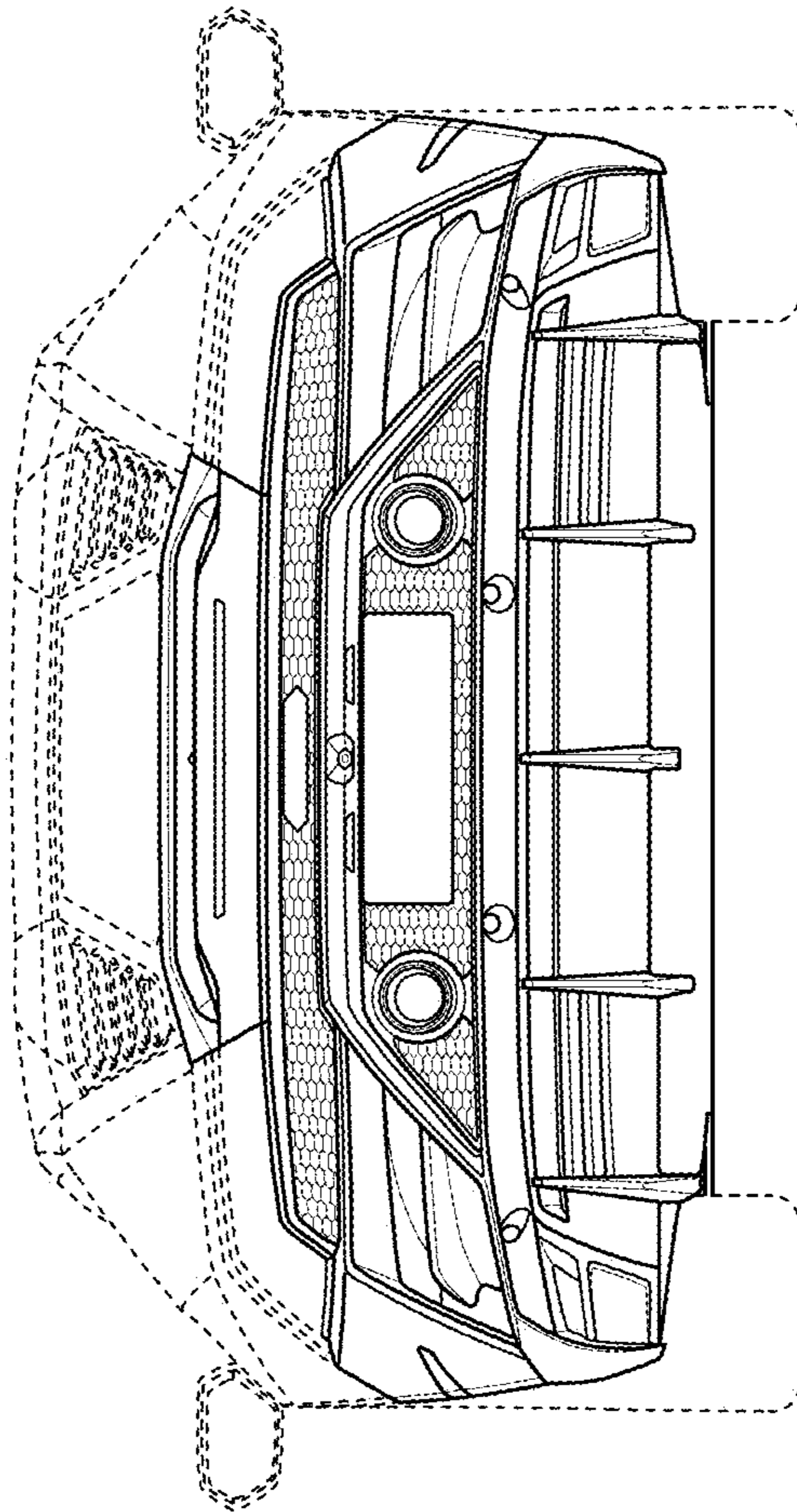


FIG. 6

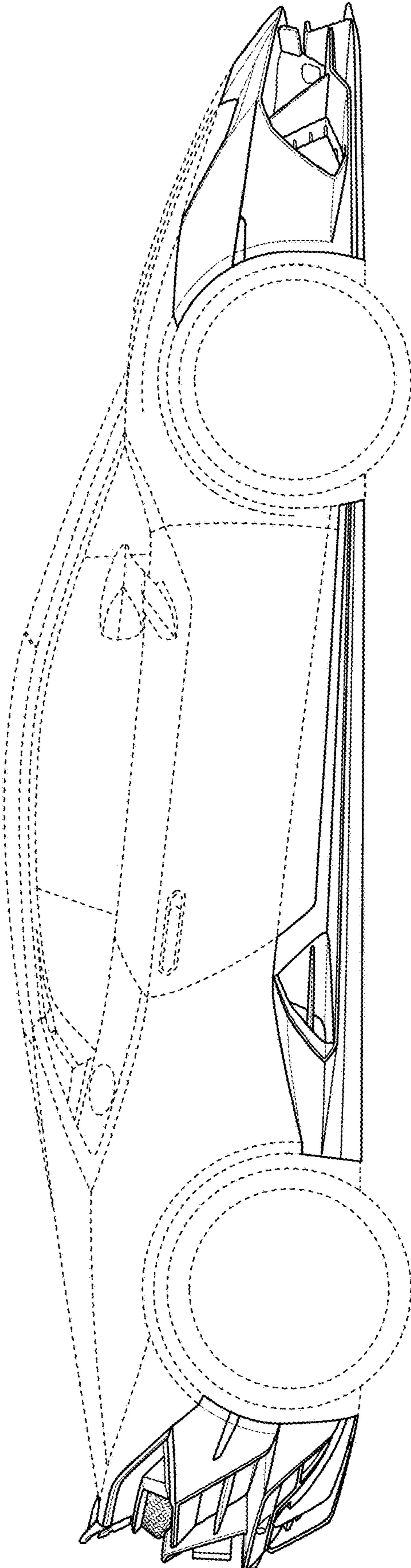


FIG. 7

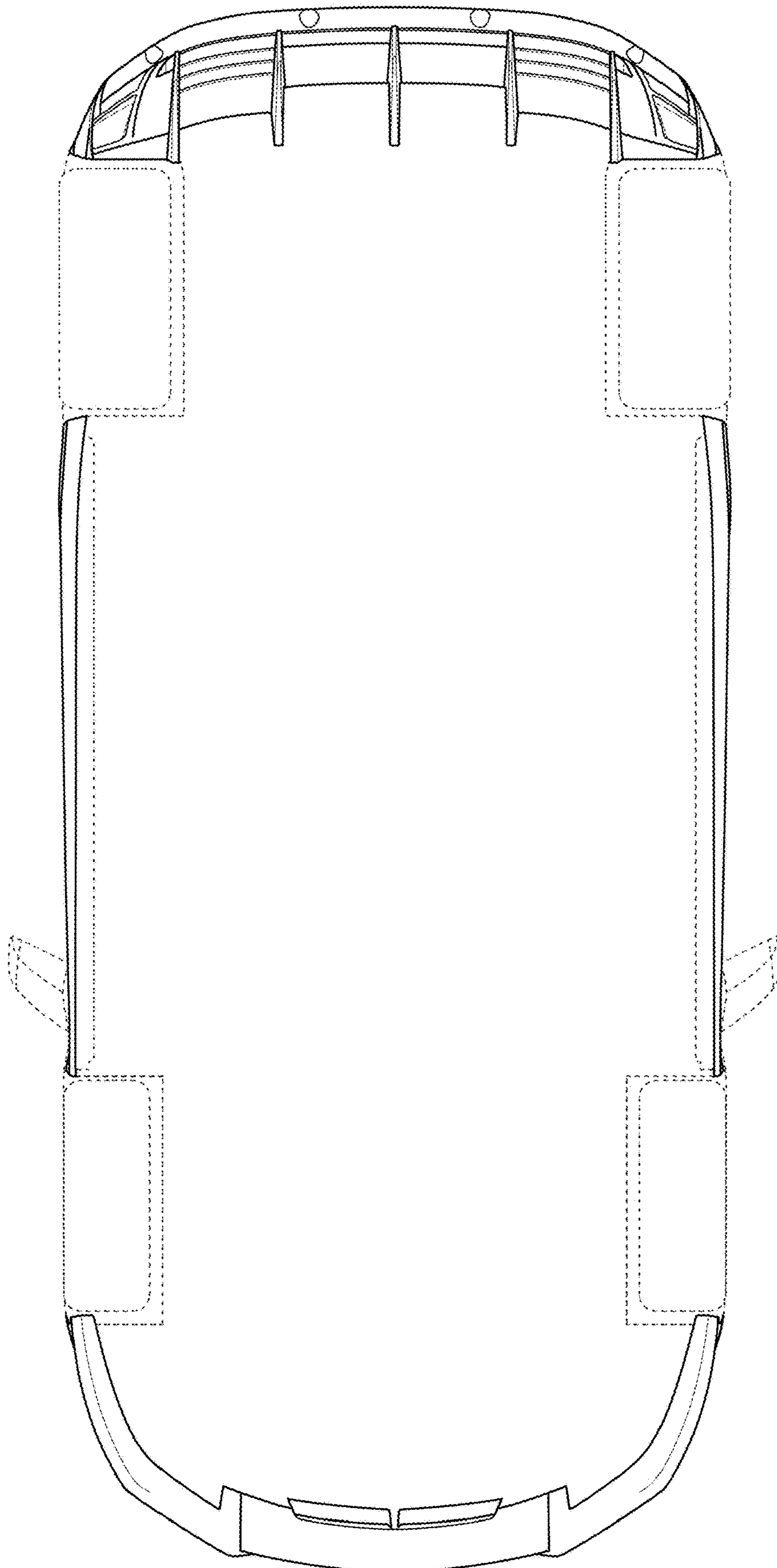


FIG. 8