

US00D891298S

(12) **United States Design Patent**
Zhao

(10) **Patent No.:** **US D891,298 S**

(45) **Date of Patent:** **** Jul. 28, 2020**

(54) **DRONE**

(71) Applicant: **Jiangui Zhao**, Zhangzhou (CN)

(72) Inventor: **Jiangui Zhao**, Zhangzhou (CN)

(**) Term: **15 Years**

(21) Appl. No.: **29/691,781**

(22) Filed: **May 20, 2019**

(51) **LOC (12) Cl.** **12-07**

(52) **U.S. Cl.**
USPC **D12/16.1**

(58) **Field of Classification Search**
USPC D12/1, 2, 3, 4, 16.1, 174, 319–345;
D15/436–455; D13/109
CPC B64C 29/0033; B64C 2201/021; B64C
29/02; B64C 2201/088; B64C 2201/104;
B64C 2201/141
See application file for complete search history.

(56) **References Cited**

U.S. PATENT DOCUMENTS

D760,848 S *	7/2016	McKenna	D12/16.1
D783,727 S *	4/2017	Xiao	D21/441
D785,717 S *	5/2017	Xiao	D21/441
D793,482 S *	8/2017	Wang	D12/16.1
D796,586 S *	9/2017	Chen	D12/16.1
D798,962 S *	10/2017	Xiao	D21/441
D798,963 S *	10/2017	Xiao	D21/441
D814,385 S *	4/2018	Zhao	D12/328
D817,850 S *	5/2018	Xiao	D12/328
D825,669 S *	8/2018	Tompkin	D21/441
D843,266 S *	3/2019	Chen	D12/16.1
D855,705 S *	8/2019	Zhao	D21/436

D856,848 S *	8/2019	Kim	D12/16.1
D858,353 S *	9/2019	Gan	D12/16.1
D860,047 S *	9/2019	Gan	D12/16.1
D864,082 S *	10/2019	Zhou	D12/328
D864,083 S *	10/2019	Zhou	D12/328
D874,338 S *	2/2020	Zhao	D12/16.1
D883,141 S *	5/2020	Lin	D12/16.1
2018/0002023 A1 *	1/2018	Tian	B64C 39/024
2018/0111685 A1 *	4/2018	Tian	B64C 25/10
2018/0149947 A1 *	5/2018	Kim	B64C 39/024

OTHER PUBLICATIONS

JJRC X9 Heron Drone [May 12, 2020] found online [May 12, 2020]—<https://www.gizmochina.com/2019/04/10/buy-sjrc-f11-and-jjrc-x9-heron-rc-drones-at-lowered-prices-on-geekbuying-coupon/>.*

* cited by examiner

Primary Examiner — Lakiya G Rogers

Assistant Examiner — John A Voytek

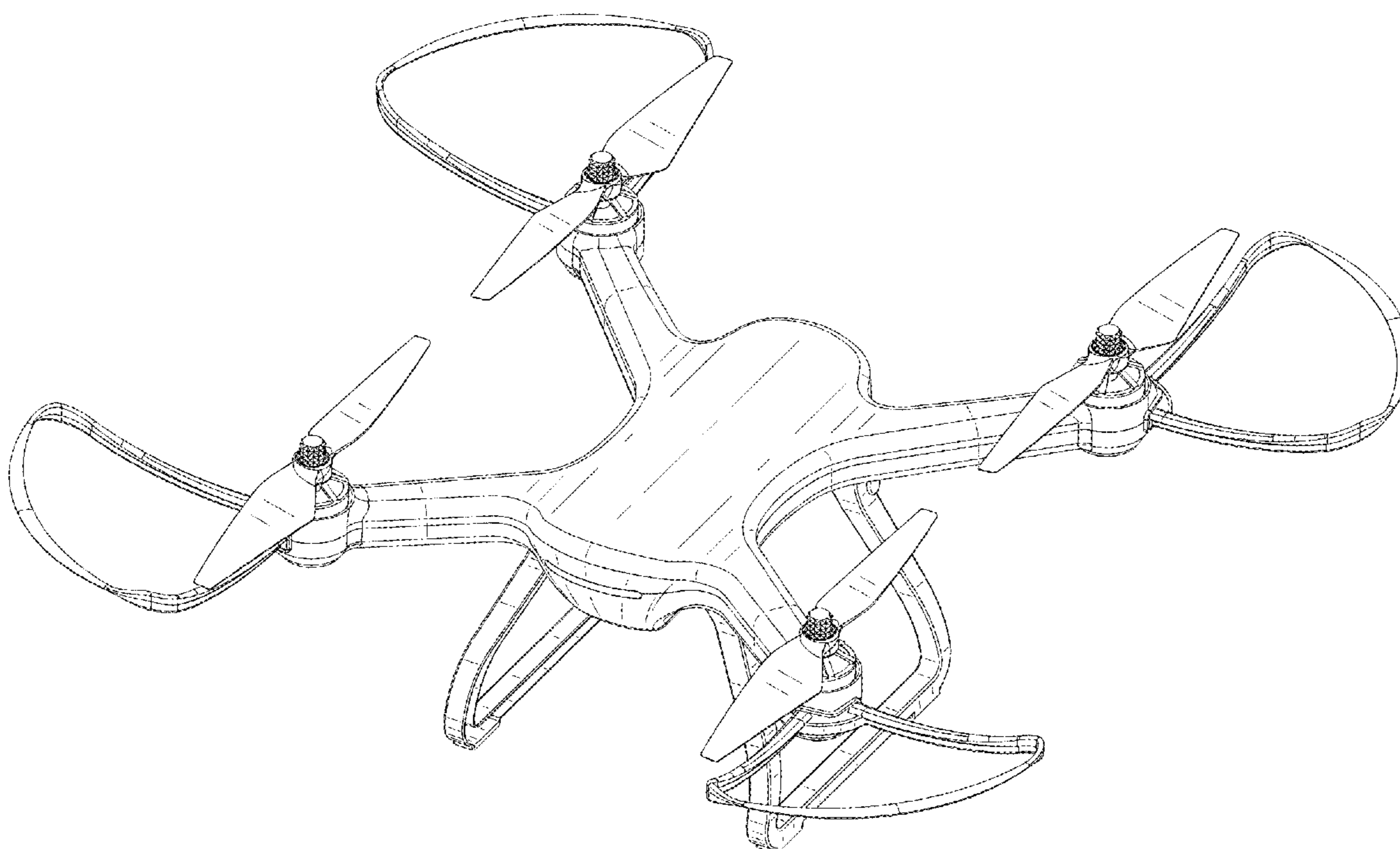
(57) **CLAIM**

The ornamental design for a drone, as shown and described.

DESCRIPTION

FIG. 1 is a front perspective view of the drone showing my new design;
FIG. 2 is a rear perspective view thereof;
FIG. 3 is a front elevational view thereof;
FIG. 4 is a rear elevational view thereof;
FIG. 5 is a left side elevational view thereof;
FIG. 6 is a right side elevational view thereof;
FIG. 7 is a top plan view thereof; and,
FIG. 8 is a bottom plan view thereof.

1 Claim, 8 Drawing Sheets



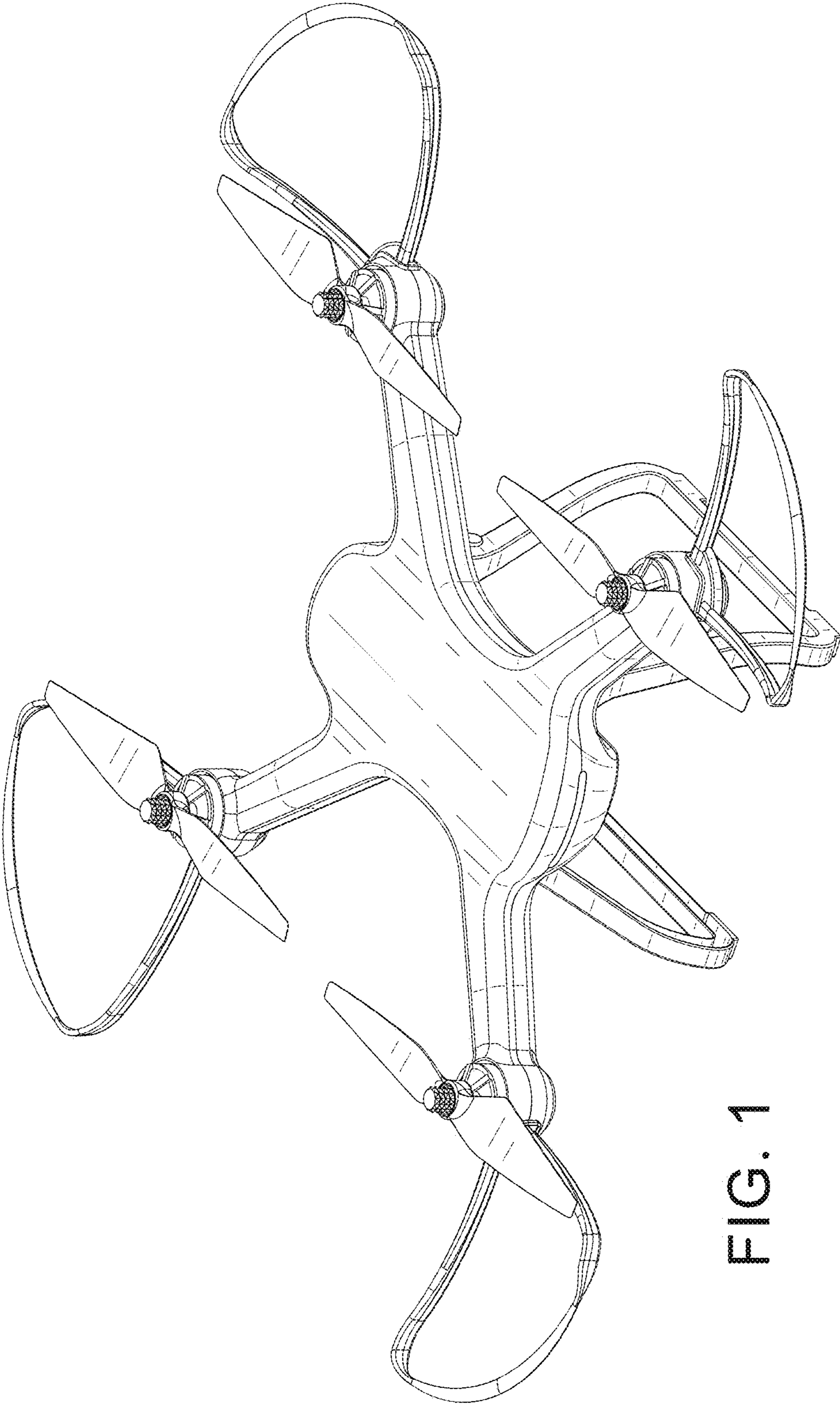


FIG. 1

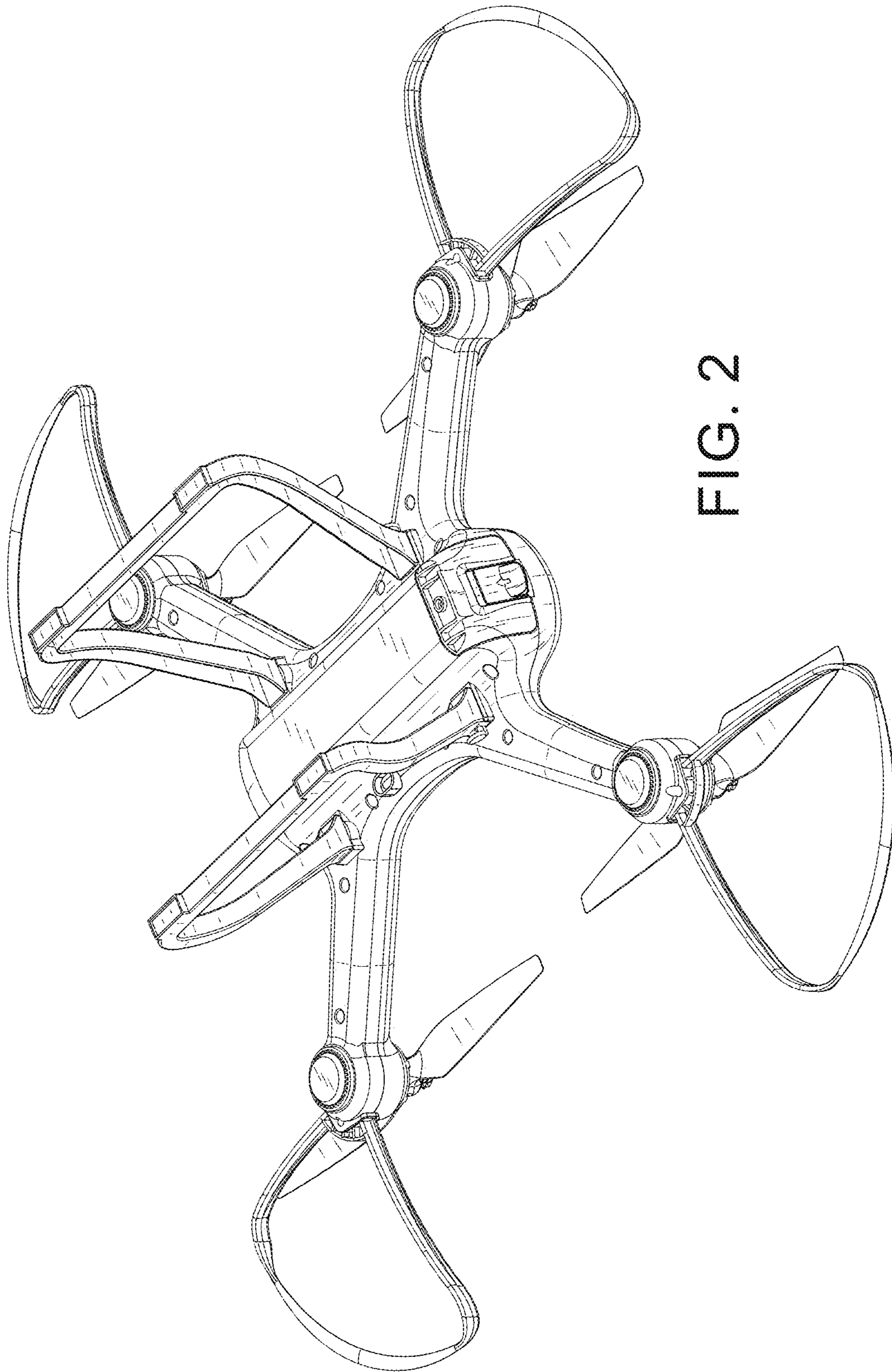


FIG. 2

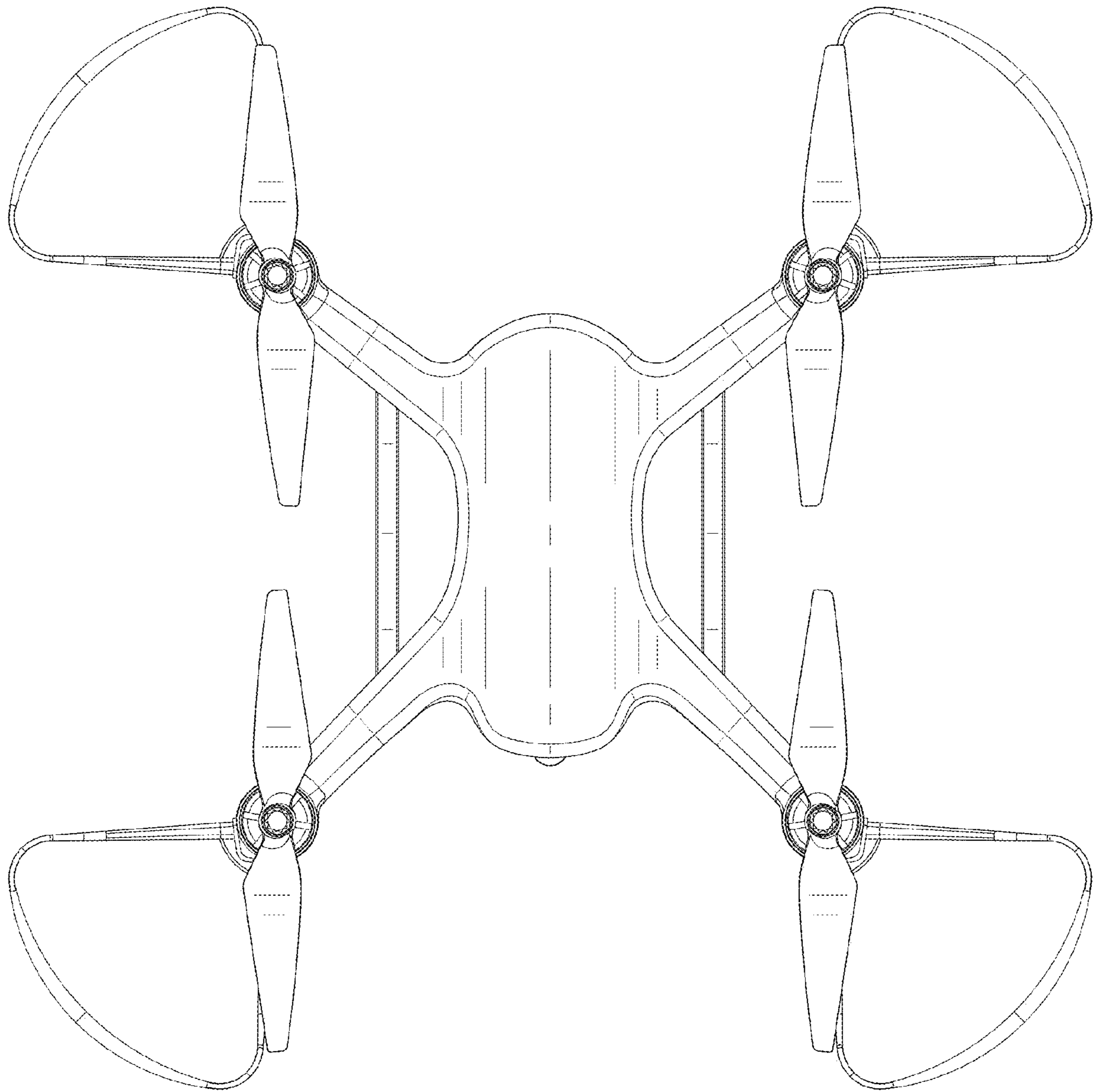


FIG. 3

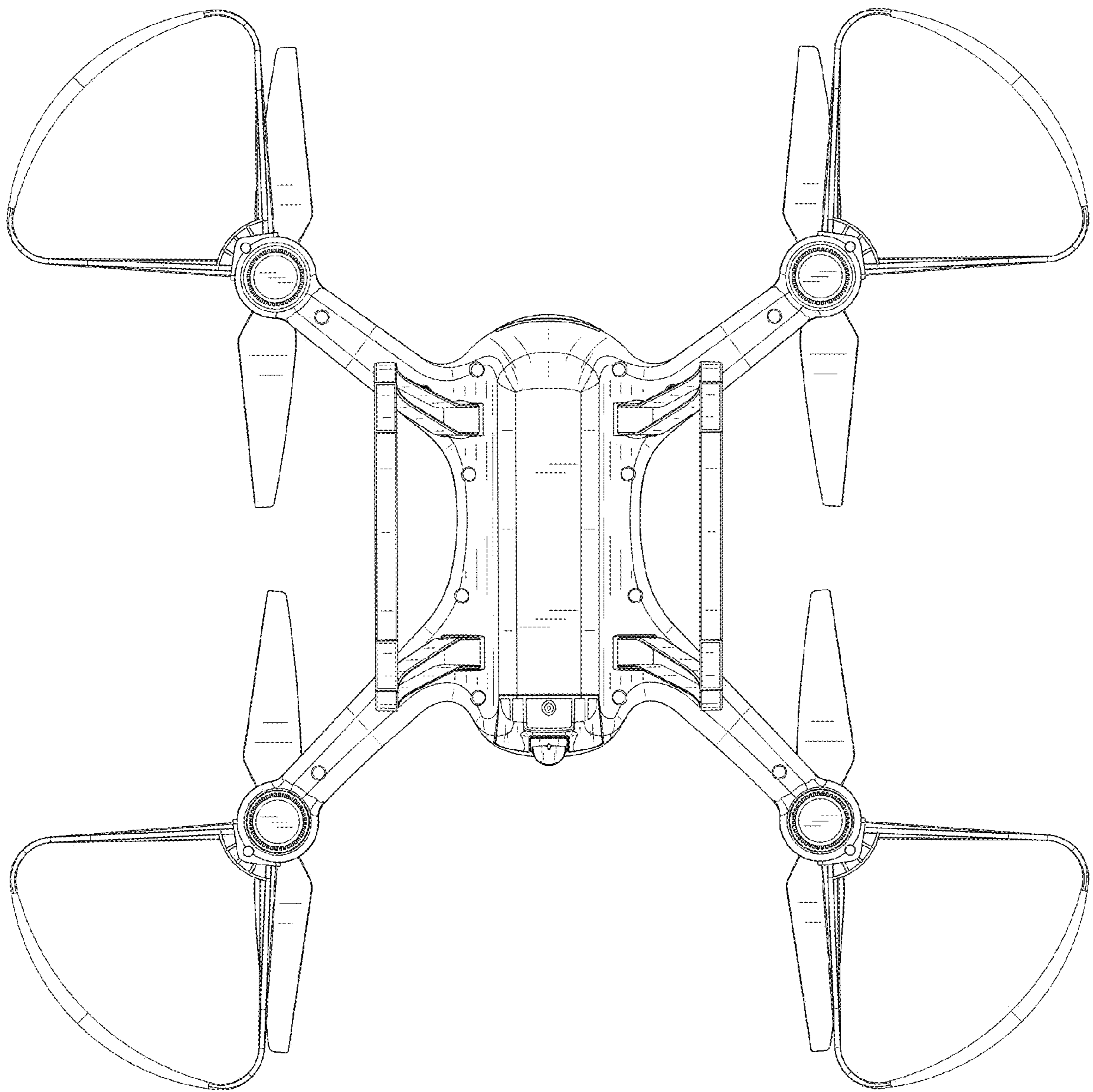


FIG. 4

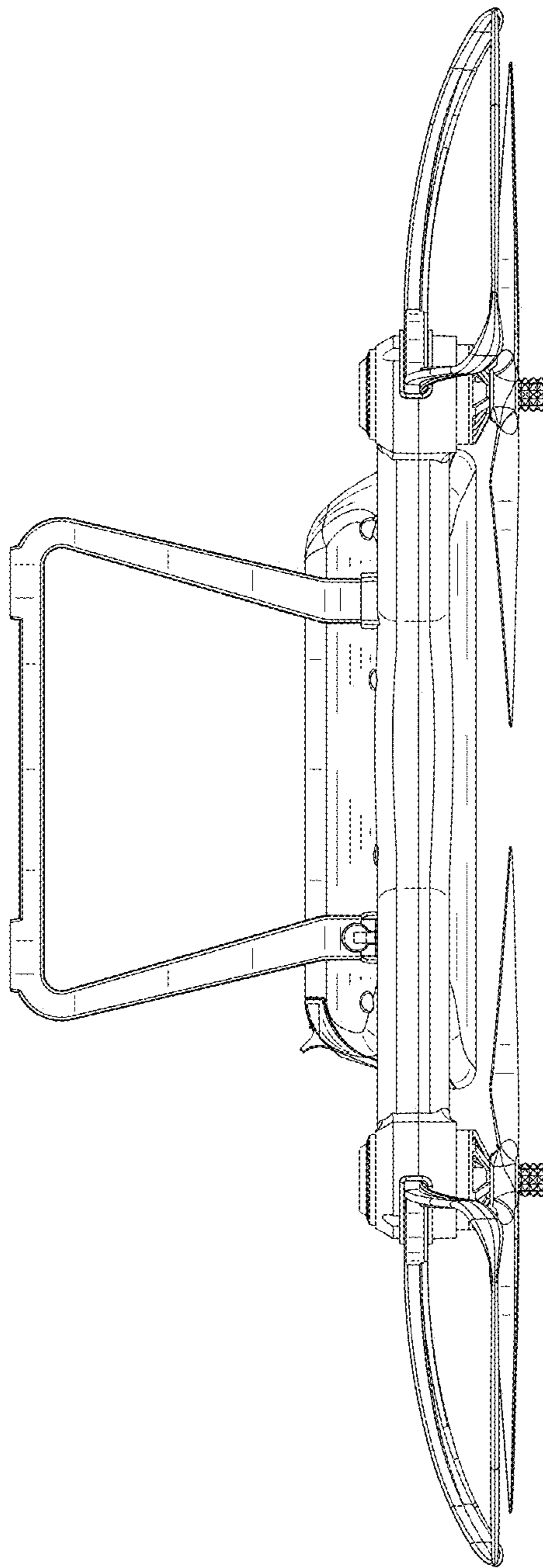


FIG.5

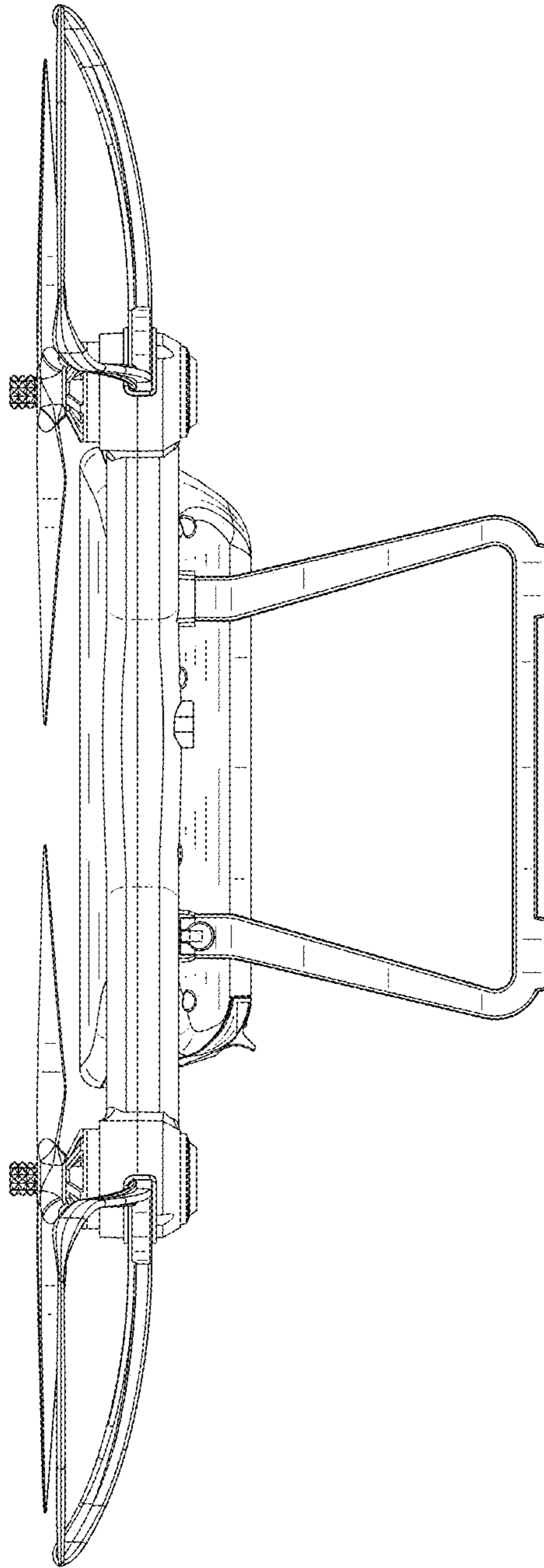


FIG.6

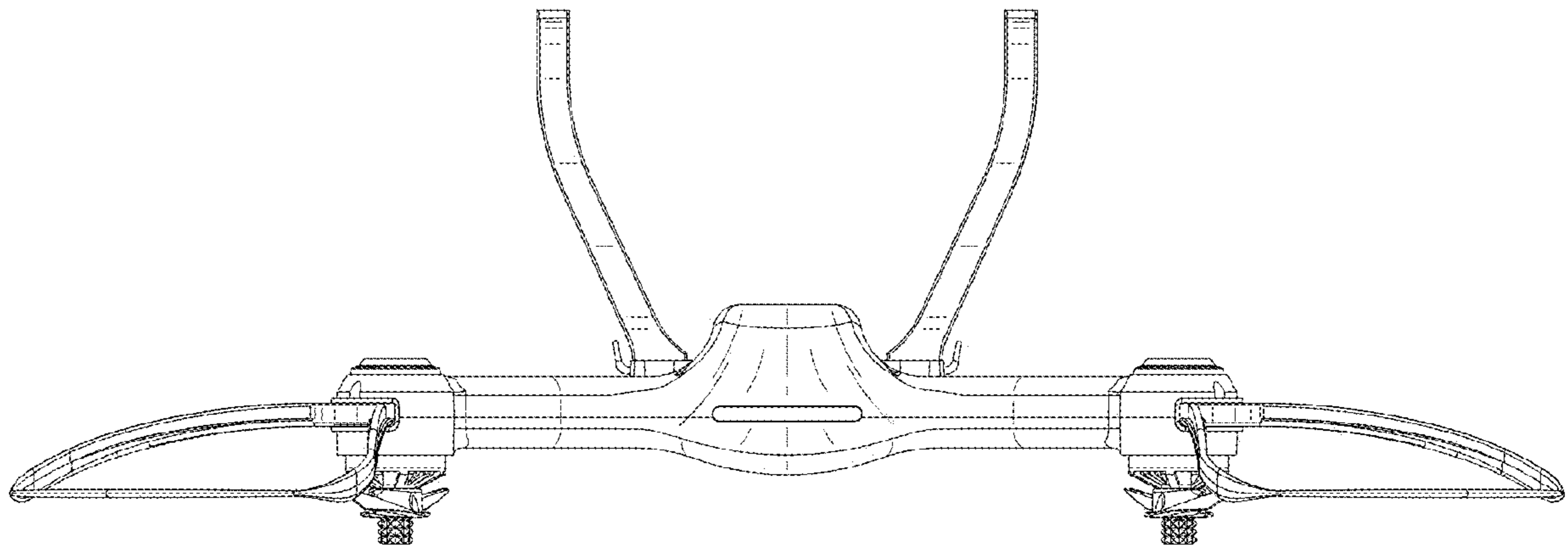


FIG.7

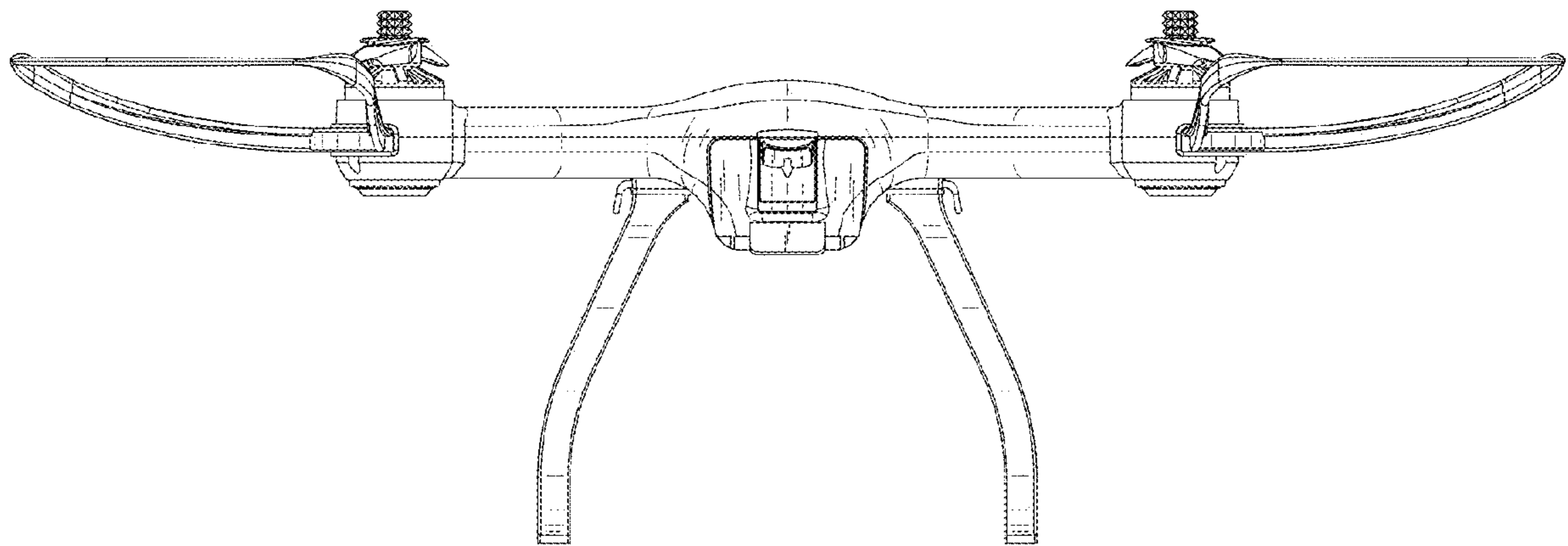


FIG.8