



US00D891295S

(12) **United States Design Patent**
Andersson et al.

(10) **Patent No.:** **US D891,295 S**
(45) **Date of Patent:** **** Jul. 28, 2020**

(54) **LOCK FOR A STRAP OF A BOOSTER SEAT**

(71) Applicant: **BabyBjörn AB**, Solna (SE)

(72) Inventors: **Henrik Andersson**, Reftele (SE);
Magnus Klasson, Reftele (SE)

(73) Assignee: **BabyBjörn AB**, Solna (SE)

(**) Term: **15 Years**

(21) Appl. No.: **29/638,046**

(22) Filed: **Feb. 23, 2018**

(30) **Foreign Application Priority Data**

Sep. 20, 2017 (EM) 004363893

(51) **LOC (12) Cl.** **02-07**

(52) **U.S. Cl.**
USPC **D11/218; D8/330**

(58) **Field of Classification Search**

USPC D2/639, 641, 705, 828, 853, 911, 946;
D6/215, 239, 263, 265, 266, 333, 339;
D11/12, 3, 16, 86, 87, 93, 200, 201,
D11/206–210, 212–218, 229–237, 1, 2
CPC A44B 11/00; A44B 11/04; A44B 11/06;
A44B 11/10; A44B 11/14; A44B 11/22;
A44B 11/25; A44B 11/26; A44B 11/125;
A44B 11/223; A44B 11/2503; A44B
11/2507; A44B 11/2553; A44B 11/2592;
A44B 11/001; A44B 11/005; B65D 63/16
See application file for complete search history.

(56) **References Cited**

U.S. PATENT DOCUMENTS

3,277,543 A * 10/1966 Gaylord A44B 11/18
24/193
D435,763 S * 1/2001 Potter D8/14

D436,744 S * 1/2001 Haut D6/333
D442,373 S * 5/2001 Ruehlmann D6/333
D632,098 S * 2/2011 Cymbalski D6/333
8,056,191 B2 * 11/2011 Crye A44B 11/10
24/168
D722,779 S * 2/2015 Gov D6/339
D850,804 S * 6/2019 Andersson D6/333

* cited by examiner

Primary Examiner — Kevin K Rudzinski

Assistant Examiner — Richard Kearney

(74) *Attorney, Agent, or Firm* — Stuebaker & Brackett
PC

(57) **CLAIM**

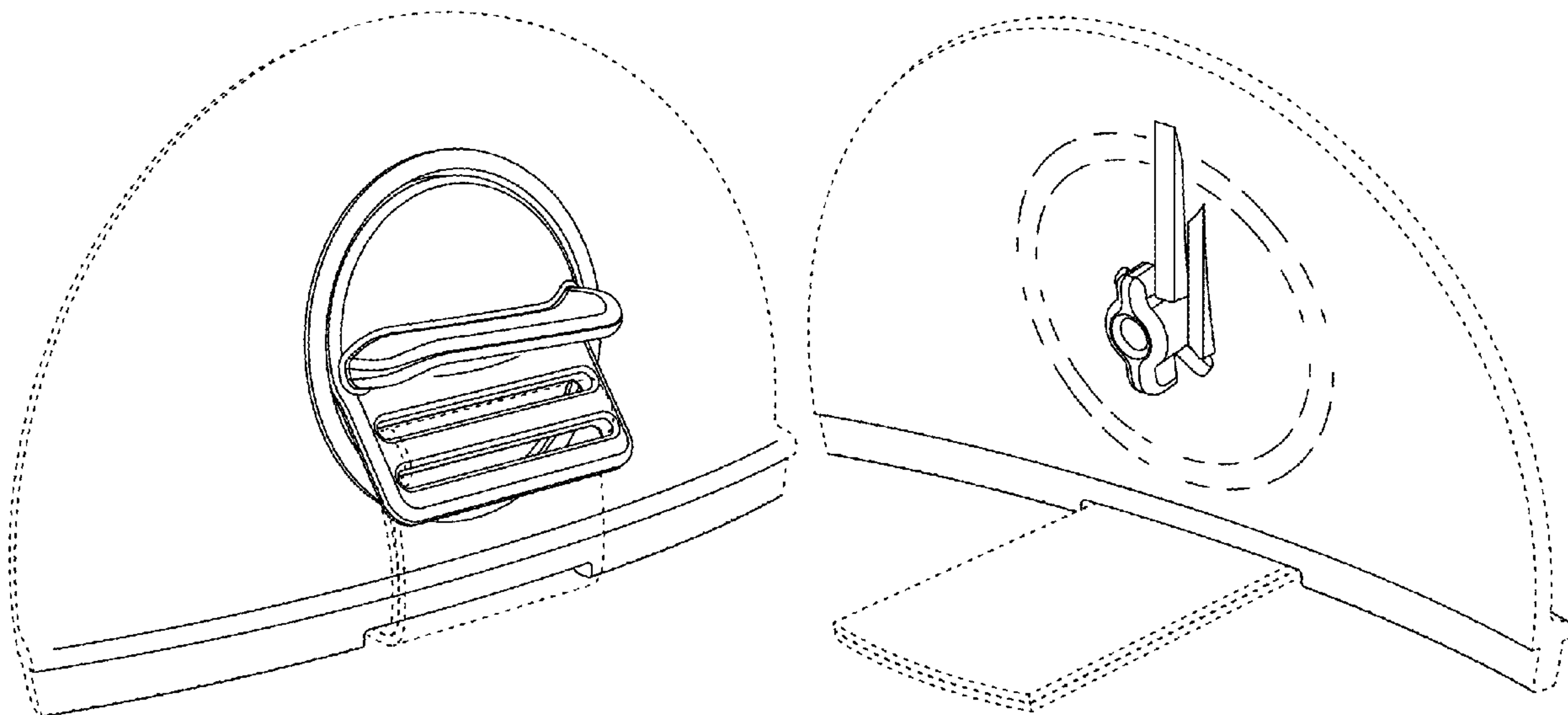
The ornamental design for a lock for a strap of a booster seat,
as shown and described.

DESCRIPTION

FIG. 1 is a front perspective view showing our my new
design for a lock for a strap of a booster seat,
FIG. 2 is a rear perspective view thereof,
FIG. 3 is a front view thereof,
FIG. 4 is a rear view thereof,
FIG. 5 is an alternate front perspective view thereof,
FIG. 6 is a bottom view thereof,
FIG. 7 is a top view thereof,
FIG. 8 is a right side view thereof; and,
FIG. 9 is a left side view thereof.

The broken lines showing a strap illustrate environmental
structure while all other broken lines illustrate portions of
the article; the broken lines form no part of the claimed
design.

1 Claim, 9 Drawing Sheets



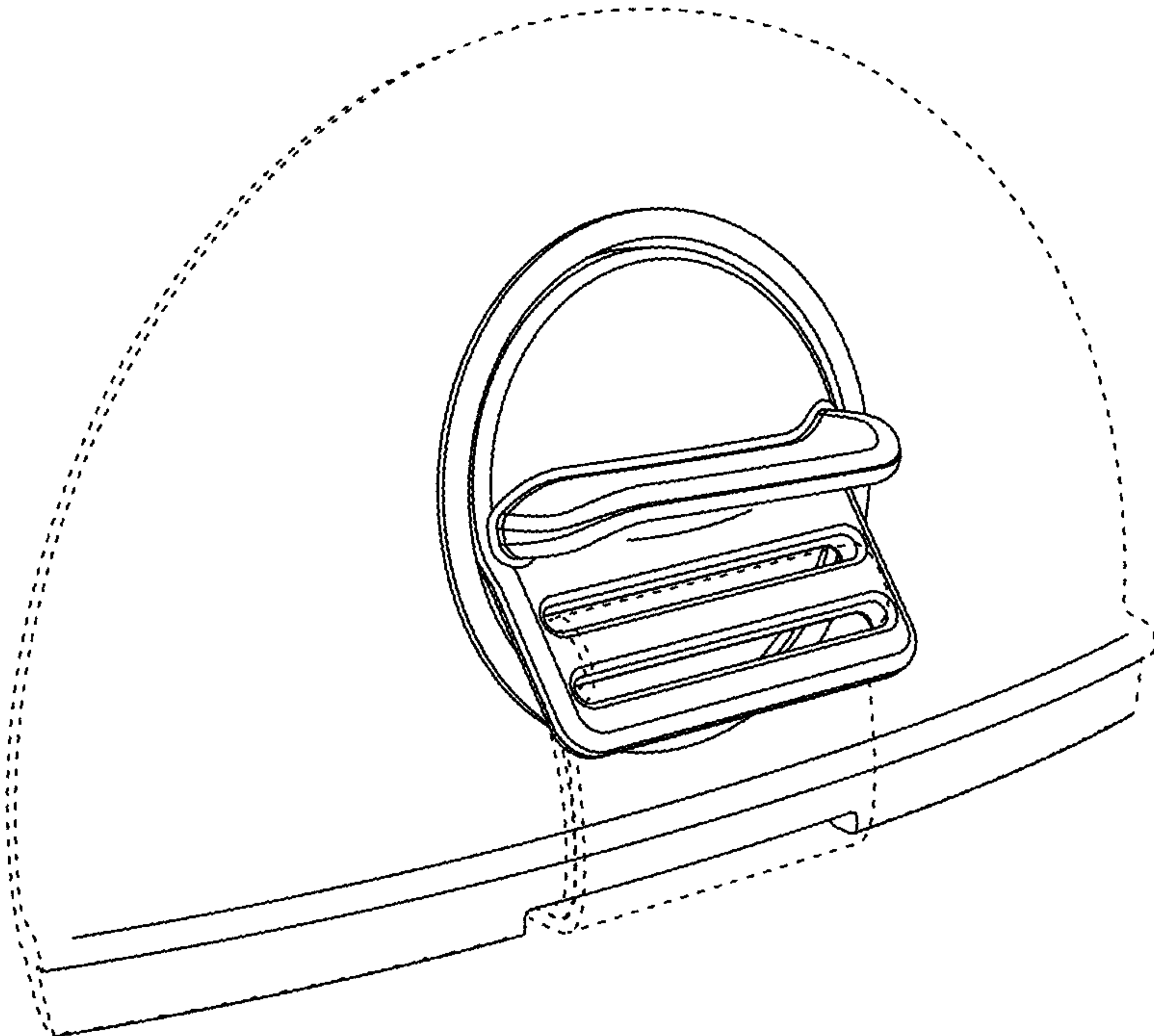


Fig. 1

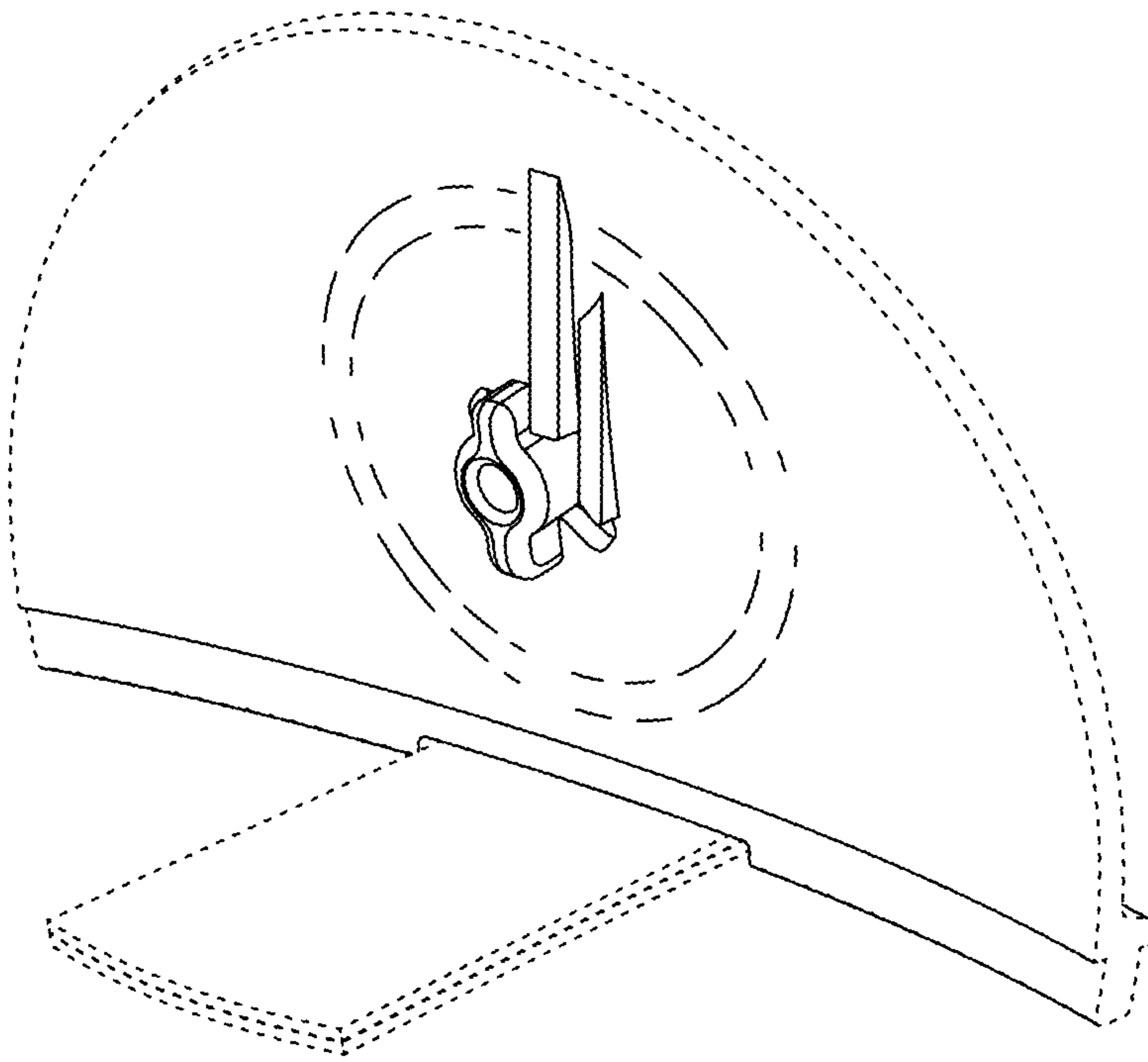


Fig. 2

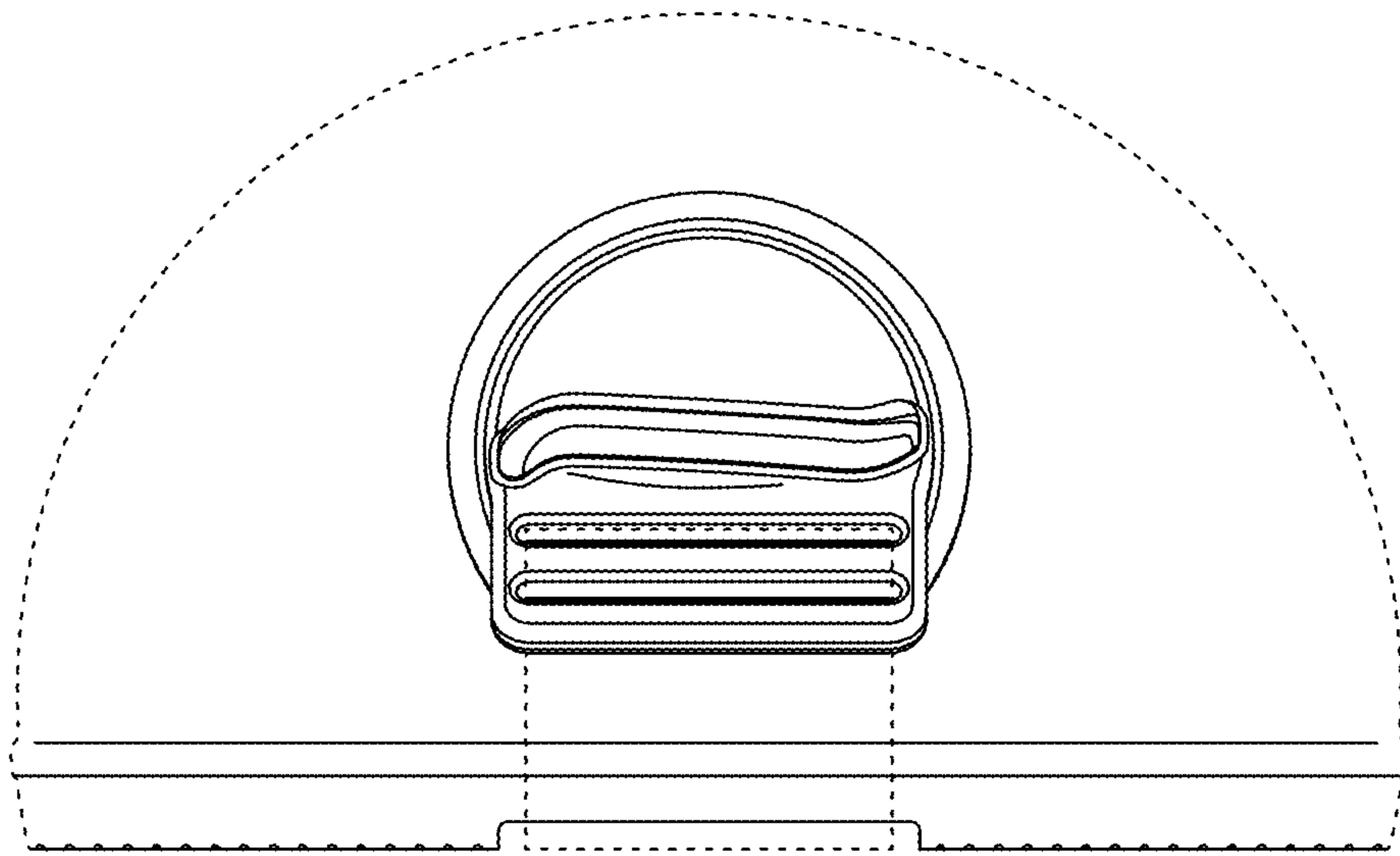


Fig. 3

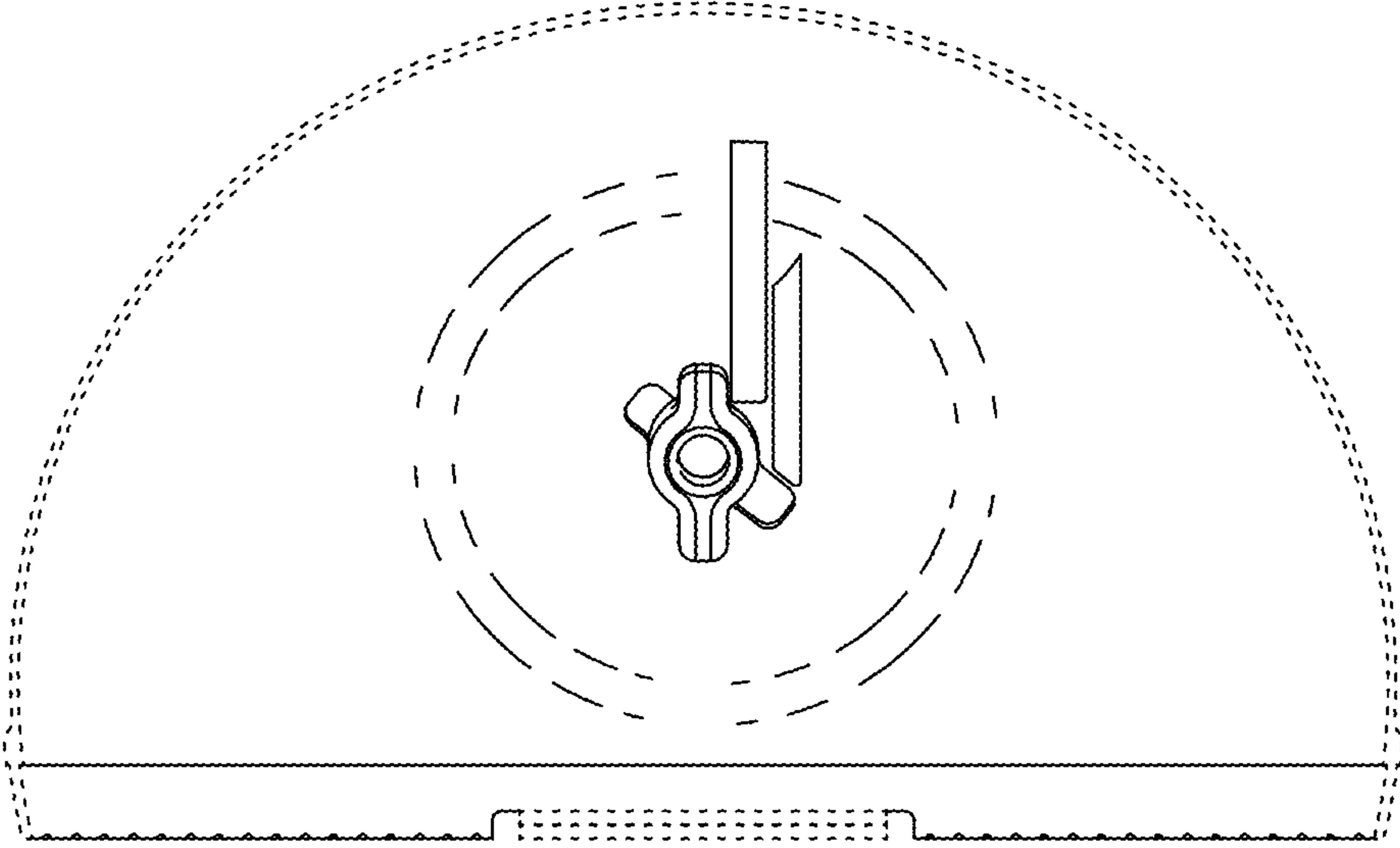


Fig. 4

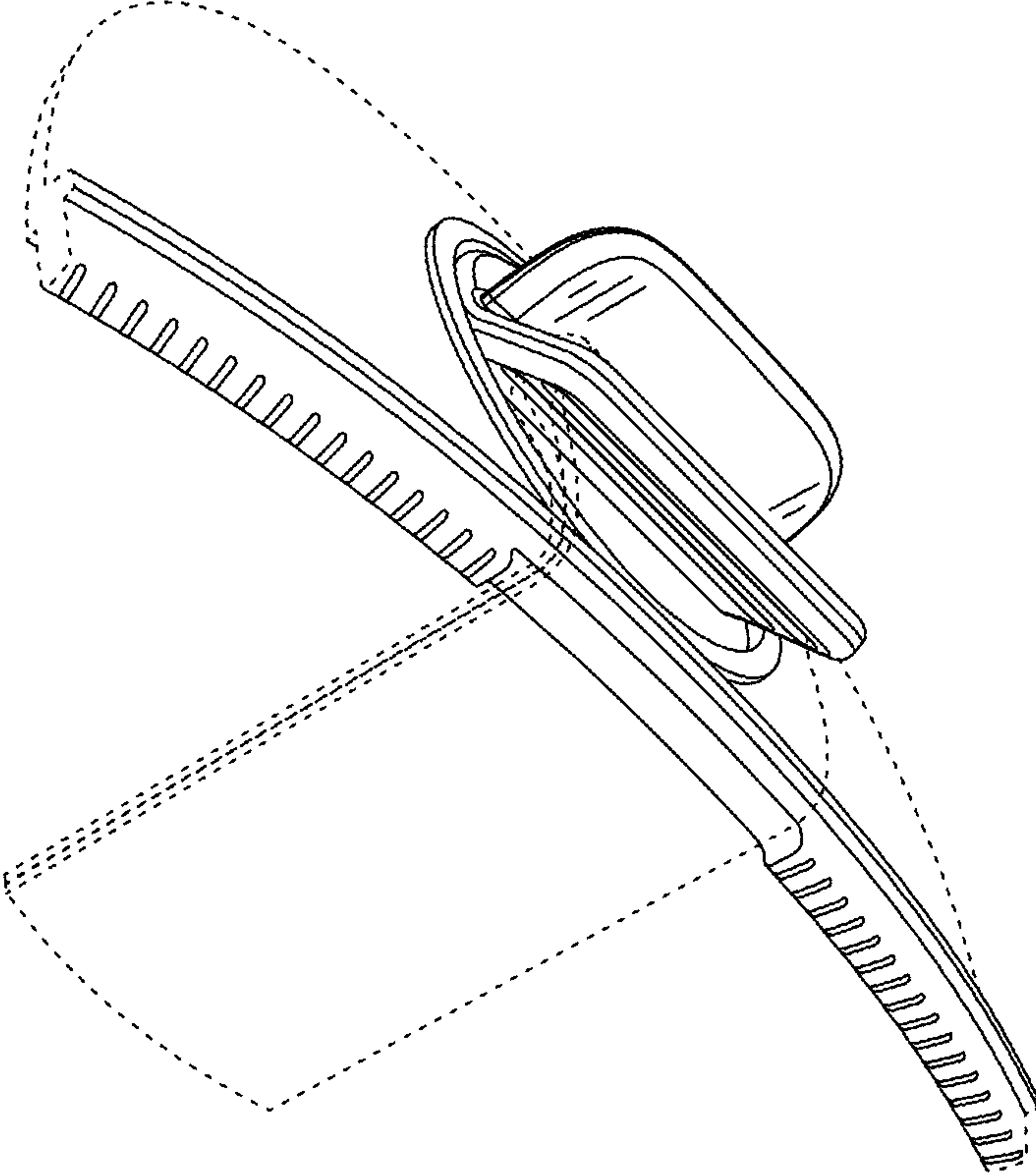


Fig. 5

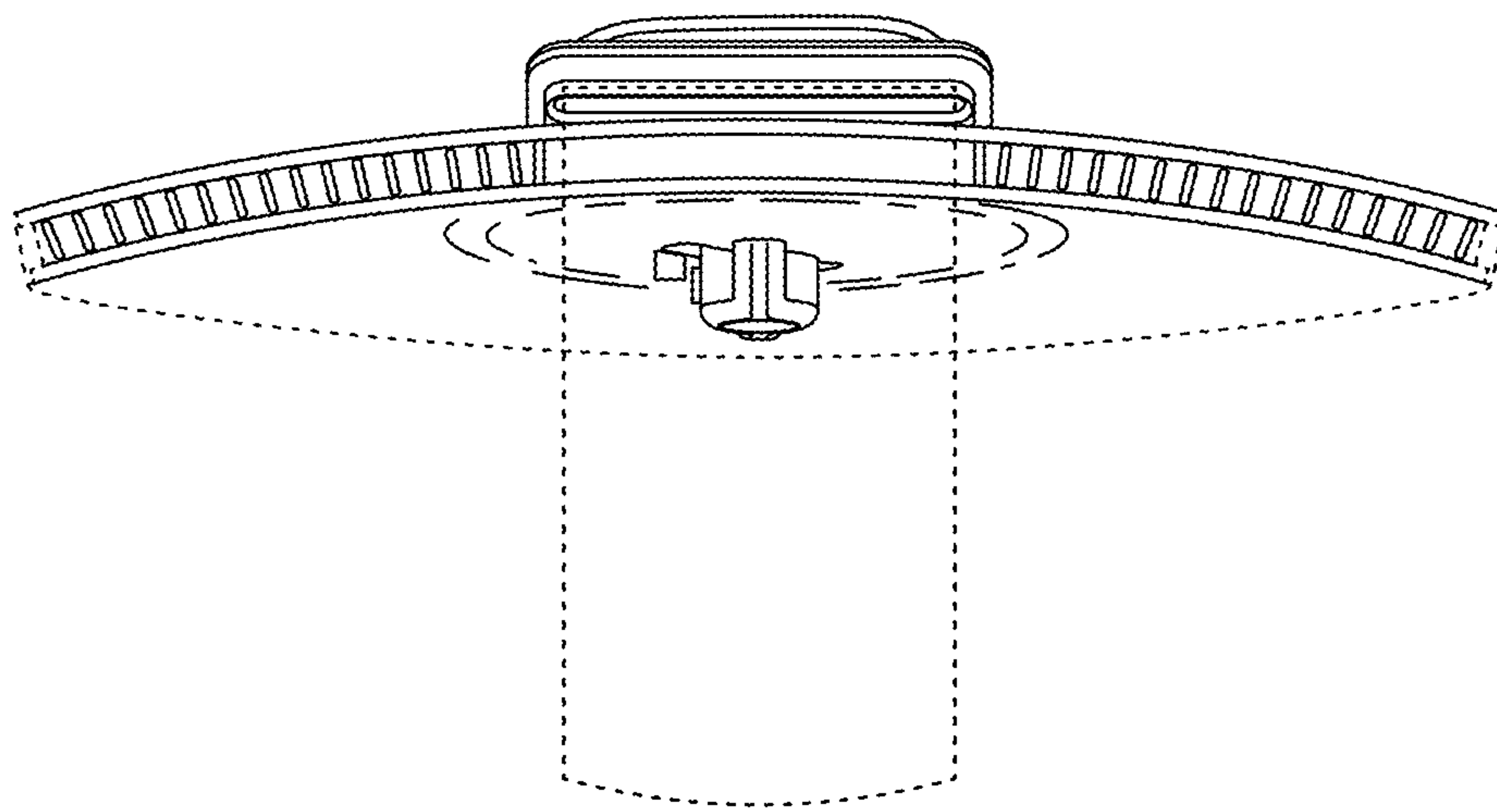


Fig. 6

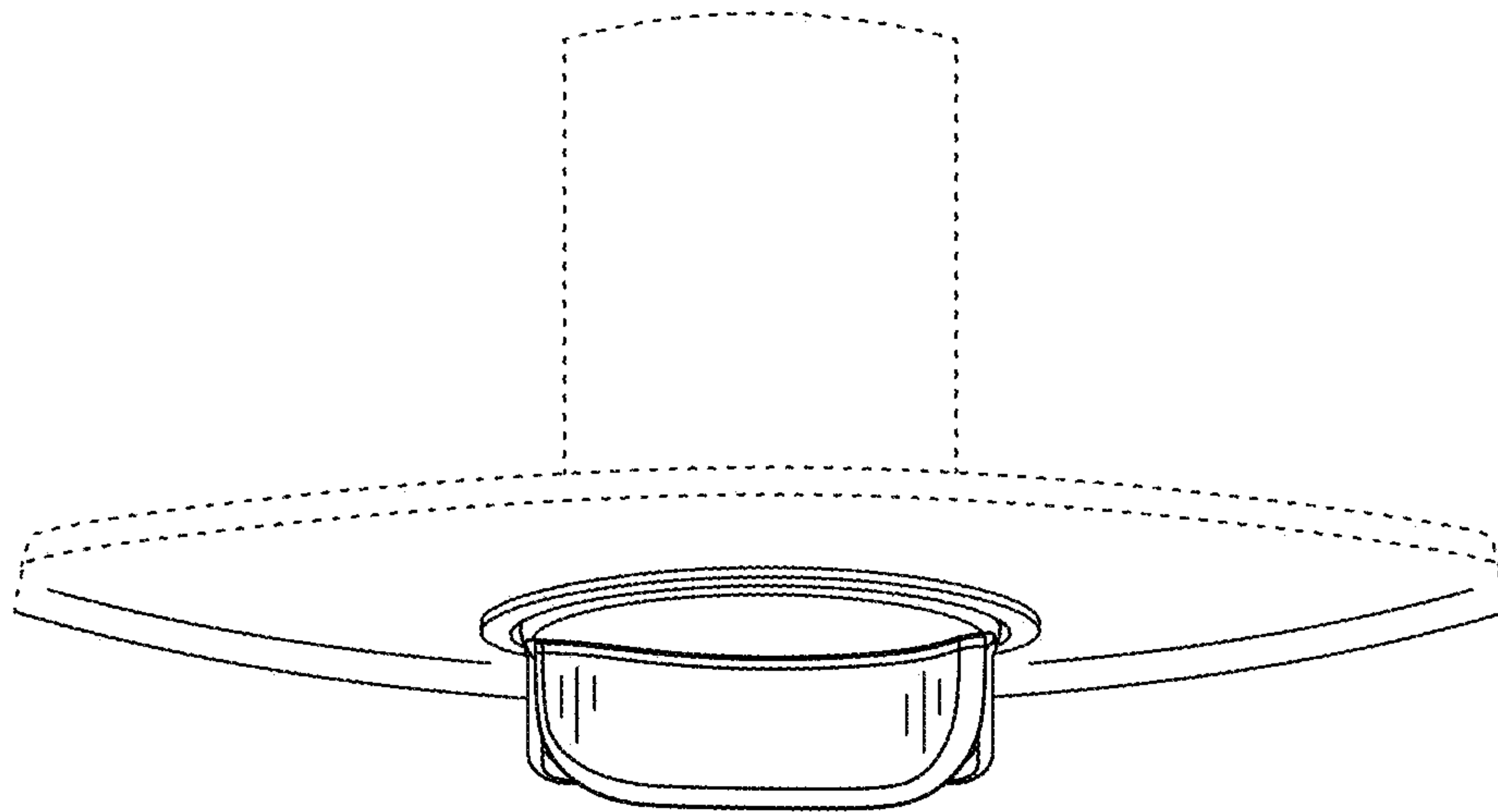


Fig. 7

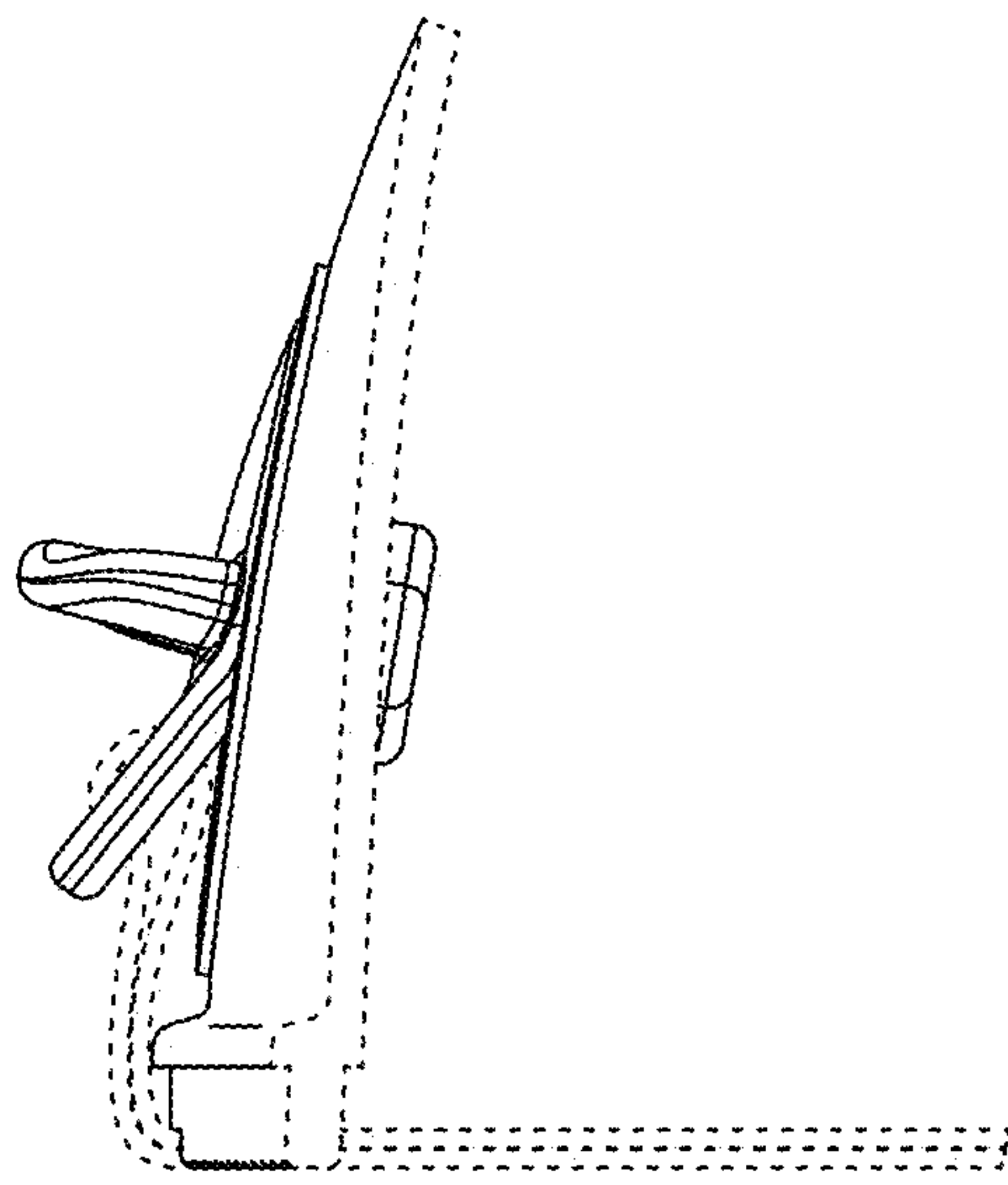


Fig. 8

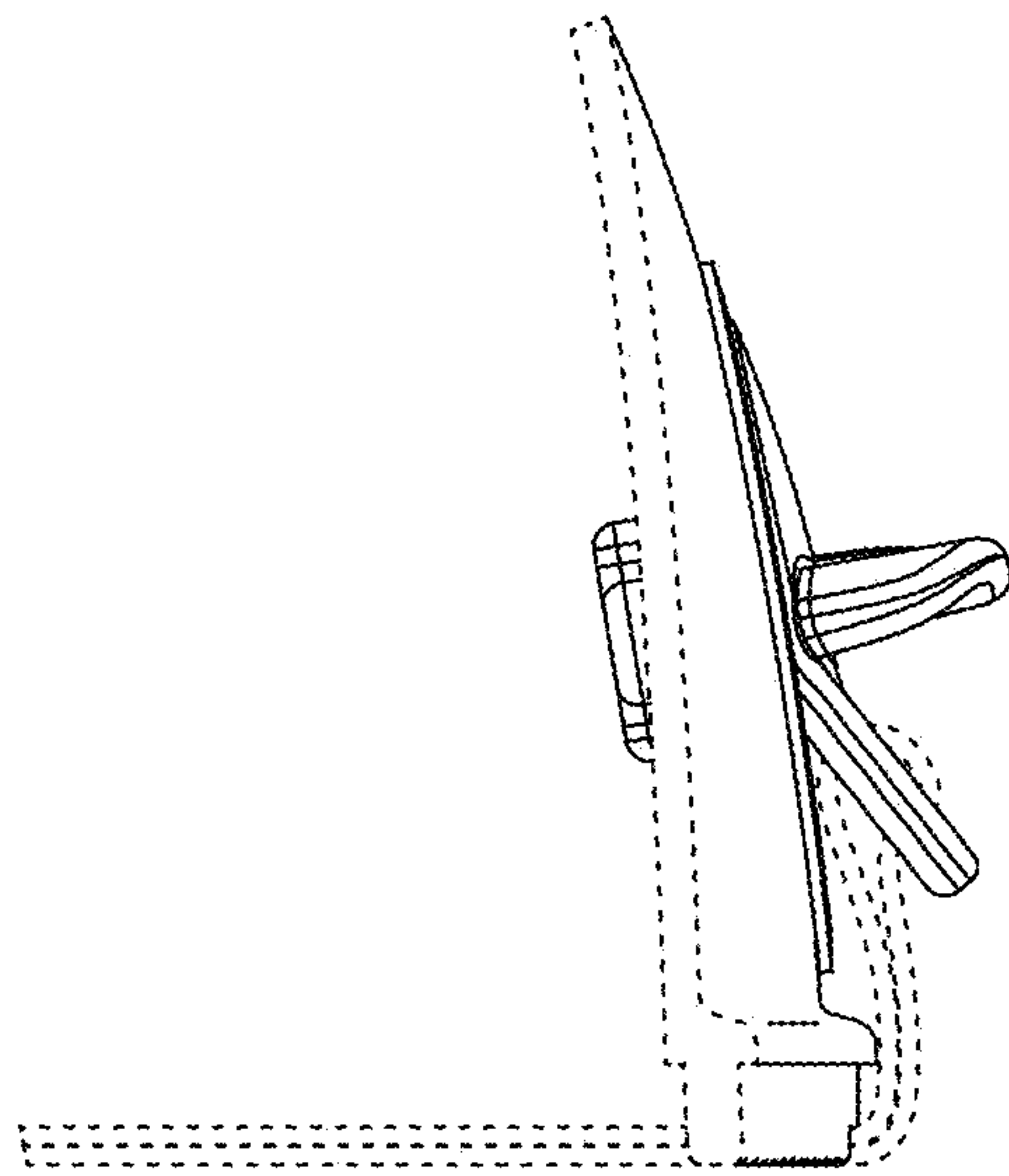


Fig. 9