

US00D891294S

(12) **United States Design Patent** (10) **Patent No.:** **US D891,294 S**
Jo (45) **Date of Patent:** **** Jul. 28, 2020**

(54) EYELET	5,769,144 A * 6/1998 Carter A47H 13/02 160/330
(71) Applicant: Hyuck Sang Jo , Gimpo-si (KR)	D438,244 S * 2/2001 Whaley D19/32
(72) Inventor: Hyuck Sang Jo , Gimpo-si (KR)	D442,064 S * 5/2001 Chung D8/356
(**) Term: 15 Years	D492,619 S * 7/2004 Udolph D11/200
(21) Appl. No.: 35/506,983	D707,439 S * 6/2014 DeVecchio D2/973
(22) Filed: Nov. 16, 2018	D714,531 S * 10/2014 Guglielmo D2/946
(80) Hague Agreement Data	8,883,059 B2 * 11/2014 Lewis F16B 5/065 264/250
Int. Filing Date: Nov. 16, 2018	9,839,263 B2 * 12/2017 Villa A44B 17/0023
Int. Reg. No.: DM/201432	D837,685 S * 1/2019 Miki D11/200
Int. Reg. Date: Nov. 16, 2018	10,470,530 B2 * 11/2019 Raccosta A43B 23/24
Int. Reg. Pub. Date: Jun. 28, 2019	10,499,708 B2 * 12/2019 You A43C 5/00
(51) LOC (12) Cl. 11-07	10,575,598 B2 * 3/2020 Choi A45C 13/30
(52) U.S. Cl.	10,576,691 B2 * 3/2020 Mayer B29C 66/8242
USPC D11/200	
(58) Field of Classification Search	
USPC D11/200; D2/973, 946; D8/356, 382	
CPC Y10T 24/45927; Y10T 24/3745; Y10T 29/49943; Y10T 29/4992	
See application file for complete search history.	

* cited by examiner

Primary Examiner — Jennifer L Watkins

(57) **CLAIM**

The ornamental design for an eyelet, as shown and described.

DESCRIPTION

1. Eyelet
1.1 is a perspective view of an eyelet showing a new design;
1.2 is a side view thereof;
1.3 is a top view thereof;
1.4 is a bottom view thereof;
1.5 is a side view thereof; and
1.6 is a cross sectional view thereof taken from line A-A in **1.3**.

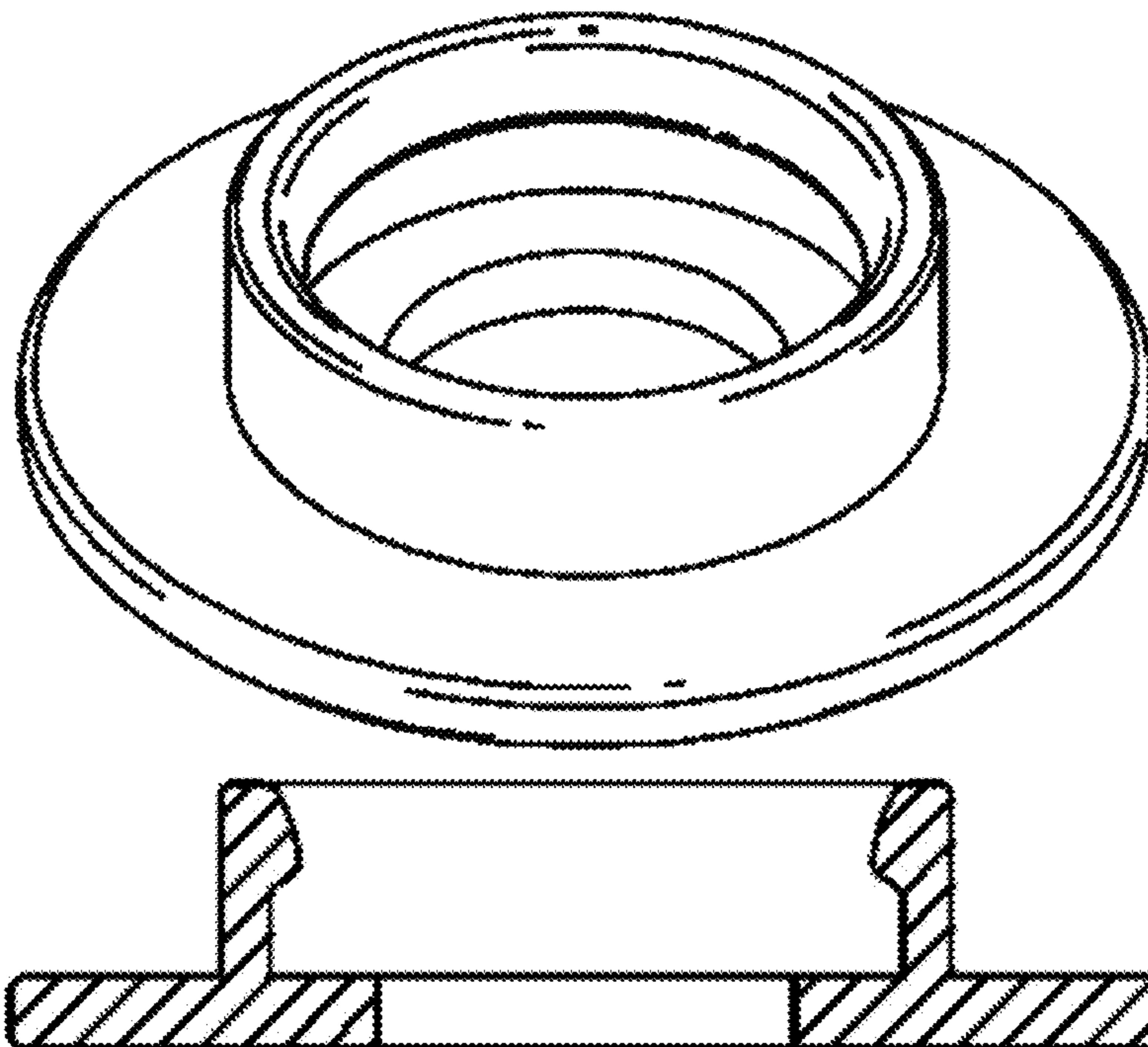
The letters 'A's and the arrows in reproduction **1.3** are only for representing a part of cross section and form no part of the claimed design.

1 Claim, 6 Drawing Sheets

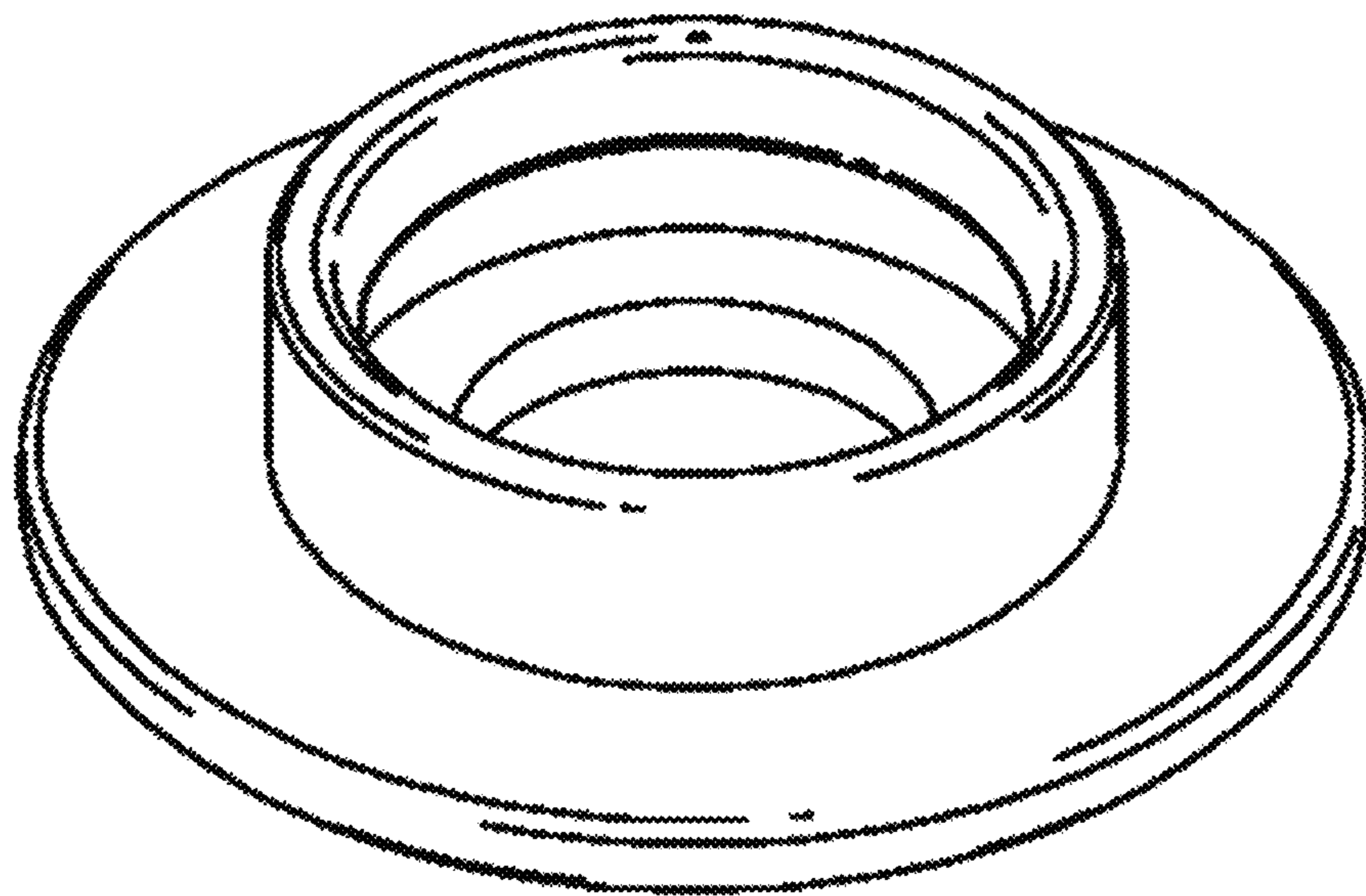
(56) **References Cited**

U.S. PATENT DOCUMENTS

3,754,310 A * 8/1973 Shea B29C 65/602 29/25.42
4,664,574 A * 5/1987 Kasai A44B 13/007 411/508
D312,167 S * 11/1990 Hase D2/973
D334,648 S * 4/1993 Rogers D2/973
D362,176 S * 9/1995 Solbeck D8/382



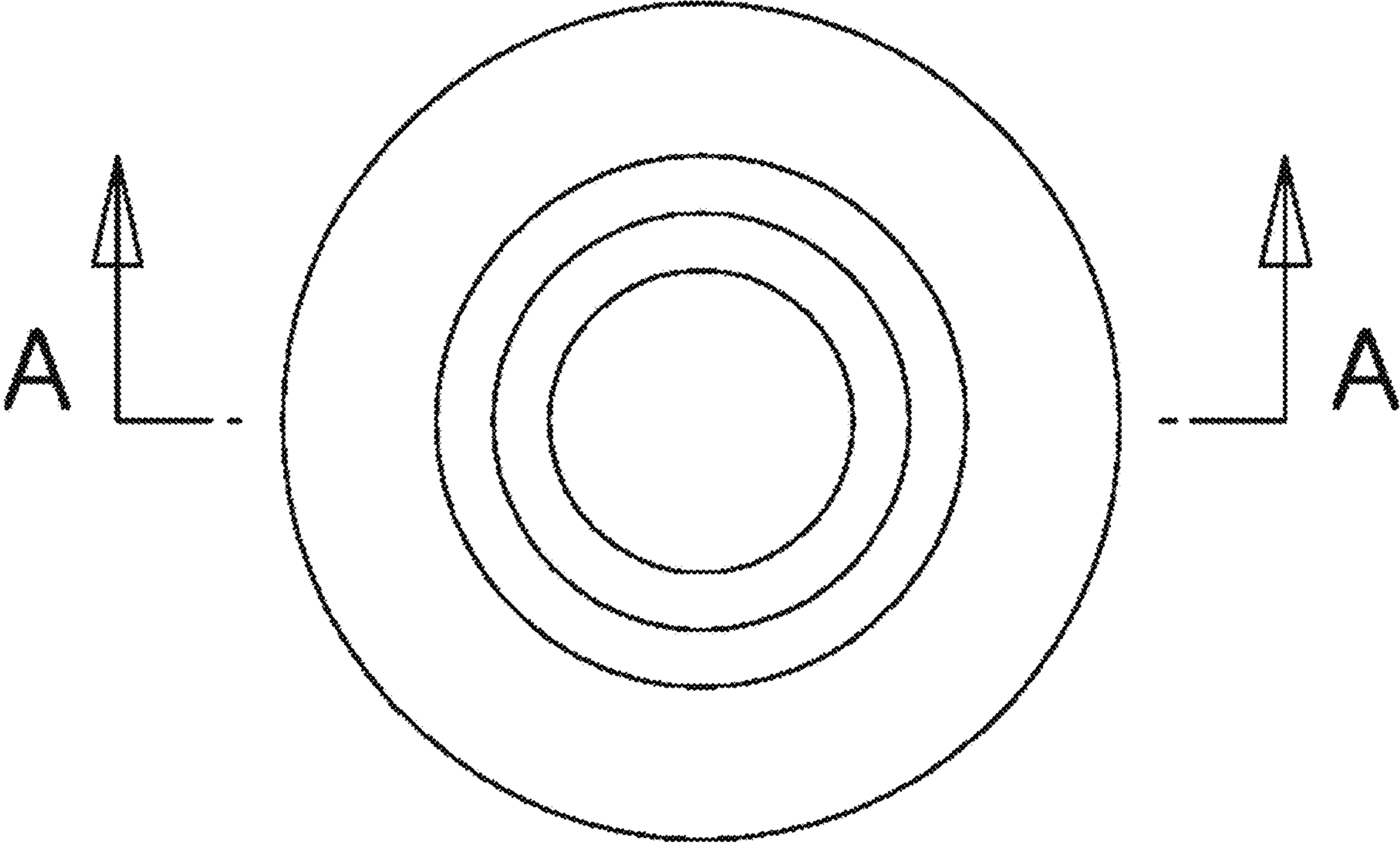
1.1



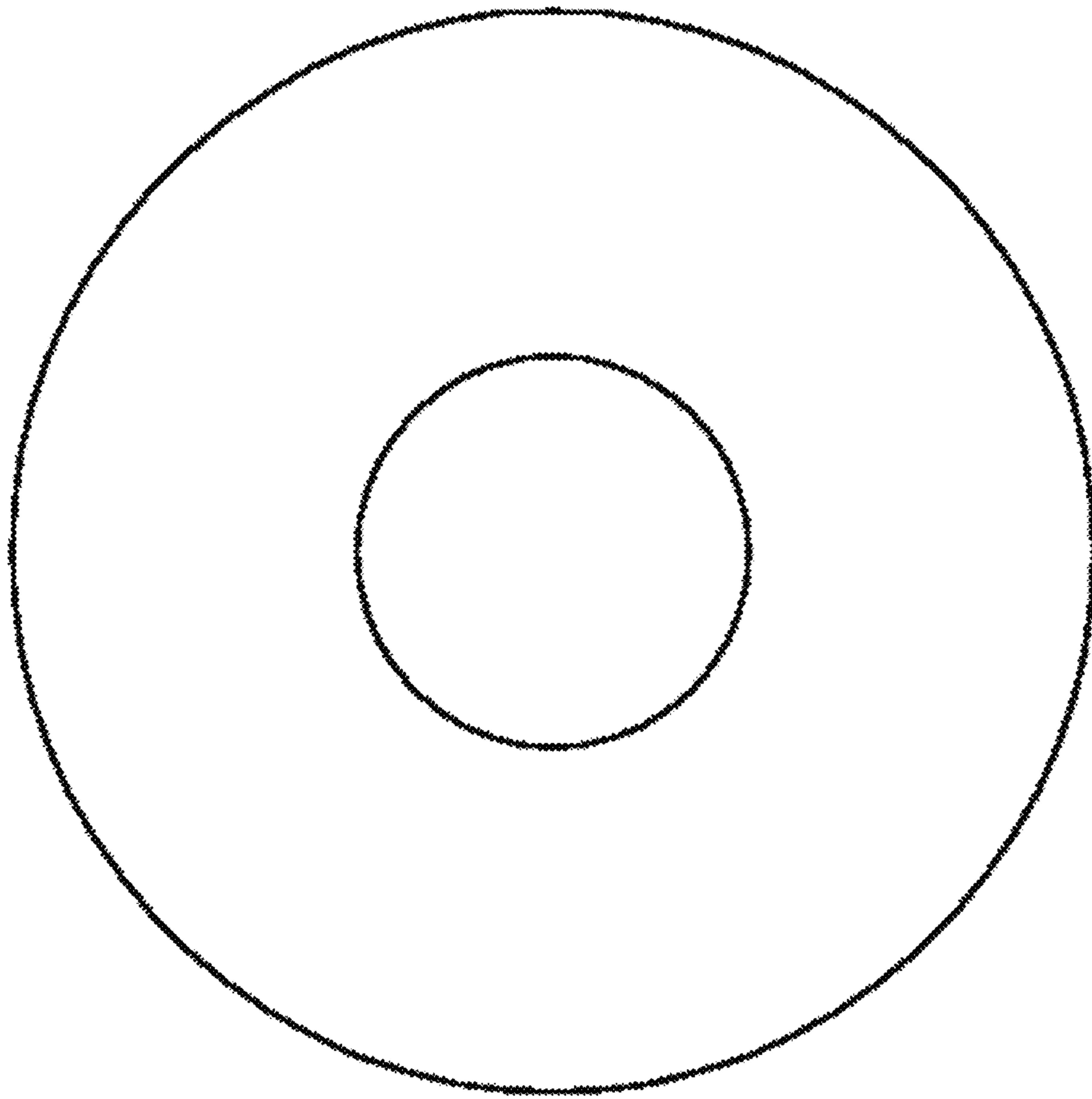
1.2



1.3



1.4



1.5



1.6

