



US00D891293S

(12) **United States Design Patent** (10) **Patent No.:** **US D891,293 S**
Jo (45) **Date of Patent:** **** Jul. 28, 2020**

(54) **EYELET**
(71) Applicant: **Hyuck Sang Jo**, Gimpo-si (KR)
(72) Inventor: **Hyuck Sang Jo**, Gimpo-si (KR)
(**) Term: **15 Years**
(21) Appl. No.: **35/506,888**
(22) Filed: **Nov. 16, 2018**
(80) **Hague Agreement Data**
Int. Filing Date: **Nov. 16, 2018**
Int. Reg. No.: **DM/201303**
Int. Reg. Date: **Nov. 16, 2018**
Int. Reg. Pub. Date: **Jun. 14, 2019**
(51) **LOC (12) Cl.** **02-07**
(52) **U.S. Cl.**
USPC **D11/200**
CPC **A43C 5/00** (2013.01)
(58) **Field of Classification Search**
USPC D2/609, 639, 946, 973, 999; D8/349,
D8/354, 355, 356, 382, 383, 396;
D11/200
CPC A43C 5/00; A43D 100/02; A44B 13/007;
A44B 13/0076; A44B 13/0082; A44B
13/0088; A44B 17/0017; A44B 1/44;
Y10T 24/45911; Y10T 24/45927; Y10T
24/3617; Y10T 24/3698
See application file for complete search history.

(56) **References Cited**
U.S. PATENT DOCUMENTS
4,664,574 A * 5/1987 Kasai A44B 13/007
411/508
4,698,881 A * 10/1987 Watanabe A44B 17/0088
24/113 MP
5,029,879 A * 7/1991 Strang, Sr. F16L 41/088
277/606

5,769,144 A * 6/1998 Carter A47H 13/02
160/330
D402,354 S * 12/1998 Strong D23/259
D422,307 S * 4/2000 Whaley D19/27
D442,064 S * 5/2001 Chung D8/356
6,757,945 B2 * 7/2004 Shibuya A47G 27/0418
16/8
D623,045 S * 9/2010 Moncade D8/354
D634,520 S * 3/2011 Choi D2/902
7,945,992 B2 * 5/2011 Parisi B60N 3/046
16/4
D666,798 S * 9/2012 Now D2/969
D690,336 S * 9/2013 Gjertsen D15/144
D707,439 S * 6/2014 DeVecchio D2/973
D714,531 S * 10/2014 Guglielmo D2/946
D722,486 S * 2/2015 Wang D8/355
9,273,707 B2 * 3/2016 Lee A44B 13/0076
D765,957 S * 9/2016 Dupuy D2/946
D837,685 S * 1/2019 Miki D11/200
D871,255 S * 12/2019 Williamson D11/222
2006/0005363 A1 * 1/2006 Reiter A44B 17/0017
24/459

* cited by examiner

Primary Examiner — Richard E Chilcot

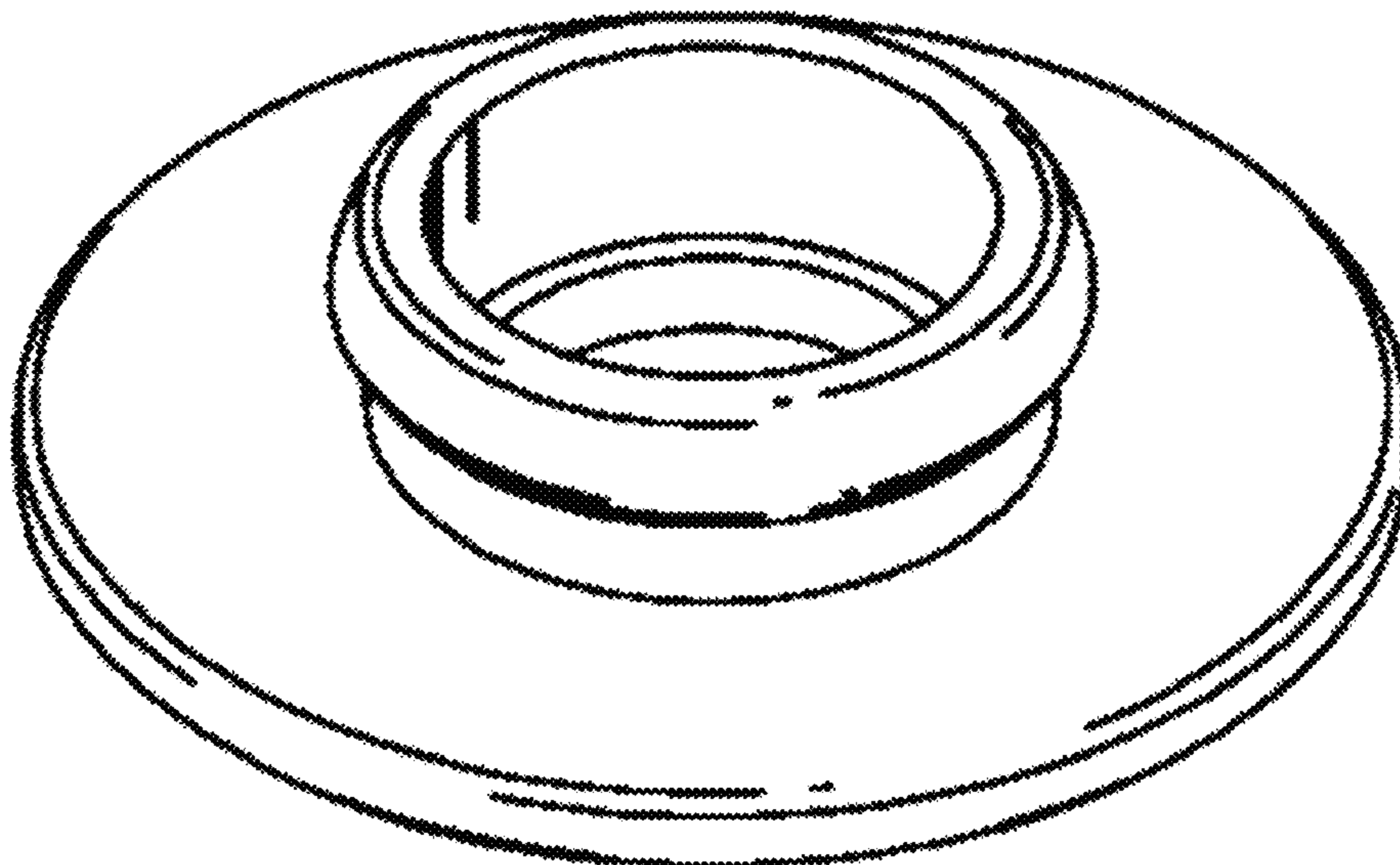
(57) **CLAIM**

The ornamental design for an eyelet, as shown and described.

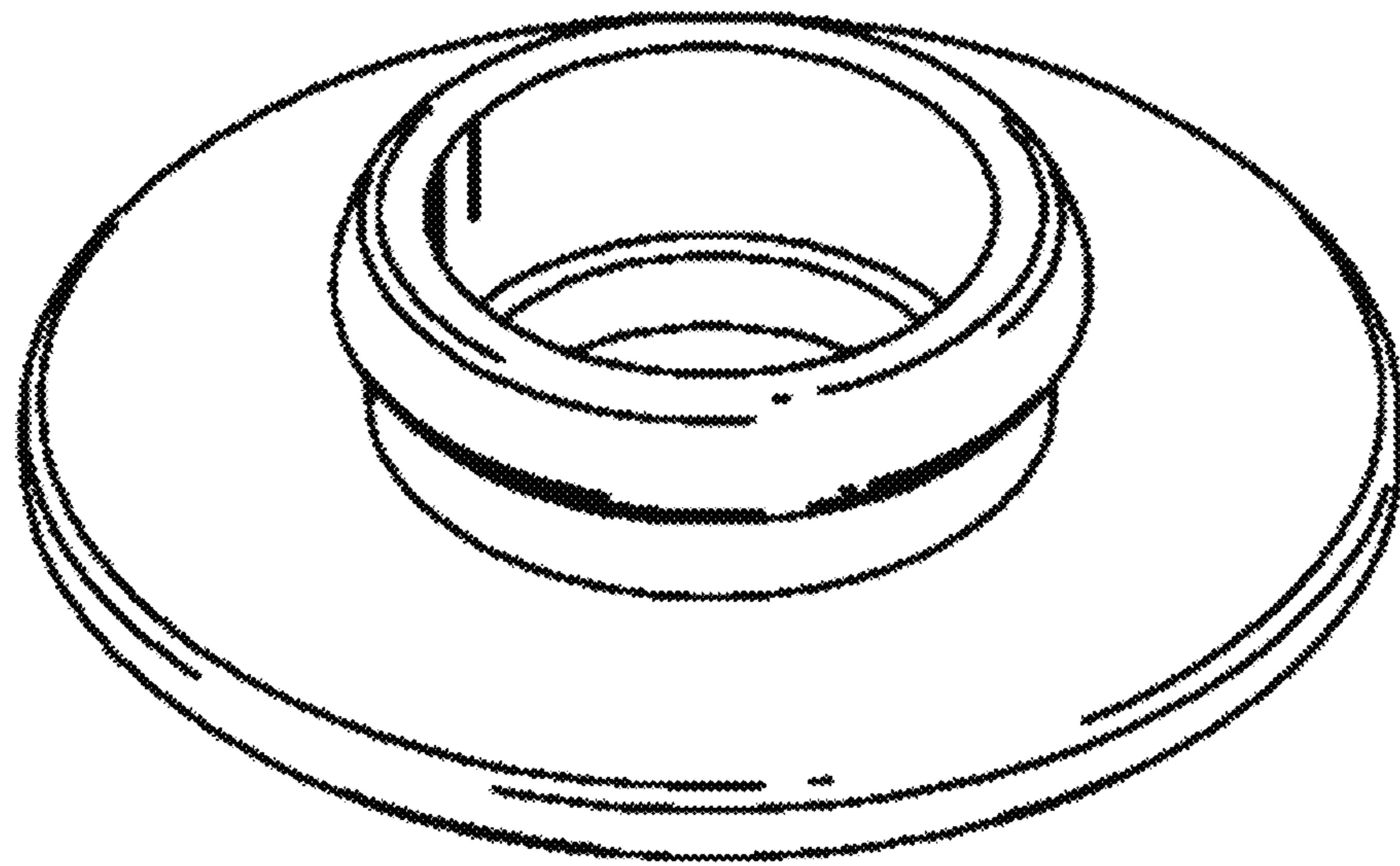
DESCRIPTION

1. Eyelet
1.1: Perspective view;
1.2: Side view;
1.3: Top view;
1.4: Bottom view
1.5: Another side view; and
1.6: Cross-sectional view along line A-A.
The letters ("A") and the arrows in reproduction 1.3 are only to show a part of cross section and form no part of the claimed design.

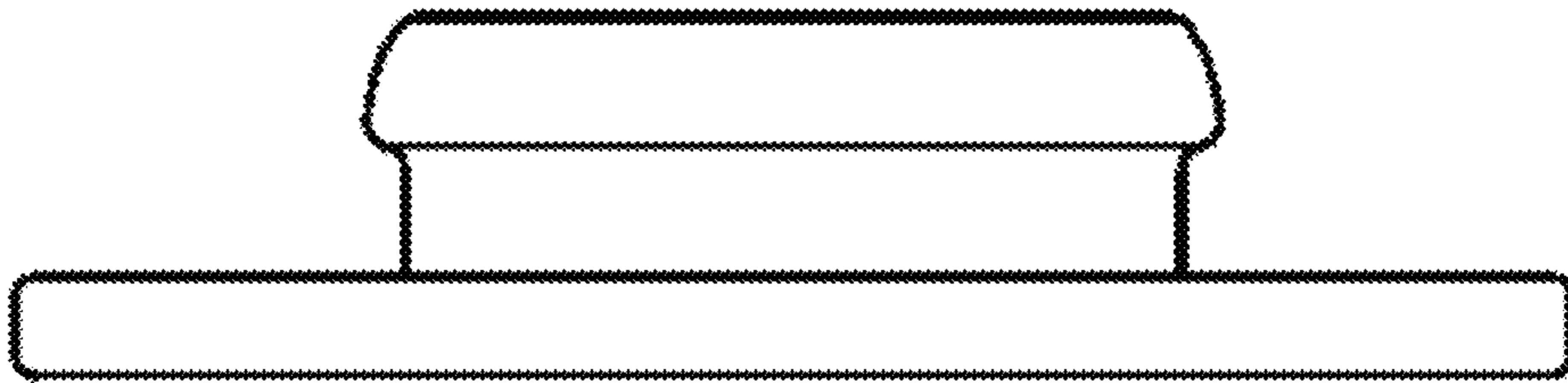
1 Claim, 6 Drawing Sheets



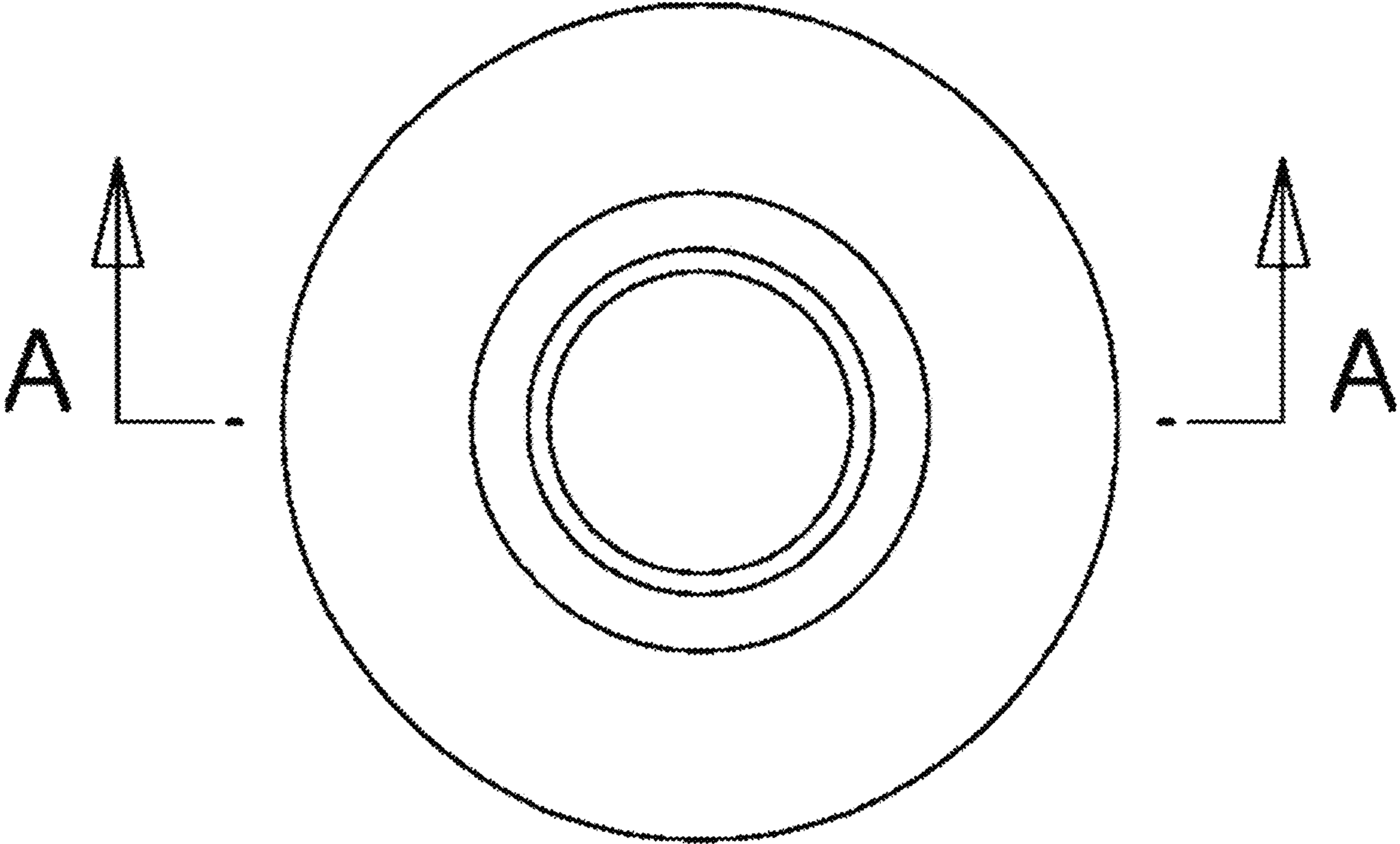
1.1



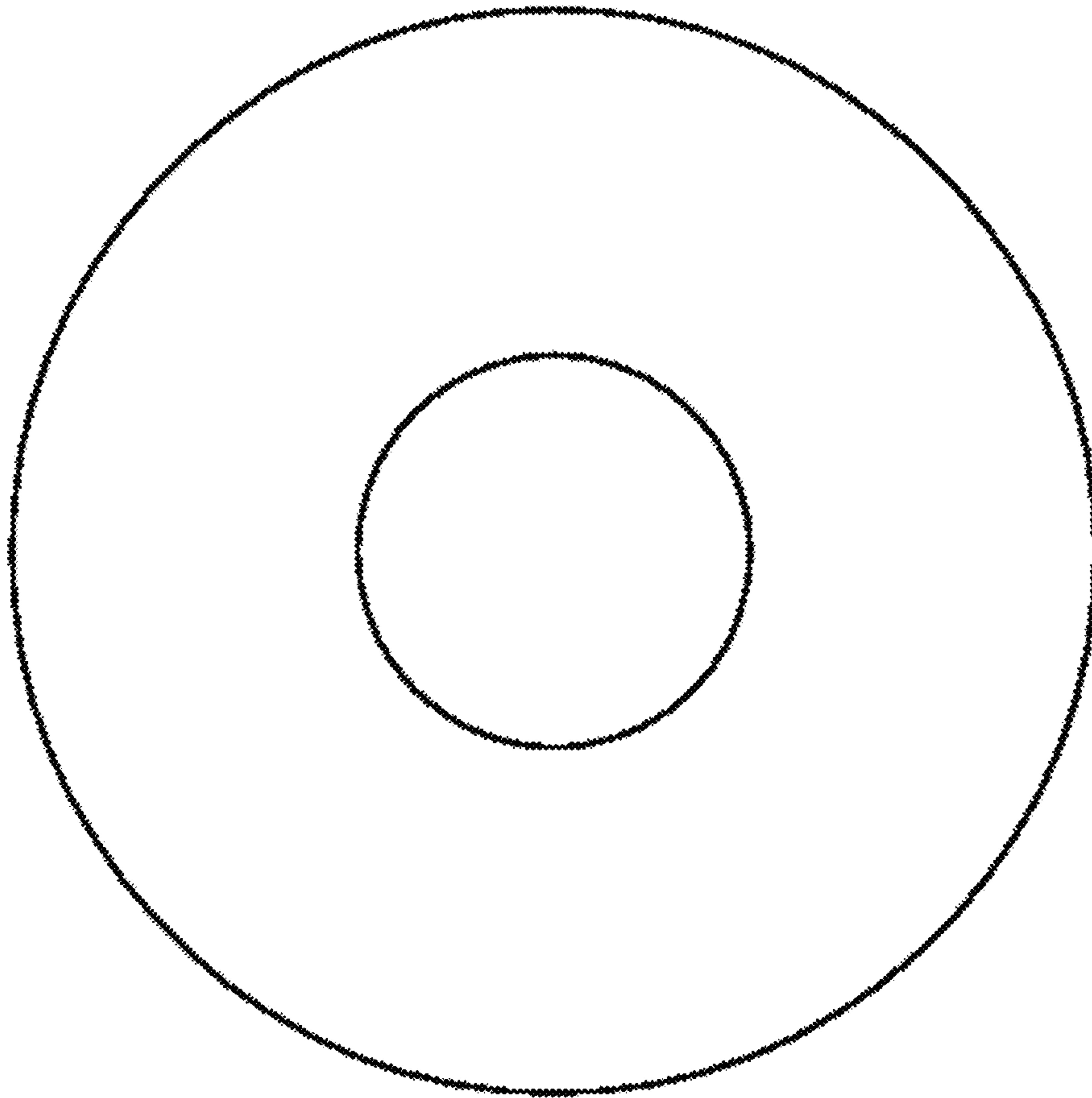
1.2



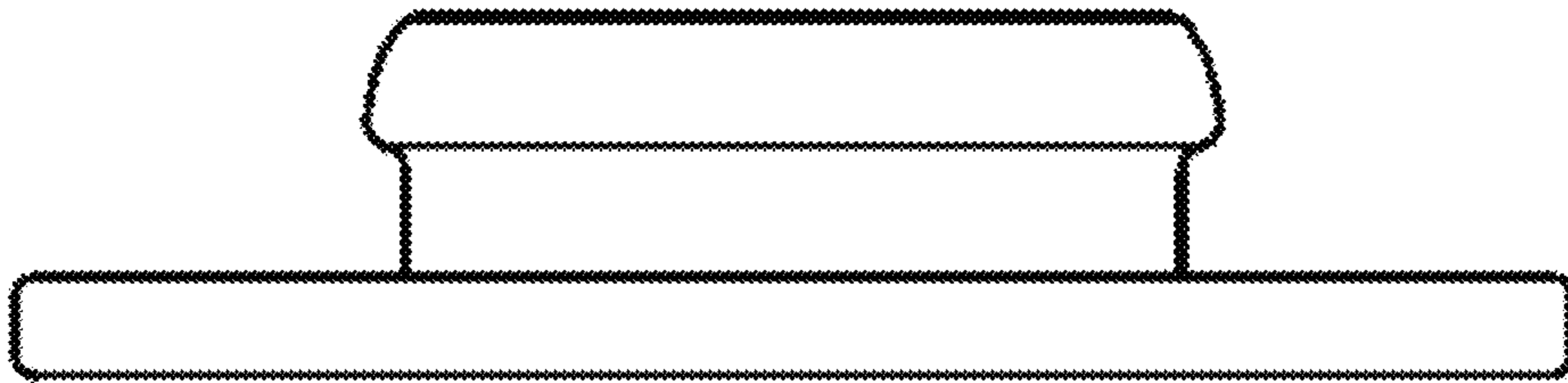
1.3



1.4



1.5



1.6

