



US00D891291S

(12) **United States Design Patent**
Grinnell

(10) **Patent No.:** **US D891,291 S**

(45) **Date of Patent:** **** Jul. 28, 2020**

(54) **BELT TAIL KEEPER**

(71) Applicant: **Grant Grinnell**, Chicago, IL (US)

(72) Inventor: **Grant Grinnell**, Chicago, IL (US)

(**) Term: **15 Years**

(21) Appl. No.: **29/657,087**

(22) Filed: **Jul. 19, 2018**

(51) **LOC (12) Cl.** **02-07**

(52) **U.S. Cl.**
USPC **D11/200**

(58) **Field of Classification Search**

USPC D2/624-640, 853, 976, 705; D3/24, 213,
D3/215, 216, 230, 222, 202; D8/14, 16,
D8/19, 331, 343, 349, 356, 358, 359, 360,
D8/363, 366, 371, 382, 394, 395, 372;
D10/32; D11/1-3, 87, 93, 200, 201,
D11/206-210, 212-219, 220, 230-237,
D11/78.1, 202; D29/100-101.5, 122,
D29/129; D30/139, 152, 153; D19/65

(Continued)

(56) **References Cited**

U.S. PATENT DOCUMENTS

37,783 A * 2/1863 Watkins A01K 73/06
24/684
1,146,645 A * 7/1915 Morehouse A44B 99/00
24/559

(Continued)

FOREIGN PATENT DOCUMENTS

DE 202015104372 U1 11/2015
WO 1994003078 A1 2/1994

OTHER PUBLICATIONS

Magnetic Bottle Opener Holder with Belt Clip, available as early as Nov. 14, 2014, [online], [site visited Jan. 17, 2020]. Retrieved from url:logobarproducts.com/magnetic-clip-for-bottle-openers (Year: 2014).*

(Continued)

Primary Examiner — Michelle E. Wilson

Assistant Examiner — Tracey J Bell

(74) *Attorney, Agent, or Firm* — Lesley A. Wallerstein, LLC

(57) **CLAIM**

The ornamental design for an belt tail keeper, as shown and described.

DESCRIPTION

FIG. 1 is an exploded perspective front view of an belt tail keeper, according to the present invention.

FIG. 2 is a perspective front view of the belt tail keeper of FIG. 1.

FIG. 3 is an exploded front view of the belt tail keeper of FIG. 1.

FIG. 4 is an exploded back view of the belt tail keeper of FIG. 1.

FIG. 5 is an exploded left view of the belt tail keeper of FIG. 1.

FIG. 6 is an exploded right view of the belt tail keeper of FIG. 1.

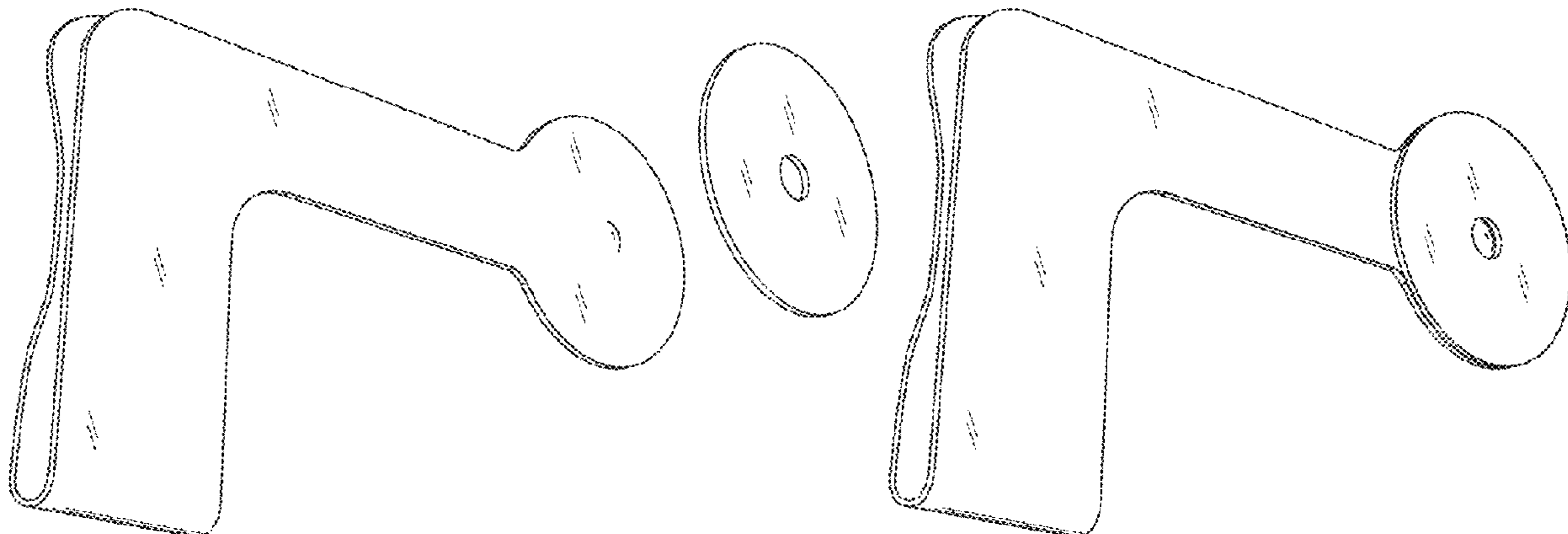
FIG. 7 is an exploded top view of the belt tail keeper of FIG. 1.

FIG. 8 is an exploded bottom view of the belt tail keeper of FIG. 1.

FIG. 9 is a top perspective view of the belt tail keeper of FIG. 1, shown in an open position. The belt drawn in phantom depicts an environmental structure which forms no part of the claimed design; and,

FIG. 10 is a top perspective view of the belt tail keeper of FIG. 1, shown in a closed position. The belt drawn in phantom depicts an environmental structure which forms no part of the claimed design.

1 Claim, 7 Drawing Sheets



US D891,291 S

(58) Field of Classification Search

CPC A44B 11/00; A44B 11/02; A44B 11/04; A44B 11/05; A44B 11/06; A44B 11/10; A44B 11/14; A44B 11/18; A44B 11/22; A44B 11/26; A44B 11/125; A44B 11/233; A44B 11/001; A44B 11/005; A44B 11/006; A44B 11/2503; A44B 11/2507; A44B 11/2526; A44B 11/2553; A44B 11/2592; A44B 11/2519; A44B 11/2452; A44B 13/00; A44B 99/00; A44B 11/2561; A41F 1/008; A41F 9/002; A41F 9/007; A41F 15/002; A41F 1/002; B60R 22/30; B60R 22/32; B60R 22/002; B60R 2022/1806; B60R 2022/1812; B60R 2022/281; B65D 63/16; A62B 35/00; Y10S 224/913; F41C 33/0227; F41C 33/007; F41C 33/041; A45F 5/021; F41A 17/54; F41A 17/02; F41A 17/08

See application file for complete search history.

(56) References Cited

U.S. PATENT DOCUMENTS

2,783,517 A * 3/1957 Bernstein A44B 11/12 24/191
3,729,780 A * 5/1973 White A44B 99/00 24/704.2
D239,147 S * 3/1976 Karlson D11/215

D327,149 S * 6/1992 Harper, IV D32/61
D336,448 S * 6/1993 Haines D11/202
D338,040 S * 8/1993 Hutchinson D19/65
5,251,361 A * 10/1993 Owens A41F 9/002 24/169
D349,864 S * 8/1994 Dunlap D10/32
5,367,714 A 11/1994 Hines et al.
5,682,653 A * 11/1997 Berglof G09F 1/10 24/303
7,146,651 B1 12/2006 Lapin
D570,247 S * 6/2008 Hajianpour D11/201
D636,024 S * 4/2011 Pascale D19/65
D649,900 S * 12/2011 Landsman A44C 5/0015 D11/1
D675,903 S * 2/2013 Rothbaum D8/356
9,427,036 B2 8/2016 Key
D823,671 S * 7/2018 Rothbaum D8/356
D850,316 S * 6/2019 Ennis D11/3
2012/0180197 A1 7/2012 Cosky
2012/0216374 A1 8/2012 Manuello
2013/0104292 A1 5/2013 Su
2015/0237938 A1 8/2015 O'Neill
2015/0257493 A1 9/2015 Skipper et al.
2016/0010673 A1 1/2016 Russell-Clarke et al.
2017/0127813 A1 5/2017 Calman et al.
2018/0153266 A1 * 6/2018 Alturk A44B 11/006

OTHER PUBLICATIONS

Liszewski, Andrew. https://gizmodo.com/the-magic-of-magnets-can-now-even-keep-your-pants-up-1450954238. Oct. 28, 2013.

* cited by examiner

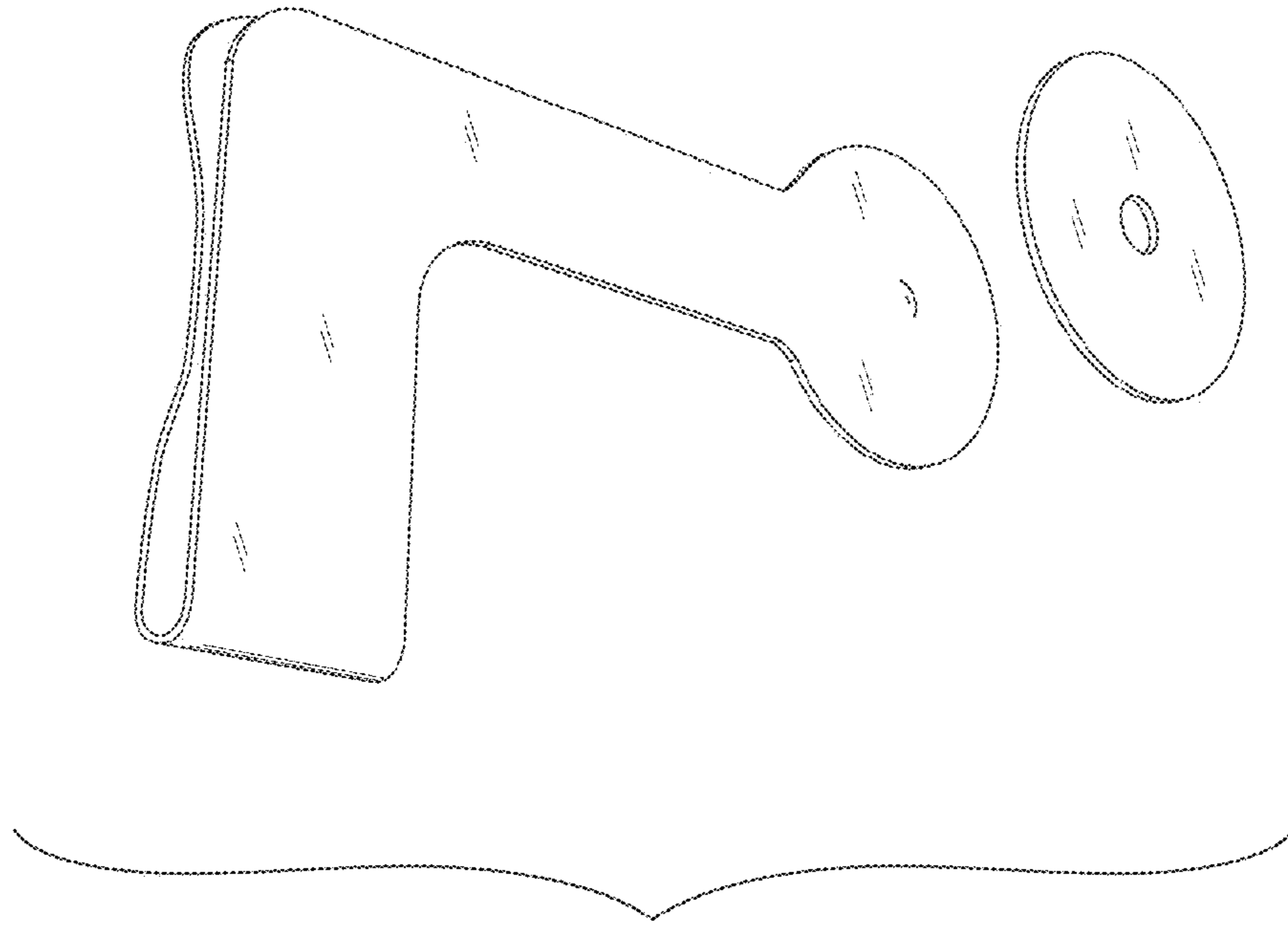


FIG. 1

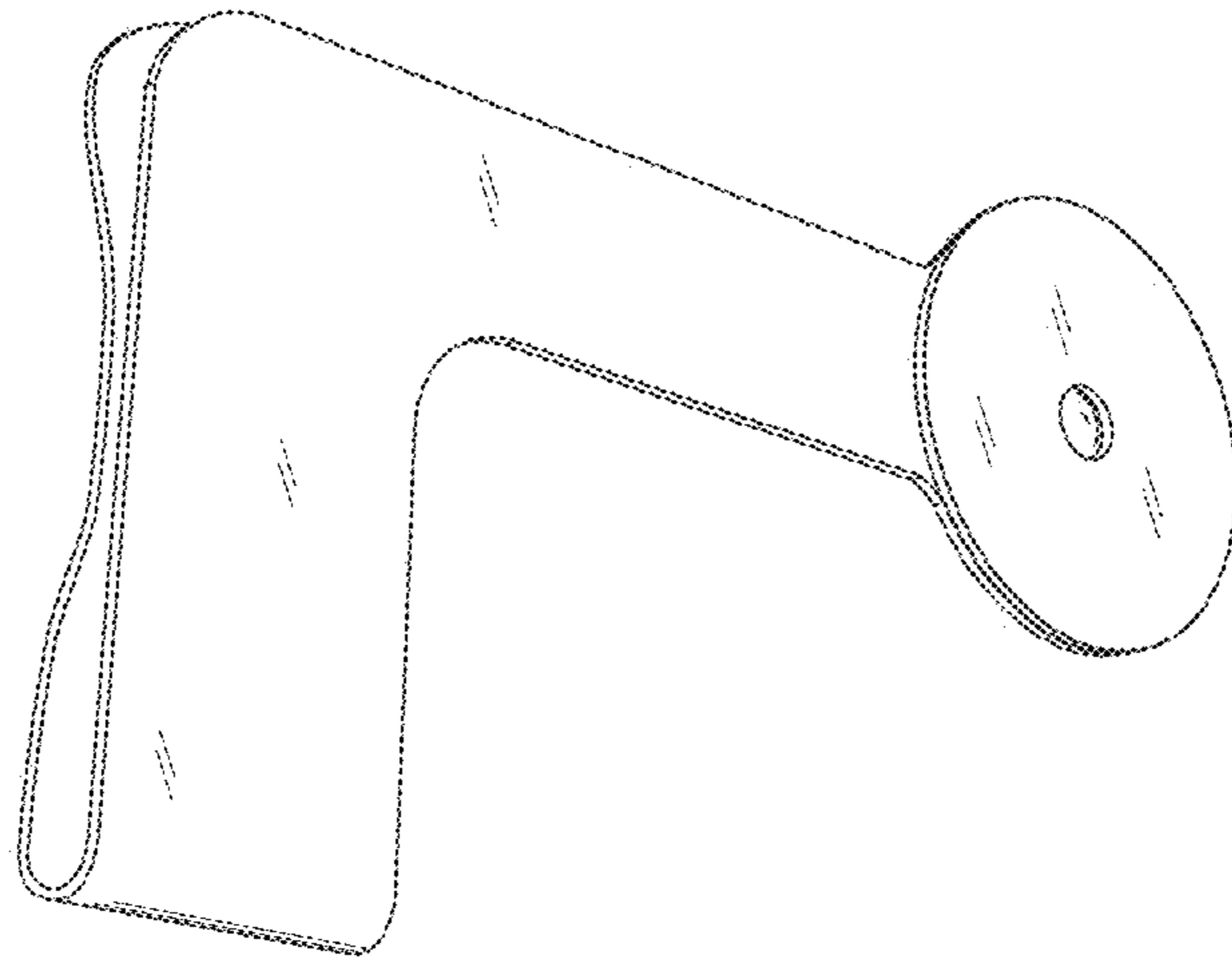


FIG. 2

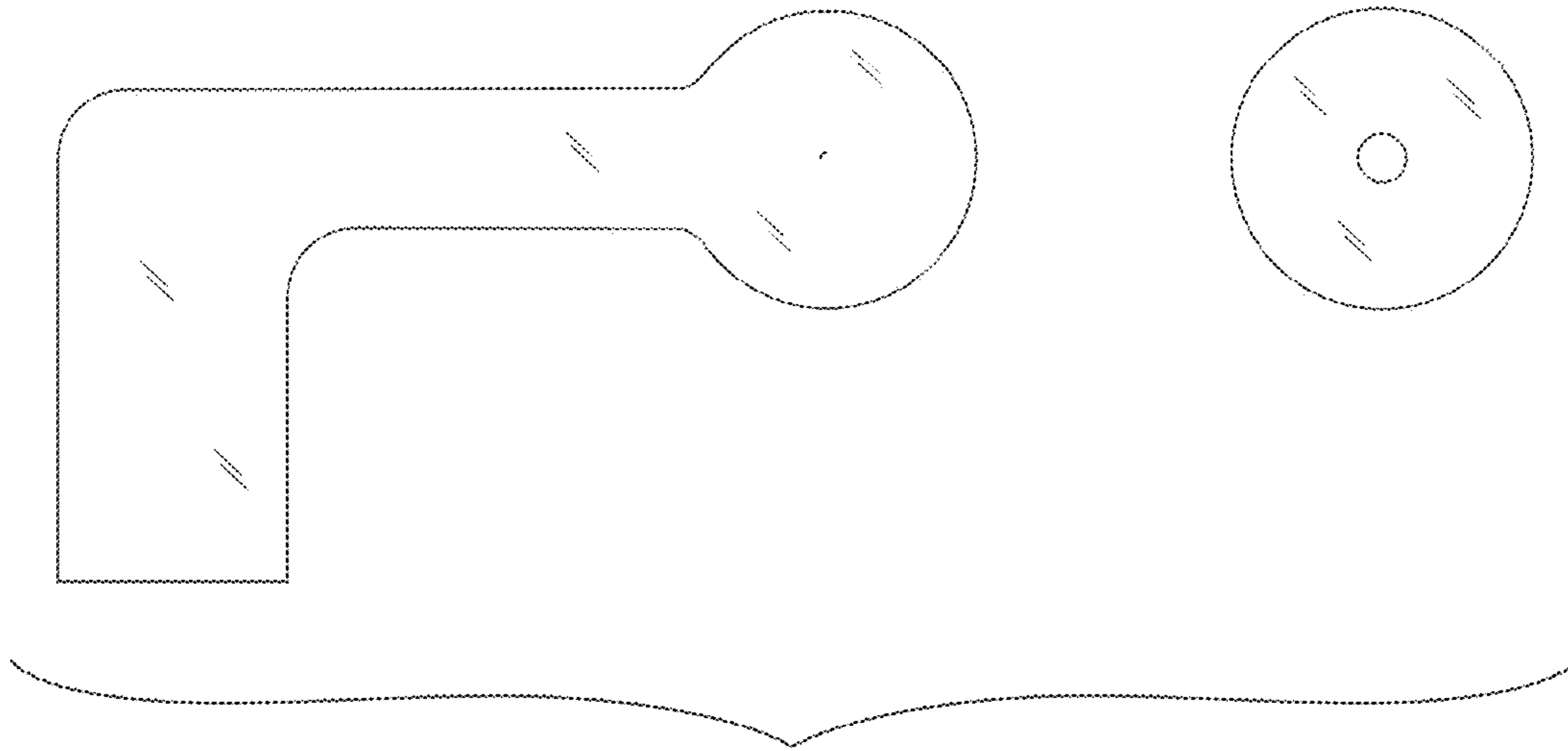


FIG. 3

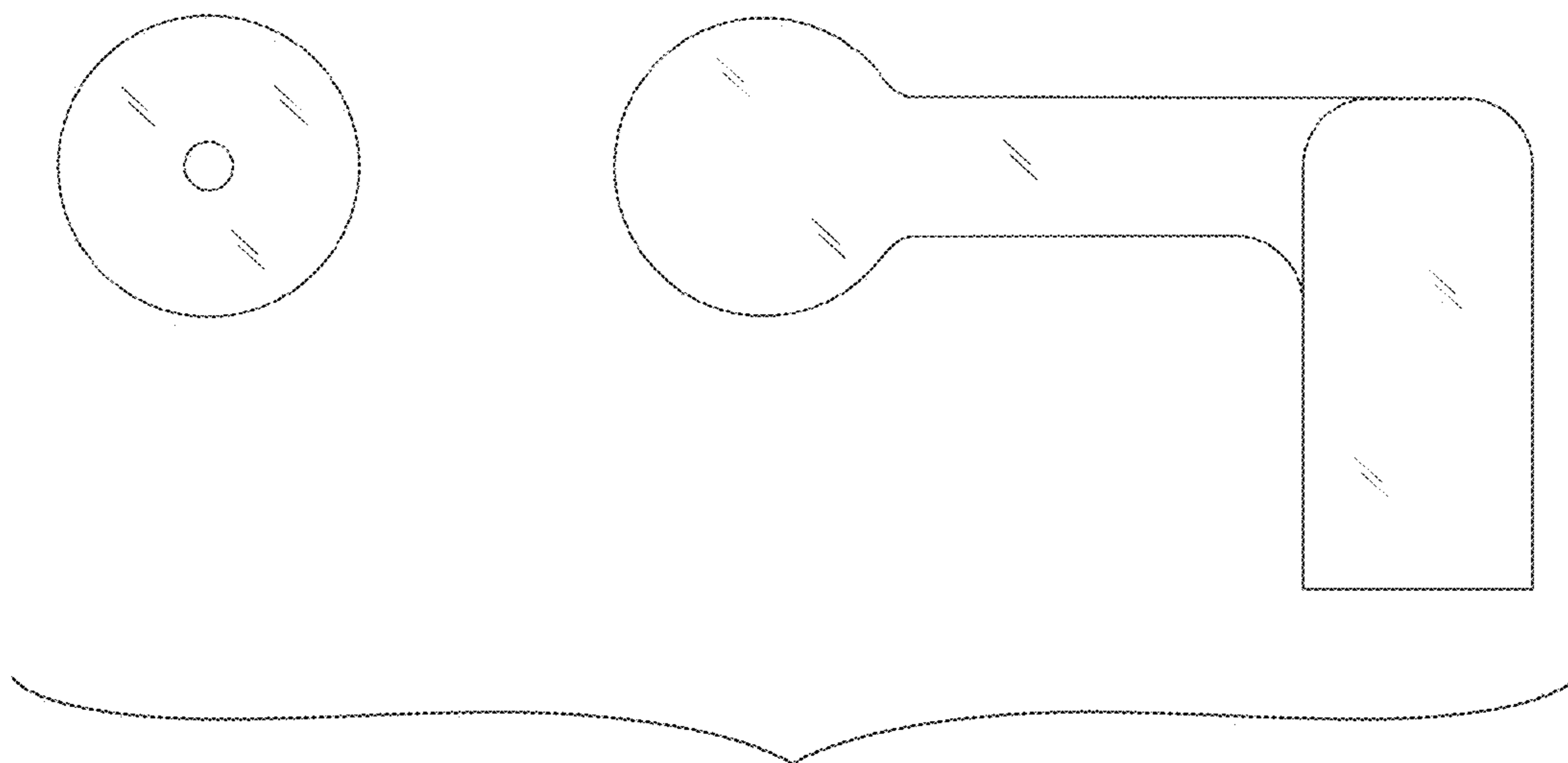


FIG. 4

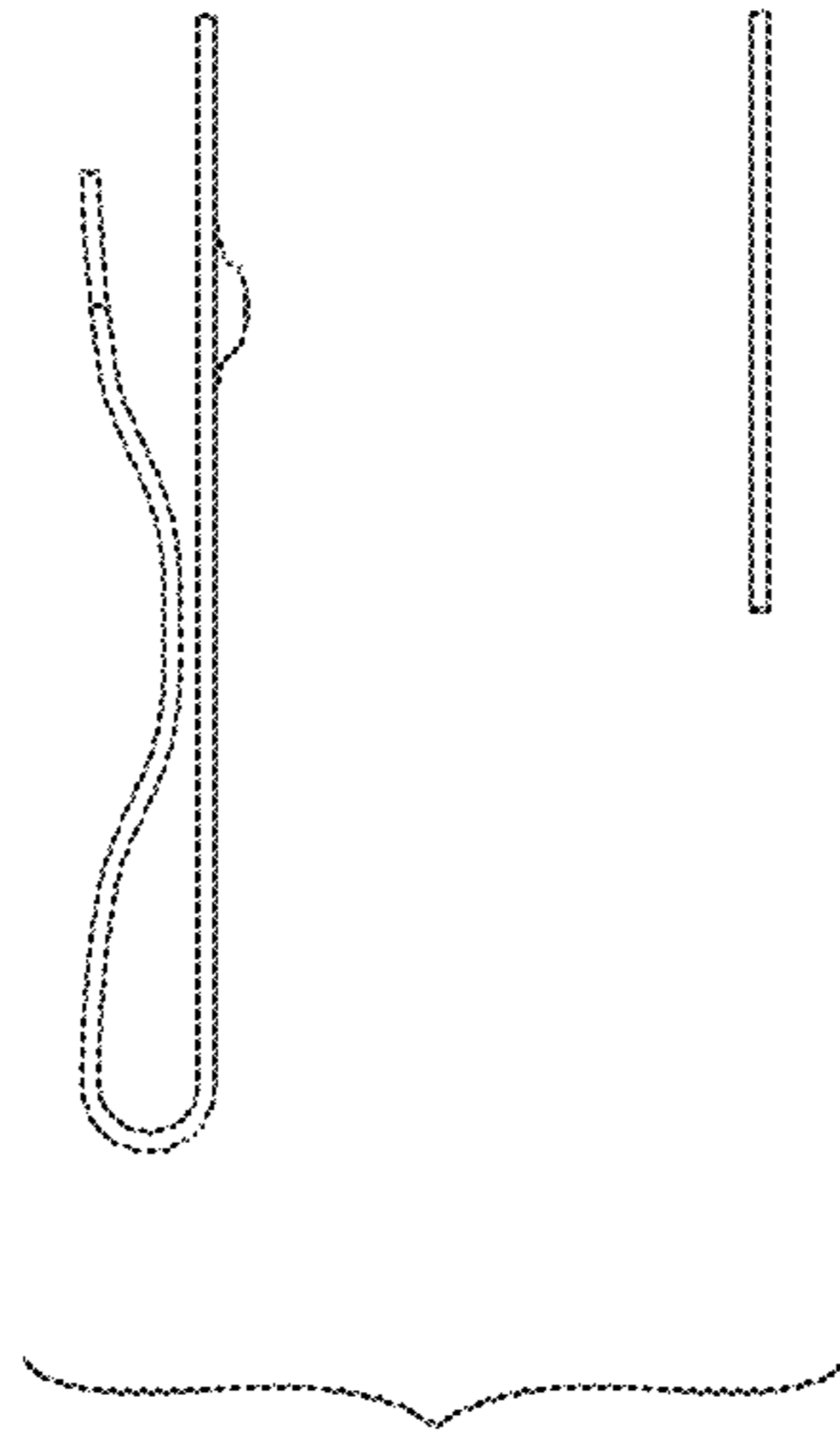


FIG. 5

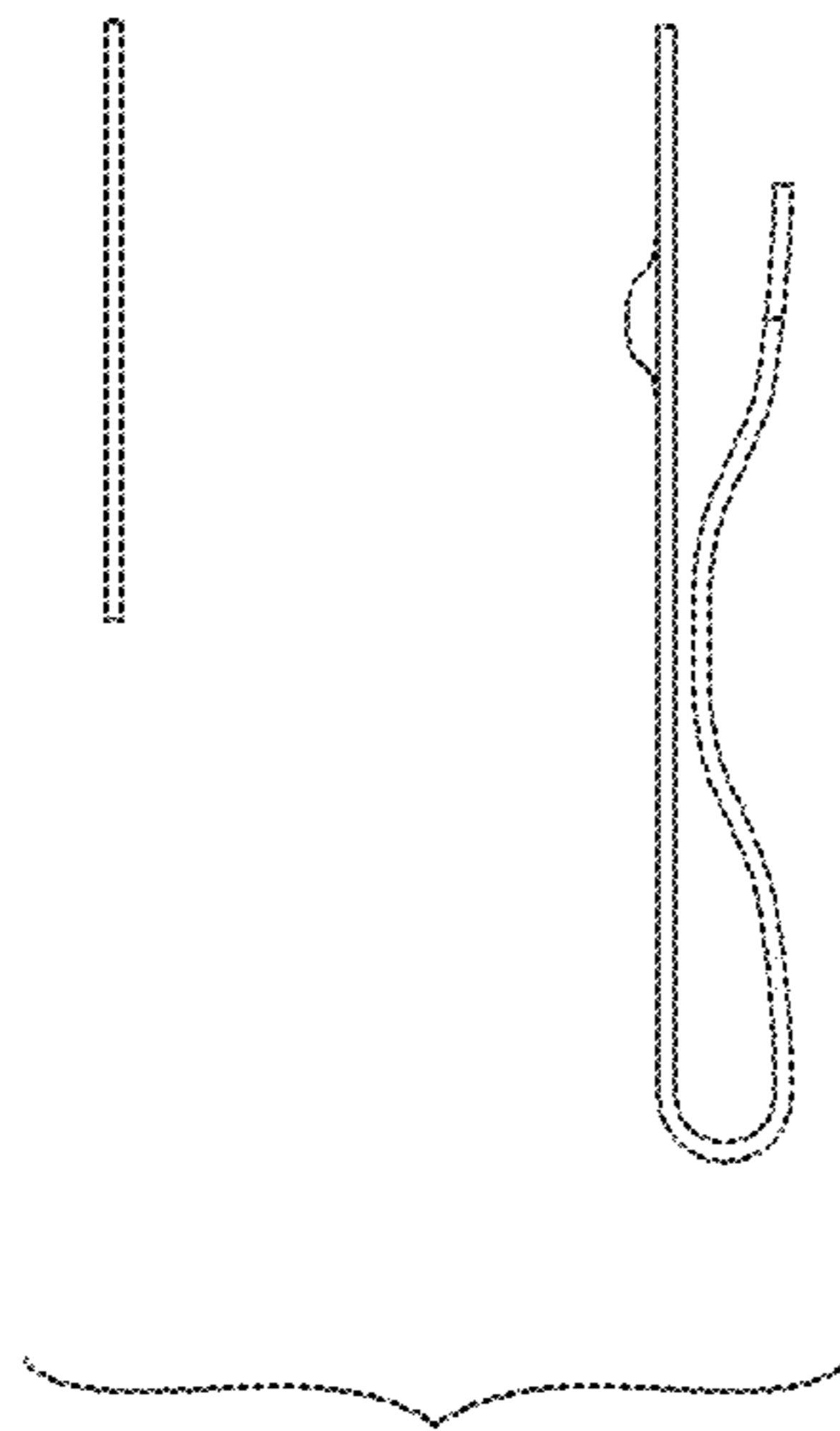


FIG. 6

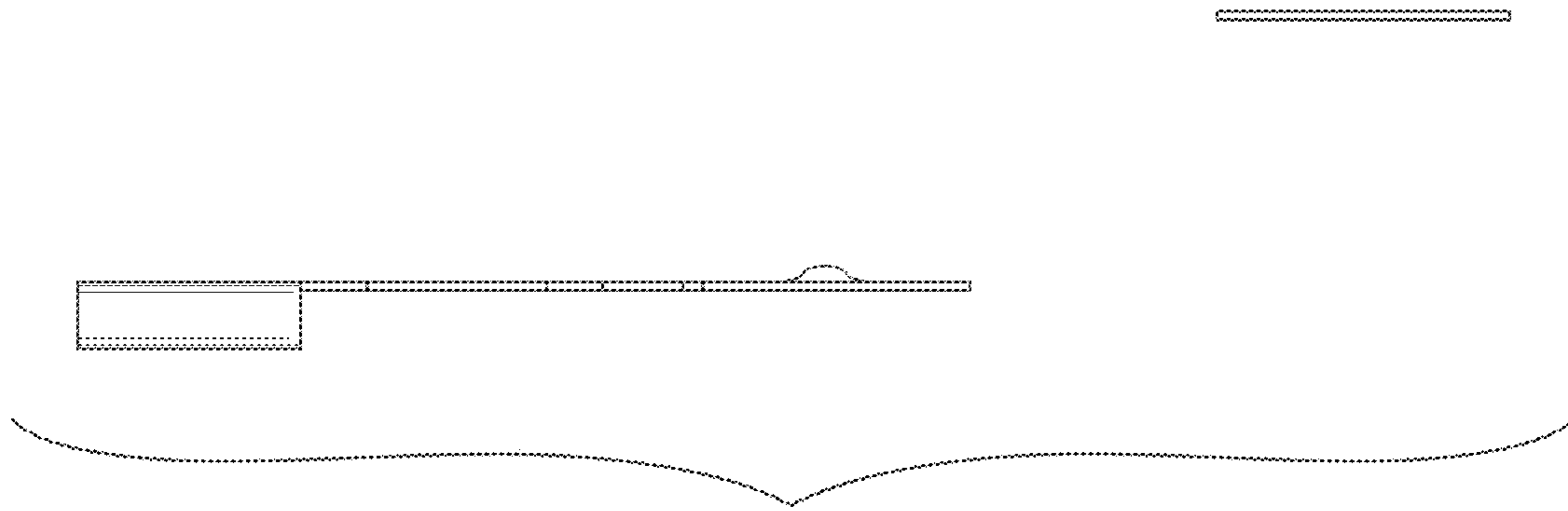


FIG. 7

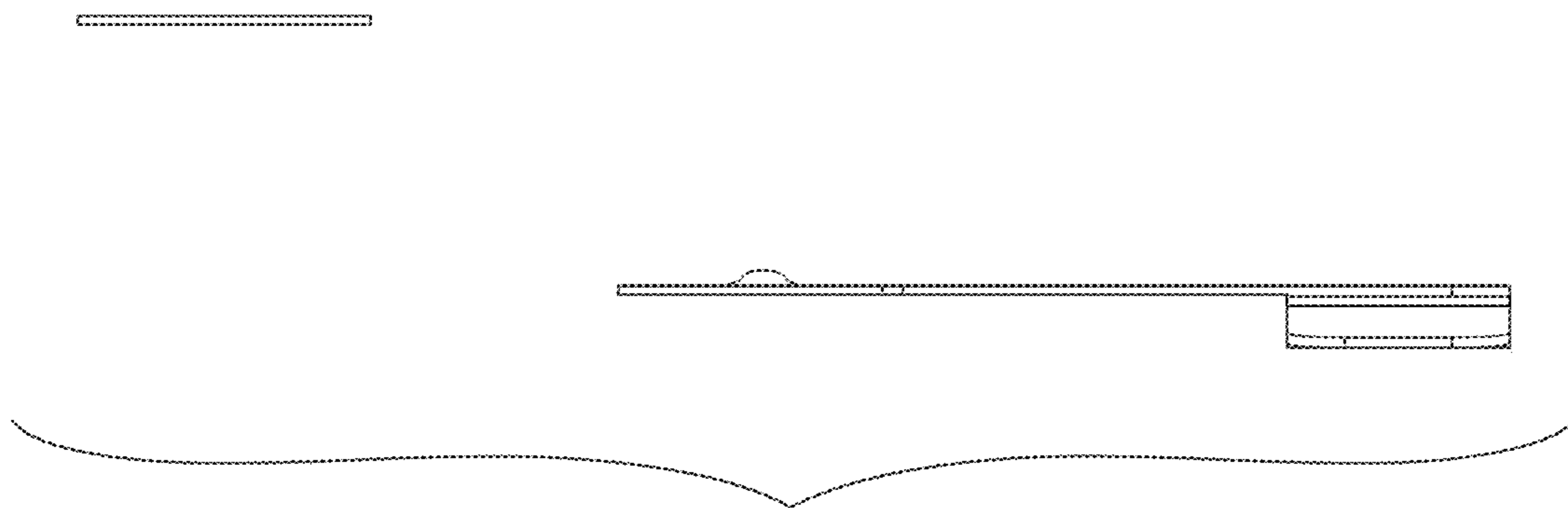


FIG. 8

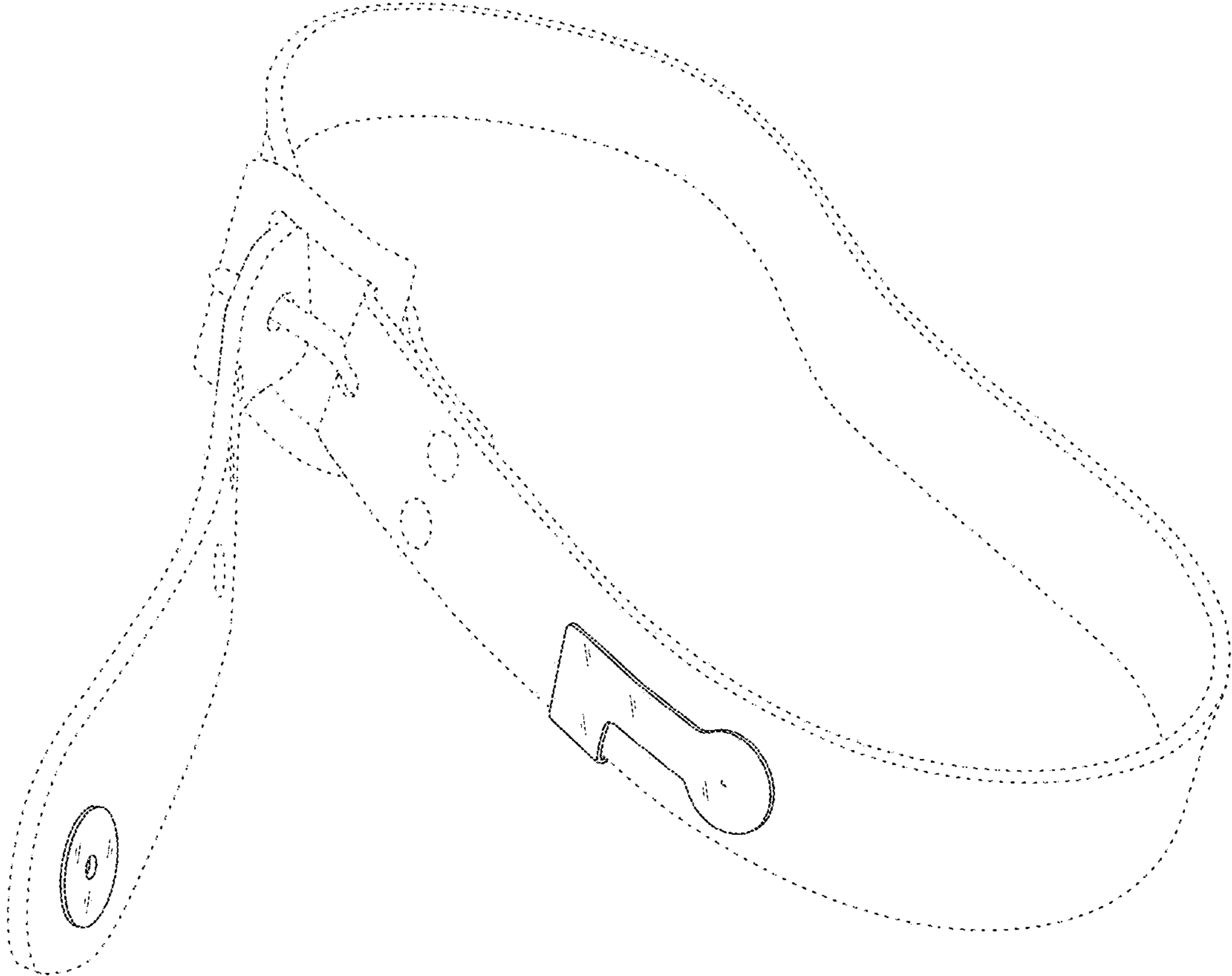


FIG. 9

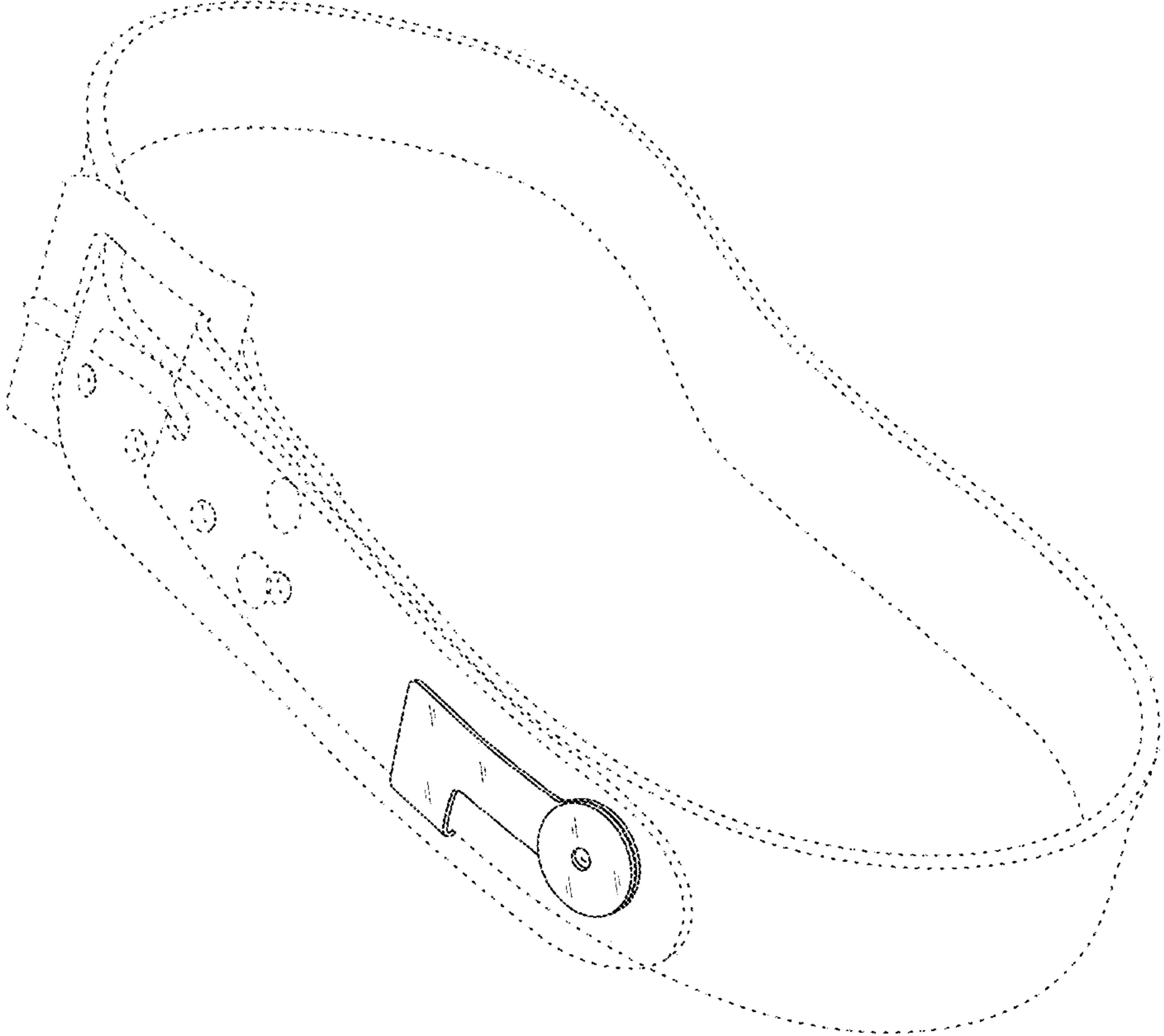


FIG. 10