



US00D891290S

(12) **United States Design Patent** (10) **Patent No.:** **US D891,290 S**
Stahl (45) **Date of Patent:** **** Jul. 28, 2020**

(54) **FLAG POLE MOUNT ASSEMBLY**
(71) Applicant: **Triple S Machining LLC**, Danville, PA (US)
(72) Inventor: **Chad Stahl**, Danville, PA (US)
(73) Assignee: **Triple S Machining LLC**, Danville, PA (US)

D566,618 S * 4/2008 James D11/182
8,453,373 B2 * 6/2013 Gordon A01K 97/10
248/534
D750,529 S * 3/2016 Power D11/183
D771,522 S * 11/2016 Grenade D11/182
10,549,799 B1 * 2/2020 Stahl B62D 53/0842
2004/0169121 A1 9/2004 Winn
2007/0044703 A1 * 3/2007 Vickroy G09F 17/00
116/173

(**) Term: **15 Years**
(21) Appl. No.: **29/662,413**

(22) Filed: **Sep. 5, 2018**
(51) **LOC (12) Cl.** **11-05**
(52) **U.S. Cl.**
USPC **D11/183**
(58) **Field of Classification Search**
USPC D11/166, 182, 183, 184; D22/147, 148
CPC G09F 17/00; G09F 2017/0008; G09F
2017/0025; G09F 2017/0041; G09F
2017/005; G09F 2017/0066; G09F
2017/0075; G09F 2017/0083

See application file for complete search history.

(56) **References Cited**

U.S. PATENT DOCUMENTS

4,593,877 A * 6/1986 van der Wyk E04H 12/32
248/230.8
RE35,731 E * 2/1998 Lach F16M 13/02
248/512
6,138,978 A 10/2000 Andersen
6,402,116 B1 6/2002 Northup
D464,499 S * 10/2002 Gharst D6/682.2
D475,677 S * 6/2003 Zucker D12/223
6,811,132 B1 * 11/2004 Ferdinand F16M 13/02
116/173

OTHER PUBLICATIONS

2-Position White Plastic Flagpole Bracket [online], [site visited Mar. 28, 2020]. Available from internet, URL: <<https://www.homedepot.com/p/Prime-Line-2-Position-White-Plastic-Flagpole-Bracket-U-9374/100564396>> (Year: 2020).*

(Continued)

Primary Examiner — Cynthia Ramirez
Assistant Examiner — Xavier Marti-Santos
(74) *Attorney, Agent, or Firm* — Barley Snyder

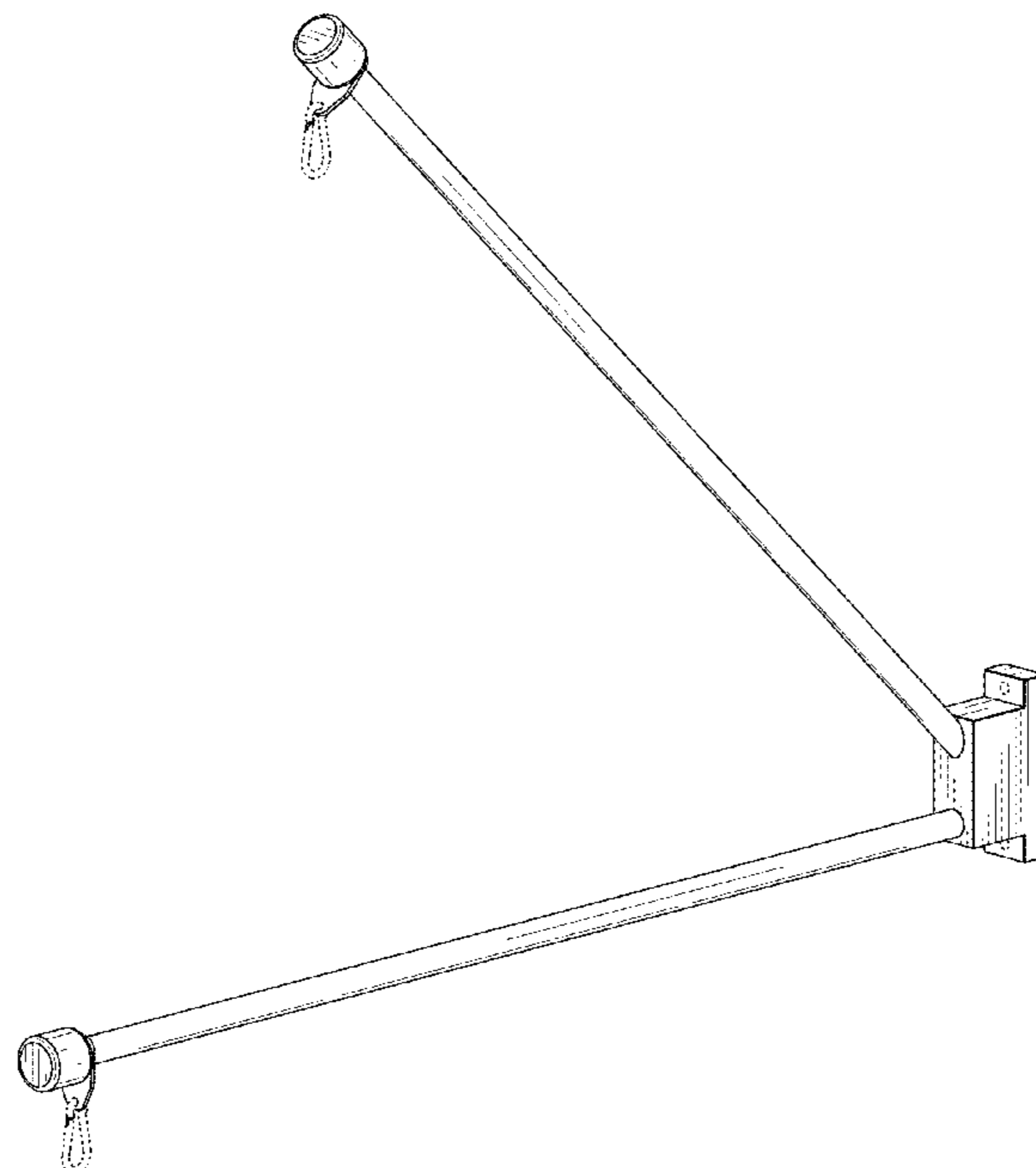
(57) **CLAIM**

The ornamental design for a flag pole mount assembly, as shown and described.

DESCRIPTION

FIG. 1 is a front, top and left side perspective view of a flag pole mount assembly;
FIG. 2 is a right side elevation view thereof;
FIG. 3 is a left side elevation view thereof;
FIG. 4 is a front elevation view thereof;
FIG. 5 is a rear elevation view thereof
FIG. 6 is a top plan view thereof;
FIG. 7 is a bottom plan view thereof; and,
FIG. 8 is a rear, bottom and right side perspective view of the flag pole mount assembly.
The broken lines show portions of the flag pole mount assembly which form no part of the claimed design.

1 Claim, 6 Drawing Sheets



(56)

References Cited

OTHER PUBLICATIONS

Dual Flag Poles & Mount—Home / Porch [online], [site visited Mar. 28, 2020]. Available from internet, URL: <<https://triplemachining.com/shop?olsPage=products%2Fdual-house-porch-flag-holder>> (Year: 2020).*

Triple S Machining, announced Jul. 14, 2019 [online], [site visited Mar. 28, 2020]. Available from internet, URL: <<https://www.facebook.com/triplesmachining/>> (Year: 2019).*

* cited by examiner

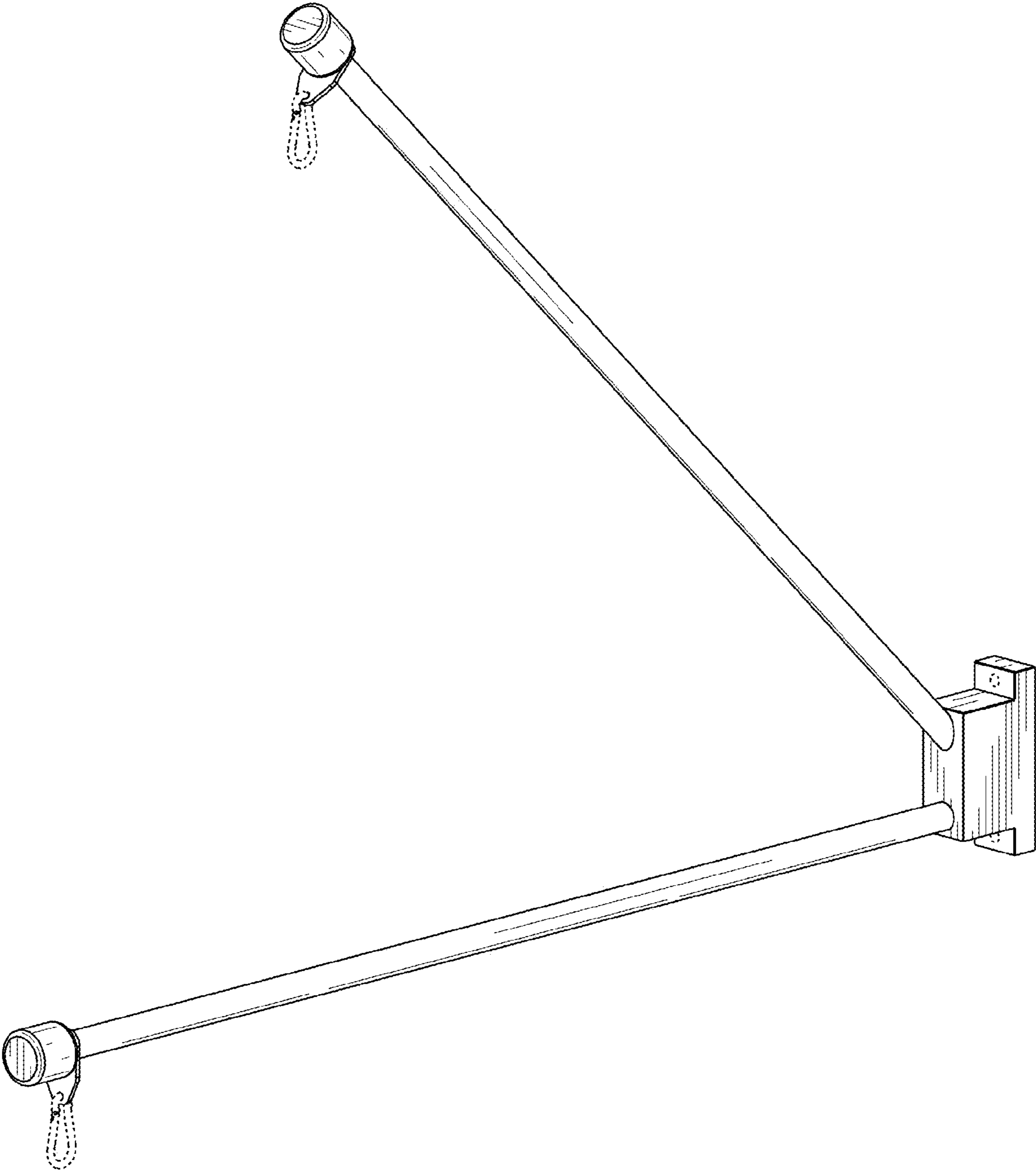


FIG. 1

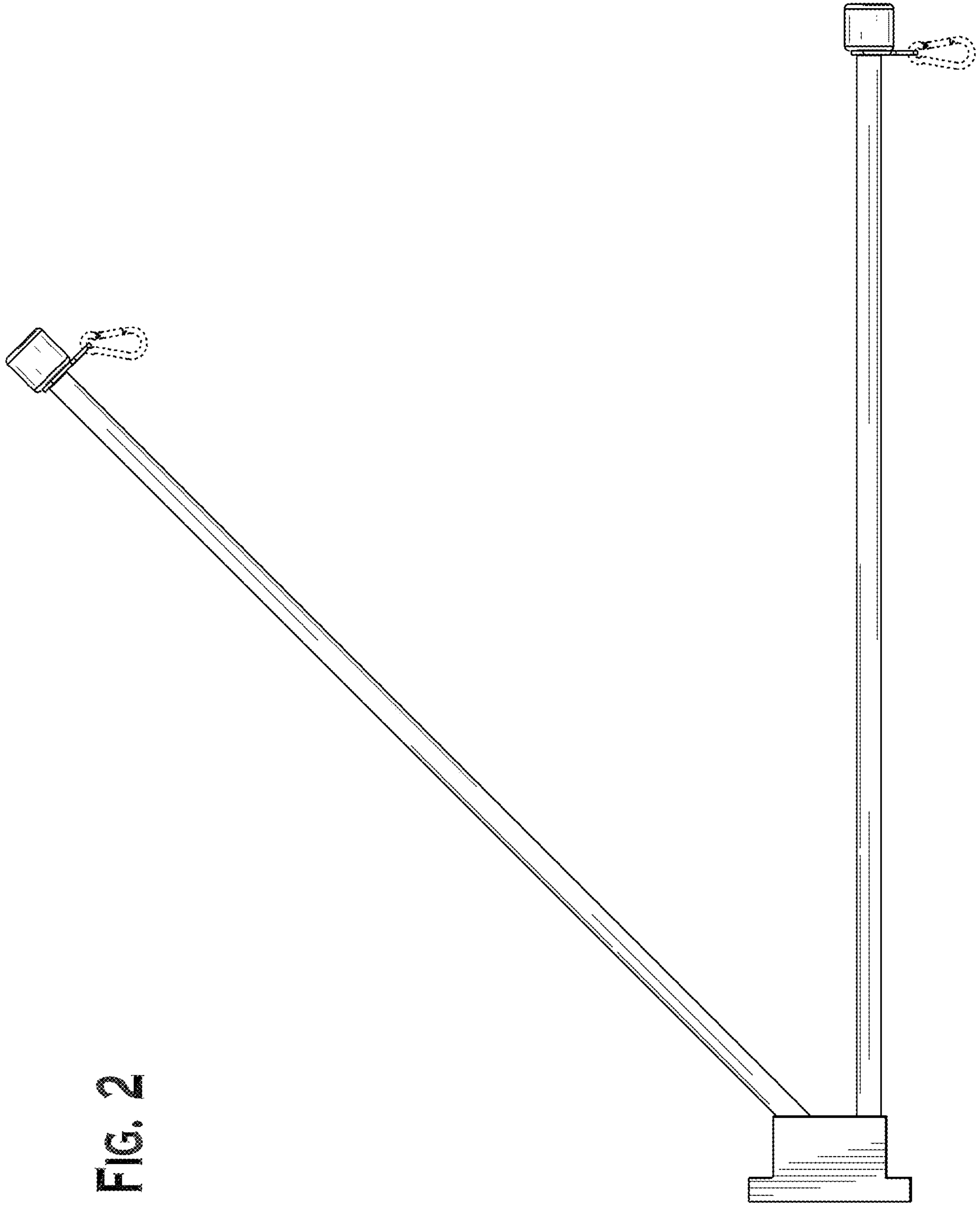


FIG. 2

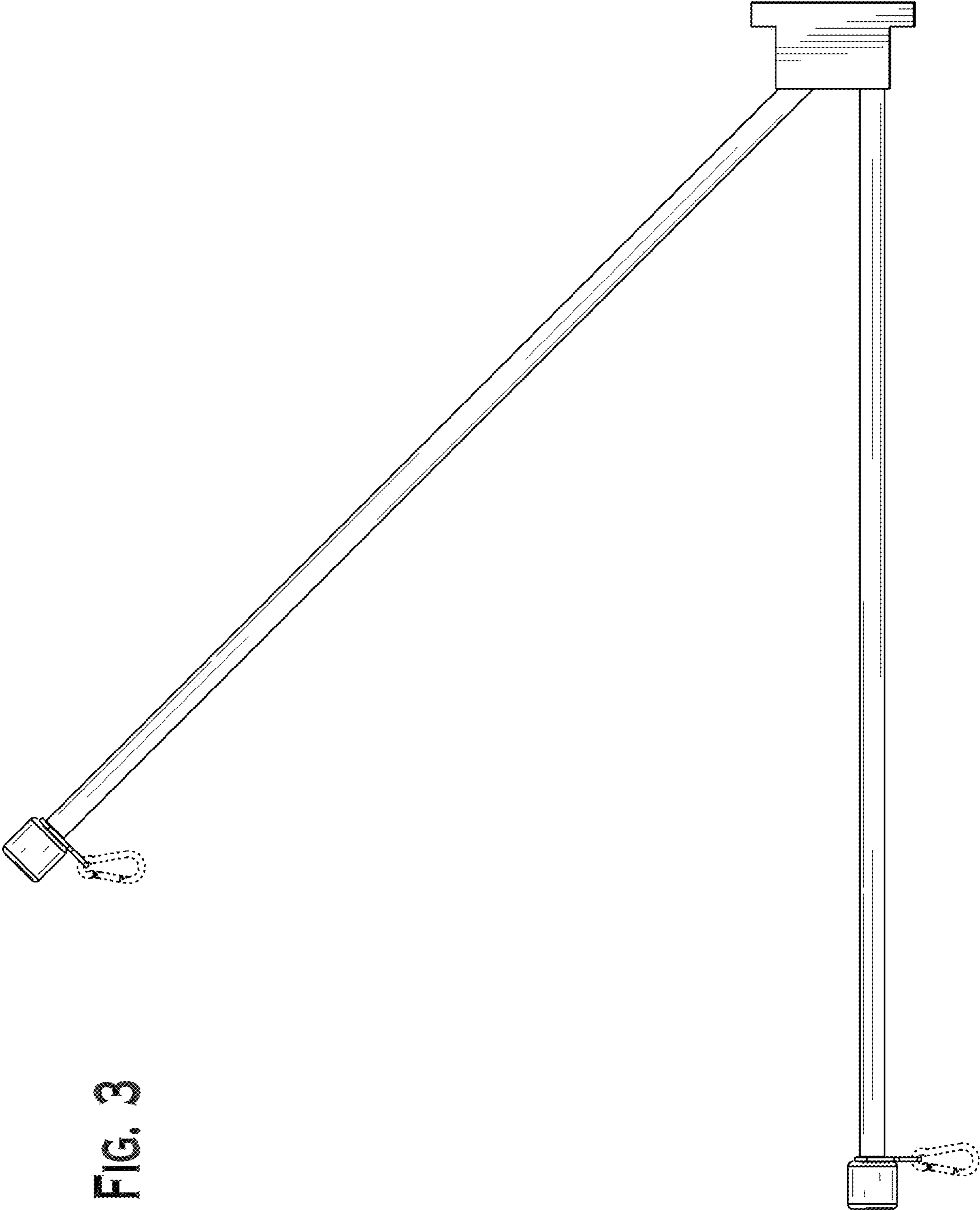


FIG. 3

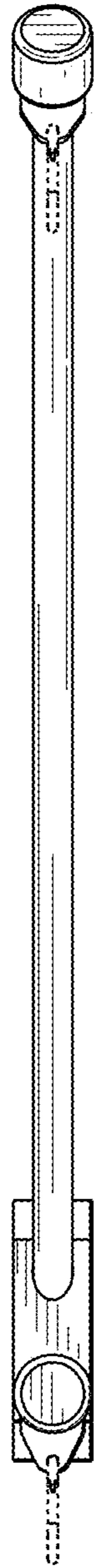


FIG. 4

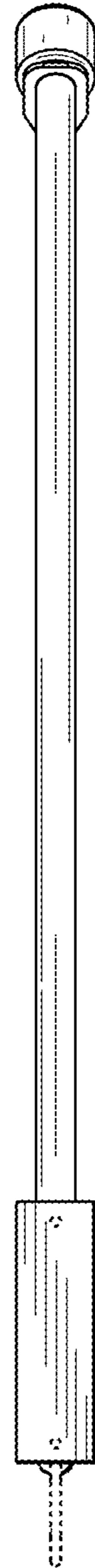


FIG. 5

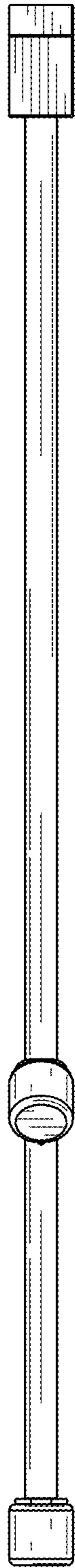


FIG. 6

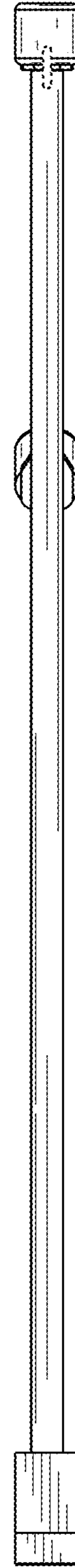


FIG. 7

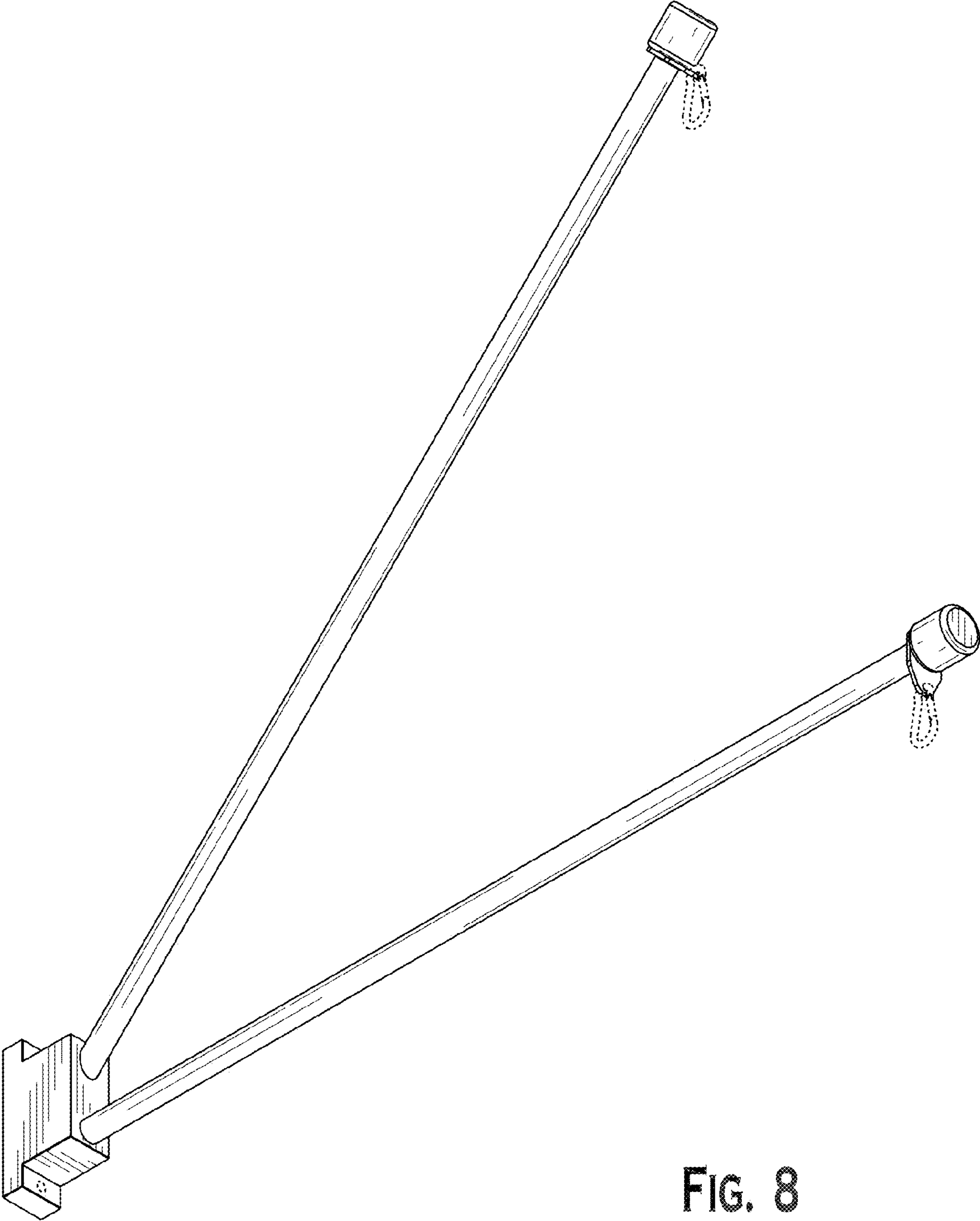


FIG. 8