



US00D891285S

(12) **United States Design Patent** (10) **Patent No.:** **US D891,285 S**  
**Tse** (45) **Date of Patent:** **\*\* Jul. 28, 2020**

- (54) **SET OF WATCH STRAPS**
- (71) Applicant: **Yi Feng Watch Co Ltd**, Hong Kong (CN)
- (72) Inventor: **Yan Chak Timothy Tse**, Hong Kong (CN)
- (73) Assignee: **Yi Feng Watch Co Ltd**, Hong Kong (CN)
- (\*\*) Term: **15 Years**
- (21) Appl. No.: **29/669,131**
- (22) Filed: **Nov. 6, 2018**
- (51) **LOC (12) Cl.** ..... **11-01**
- (52) **U.S. Cl.**  
USPC ..... **D11/3**
- (58) **Field of Classification Search**  
USPC ..... D11/1-6, 9-25, 40-45, 48, 78.1, 79, 80, D11/81, 86, 87, 93, 94, 26, 38, 39, D11/21-25; D10/32, 37; 116/321, 322; D19/1-8; D24/194; D30/160; D14/344; D21/391  
CPC ..... A44C 5/14; A44C 5/0053; A44C 5/0069; A44C 5/0076; A44C 5/0007; A44C 5/0015; A44C 5/0023; A44C 5/003; A44C 5/0061; A44C 5/12; A44C 5/147; A44C 5/18;

(Continued)

- (56) **References Cited**  
U.S. PATENT DOCUMENTS  
1,234,204 A \* 7/1917 O'Brien ..... A44C 23/00 434/246  
3,155,987 A \* 11/1964 McGill ..... A44B 11/24 2/322

(Continued)

**OTHER PUBLICATIONS**

This Super Stylish Smartwatch Was Designed for the Blind, Dec. 17, 2015, [online], [site visited Dec. 27, 2019]. Retrieved from url:

<https://www.popularmechanics.com/technology/gadgets/a18605/dot-smart-watch-designed-for-the-blind/> (Year: 2015).\*

*Primary Examiner* — Michelle E. Wilson  
*Assistant Examiner* — Tracey J Bell  
(74) *Attorney, Agent, or Firm* — Wayne & Ken, LLC; Tony Hom

(57) **CLAIM**

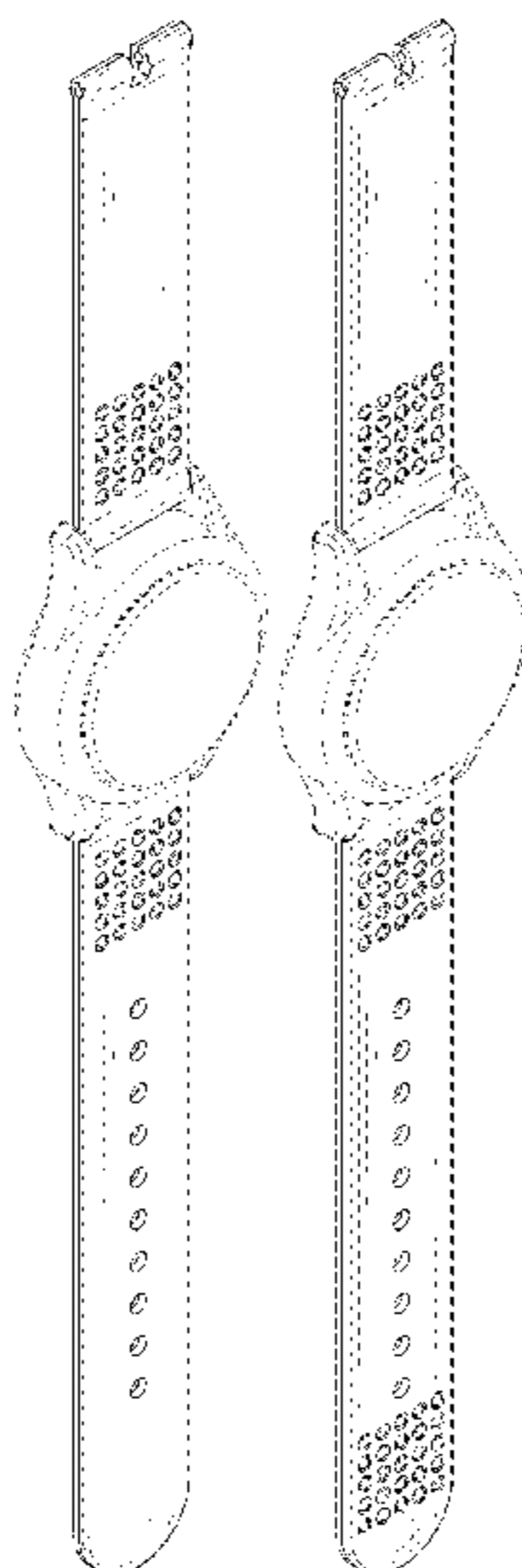
The ornamental design for a set of watch straps, as shown and described.

**DESCRIPTION**

FIG. 1 is a front perspective view of a set of watch straps showing my new design in a first embodiment;  
 FIG. 2 is a back perspective view thereof;  
 FIG. 3 is a front view thereof;  
 FIG. 4 is a back view thereof;  
 FIG. 5 is a left view thereof;  
 FIG. 6 is an enlarged top view thereof;  
 FIG. 7 is an enlarged bottom view thereof;  
 FIG. 8 is a reference front perspective view thereof, shown in an embodiment of use;  
 FIG. 9 is a reference back perspective view thereof, shown in an embodiment of use;  
 FIG. 10 is a front perspective view of a set of watch straps showing my new design in a second embodiment;  
 FIG. 11 is a front view thereof in the second embodiment; and,  
 FIG. 12 is a reference front perspective view thereof, shown in an embodiment of use.

The right side view of the first embodiment is identical with the left side view of the first embodiment and is thus omitted from the drawings. The back, left, right, top and bottom view of the set of watch straps in the second embodiment are identical with corresponding views in the first embodiment and are also omitted from the drawings. The broken lines in the drawing depict environmental subject matter that form no part of the claimed design.

**1 Claim, 11 Drawing Sheets**



(58) **Field of Classification Search**

CPC ..... A44C 5/185; A44C 5/2047; A44C 5/2052;  
 A44C 11/00; A44C 11/002; A44C 7/002;  
 A44C 7/003; A44C 7/004; A44C 7/005;  
 A44C 7/006; A44C 7/007; A44C 7/008;  
 A44C 7/009; A44C 15/005; A44C  
 15/0055; A44C 23/00; A44C 25/008;  
 A44C 5/00; A44C 5/04; A44C 5/06;  
 A44C 5/08; A44C 5/10; A44C 5/022;  
 A44C 5/025; A44C 5/027; A44C 5/102;  
 A44C 5/105; A44C 5/107; A44C 11/007;  
 G09F 3/005; G04B 37/1486; G04B 37/00

See application file for complete search history.

(56) **References Cited**

U.S. PATENT DOCUMENTS

D285,422 S \* 9/1986 Grimes ..... D10/32  
 D317,872 S \* 7/1991 Dobashi ..... D10/32  
 D324,340 S \* 3/1992 Houlihan ..... D10/32  
 D333,446 S \* 2/1993 Butler ..... D11/19

D336,866 S \* 6/1993 Tasou ..... D11/12  
 D339,748 S \* 9/1993 Choi ..... D10/126  
 D346,132 S \* 4/1994 McNally ..... D11/101  
 D349,257 S \* 8/1994 Polenberg ..... D11/3  
 5,418,760 A \* 5/1995 Kawashima ..... G02F 1/13306  
 368/69  
 D580,277 S \* 11/2008 Brady ..... D10/32  
 D710,236 S \* 8/2014 Lee ..... D10/104.2  
 D718,171 S \* 11/2014 Fakesch ..... D11/3  
 D747,660 S \* 1/2016 Coin ..... D11/3  
 D756,832 S \* 5/2016 Riddiford ..... D11/3  
 D779,356 S \* 2/2017 Thumm ..... D11/3  
 D821,246 S \* 6/2018 Akana ..... D11/3  
 D836,477 S \* 12/2018 Peng ..... D11/3  
 D839,121 S \* 1/2019 Liu ..... D11/3  
 D840,860 S \* 2/2019 Zhang ..... D11/3  
 D841,512 S \* 2/2019 Paschke ..... D11/3  
 D858,518 S \* 9/2019 Riot ..... D14/344  
 2013/0020367 A1 \* 1/2013 Buckley ..... A63B 57/353  
 224/584  
 2014/0174124 A1 \* 6/2014 Duggal ..... A44C 5/0015  
 63/5.1

\* cited by examiner

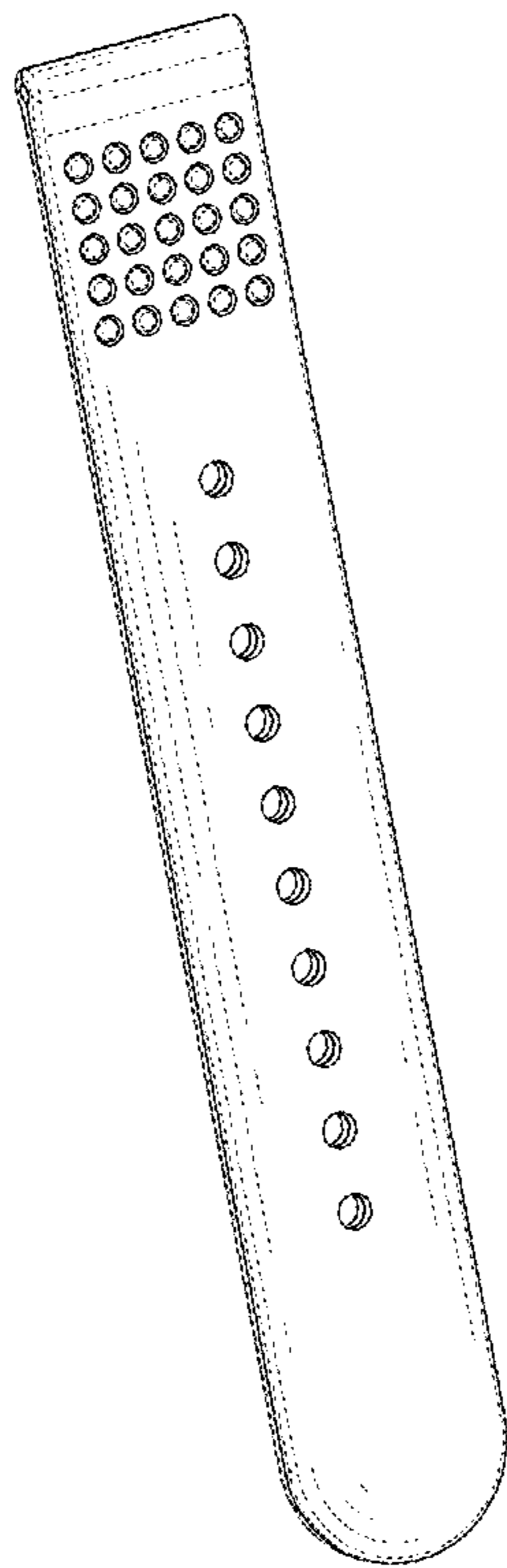
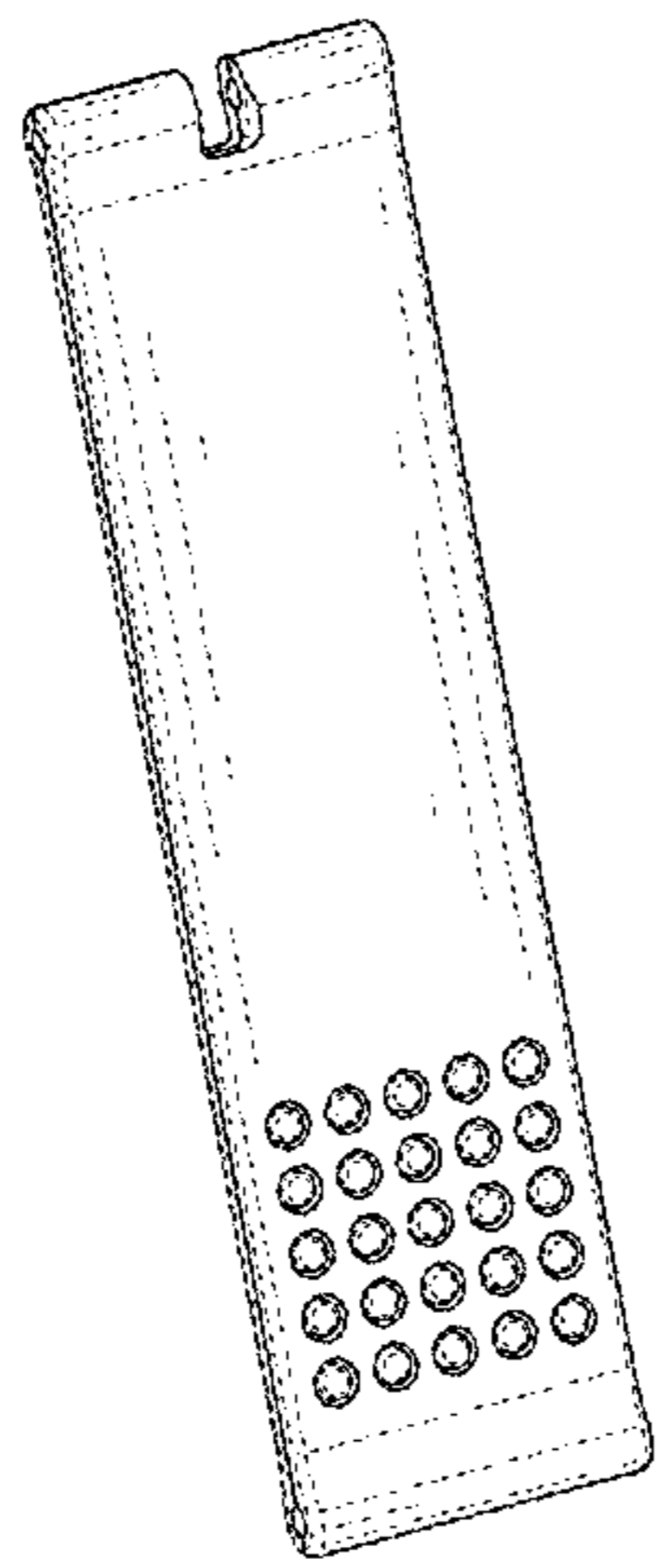


FIG. 1

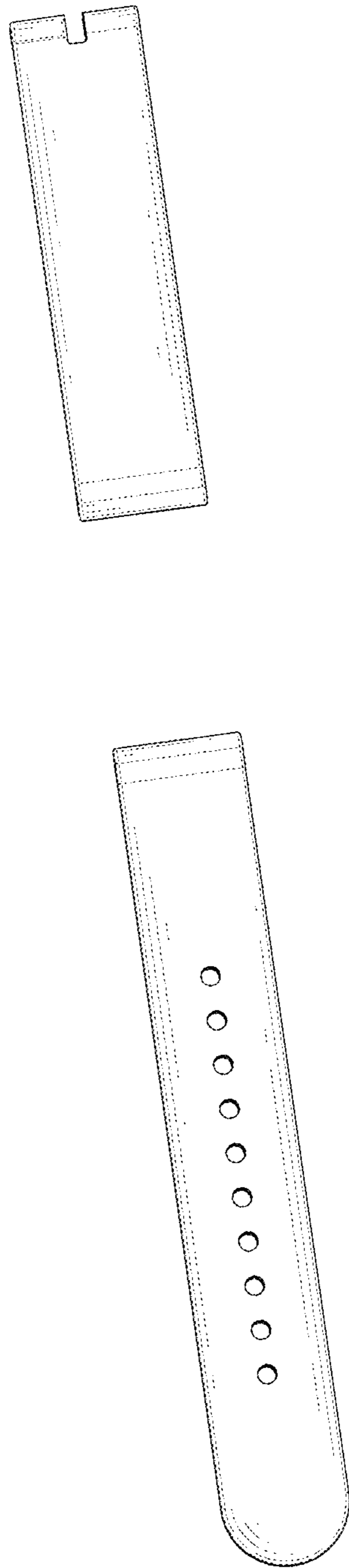


FIG. 2

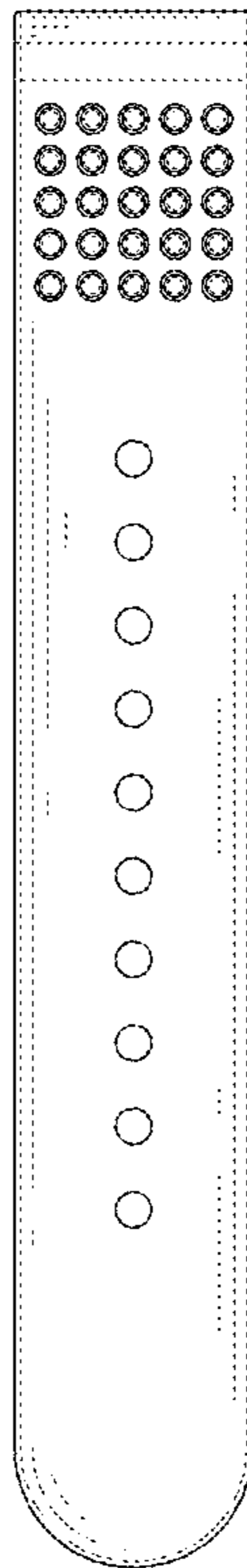
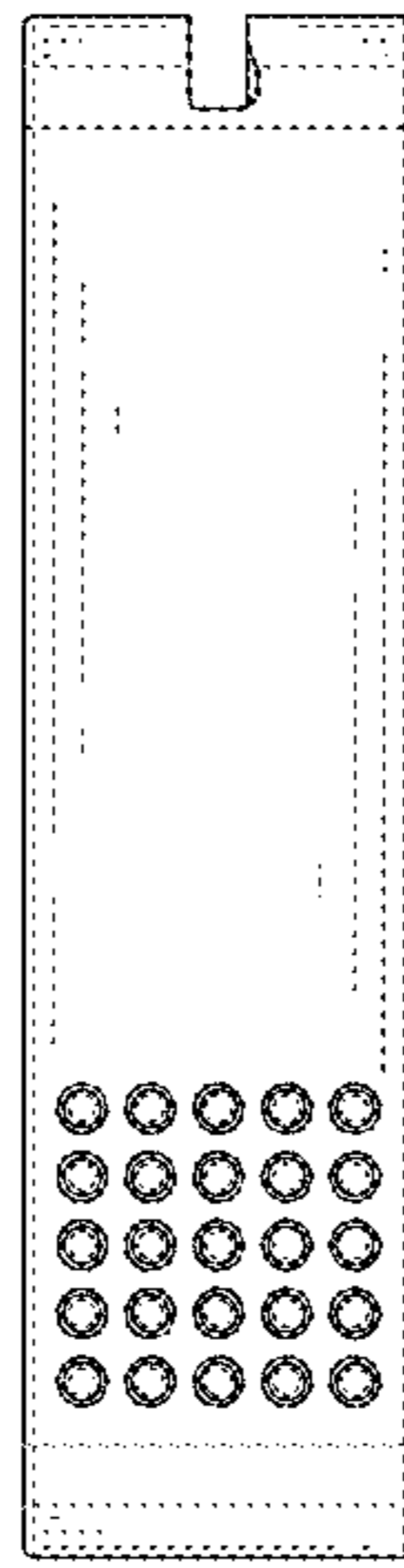


FIG. 3

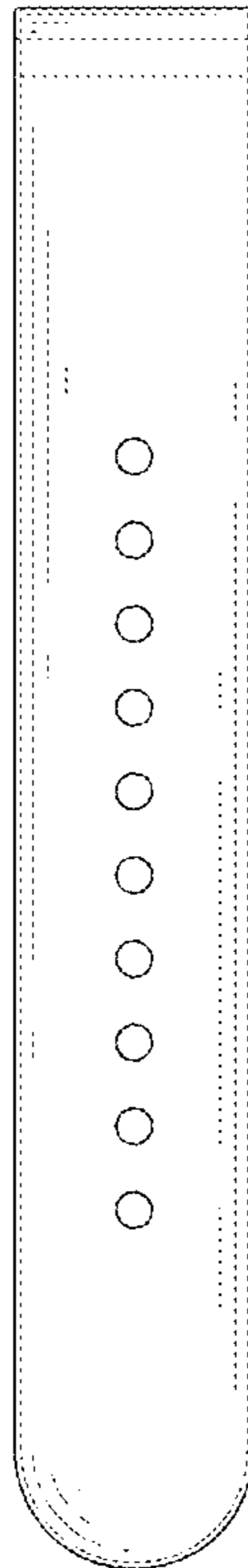
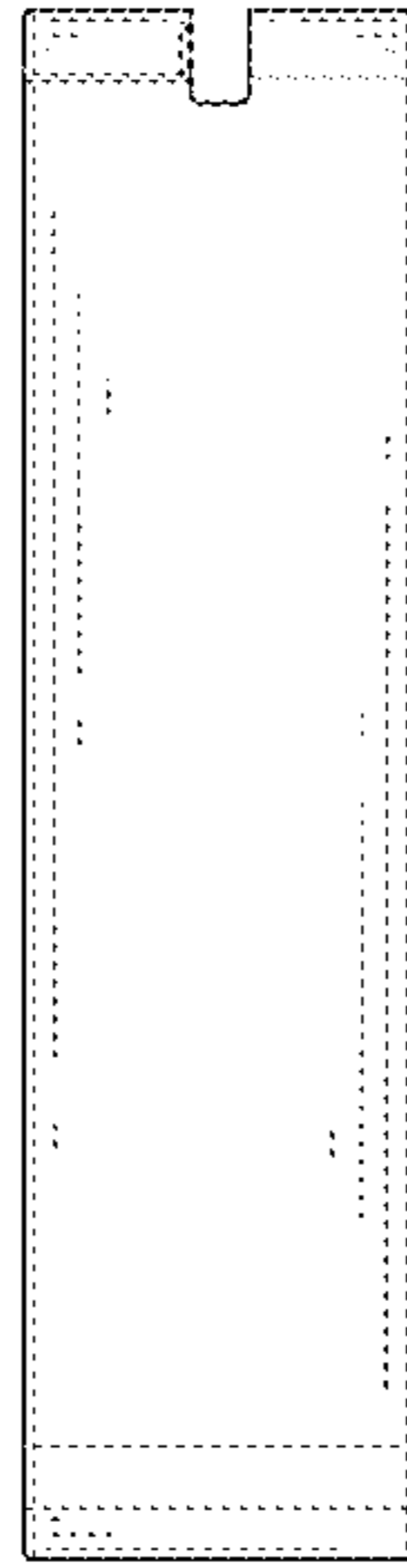


FIG. 4

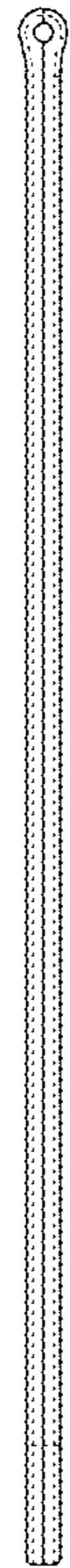
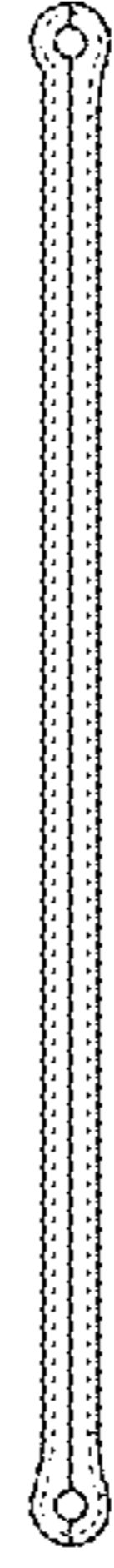


FIG. 5

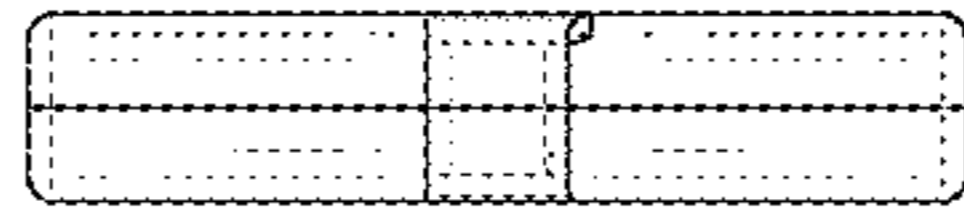


FIG. 6

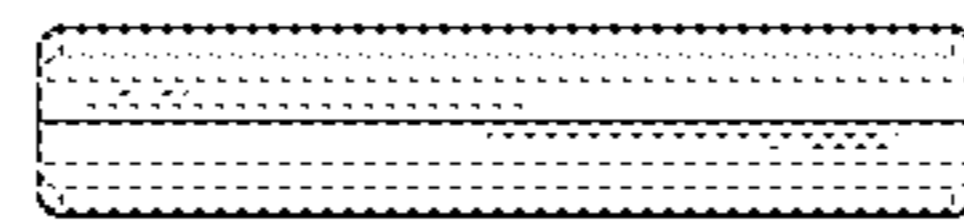


FIG. 7



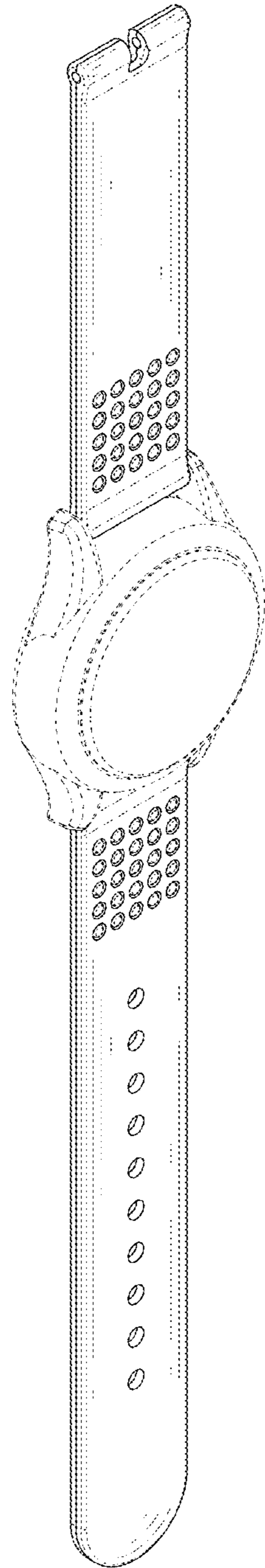


FIG. 8

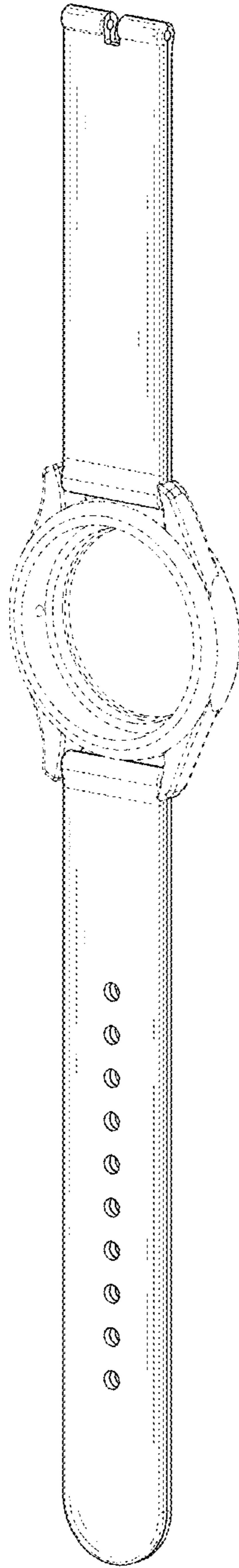


FIG. 9

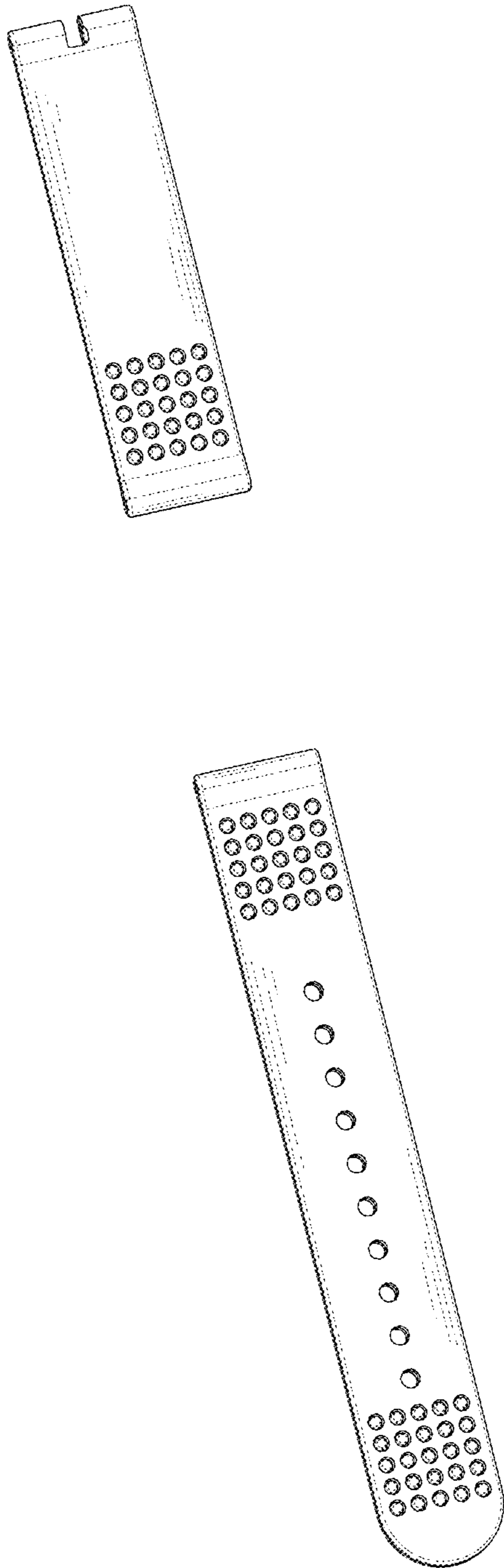


FIG. 10

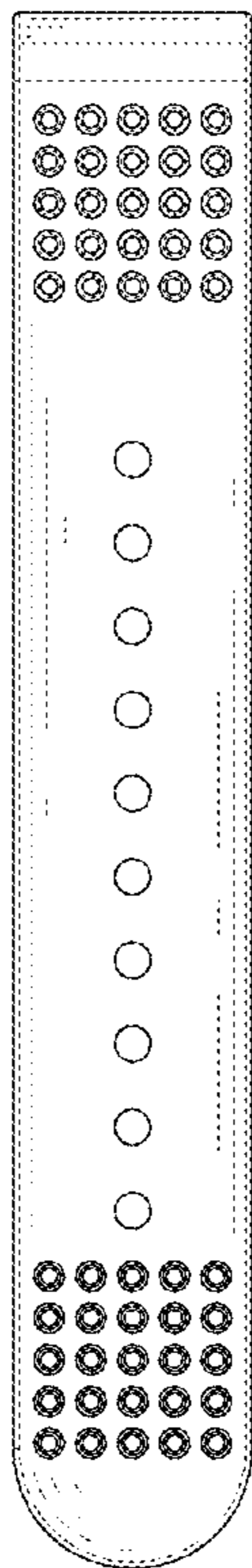
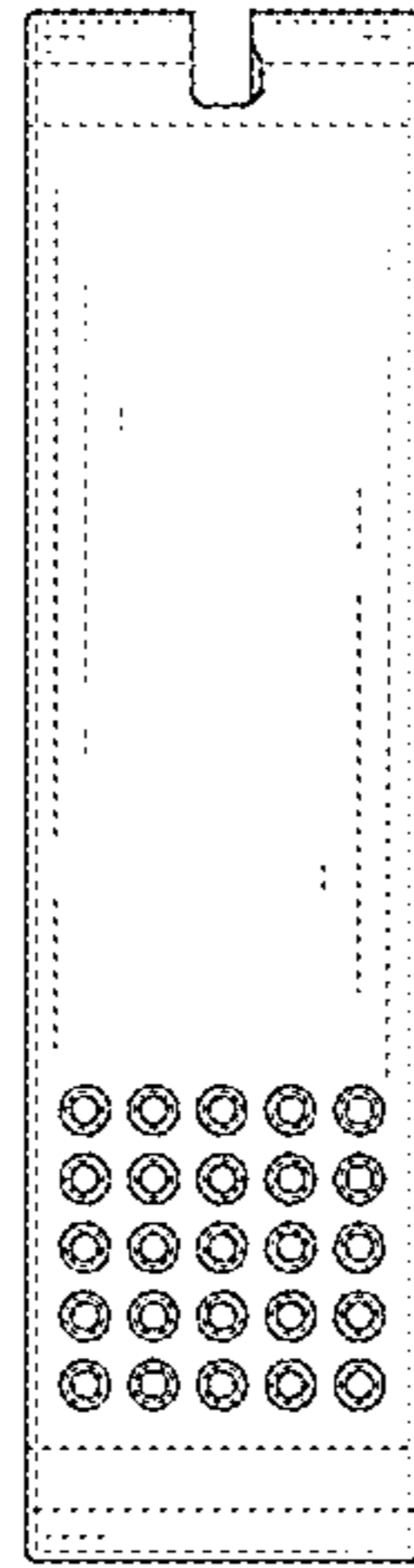


FIG. 11

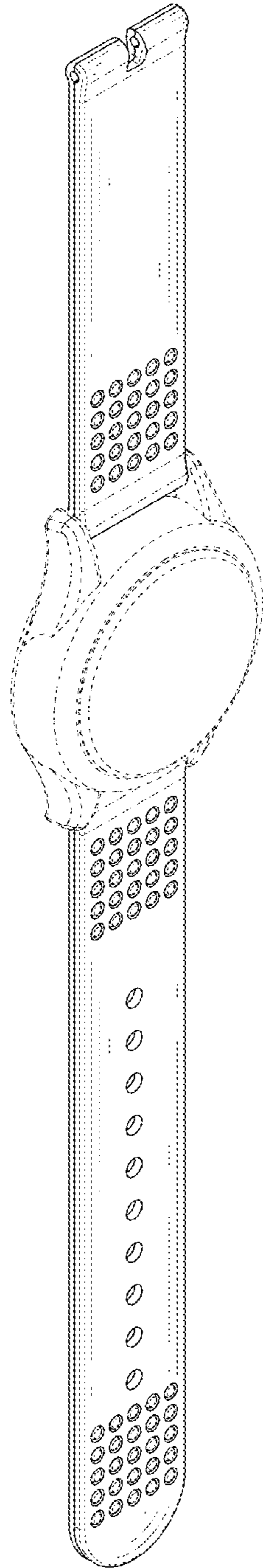


FIG. 12