



US00D891283S

(12) **United States Design Patent**  
**Chen**

(10) **Patent No.:** **US D891,283 S**

(45) **Date of Patent:** **\*\* Jul. 28, 2020**

(54) **HORN**

(71) Applicant: **SYUAN EN ENTERPRISE CO., LTD.**, Tainan (TW)

(72) Inventor: **I-Chung Chen**, Tainan (TW)

(73) Assignee: **Syuan En Enterprise Co., Ltd.**, Tainan (TW)

(\*\*) Term: **15 Years**

(21) Appl. No.: **29/666,417**

(22) Filed: **Oct. 12, 2018**

(51) **LOC (12) Cl.** ..... **10-05**

(52) **U.S. Cl.**  
USPC ..... **D10/120**

(58) **Field of Classification Search**  
USPC ..... D10/120  
CPC ... G10K 9/18; G10K 9/00; G10K 9/04; A62C 3/0228

See application file for complete search history.

(56) **References Cited**

**U.S. PATENT DOCUMENTS**

D45,797 S \* 5/1914 Dean ..... D10/120  
1,698,804 A \* 1/1929 Sparks ..... G10K 9/18  
116/142 R

D111,188 S \* 9/1938 Nielsen ..... D10/120  
D138,406 S \* 8/1944 Hadley ..... D10/120  
D185,931 S \* 8/1959 Graham ..... D10/120  
5,078,074 A \* 1/1992 Gomez ..... G10K 9/18  
116/137 R  
6,294,984 B1 \* 9/2001 Meister ..... G10K 9/04  
116/137 R  
10,259,517 B2 \* 4/2019 Verdun, Sr. .... G10K 9/00  
10,501,180 B2 \* 12/2019 Yu ..... A62C 3/0228

\* cited by examiner

*Primary Examiner* — George D. Kirschbaum

(74) *Attorney, Agent, or Firm* — Rosenberg, Klein & Lee

(57) **CLAIM**

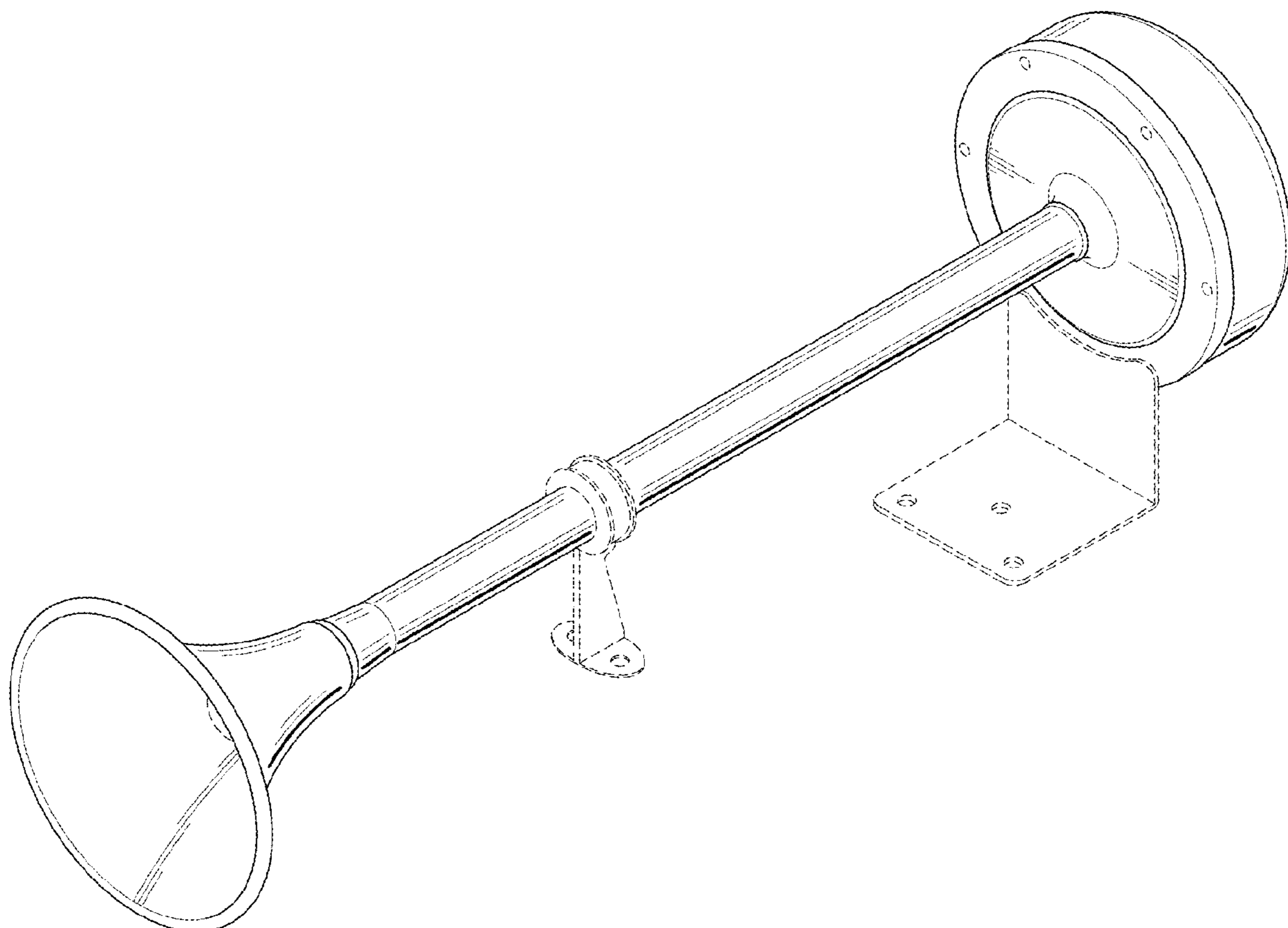
The ornamental design for a horn, as shown and described.

**DESCRIPTION**

FIG. 1 is a perspective view of a horn my new design;  
FIG. 2 is a front elevational view thereof;  
FIG. 3 is a rear elevational view thereof;  
FIG. 4 is a left side elevational view thereof;  
FIG. 5 is a right side elevational view thereof;  
FIG. 6 is a top plan view thereof; and,  
FIG. 7 is a bottom plan view thereof.

The broken lines shown in the figures are included for illustrating unclaimed portions of the horn and form no part of the claimed design.

**1 Claim, 7 Drawing Sheets**



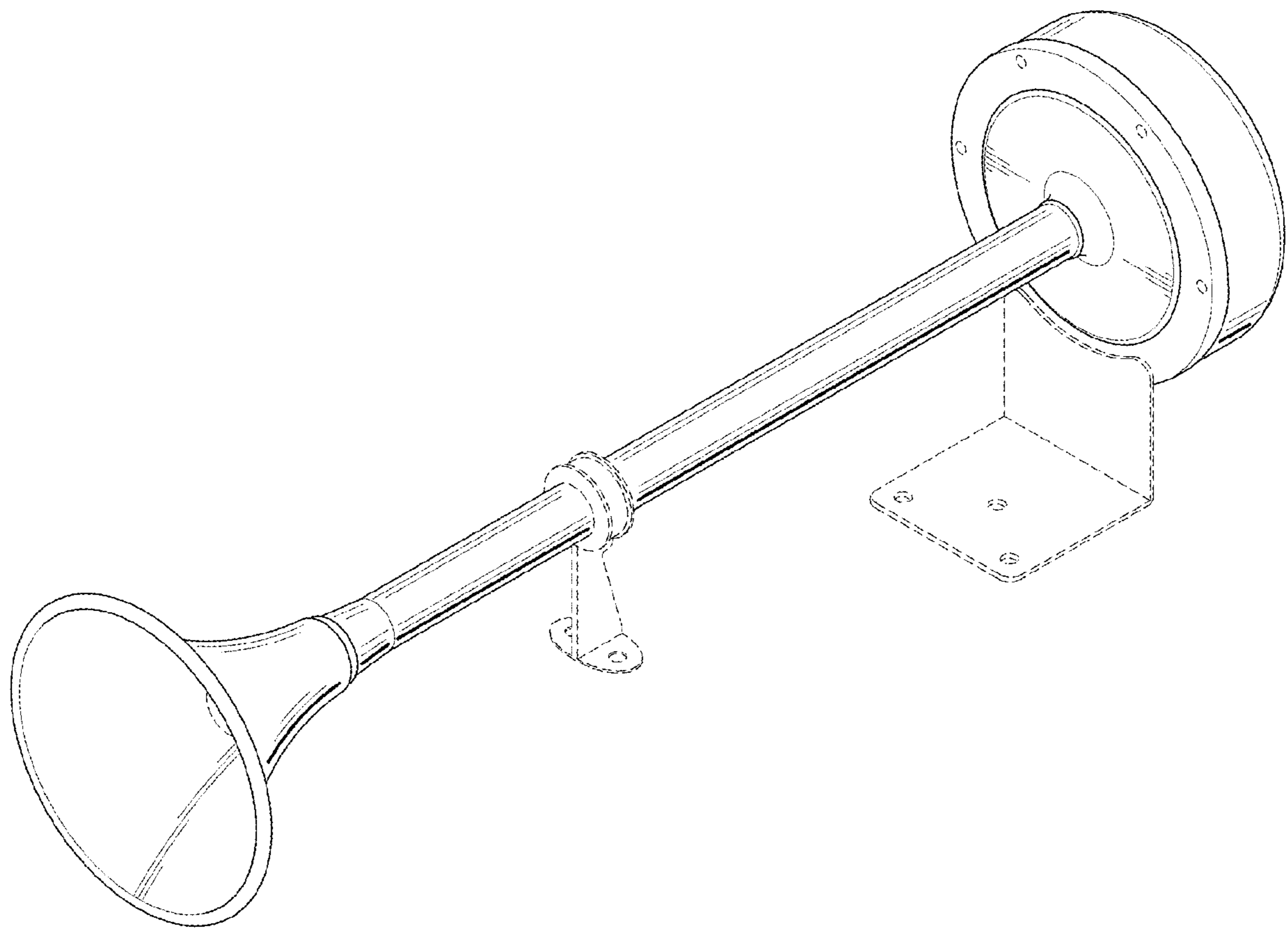


FIG. 1

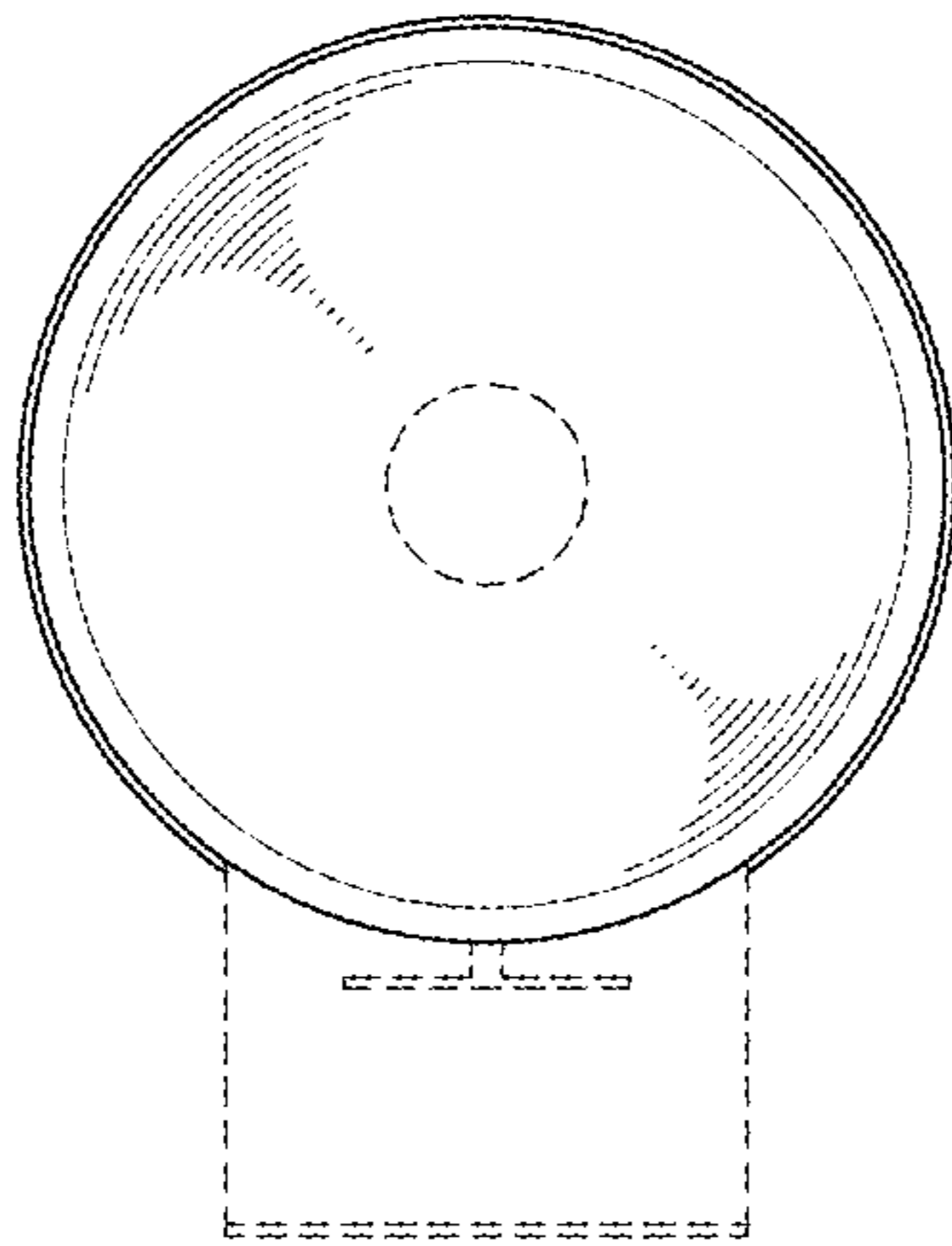


FIG. 2

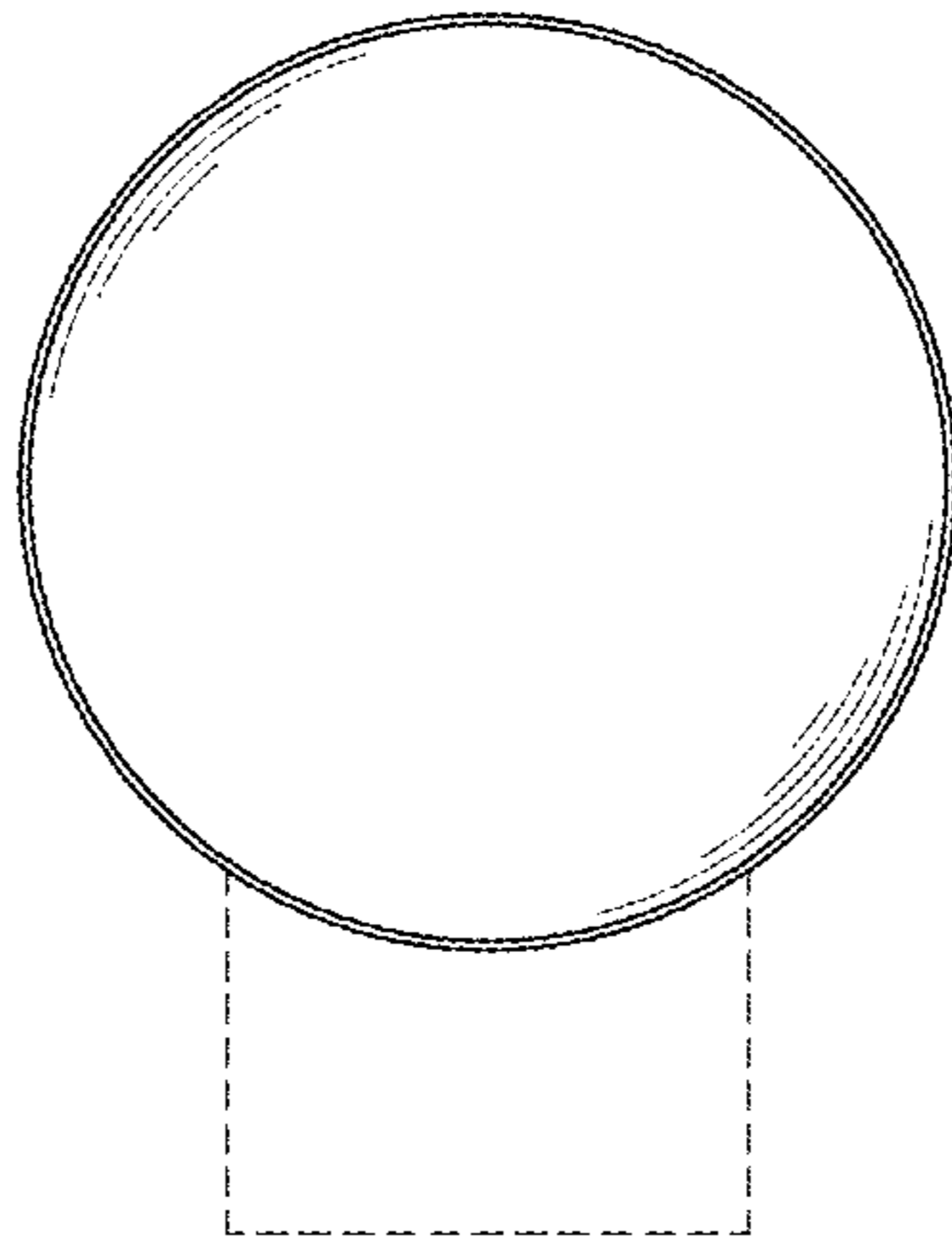


FIG. 3

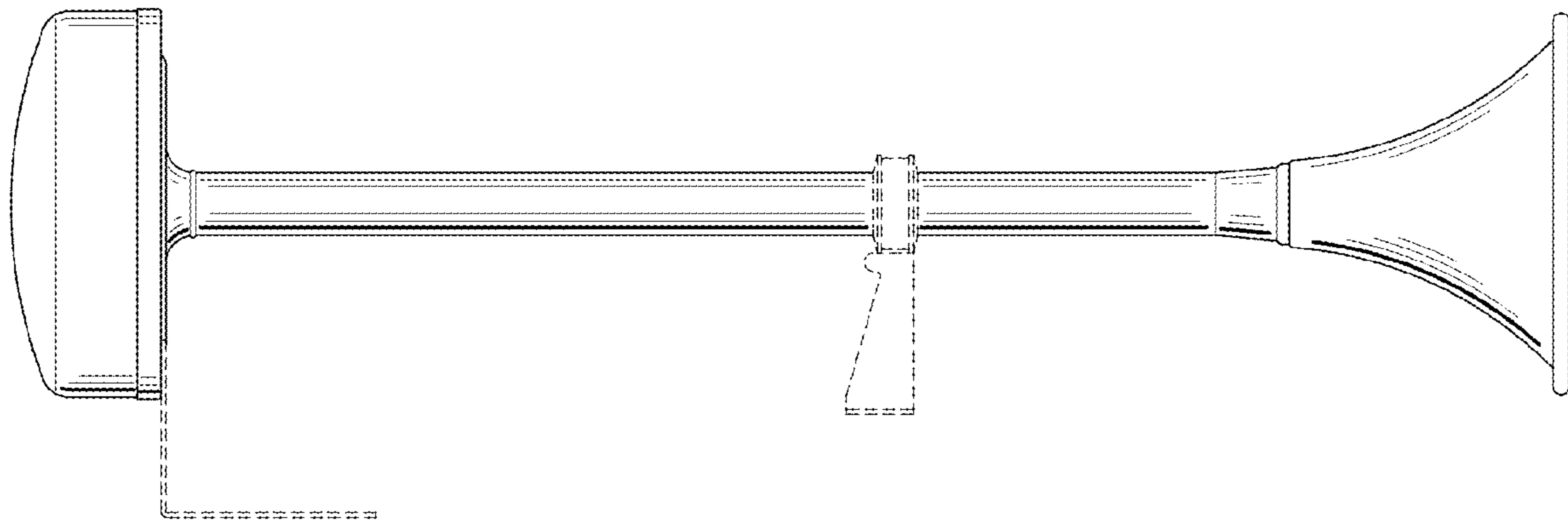


FIG. 4

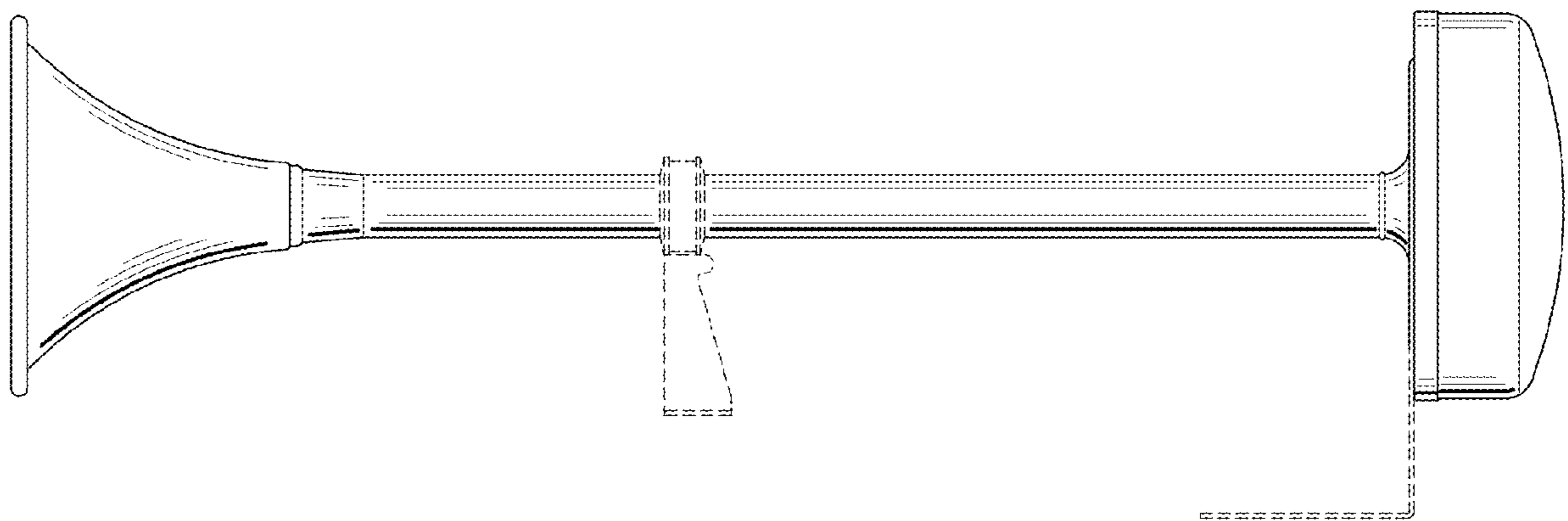


FIG. 5

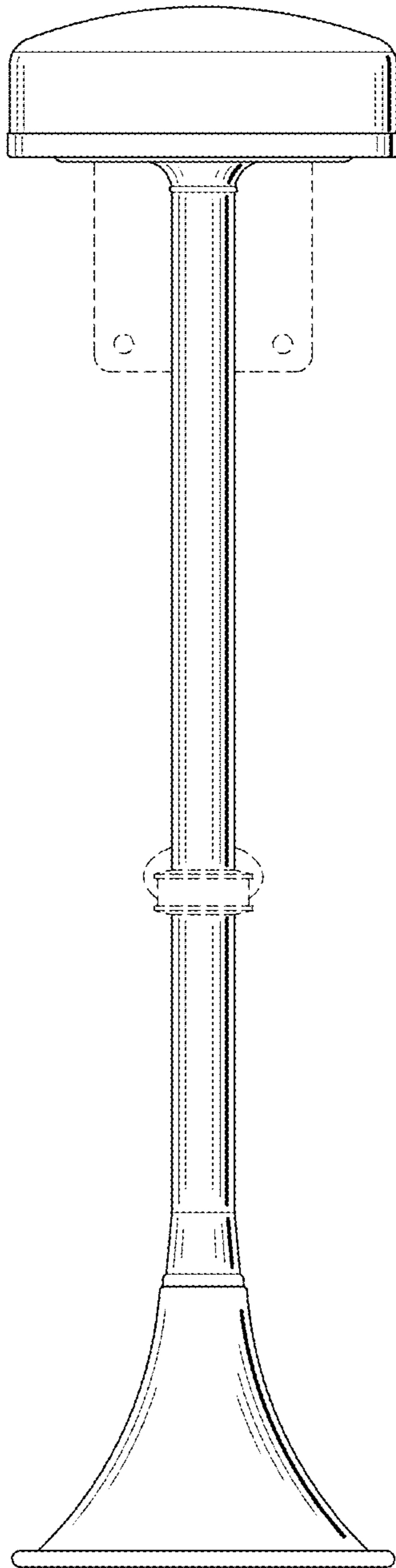


FIG. 6

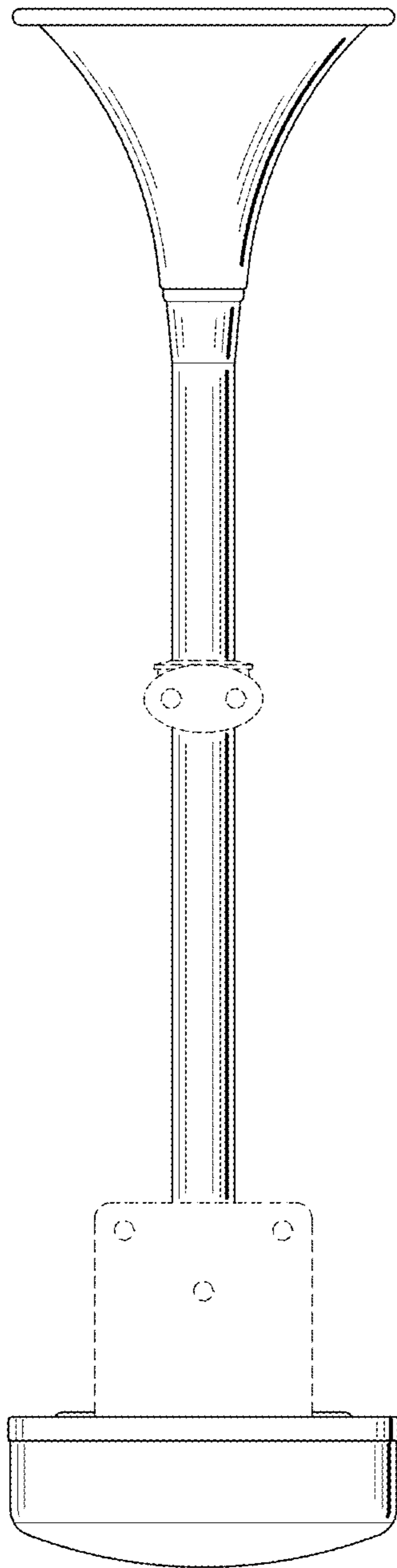


FIG. 7