



US00D891282S

(12) **United States Design Patent** (10) **Patent No.:** **US D891,282 S**
Imaishi et al. (45) **Date of Patent:** **** Jul. 28, 2020**

(54) **PROJECTOR EQUIPMENT ATTACHED TO VEHICLE**

from Internet, URL:https://www.freeimages.com/premium/wifi-3d-rounded-corner-red-vector-icon-button-1924928 (Year: 2020).*

(Continued)

(71) Applicant: **mitsubishi electric CORPORATION**, Tokyo (JP)

Primary Examiner — Michael C Stout

(72) Inventors: **Akiko Imaishi**, Tokyo (JP); **Shinsaku Fukutaka**, Tokyo (JP); **Munetaka Nishihira**, Tokyo (JP); **Kei Kasuga**, Tokyo (JP); **Reiko Sakata**, Tokyo (JP); **Tsutomu Matsubara**, Tokyo (JP)

Assistant Examiner — Katrina N Gonzalez

(74) *Attorney, Agent, or Firm* — Studebaker & Brackett PC

(73) Assignee: **Mitsubishi Electric Corporation**, Tokyo (JP)

(57) **CLAIM**

The ornamental design for a projector equipment attached to vehicle, as shown and described.

(**) Term: **15 Years**

DESCRIPTION

(21) Appl. No.: **29/658,843**

FIG. 1 is a front perspective view of the front, left, and top sides of a projector equipment attached to vehicle showing our new design;

(22) Filed: **Aug. 3, 2018**

FIG. 2 is a front view thereof;

(30) **Foreign Application Priority Data**

Feb. 6, 2018 (JP) 2018-002264

FIG. 3 is a rear view thereof;

(51) **LOC (12) Cl.** **10-05**

FIG. 4 is a right side view thereof, the left side view being a mirror image thereof;

(52) **U.S. Cl.**
USPC **D10/109.1; D10/114.3**

FIG. 5 is a top plan view thereof, the bottom view being a mirror image thereof;

(58) **Field of Classification Search**
USPC D10/109.1, 109.2, 111, 112, 113, 113.4,
D10/114.1, 114.2, 114.3, 121; D14/489;
D26/24, 28–31

FIG. 6 is a cross-sectional front view taken along and in the direction of line 6-6 in FIG. 2;

See application file for complete search history.

FIG. 7 is a front perspective view thereof, but shown with different broken line subject matter in an exploded configuration of use; and,

(56) **References Cited**

FIG. 8 is another top plan view thereof, but shown in a usage state in an environmental view.

U.S. PATENT DOCUMENTS

D836,661 S * 12/2018 Sakata D14/486
D868,106 S * 11/2019 Imaishi D14/491

(Continued)

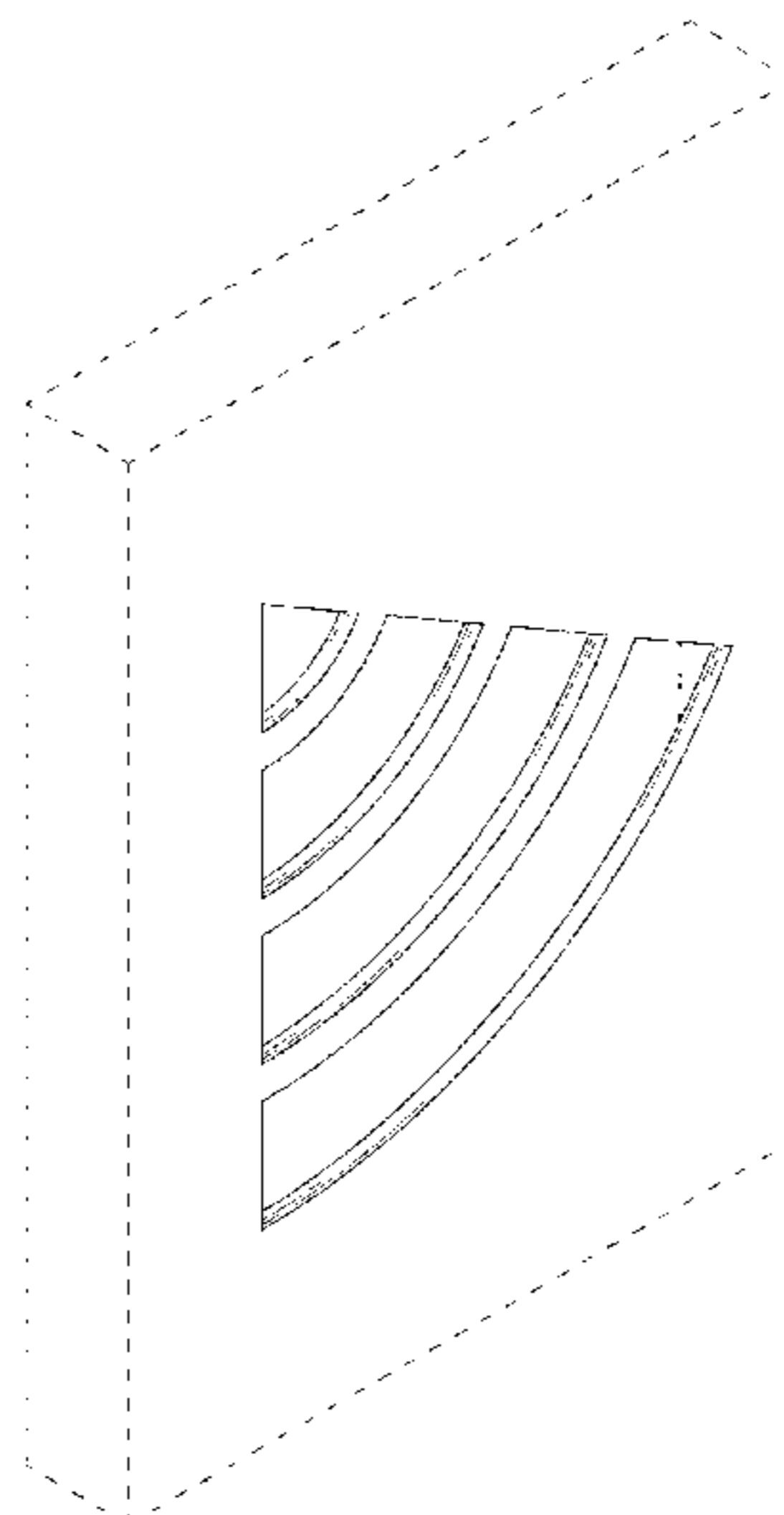
The broken lines shown in FIGS. 1 through 6 illustrate portions of the projector equipment attached to vehicle that form no part of the claimed design.

OTHER PUBLICATIONS

“Wifi 3d Rounded Corner Red Vector Icon Button Stock Vector” available Feb. 6, 2020, [online], [site visited Feb. 6, 2020]. Retrieved

The broken lines shown in FIG. 7, showing a light source and a lens, an irradiated portion and a shadowed area, illustrate environmental structures and form no part of the claimed design. The broken lines shown in FIG. 8, showing a vehicle and an irradiated portion, illustrate environmental structures and form no part of the claimed design.

1 Claim, 8 Drawing Sheets



(56)

References Cited

U.S. PATENT DOCUMENTS

D869,697 S * 12/2019 Kasuga D26/28
D869,698 S * 12/2019 Kasuga D26/28
2017/0203685 A1* 7/2017 Hirai B60Q 1/0023
2017/0259734 A1* 9/2017 Imaishi B60Q 1/444
2017/0267167 A1* 9/2017 Sakata B60Q 1/38

OTHER PUBLICATIONS

“WiFi Indicator Board” available Aug. 20, 2019, [online], [site visited Feb. 6, 2020]. Retrieved from Internet, URL:<https://www.amazon.in/Aluminum-Indicator-Safety-Instructions-Public/dp/B07TKJXL16> (Year: 2019).*

“3D Wifi Symbol model” available Jan. 22, 2020, [online], [site visited Feb. 6, 2020]. Retrieved from Internet, URL:<https://www.turbosquid.com/3d-models/3d-wifi-symbol-model-1491780> (Year: 2020).*

An Office Action mailed by the State Intellectual Property Office of the People’s Republic of China dated Nov. 2, 2018, which corresponds to Chinese Patent Application No. 201830409184.6 and is related to U.S. Appl. No. 29/658,843.

* cited by examiner

FIG. 1

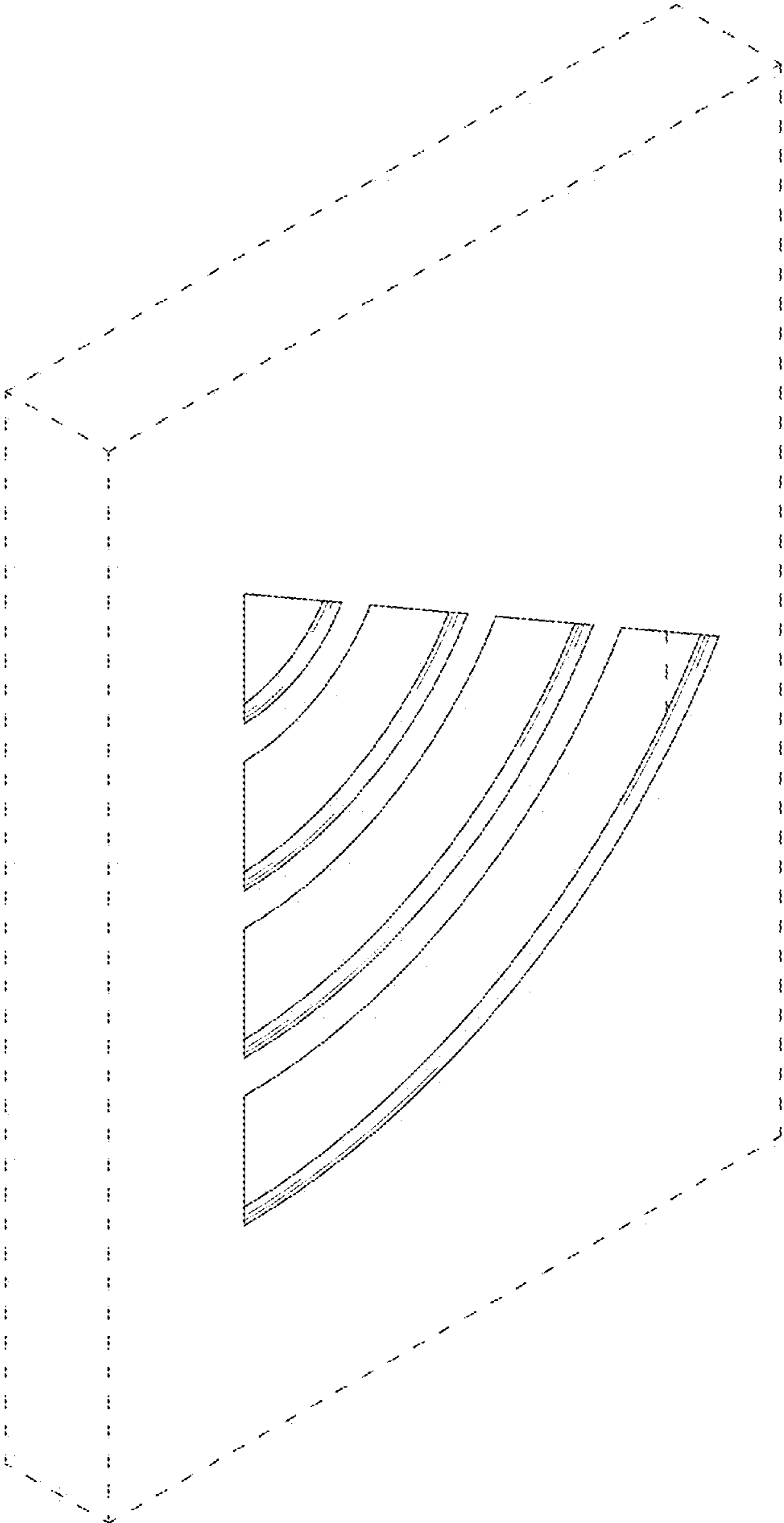


FIG. 2

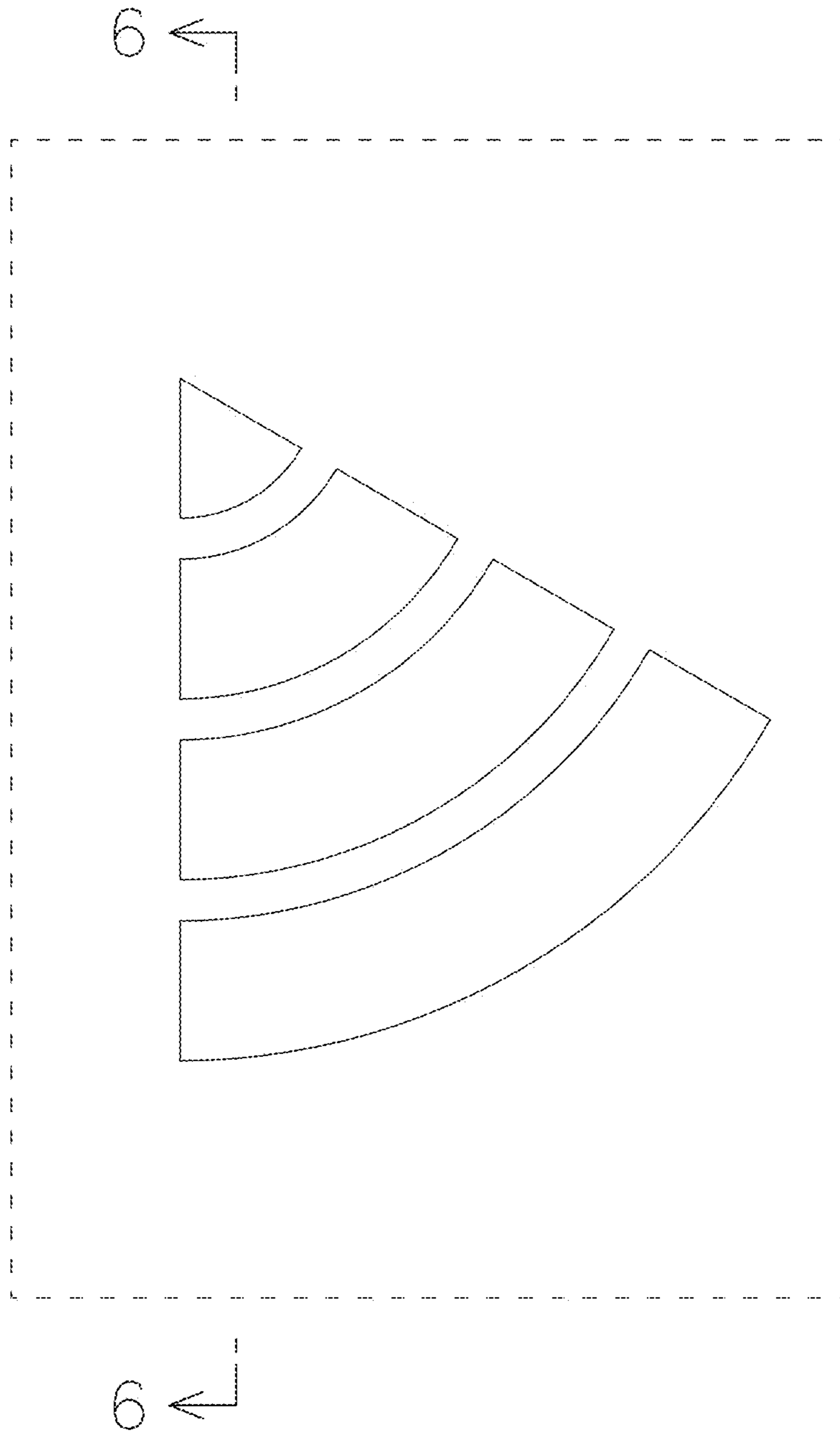


FIG. 3

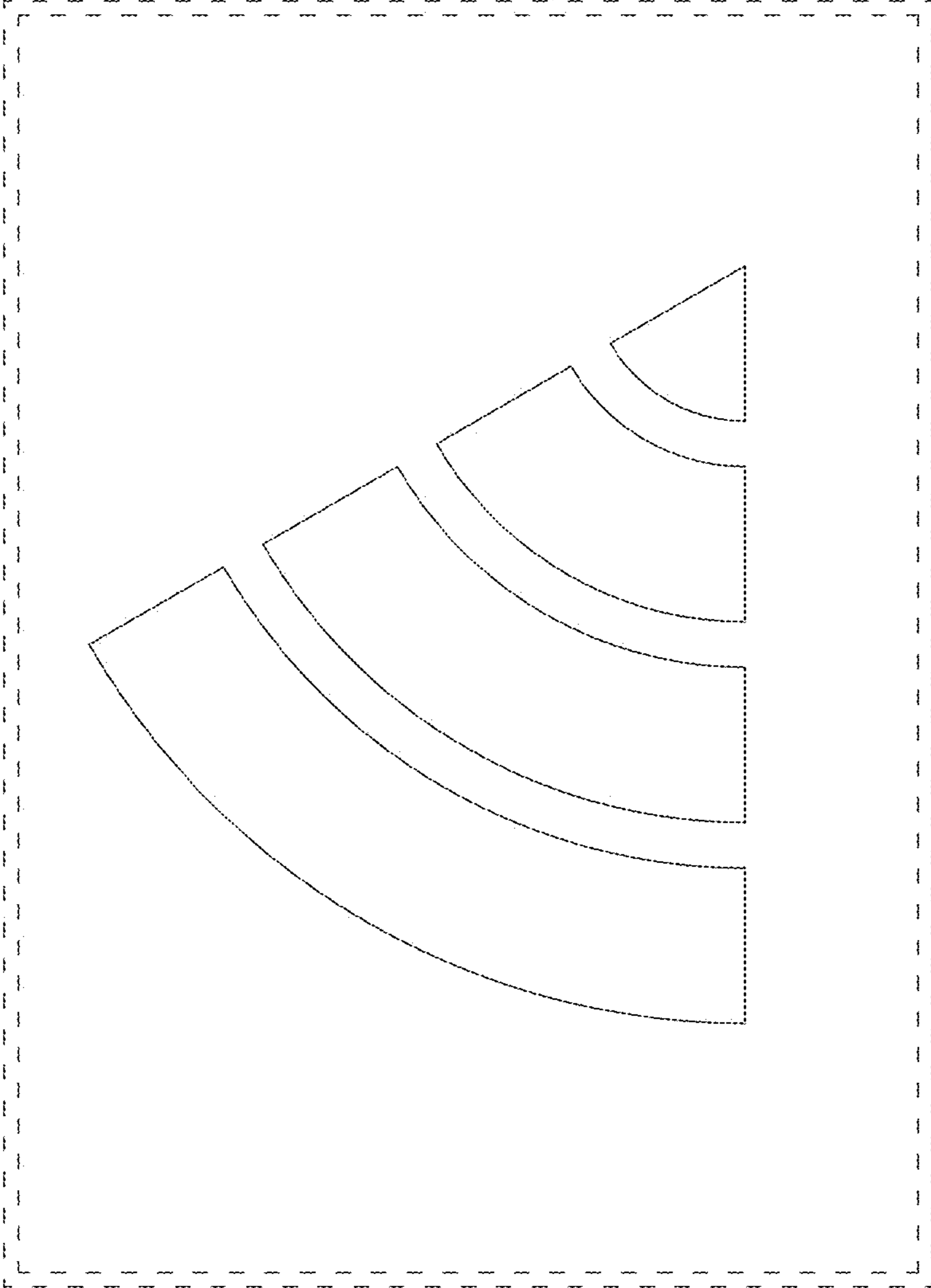


FIG. 4

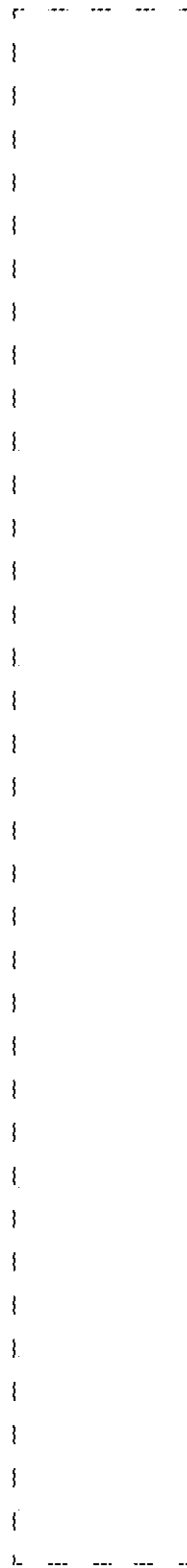


FIG. 5



FIG. 6

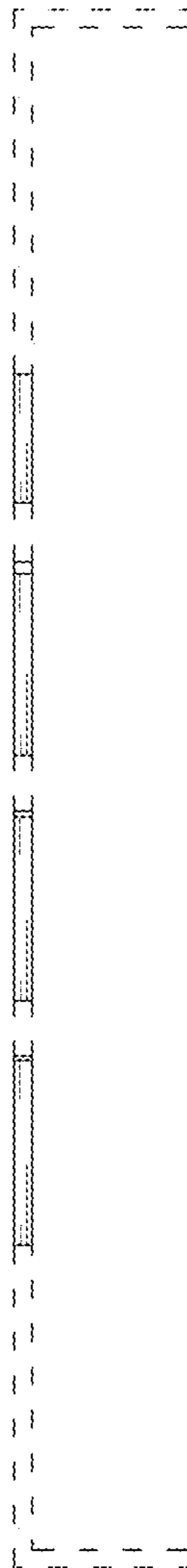


FIG. 7

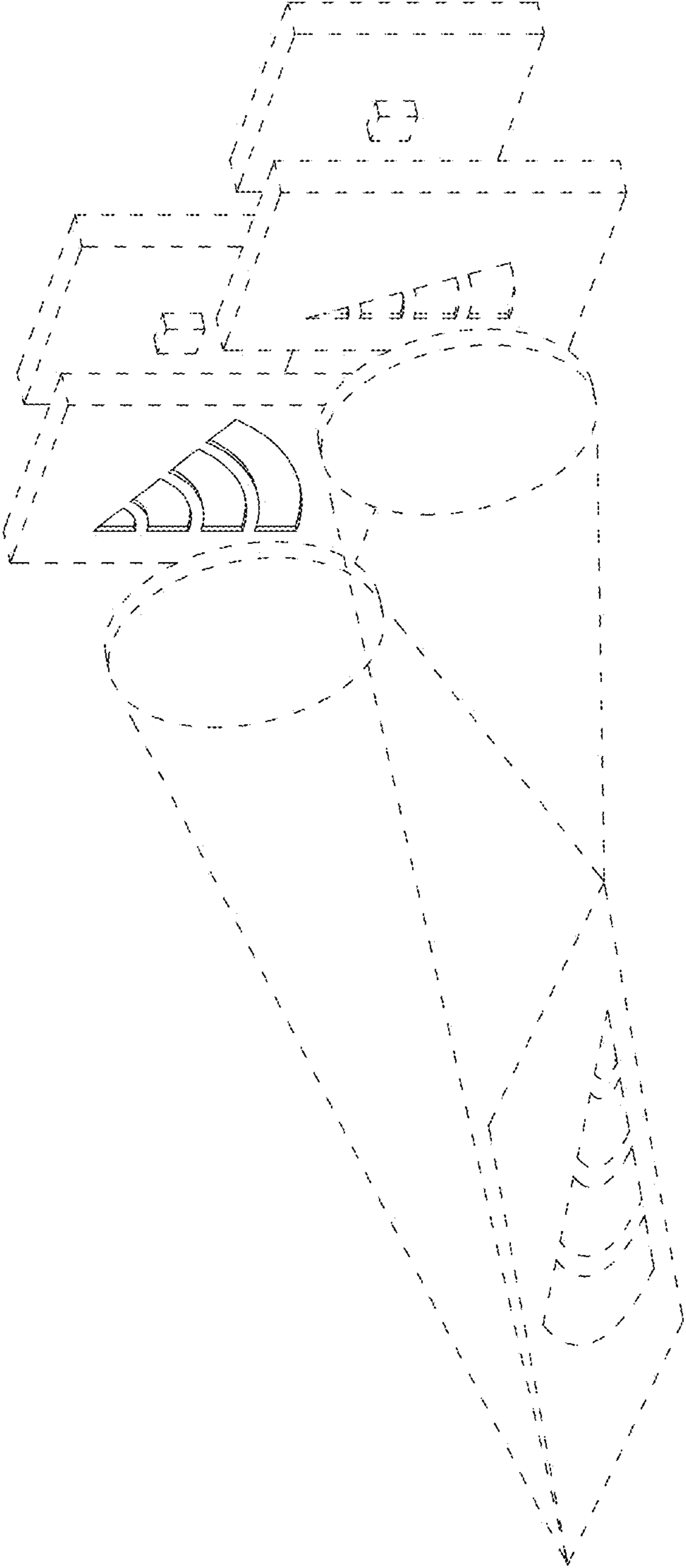


FIG. 8

