



US00D891281S

(12) **United States Design Patent** (10) **Patent No.:** **US D891,281 S**
Ho (45) **Date of Patent:** **** Jul. 28, 2020**

(54) **LIGHTNING PROTECTION DEVICE**
(71) Applicant: **EquiVolt M Pte Ltd**, Singapore (SG)
(72) Inventor: **Wei Chon Alvin Ho**, Singapore (SG)
(73) Assignee: **EquiVolt M Pte Ltd**, Singapore (SG)
(**) Term: **15 Years**
(21) Appl. No.: **35/506,916**
(22) Filed: **Jan. 4, 2019**
(80) **Hague Agreement Data**
Int. Filing Date: **Jan. 4, 2019**
Int. Reg. No.: **DM/201328**
Int. Reg. Date: **Jan. 4, 2019**
Int. Reg. Pub. Date: **Jun. 14, 2019**

(30) **Foreign Application Priority Data**
Sep. 3, 2018 (CN) 2018 3 0492630
(51) **LOC (12) Cl.** **10-05**
(52) **U.S. Cl.**
USPC **D10/105**
(58) **Field of Classification Search**
USPC D10/105; D13/129, 130, 131, 132
CPC H01H 83/00; H01H 83/10; H01C 7/12;
H01C 8/04; H02G 13/00; H02G 13/40;
H02G 13/80
See application file for complete search history.

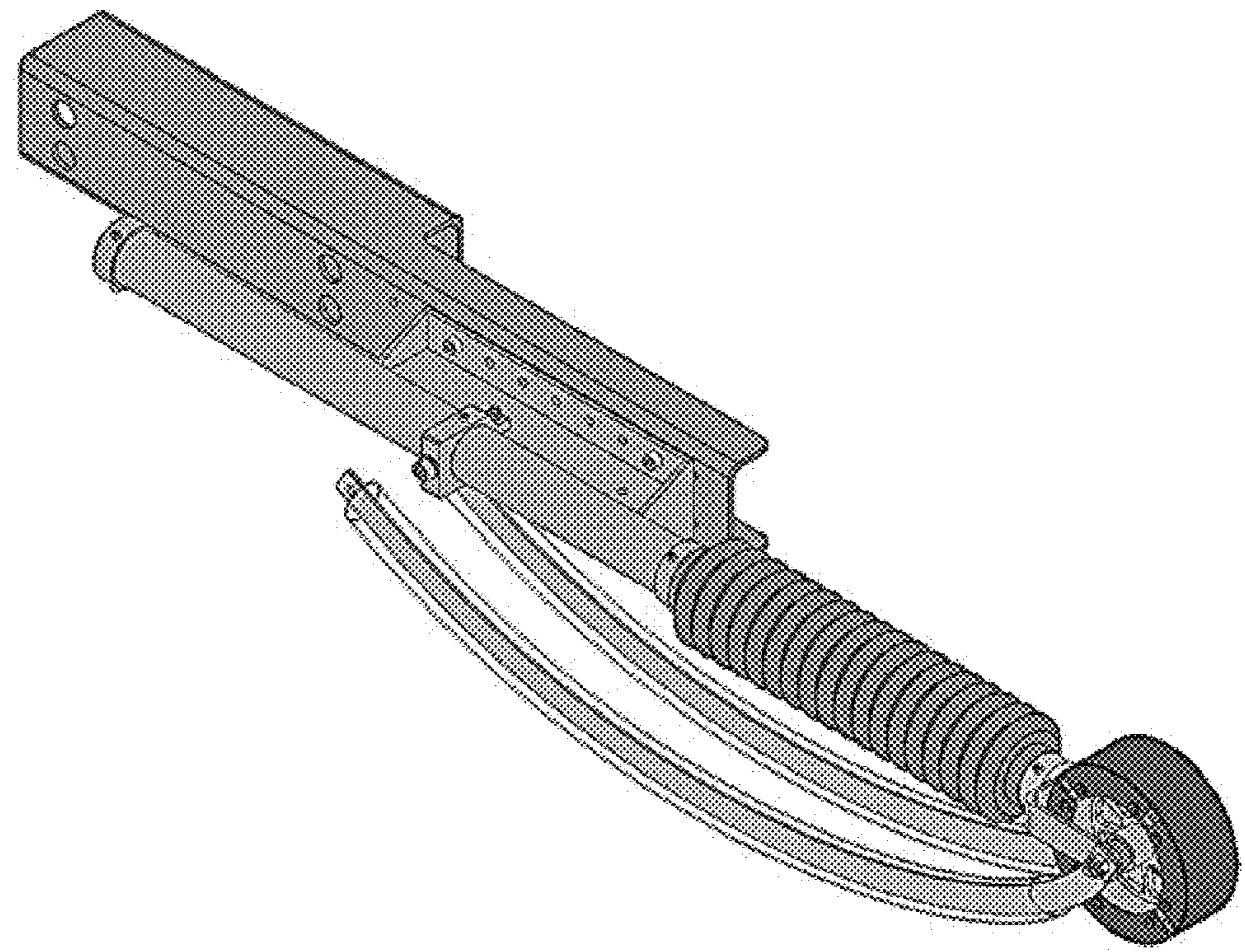
(56) **References Cited**
U.S. PATENT DOCUMENTS
2,174,476 A * 9/1939 Pittman H01H 85/44
337/31
2,401,586 A * 6/1946 Smith, Jr. H01T 4/14
337/31
D187,073 S * 1/1960 Brandt D13/133
D308,175 S * 5/1990 Sulyma D10/105
D853,597 S * 7/2019 Fulk H01T 4/14
D25/127

* cited by examiner
Primary Examiner — George D. Kirschbaum
Assistant Examiner — Joseph J Kukella
(74) *Attorney, Agent, or Firm* — Sterne, Kessler,
Goldstein & Fox P.L.L.C.

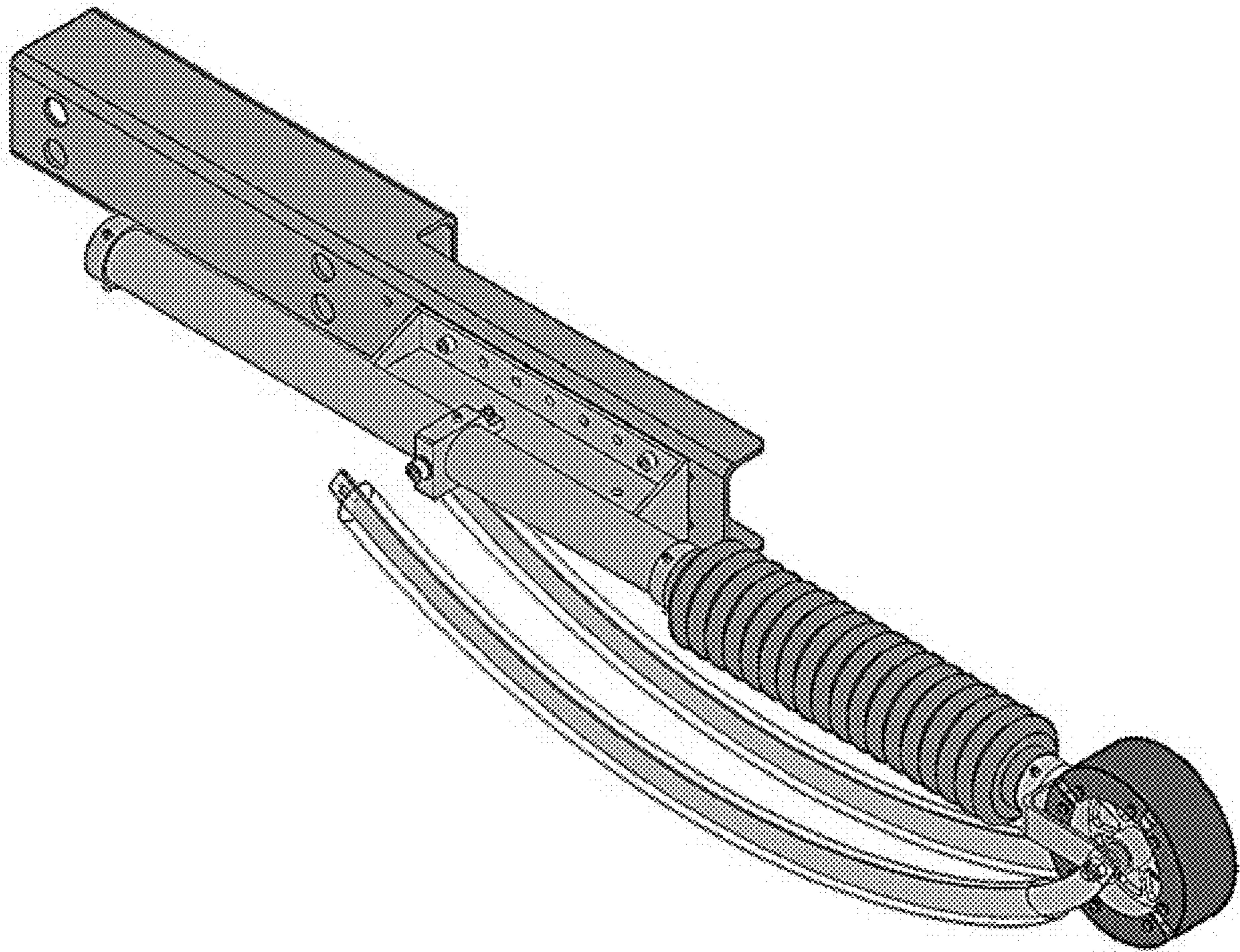
(57) **CLAIM**
The ornamental design for lightning protection device, as shown and described.

DESCRIPTION
1. Lightning protection device
1.1 : Perspective
1.2 : Left
1.3 : Right
1.4 : Top
1.5 : Bottom
1.6 : Front
1.7 : Rear
Novelty resides in the shape and configuration as shown in the reproductions.

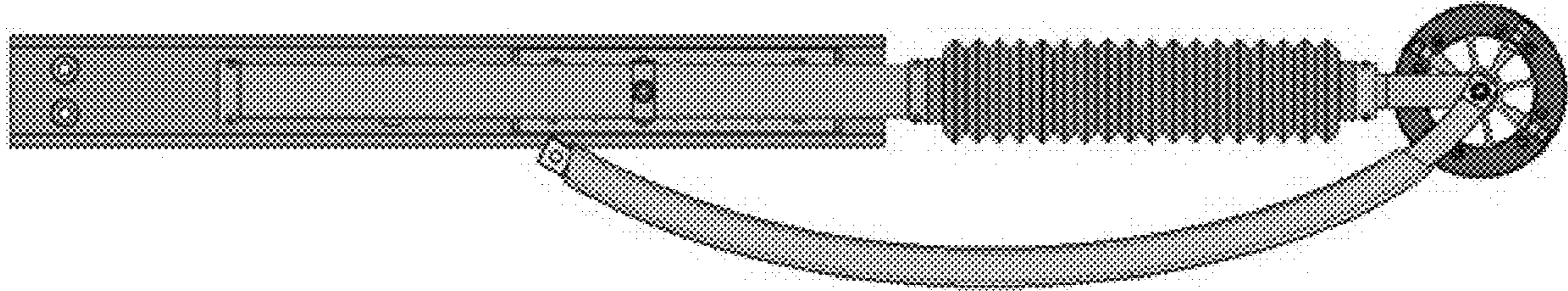
1 Claim, 7 Drawing Sheets



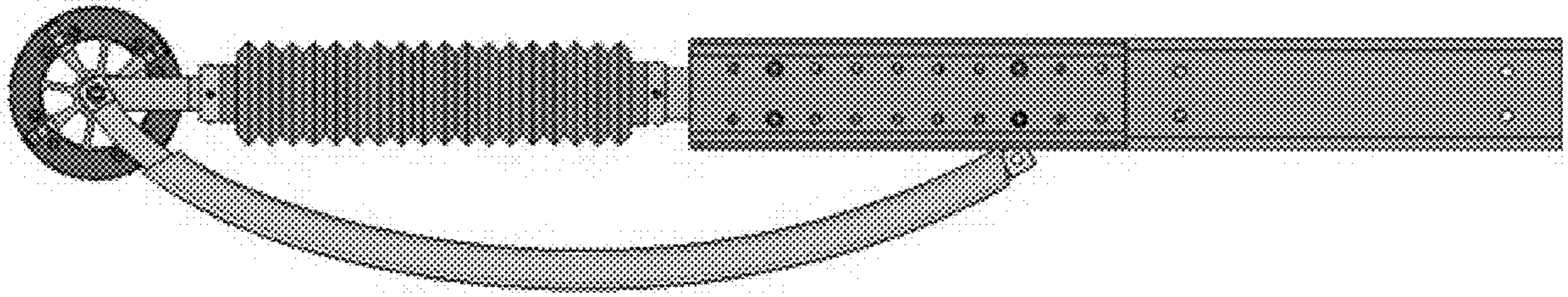
1.1



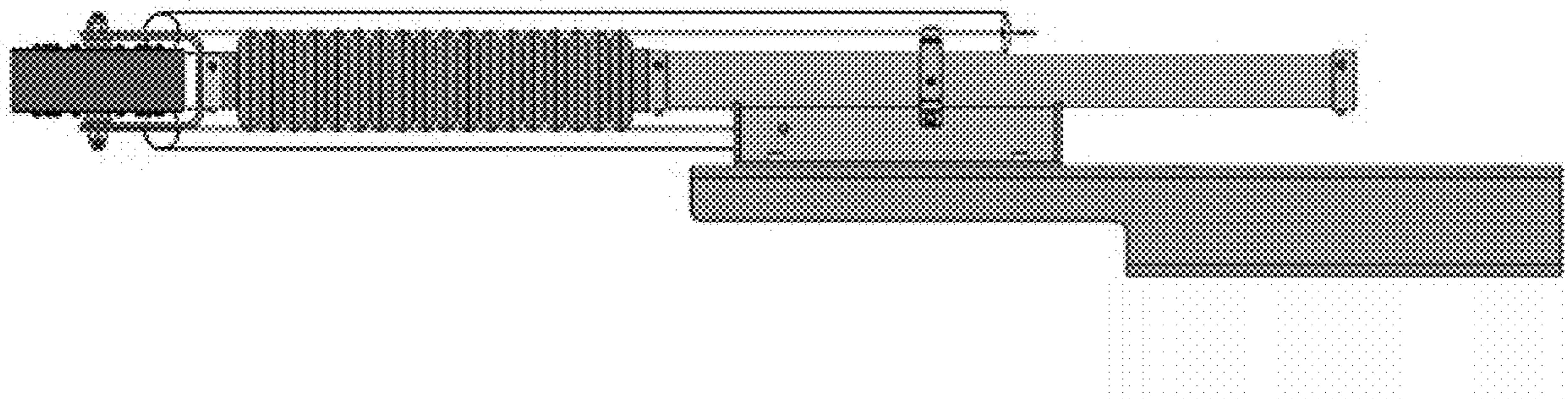
1.2



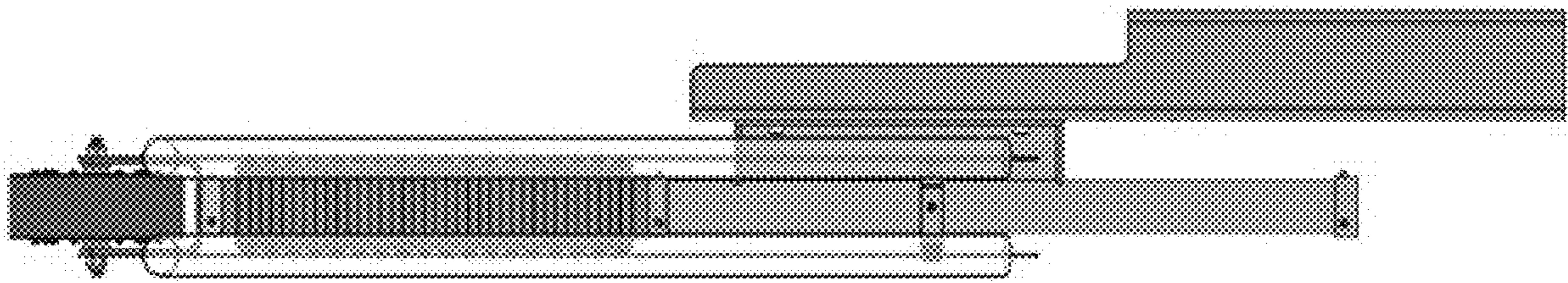
1.3



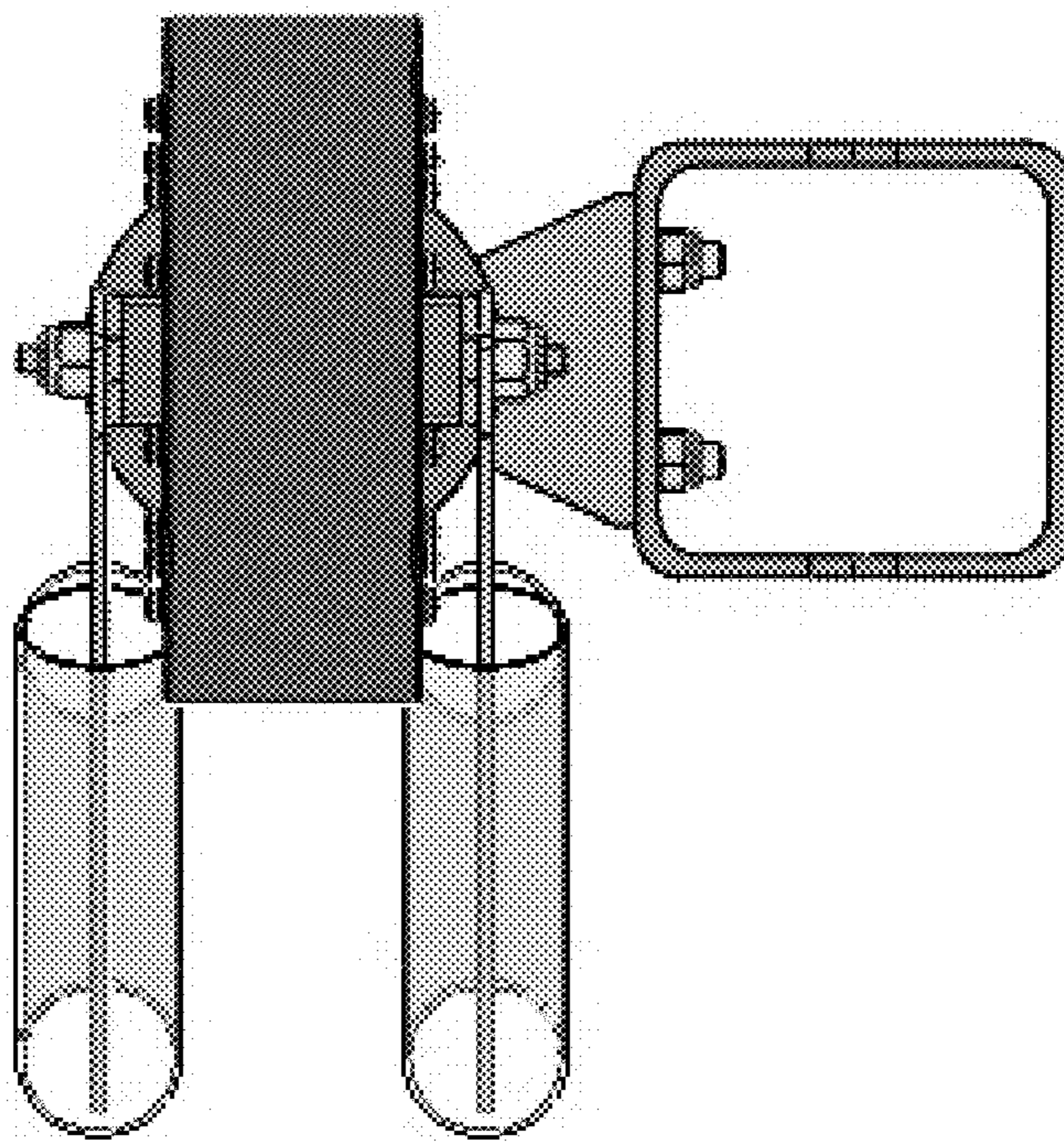
1.4



1.5



1.6



1.7

