



US00D891280S

(12) **United States Design Patent** (10) **Patent No.:** **US D891,280 S**
Aramaki et al. (45) **Date of Patent:** **** Jul. 28, 2020**

(54) **SHEET IDENTIFICATION SENSOR**

(71) Applicant: **Mitsubishi Electric Corporation,**
Tokyo (JP)

(72) Inventors: **Toru Aramaki,** Tokyo (JP); **Tomokazu Ogomi,** Tokyo (JP); **Hideki Matsui,** Tokyo (JP); **Hiroshi Koike,** Tokyo (JP)

(73) Assignee: **Mitsubishi Electric Corporation,**
Tokyo (JP)

(**) Term: **15 Years**

(21) Appl. No.: **29/677,447**

(22) Filed: **Jan. 21, 2019**

(30) **Foreign Application Priority Data**

Aug. 21, 2018 (JP) 2018-018131

(51) **LOC (12) Cl.** **10-04**

(52) **U.S. Cl.**
USPC **D10/97**

(58) **Field of Classification Search**
USPC D10/47

CPC .. G01R 33/02; G01R 33/0076; G01R 33/096;
G01R 33/091; G01R 33/098; G01R
33/093; G07D 7/00; G07D 7/04; G07D
7/026; G07D 7/189; G07D 7/121; G07D
2207/00; G07D 7/164; G07D 7/003;
G07D 7/0032; G07D 7/0034; G07D
7/004; G07D 7/0043; G07D 7/0047;
G07D 7/005; G07D 7/0051; G07D
7/0053; G07D 7/0054; G07D 7/0055;
G07D 7/0056; G07D 7/0057; G07D 7/01;
G07D 7/02; G07D 7/023; G07D 7/06;
G07D 7/08; G07D 7/10; G07D 7/12;
G07D 7/1205; G07D 7/128; G07D 7/14;
G07D 7/15; G07D 7/16; G07D 7/162;
G07D 7/17; G07D 7/181; G07D 7/182;
G07D 7/183; G07D 7/184; G07D 7/185;
G07D 7/187; G07D 7/20; G07D 7/2008;
G07D 7/2016; G07D 7/202; G07D

7/2033; G07D 7/2041; G07D 7/205;
G07D 7/206; G07D 7/207; G07D 7/2075;
G07D 7/2083; G07D 7/2091; G07D
2211/00; H04N 1/02815; H04N 1/00795
See application file for complete search history.

(56) **References Cited**

U.S. PATENT DOCUMENTS

5,747,986 A * 5/1998 Hristoforou G01D 5/485
178/18.07
7,157,905 B1 * 1/2007 Minamitani G01R 33/09
324/207.21
9,588,193 B2 * 3/2017 Miura G01R 33/1253
10,348,924 B2 * 7/2019 Fujiuchi H04N 1/19

* cited by examiner

Primary Examiner — Antoine Duval Davis

(74) *Attorney, Agent, or Firm* — Studebaker & Brackett
PC

(57) **CLAIM**

The ornamental design for a sheet identification sensor, as shown and described.

DESCRIPTION

FIG. 1 is a perspective view of the rear, left, and bottom sides of a sheet identification sensor showing our new design;
FIG. 2 is a perspective view of the rear, right, and top sides thereof;
FIG. 3 is a front view thereof;
FIG. 4 is a rear view thereof;
FIG. 5 is a left side view thereof;
FIG. 6 is a right side view thereof;
FIG. 7 is a top plan view thereof;
FIG. 8 is a bottom plan view thereof; and,
FIG. 9 is an enlarged view of a part 9-9.
The broken lines shown represent unclaimed subject matter of the sheet identification sensor and form no part of the claimed design.

1 Claim, 9 Drawing Sheets

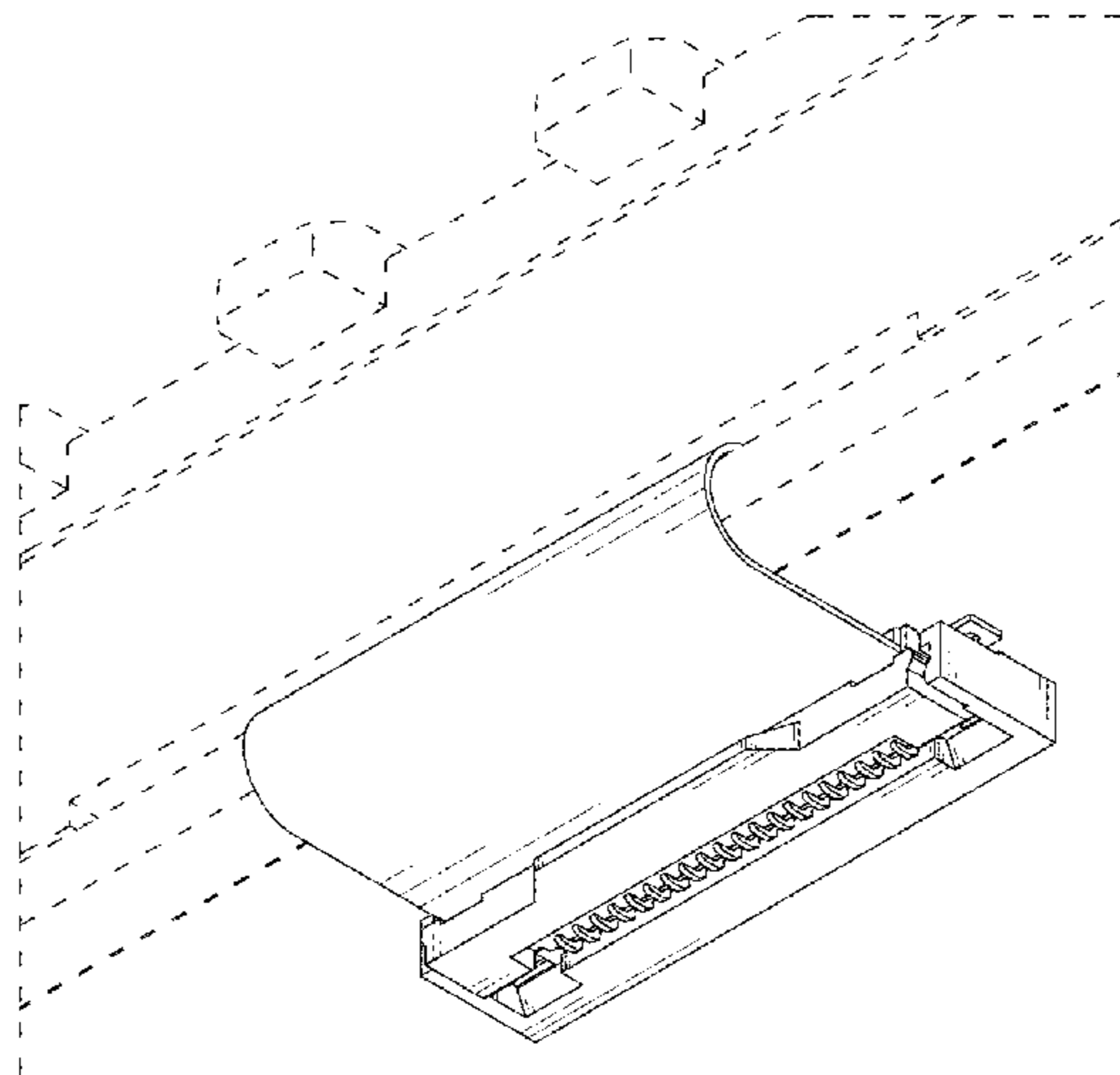


Fig.1

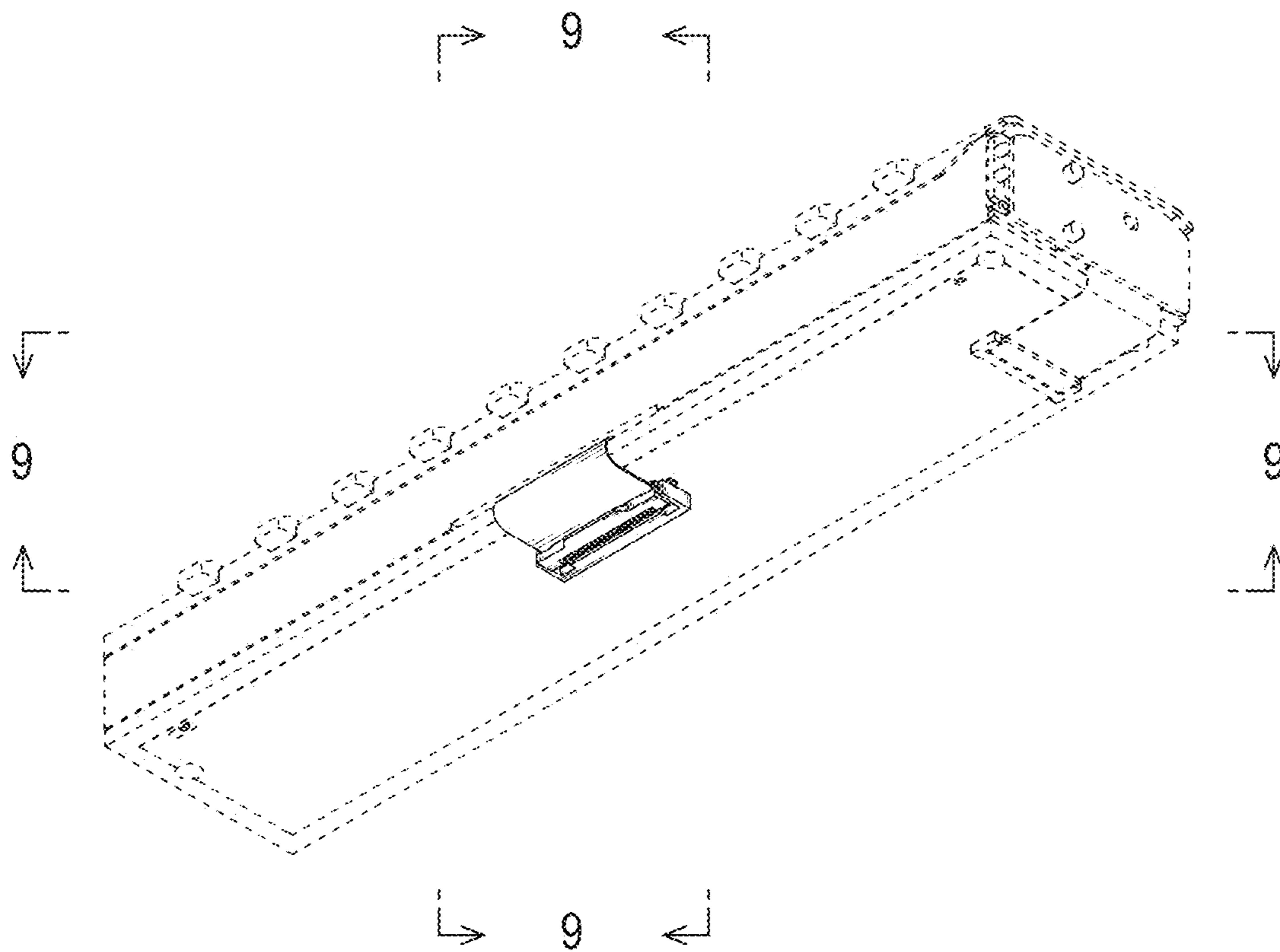


Fig.2

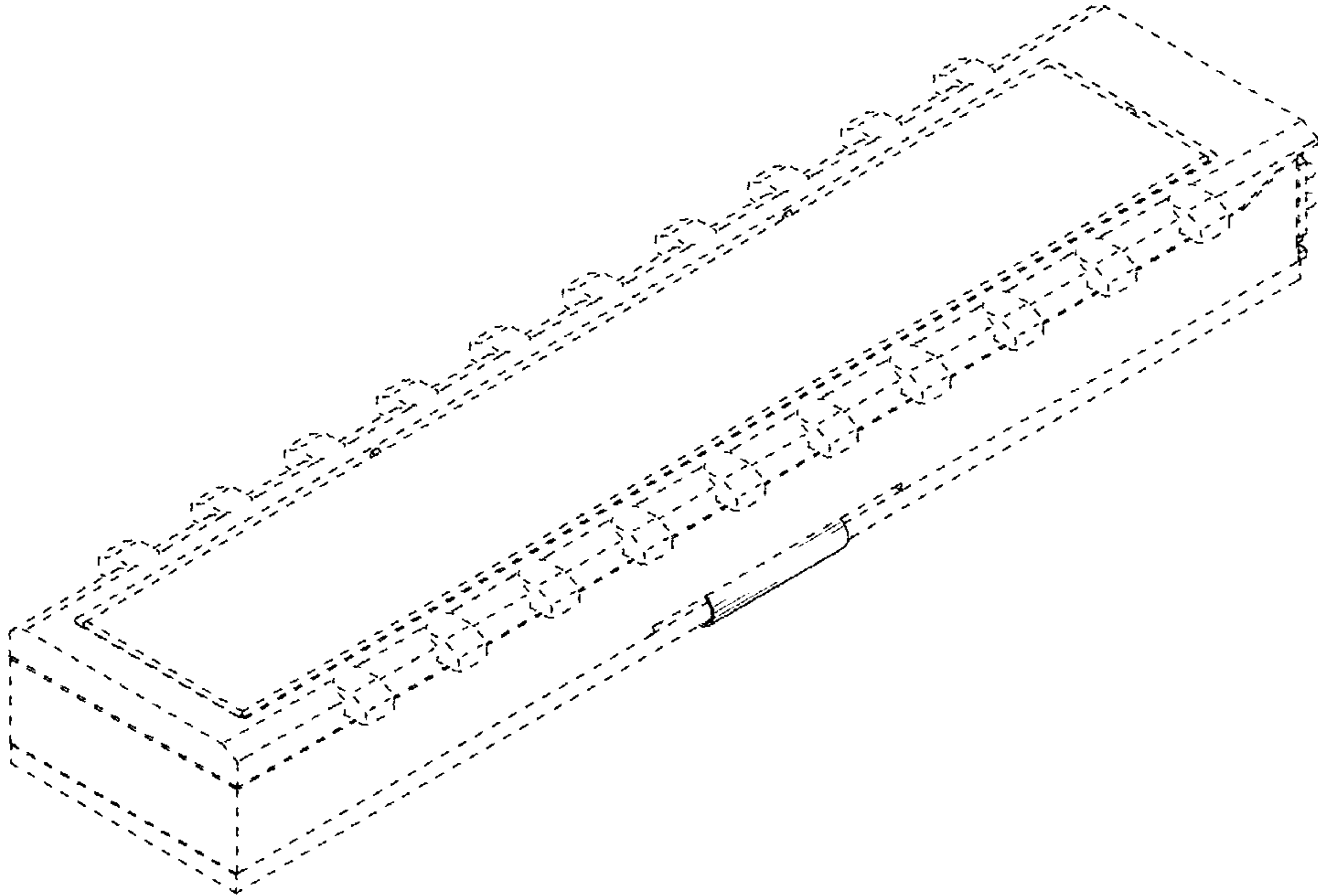


Fig.3

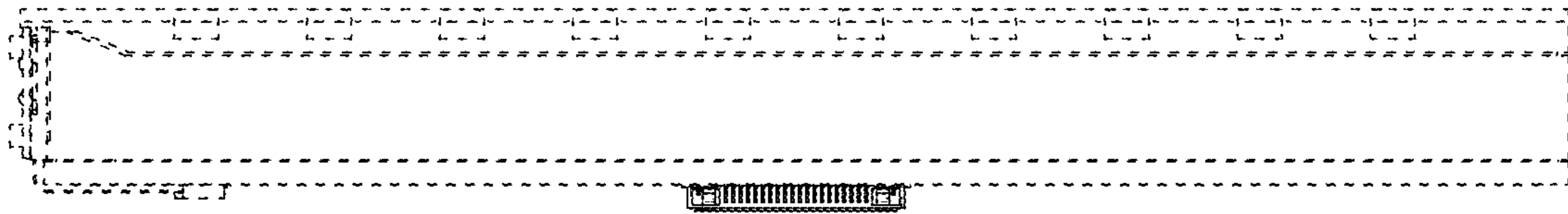


Fig.4

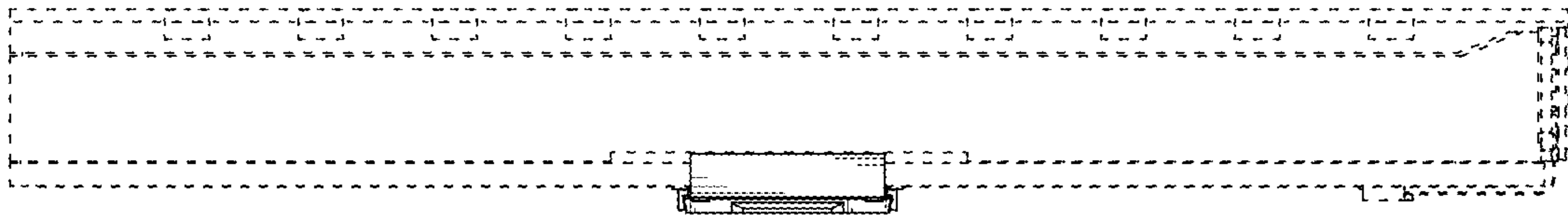


Fig.5



Fig.6

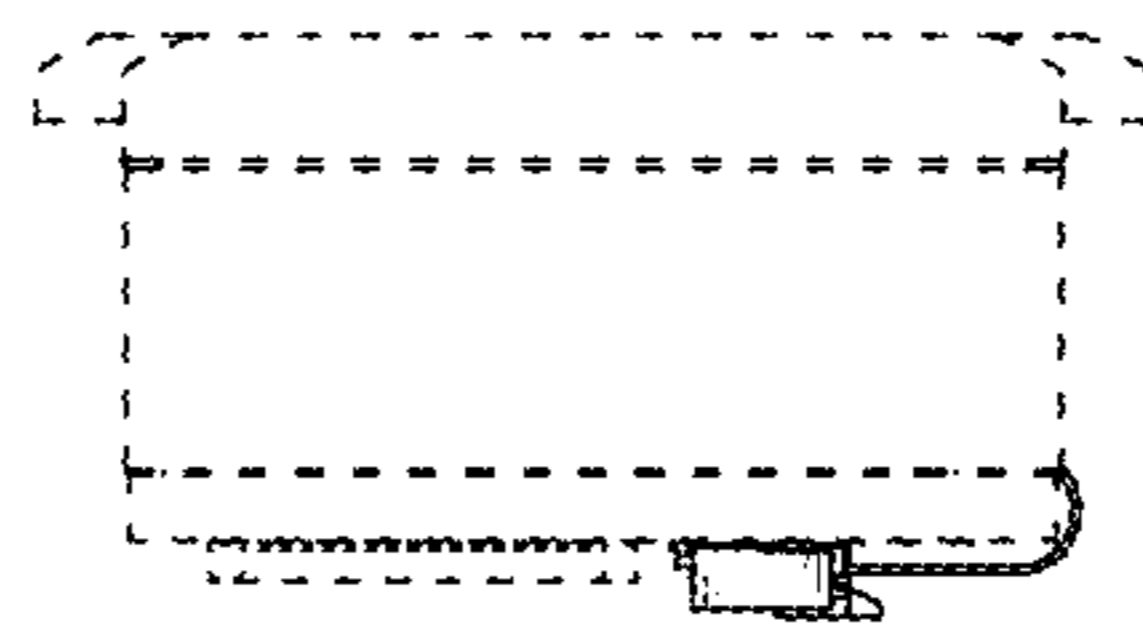


Fig.7

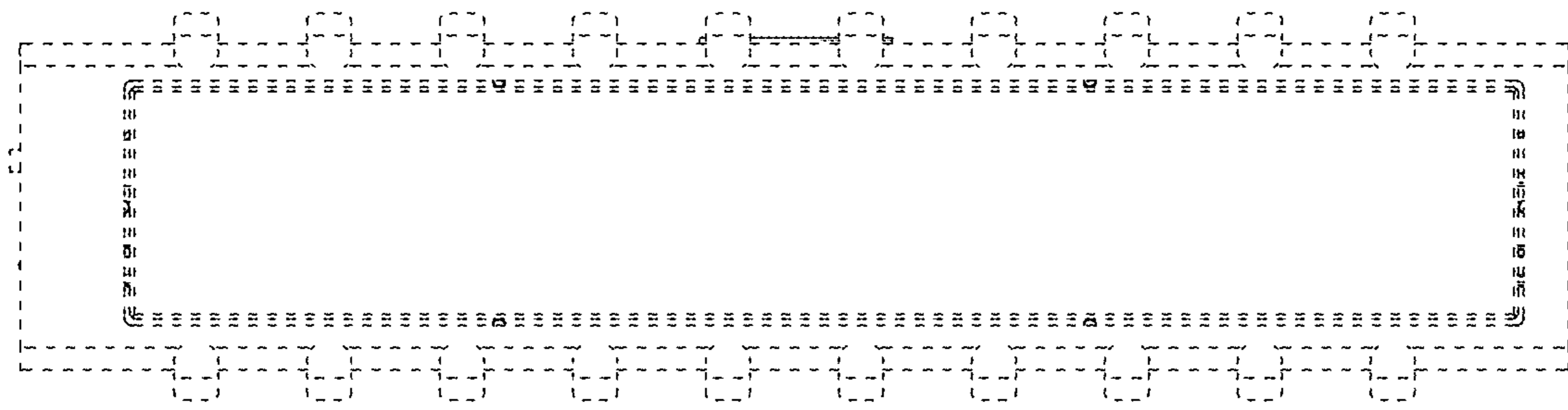


Fig.8

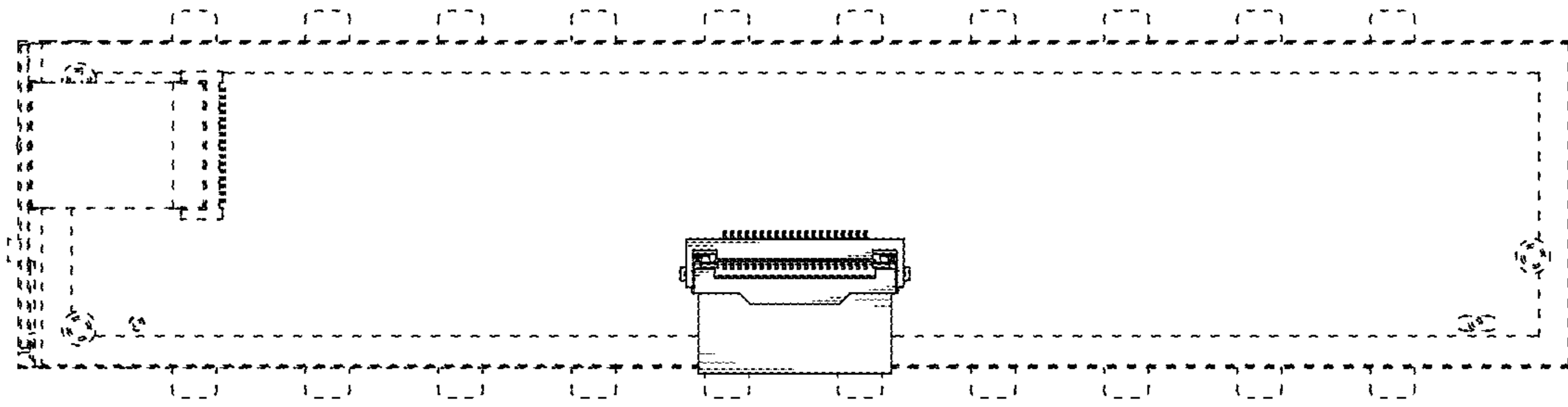


Fig.9

