



US00D891277S

(12) **United States Design Patent**
Yang et al.

(10) **Patent No.:** **US D891,277 S**
(45) **Date of Patent:** **** Jul. 28, 2020**

(54) **CEILING MOUNT SENSOR**

OTHER PUBLICATIONS

(71) Applicant: **Ademco Inc.**, Golden Valley, MN (US)

English language translation of bibliographic data and abstract of CN207112554 (U).

(72) Inventors: **Dezhi Yang**, Shanghai (CN); **Cui Du**, Shanghai (CN); **Stephen Lu**, Shanghai (CN); **Guobin Xu**, Shenzhen (CN)

English language translation of abstract, claims, and description of CN207112554.

(73) Assignee: **ADEMCO INC.**, Golden Valley, MN (US)

Simple 14.1" Diameter 3-Light Modern Flush Mount Ceiling Light, Lightsinhome, <https://www.lightsinhome.com/simple-141-diameter-3light-modern-flush-mount-ceiling-light-p-1973.html>, May 3, 2018.

(**) Term: **15 Years**

Mr. Beams® Wireless UltraBright Motion Sensor Ceiling Light MB990 (White), Mr. Beams, <http://mrbeams-nordic.com/indoor-lighting/mr-beams-wireless-ultrabright-motion-sensor-ceiling-light-mb990-white/>, May 3, 2018.

(21) Appl. No.: **29/675,761**

Voltafit LED POLO 2D 16W Bulkhead Emergency Sensor. LED Board Inside, Voltacon, <https://www.ledison-led-lights.co.uk/shop/voltafit-led-polo-2d-16w-bulkhead-emergency-sensor-led-board-inside/359.htm>, May 3, 2018.

(22) Filed: **Jan. 4, 2019**

* cited by examiner

(51) **LOC (12) Cl.** **10-04**

Primary Examiner — George D. Kirschbaum

(52) **U.S. Cl.**
USPC **D10/70**

(74) *Attorney, Agent, or Firm* — Husch Blackwell LLP

(58) **Field of Classification Search**
USPC D10/70, 106.1, 106.2, 106.6
See application file for complete search history.

(57) **CLAIM**

An ornamental design for a ceiling mount sensor, as shown and described.

(56) **References Cited**

DESCRIPTION

U.S. PATENT DOCUMENTS

FIG. 1 is a bottom perspective view of the ceiling mount sensor.

D312,423 S	*	11/1990	Orlinsky	D10/106.1
D337,733 S	*	7/1993	Ewing	D10/106.6
D337,734 S	*	7/1993	Platt	D10/106.2
D577,301 S	*	9/2008	Johnson	D10/106.1
D726,037 S	*	4/2015	Moeller	D10/106.6
D802,462 S		11/2017	Morneau et al.		
D833,897 S	*	11/2018	Simpson	D10/70
D851,509 S	*	6/2019	Du	D10/70

FIG. 2 is a front elevation view thereof.

FIG. 3 is a rear elevation view thereof.

FIG. 4 is a left side elevation view thereof.

FIG. 5 is a right side elevation view thereof; and,

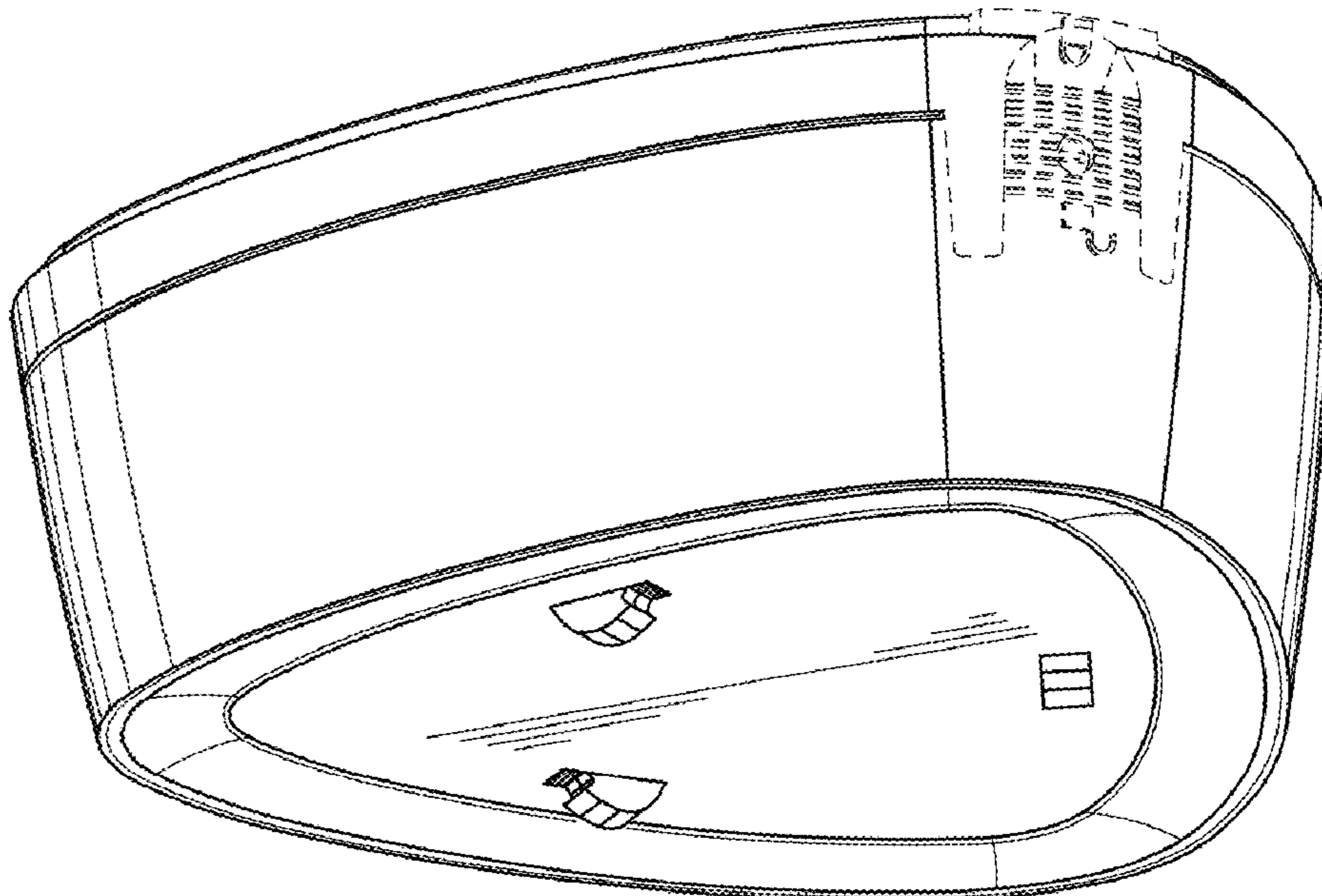
FIG. 6 is a bottom plan view thereof.

The top plan view of the ceiling mount sensor forms no part of the claimed design. The broken lines shown in the drawings depict subject matter that is hereby disclaimed and forms no part of the claimed design.

FOREIGN PATENT DOCUMENTS

CN	207112554 U	3/2018
EP	0 225 173 A2	6/1987

1 Claim, 4 Drawing Sheets



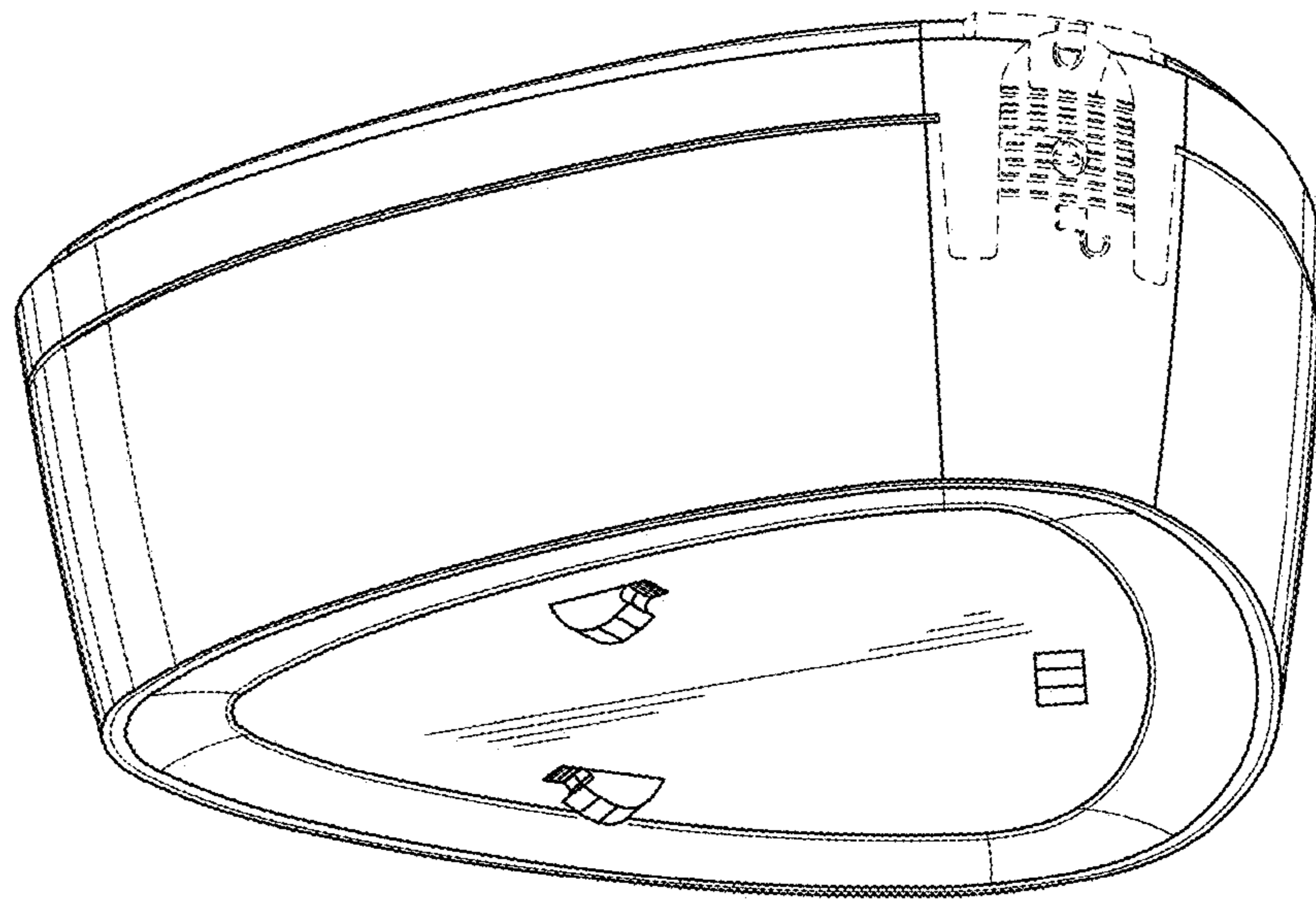


FIG. 1

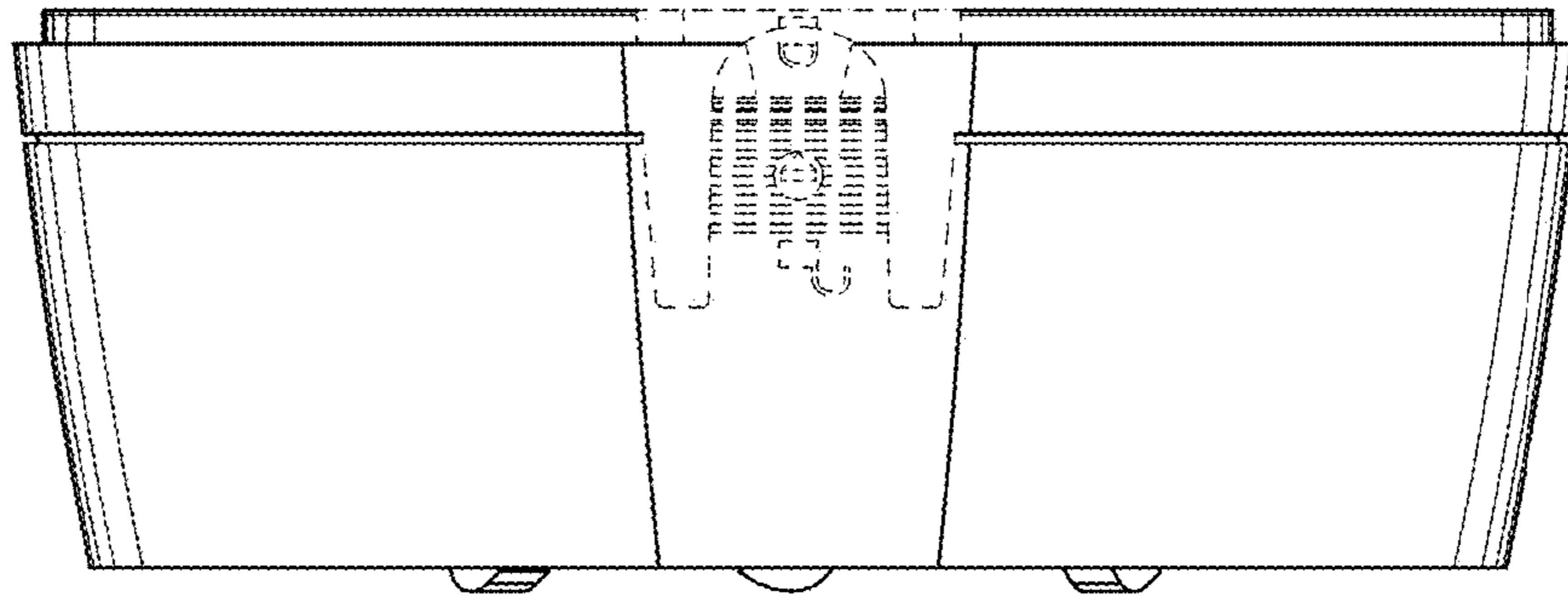


FIG. 2

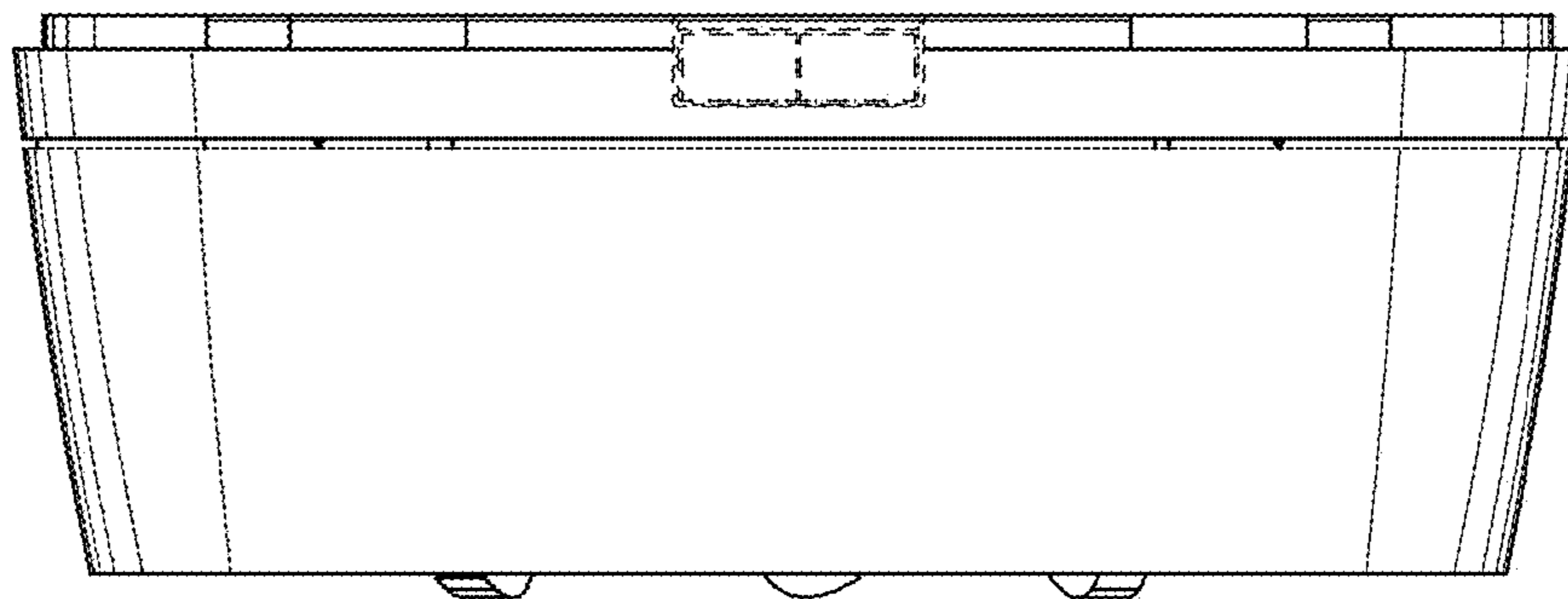


FIG. 3

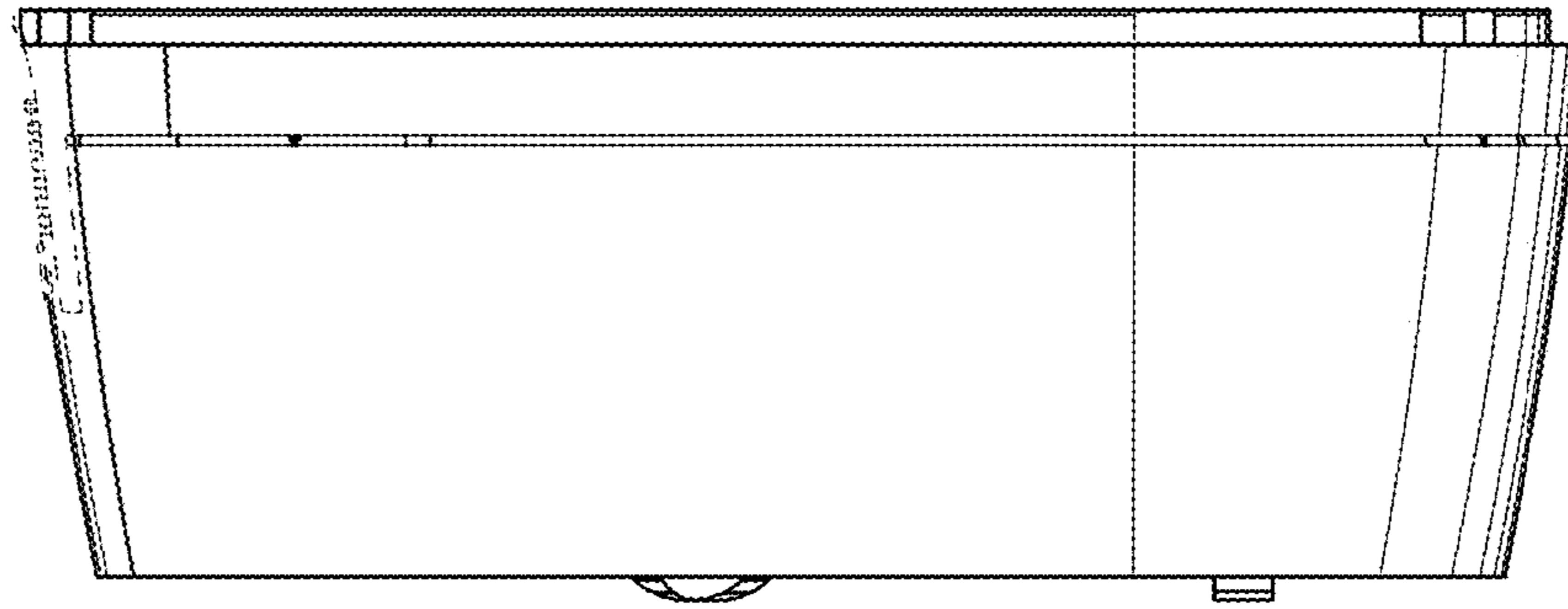


FIG. 4

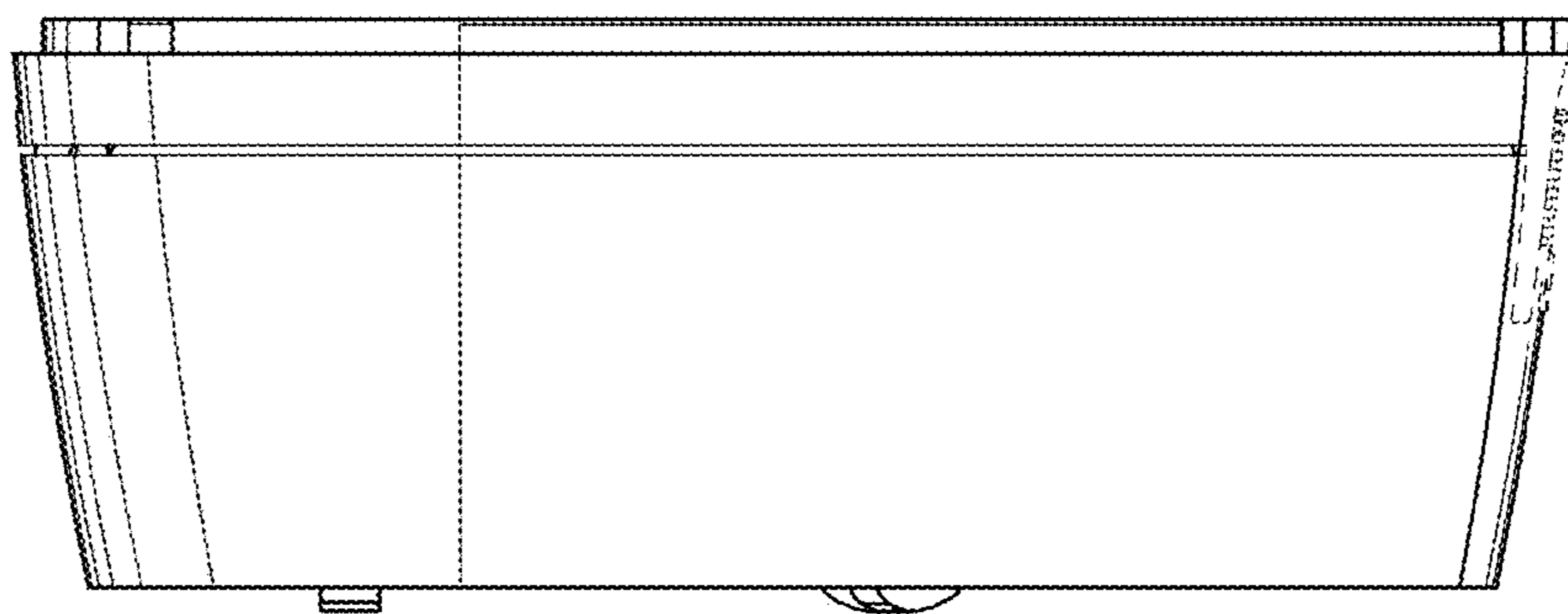


FIG. 5

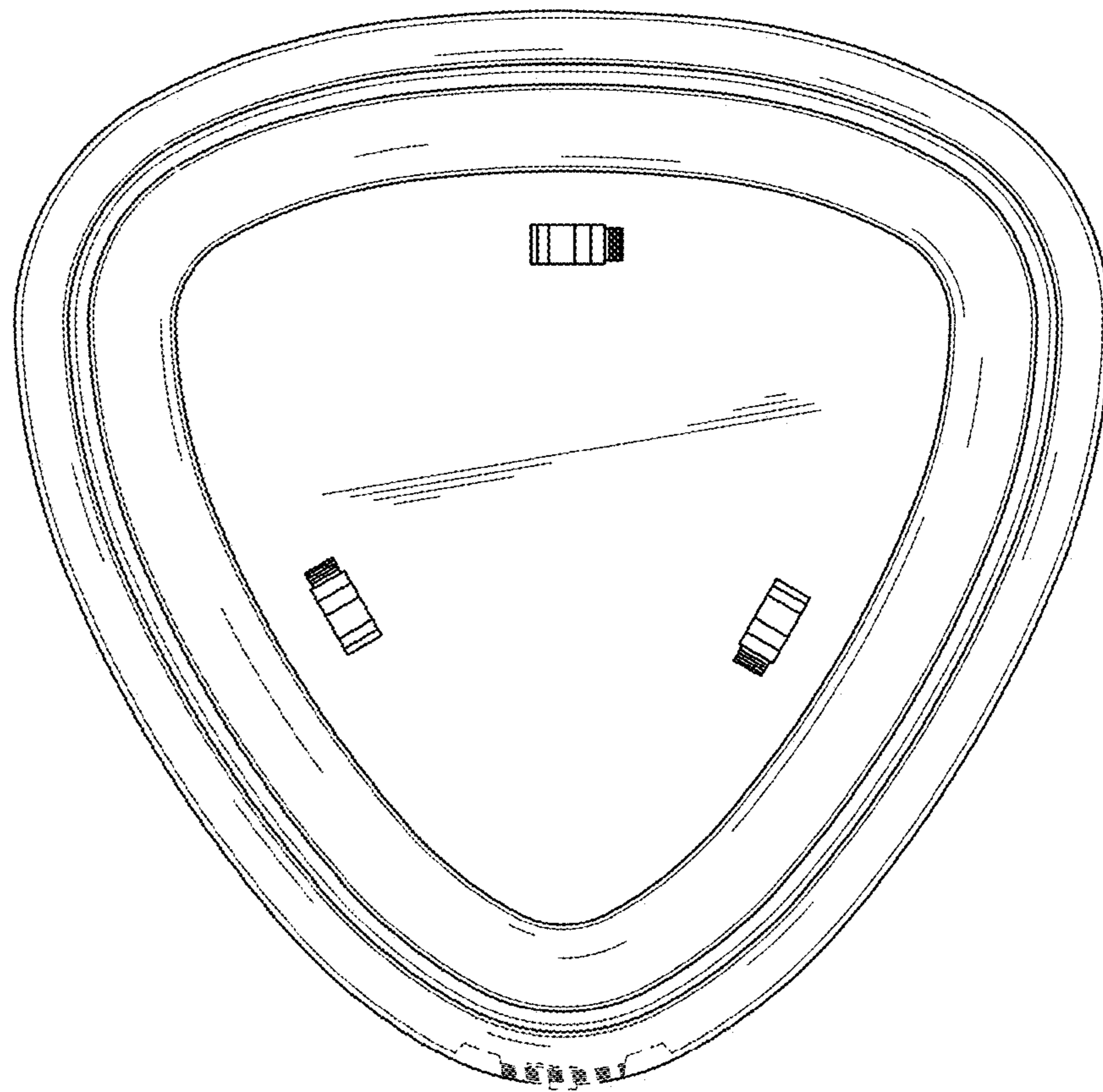


FIG. 6