



US00D891274S

(12) **United States Design Patent** (10) **Patent No.:** **US D891,274 S**  
**Abdelnour et al.** (45) **Date of Patent:** **\*\* Jul. 28, 2020**

(54) **PACKAGING TRAY**  
(71) Applicant: **MEATY MEATS INC.**, Mississauga (CA)  
(72) Inventors: **Peter Abdelnour**, Rockland (CA); **Gowkarran Mangru**, Rockland (CA)  
(73) Assignee: **MEATY MEATS INC.**, Mississauga, Ontario (CA)  
(\*\*) Term: **15 Years**  
(21) Appl. No.: **29/672,690**  
(22) Filed: **Dec. 7, 2018**  
(51) **LOC (12) Cl.** ..... **09-03**  
(52) **U.S. Cl.**  
USPC ..... **D9/761**; D7/553.3  
(58) **Field of Classification Search**  
USPC ..... D9/756, 737, 424, 425, 426, 428-432, D9/748, 749, 759-761, 601, 586, 701, D9/703, 708; D7/550.1, 554.3, 587, D7/554.4, 602, 553.1-553.8, 555; D3/20, D3/203.3, 294, 295, 313-315, 901, 304; D24/105, 176-180, 229, 230; 220/4.21-4.27, 500, 555, 556, 575, 507, 220/523, 524, DIG. 10, DIG. 20; 229/406, 120.03, 407, 904, 908; 433/77; D30/130; D21/392; D99/34; 206/0.83, 206/0.84, 557, 558, 564, 521.15, 587, 206/593, 443; 211/49.1; 53/246, 254  
CPC ..... B65B 31/028; B65B 19/34; B65D 1/30; B65D 1/34; B65D 2581/055; B65D 81/34; B65D 1/36; B65D 81/3453; B65D 85/36; B65D 21/02; B65D 21/0206; B65D 71/40; B65D 71/50; B65D 43/162; B65D 1/00; B65D 43/021; B65D 2543/00194; B65D 2543/00296; B65D 2543/00509; B65D 2543/00101; B65D 2543/00537; B65D 2543/00555; B65D 2577/2066; B65D 2101/0015; B65D

2571/00277; B65D 21/0233; B65D 71/70; B65D 1/44; B65D 2581/3416; B65D 81/133; A61C 17/005; A61C 19/006  
See application file for complete search history.

(56) **References Cited**

U.S. PATENT DOCUMENTS

2,609,301	A *	9/1952	Lindsey	.....	B65D 81/343 426/105
2,816,038	A *	12/1957	Thommen	.....	B65D 1/36 426/105
3,272,371	A *	9/1966	Weiner	.....	B65D 71/70 206/511
D209,605	S *	12/1967	Zoeller et al.	.....	D7/359
D215,823	S *	11/1969	Bridgford	.....	D9/456
3,591,032	A *	7/1971	Baxter	.....	B65D 1/36 217/26.5
3,676,159	A *	7/1972	Fallowfield	.....	B65D 1/36 206/205
3,707,227	A *	12/1972	Britt	.....	B01L 9/06 206/443
3,780,187	A *	12/1973	Bard	.....	B65D 75/30 426/113

(Continued)

*Primary Examiner* — W. A. Teddy Falloway

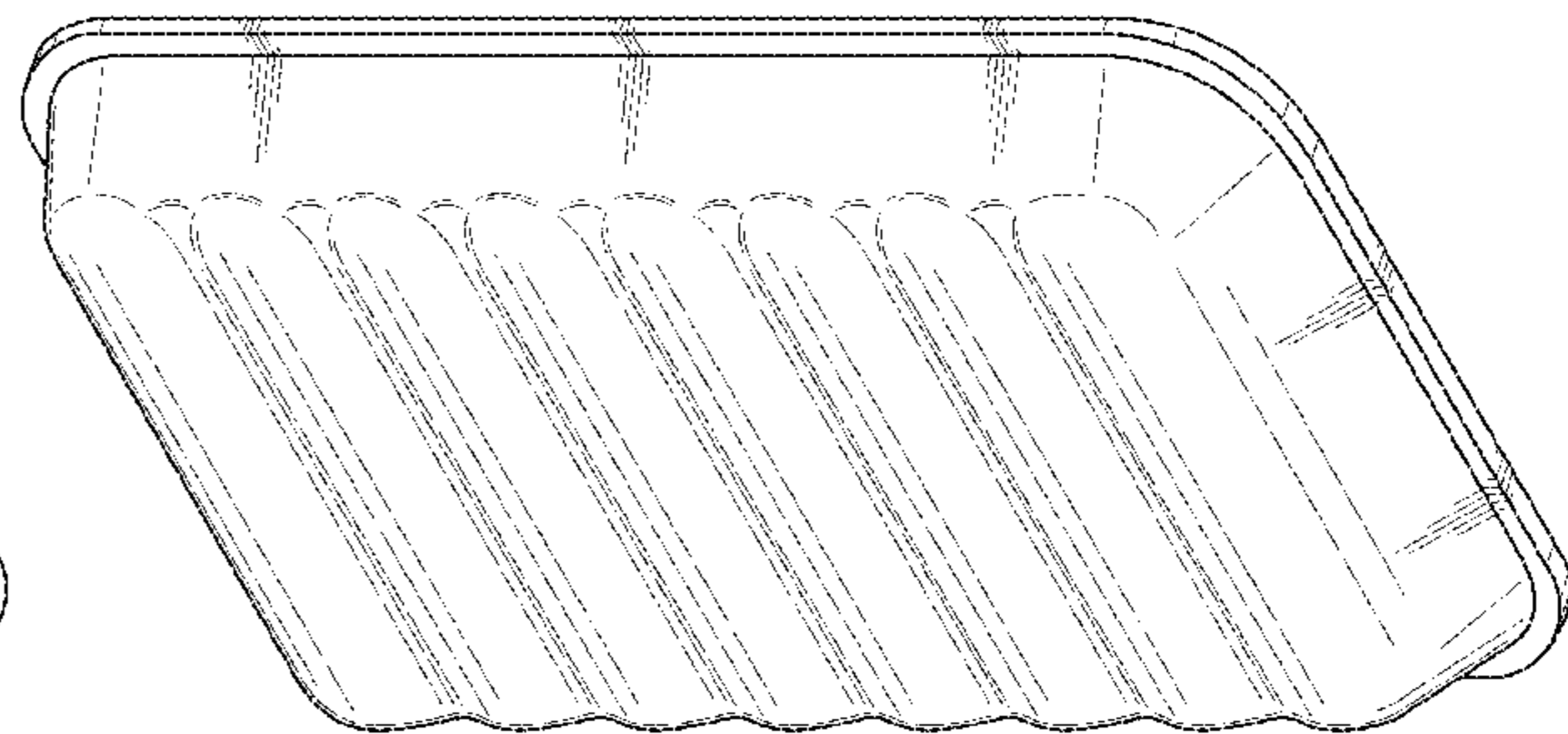
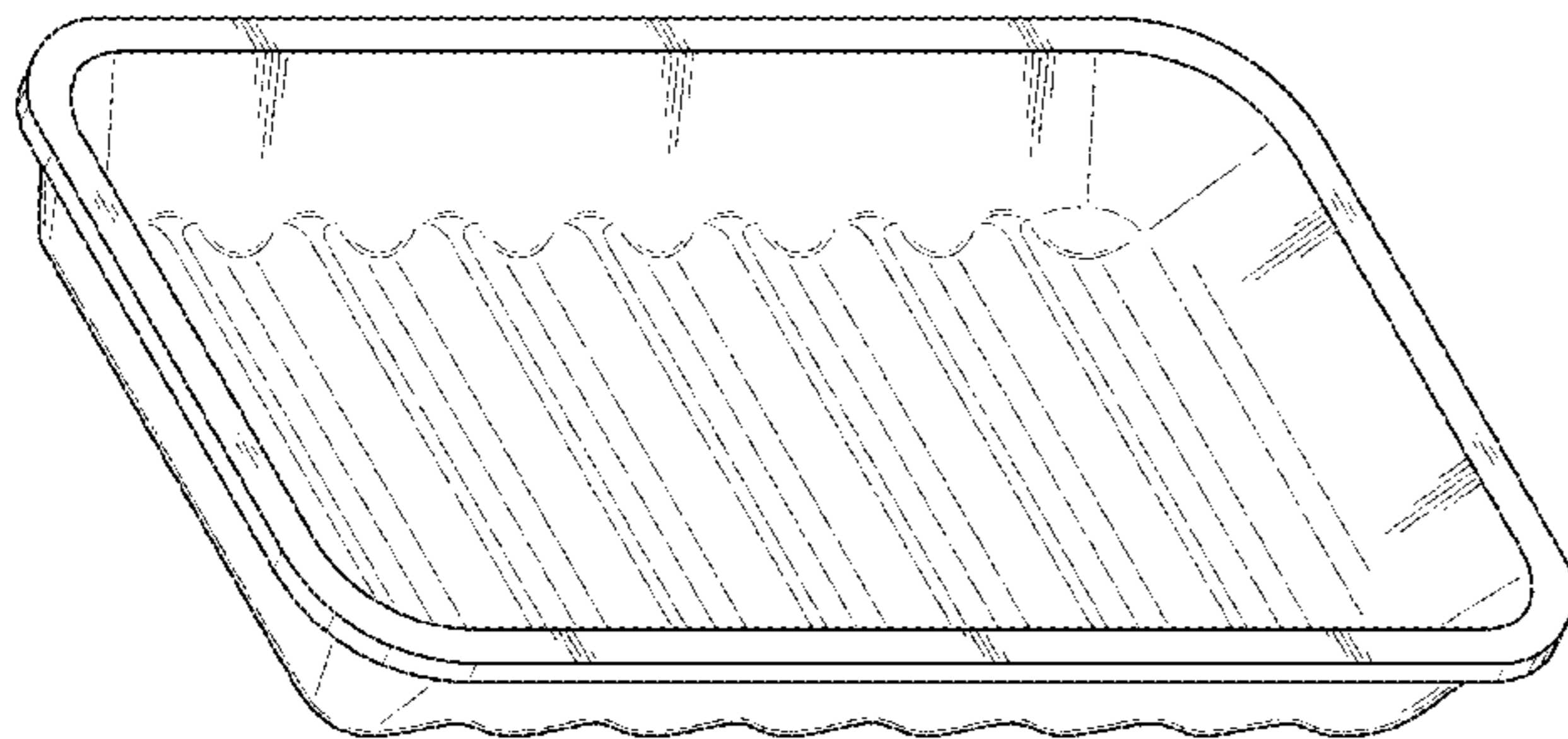
(57) **CLAIM**

The ornamental design for a packaging tray, as shown and described.

**DESCRIPTION**

FIG. 1 is a top isometric view of a packaging tray;  
FIG. 2 is a bottom isometric view thereof;  
FIG. 3 is a bottom view thereof;  
FIG. 4 is a top view thereof;  
FIG. 5 is a side view thereof;  
FIG. 6 is an opposite side view thereof;  
FIG. 7 is an end view thereof; and,  
FIG. 8 is an opposite end view thereof.

**1 Claim, 3 Drawing Sheets**



(56)

References Cited

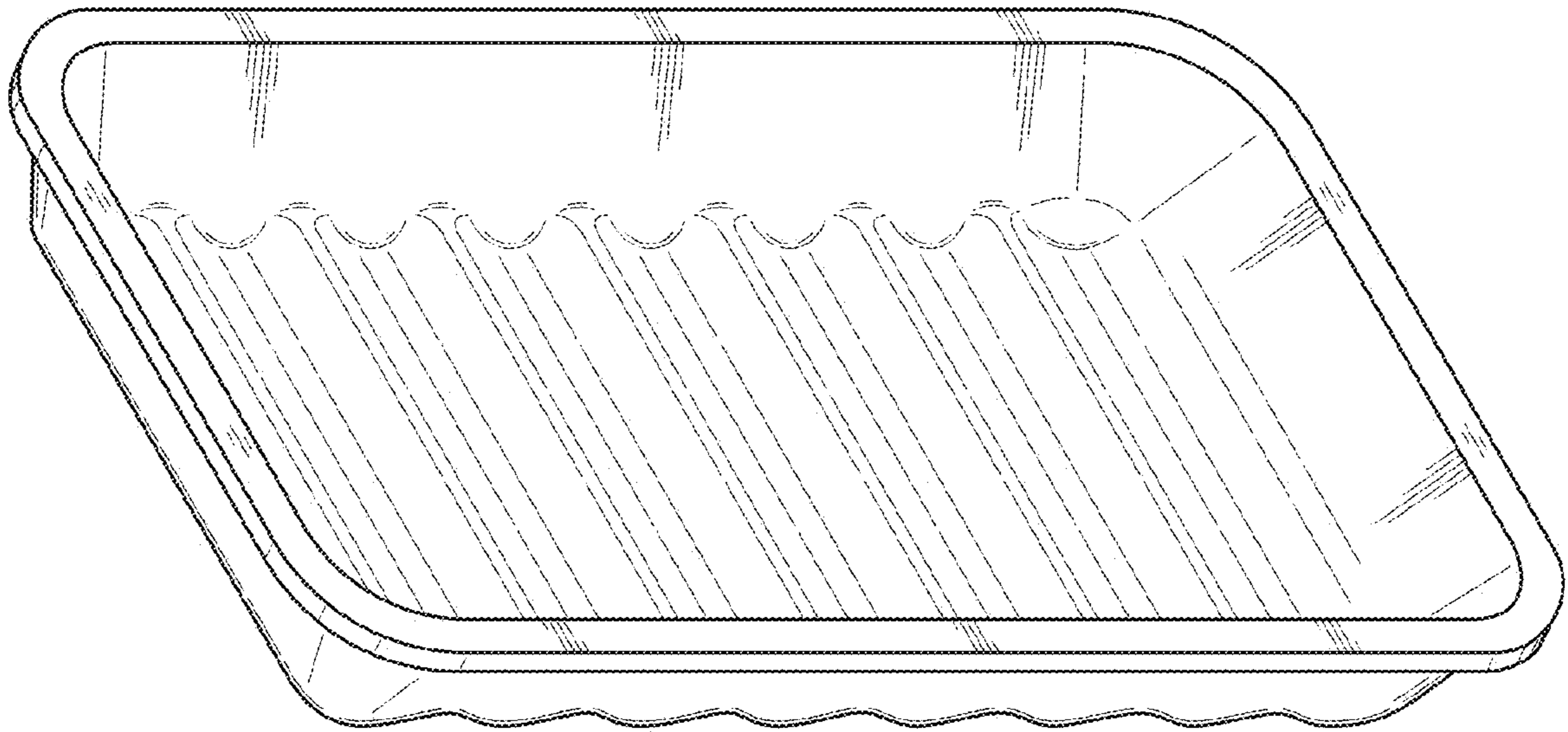
U.S. PATENT DOCUMENTS

3,813,025 A \* 5/1974 Solomon ..... B65B 5/06  
 229/406  
 3,994,212 A \* 11/1976 Wong ..... A47J 36/027  
 99/444  
 4,349,124 A \* 9/1982 Faller ..... B65D 1/44  
 220/608  
 D268,646 S \* 4/1983 Hudson, Jr. .... D9/425  
 D274,693 S \* 7/1984 Cruz ..... D9/425  
 D293,193 S \* 12/1987 Vandervoort ..... D7/354  
 4,981,109 A \* 1/1991 Vaught ..... A01K 39/014  
 119/61.5  
 5,151,568 A \* 9/1992 Rippley ..... B65D 81/265  
 219/732  
 D353,302 S \* 12/1994 Fish ..... D7/504  
 D353,765 S \* 12/1994 Kocis ..... D9/761  
 5,394,986 A \* 3/1995 Oya ..... B65D 21/0212  
 206/445  
 5,586,677 A \* 12/1996 Foos ..... B65D 43/162  
 206/815  
 D417,592 S \* 12/1999 Jeppesen ..... D7/502

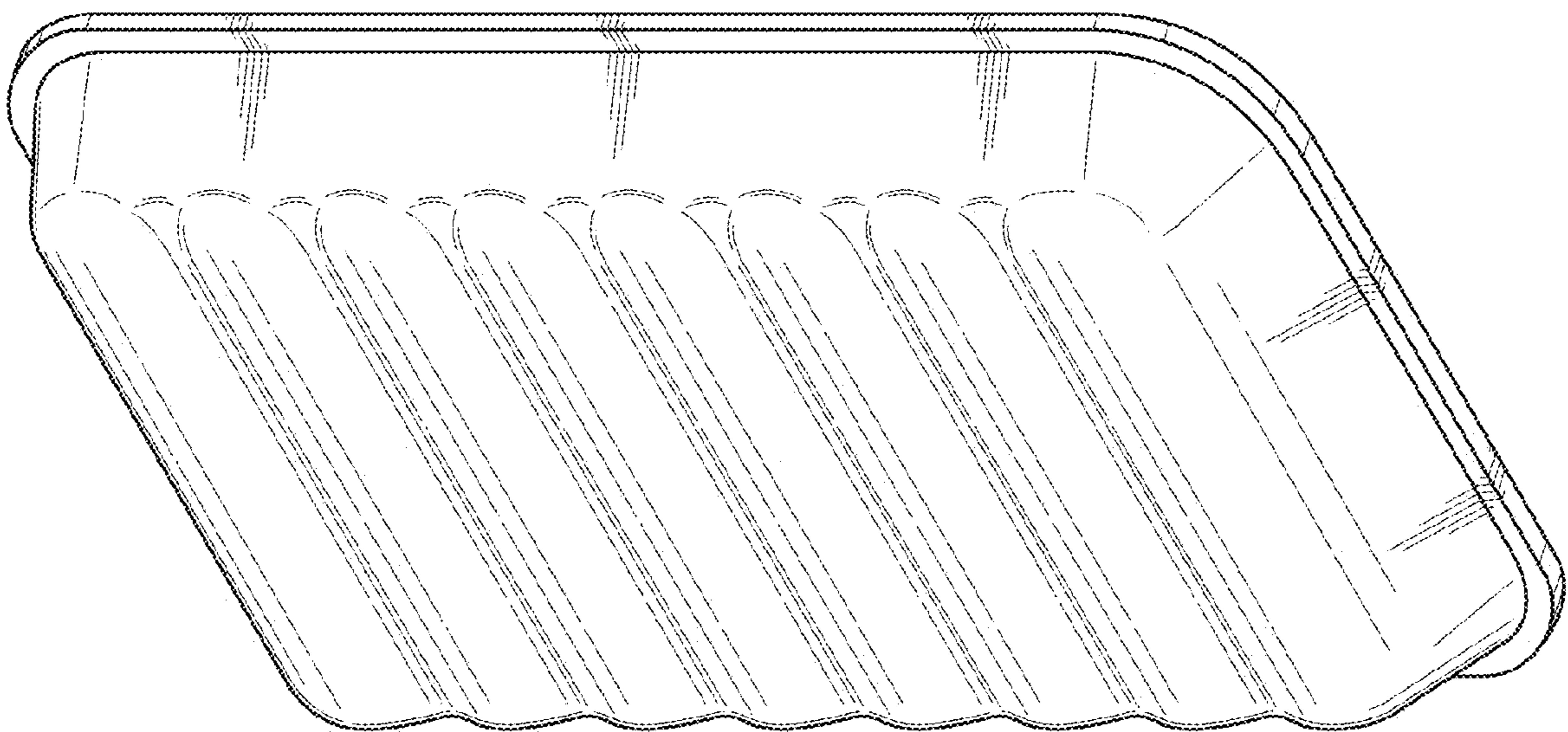
D472,710 S \* 4/2003 Dembicks ..... D3/313  
 D478,210 S \* 8/2003 Dembicks ..... D3/305  
 6,648,138 B1 \* 11/2003 Kelly ..... A63B 47/002  
 206/315.9  
 D502,061 S \* 2/2005 Dais ..... D7/629  
 D645,343 S \* 9/2011 Allers ..... D9/424  
 D653,075 S \* 1/2012 Lupkes ..... D7/359  
 D654,517 S \* 2/2012 Merritt ..... D15/90  
 D665,273 S \* 8/2012 Castelletti ..... D9/758  
 D692,067 S \* 10/2013 Miller ..... D21/392  
 D692,068 S \* 10/2013 Miller ..... D21/392  
 D714,877 S \* 10/2014 Kneitel ..... D21/392  
 D734,146 S \* 7/2015 Fischer ..... D9/424  
 D751,291 S \* 3/2016 MacNeil ..... D3/304  
 D770,544 S \* 11/2016 Lee ..... D15/89  
 D779,151 S \* 2/2017 Clements ..... D1/122  
 D812,476 S \* 3/2018 Bergeron ..... D9/456  
 10,421,601 B2 \* 9/2019 Bergeron ..... B65D 85/72  
 2008/0116099 A1 \* 5/2008 Garcia ..... B65D 1/36  
 206/503  
 2010/0230322 A1 \* 9/2010 Nicholson ..... B65D 1/34  
 206/560  
 2018/0215529 A1 \* 8/2018 Bergeron ..... B65D 85/08

\* cited by examiner

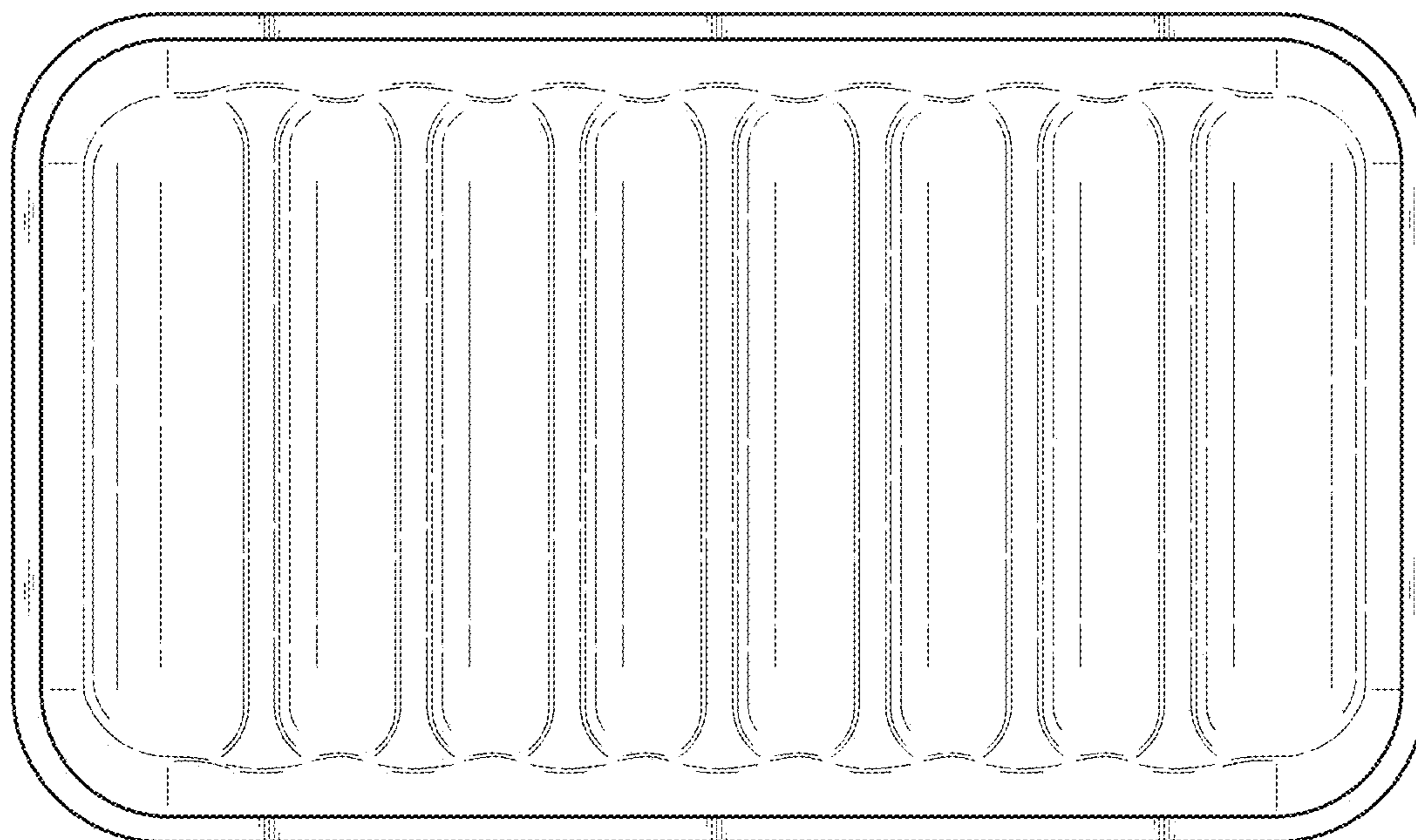




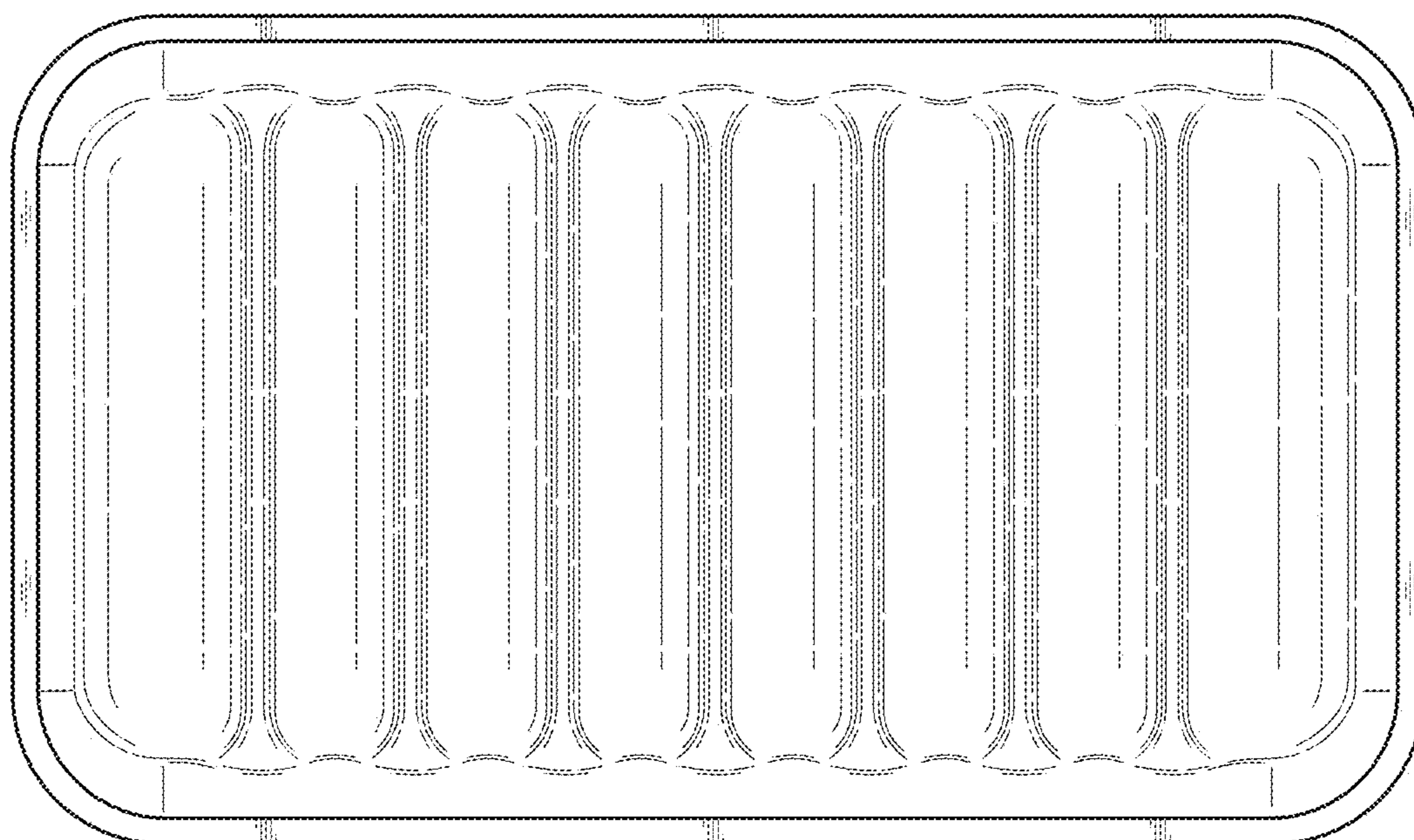
**FIG. 1**



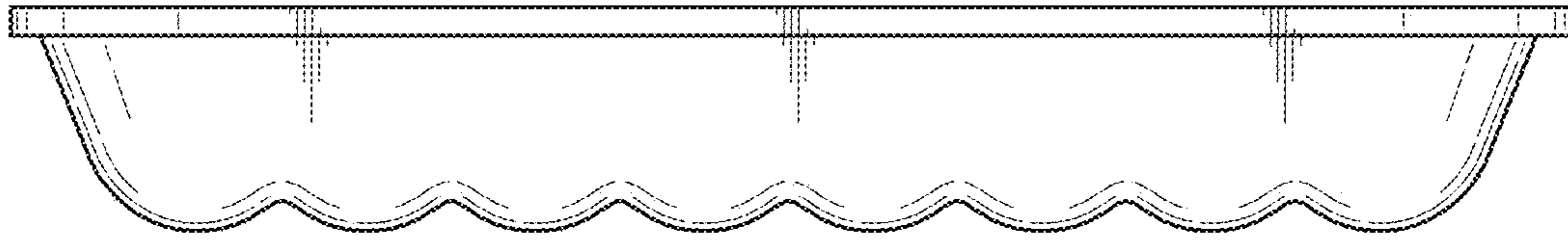
**FIG. 2**



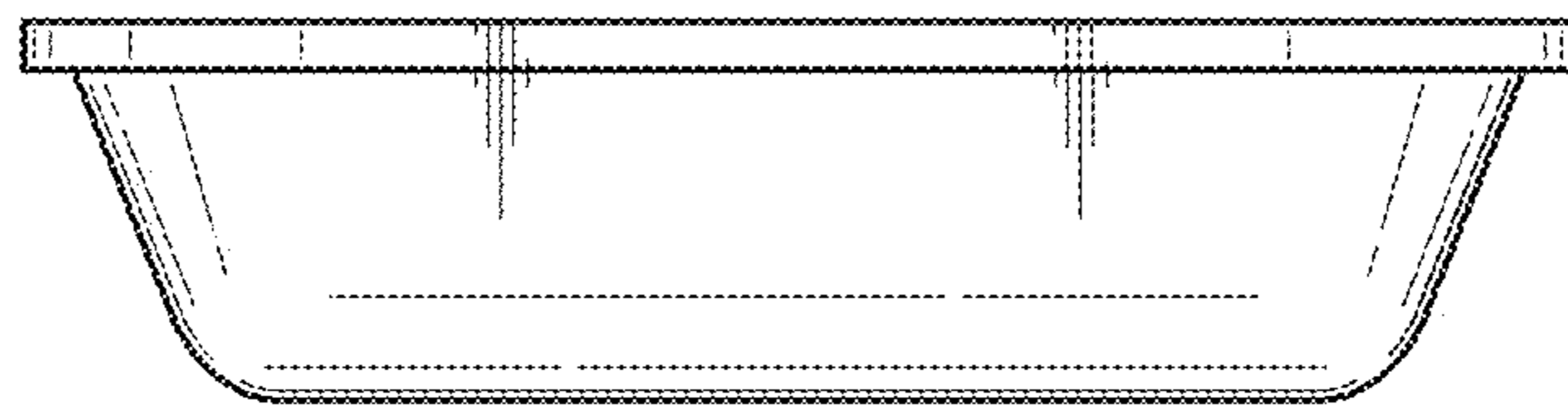
**FIG. 3**



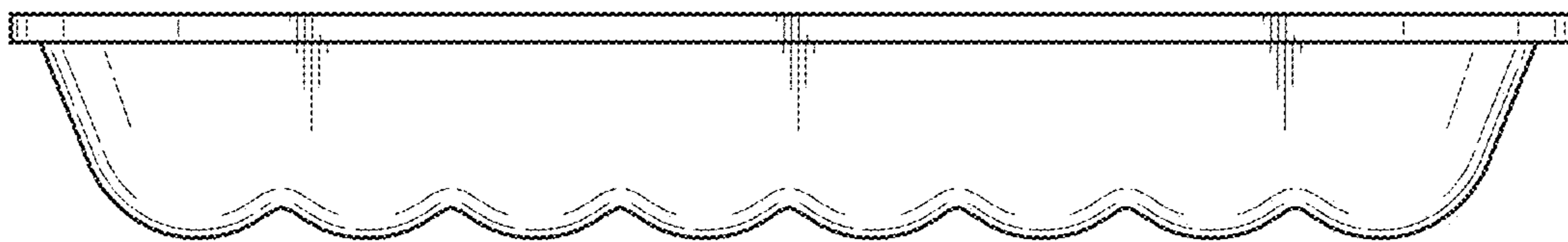
**FIG. 4**



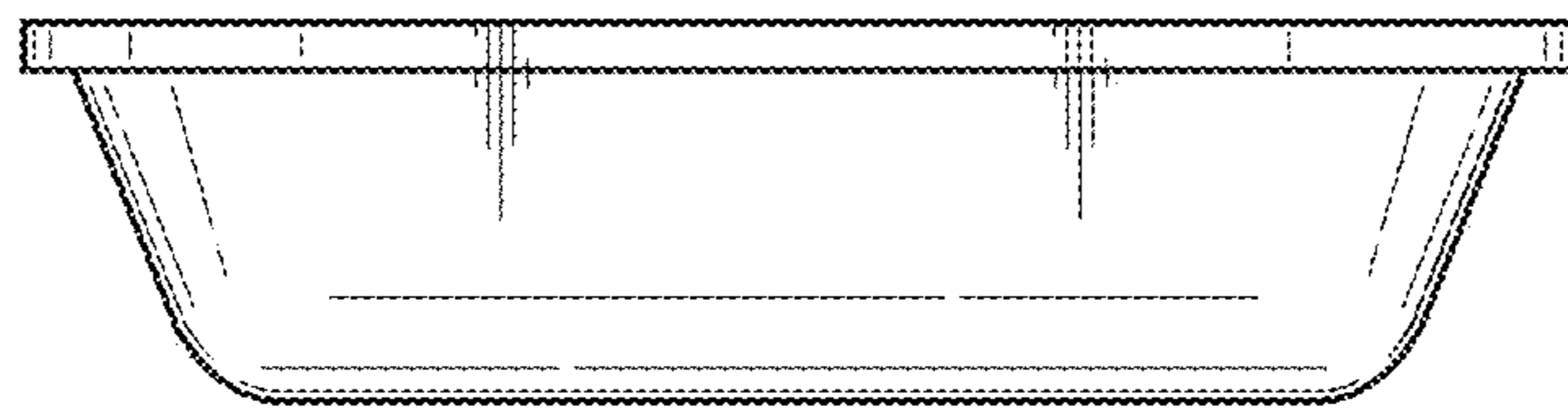
**FIG. 5**



**FIG. 6**



**FIG. 7**



**FIG. 8**