



US00D891267S

(12) **United States Design Patent**
Lin et al.

(10) **Patent No.:** **US D891,267 S**
(45) **Date of Patent:** **** Jul. 28, 2020**

(54) **TAMPER EVIDENT BAG**

- (71) Applicant: **Inteplast Group Corporation**,
Livingston, NJ (US)
- (72) Inventors: **Sumei Lin**, Morristown, NJ (US);
Li-yung Chang, Livingston, NJ (US);
Ben Tseng, Somerset, NJ (US)
- (73) Assignee: **Inteplast Group Corporation**,
Livingston, NJ (US)
- (**) Term: **15 Years**
- (21) Appl. No.: **29/650,650**
- (22) Filed: **Jun. 8, 2018**

Related U.S. Application Data

- (63) Continuation of application No. 15/884,664, filed on
Jan. 31, 2018.
- (51) **LOC (12) Cl.** **09-05**
- (52) **U.S. Cl.**
USPC **D9/703**
- (58) **Field of Classification Search**
USPC D9/702-714, 499, 443, 435, 434, 415;
D24/118, 121; 426/106; 383/61.1, 42,
(Continued)

(56) **References Cited**

U.S. PATENT DOCUMENTS

- 3,090,483 A 5/1963 Altree et al.
 - 3,124,298 A 3/1964 Repko
- (Continued)

FOREIGN PATENT DOCUMENTS

- GB 2035258 6/1980
 - GB 2339187 A 1/2000
- (Continued)

OTHER PUBLICATIONS

Non-Final Office Action, U.S. Appl. No. 15/884,664, dated Feb. 4,
2019, pp. 8.

(Continued)

Primary Examiner — Abraham Bahta
(74) *Attorney, Agent, or Firm* — Stinson LLP

(57) **CLAIM**

The ornamental design for a tamper evident bag, as shown
and described.

DESCRIPTION

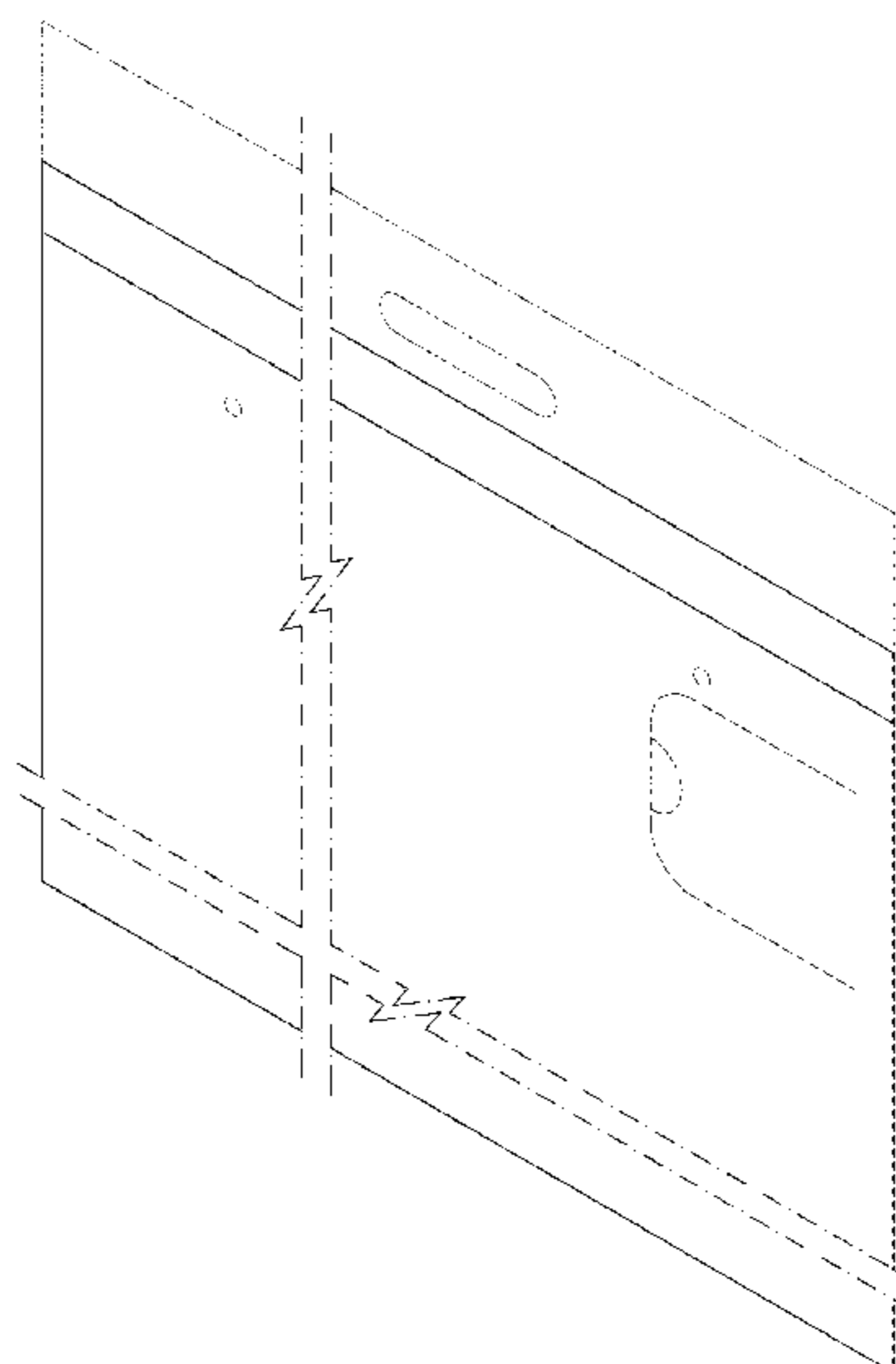
FIG. 1 is a perspective of a tamper evident bag with a closure panel in a lowered orientation;
FIG. 2 is a perspective of the tamper evident bag of FIG. 1 with the closure panel in a raised orientation;
FIG. 3 is a front view of the tamper evident bag of FIG. 1;
FIG. 4 is a rear view thereof, the right side, left side, top and bottom views forming no part of the present invention;
FIG. 5 is a front view of a second embodiment of a tamper evident bag;
FIG. 6 is a front view of a third embodiment of a tamper evident bag; and,
FIG. 7 is a front view of a fourth embodiment of a tamper evident bag.

The perspective views and rear view of the embodiments in FIGS. 5-7 are as shown in FIGS. 1, 2 and 4, except that the tamper evident bag has the tear out section, defined by lines of perforations, of the shape shown in the embodiments of FIGS. 5-7.

The elements shown in broken lines of dashes of substantially equal length indicate lines of perforations, which are aspects of the claimed design. The elements shown in broken lines in a dashed, long-short-short-long pattern form no part of the claimed design.

Break lines indicate no specific height or no specific width with portions between the respective break lines forming no part of the claimed design.

1 Claim, 7 Drawing Sheets



(58) **Field of Classification Search**

USPC 383/119, 108, 103, 106, 120, 127;
 222/92, 107, 215; 220/666; 211/85.15;
 206/406, 811, 484, 260; 428/35.2;
 D3/203.1, 203.2, 303
 CPC B65D 33/00; B65D 33/24; B65D 1/00;
 B65D 1/32; B65D 11/00; B65D 11/10;
 B65D 11/20; B65D 17/00; B65D 17/04;
 A61J 1/00; A61J 1/10

See application file for complete search history.

5,593,229	A	1/1997	Warr
5,655,843	A	8/1997	Conrad et al.
5,666,445	A	9/1997	Conrad et al.
5,676,467	A	10/1997	Gebhardt
5,741,077	A	4/1998	Sasaki et al.
5,951,166	A	9/1999	Matsumoto
6,033,392	A	3/2000	Frey et al.
D557,148	S	12/2007	Kapinos, Sr.
7,530,740	B2	5/2009	Geyer
D777,569	S *	1/2017	Boekeloo D9/416
D799,337	S	10/2017	Bhati
2011/0045220	A1	2/2011	Rush
2017/0050768	A1	2/2017	Tseng et al.
2017/0253385	A1	9/2017	Sargin
2018/0162603	A1	6/2018	Tan

(56) **References Cited**

U.S. PATENT DOCUMENTS

3,896,966	A	7/1975	Canno
4,483,018	A	11/1984	Whelan
4,573,203	A	2/1986	Peppiatt
4,691,368	A	9/1987	Roessiger
4,834,552	A	5/1989	Makowka
4,966,286	A	10/1990	Muckenfuhs
5,048,687	A	9/1991	Suzuki et al.
5,054,619	A	10/1991	Muckenfuhs
D323,797	S	2/1992	Forman et al.
5,163,558	A	11/1992	Palumbo et al.
5,361,905	A	11/1994	McQueeney et al.
5,372,428	A	12/1994	Bruno et al.
5,482,376	A	1/1996	Moseley et al.

FOREIGN PATENT DOCUMENTS

JP	H0302754	A	2/1991
JP	H08182524	A	7/1996
JP	2009269622	A	11/2009
WO	9818678		5/1998

OTHER PUBLICATIONS

Web-page for Seal2Go—Pan Pacific, <http://pppmi.com/seal-2-go/>
 pp. 3.

* cited by examiner

FIG. 1

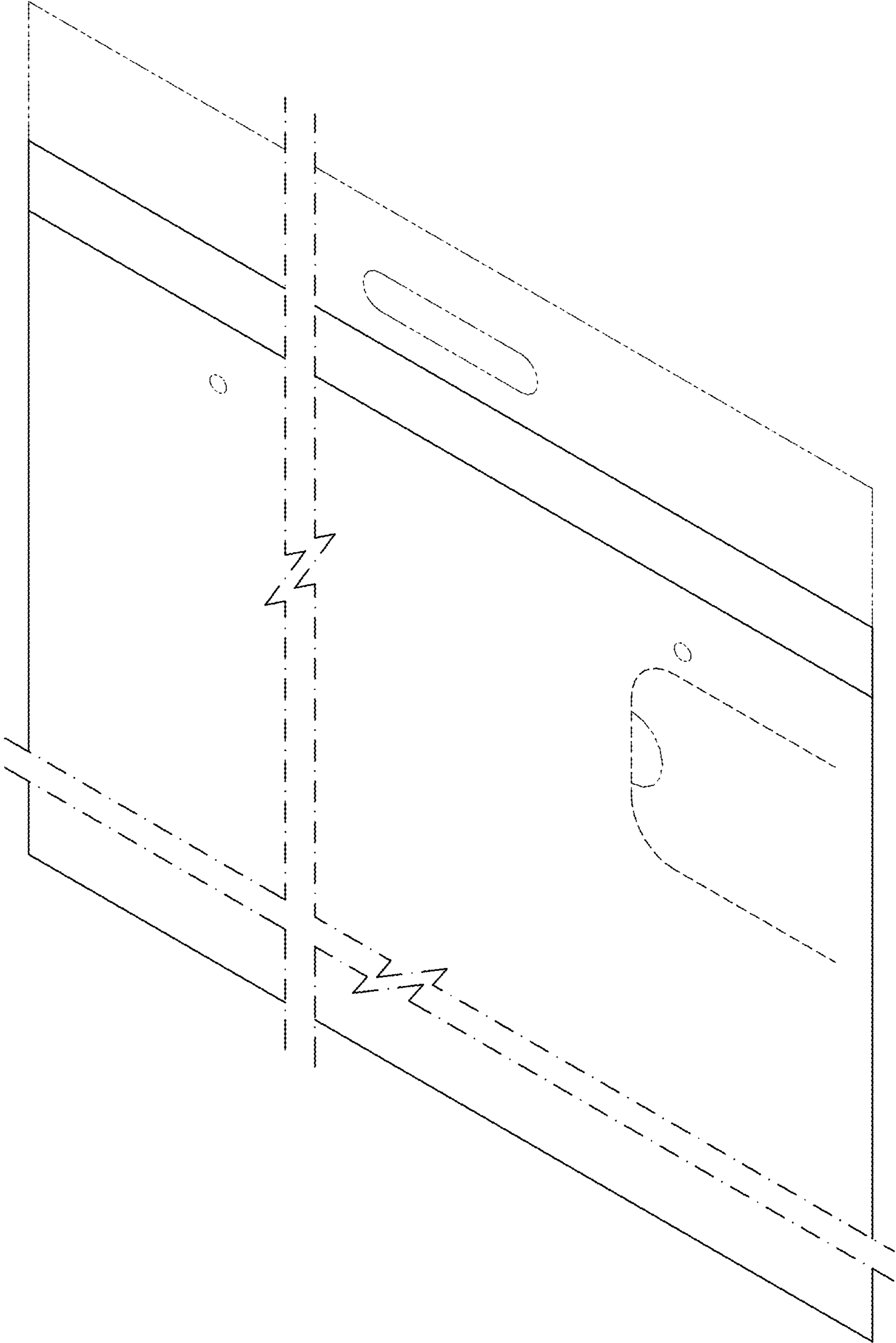


FIG. 2

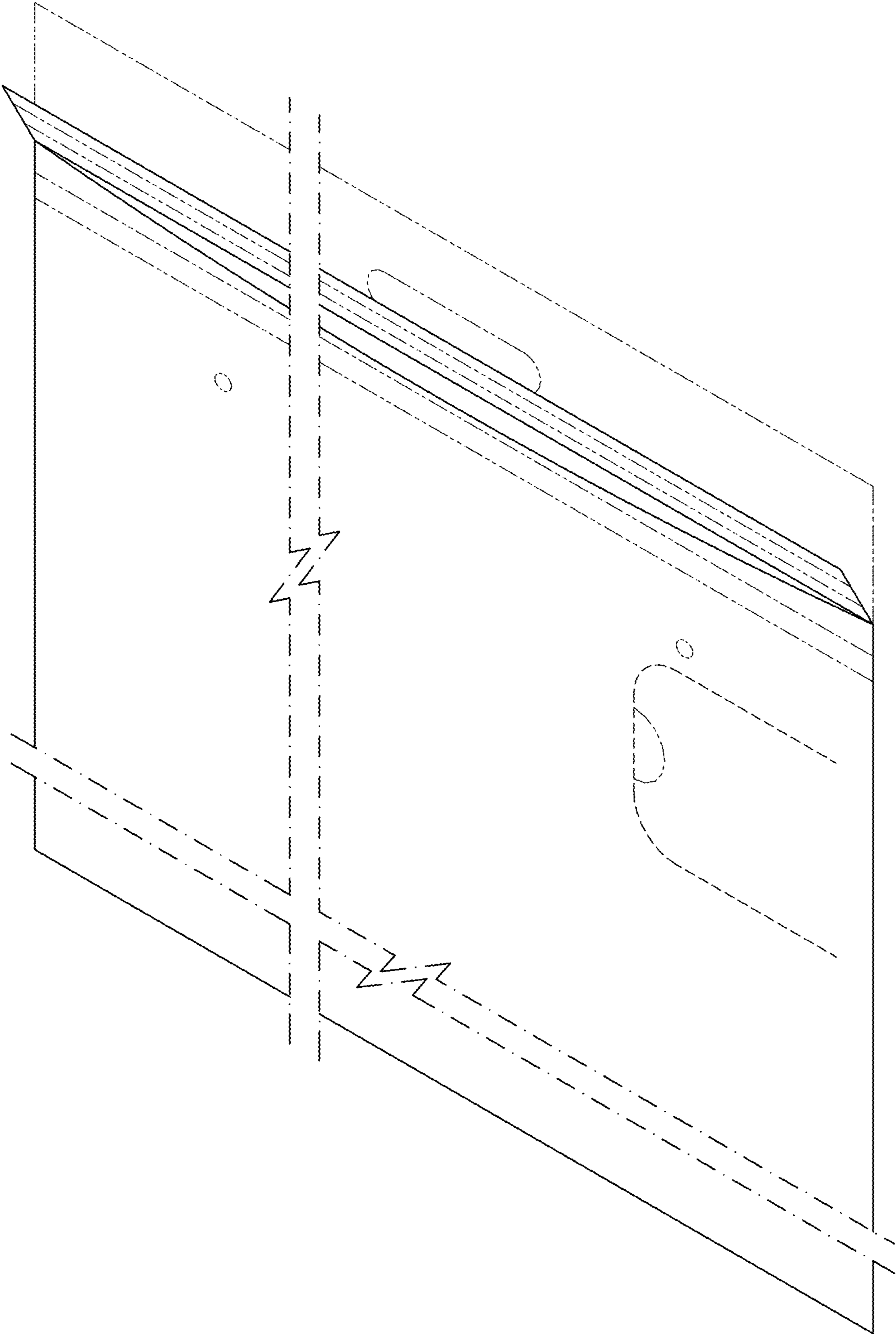


FIG. 3

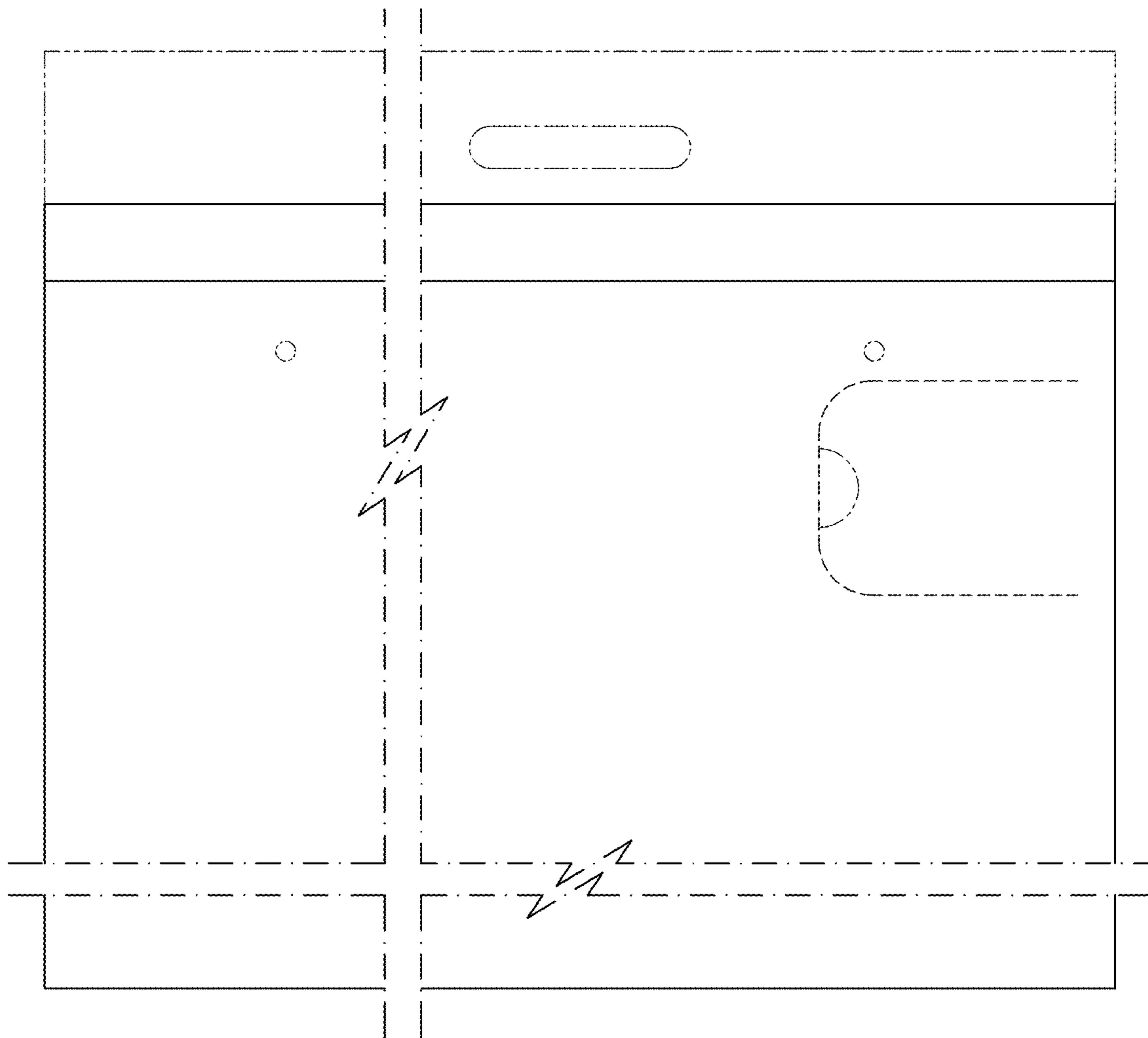


FIG. 4

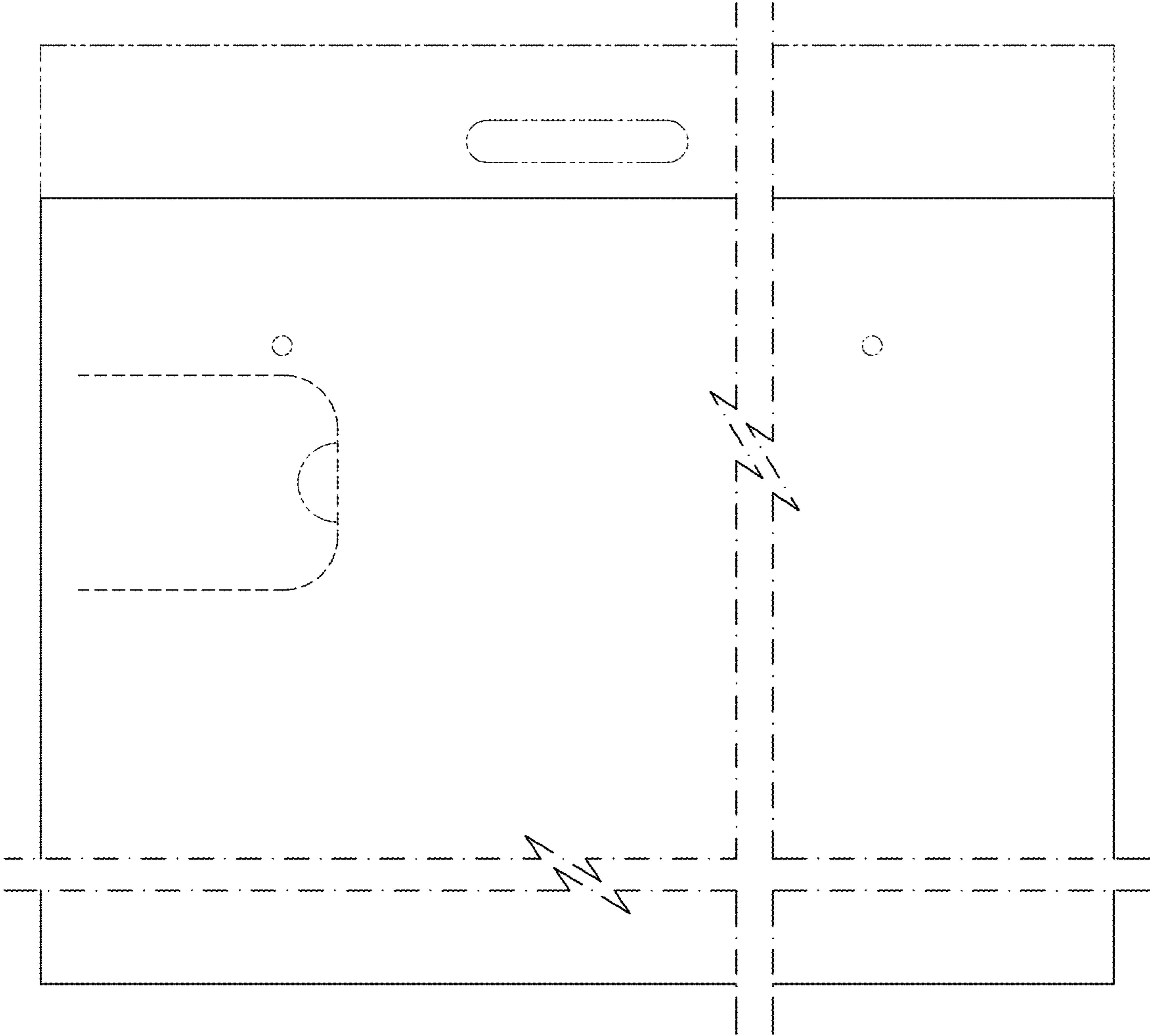


FIG. 5

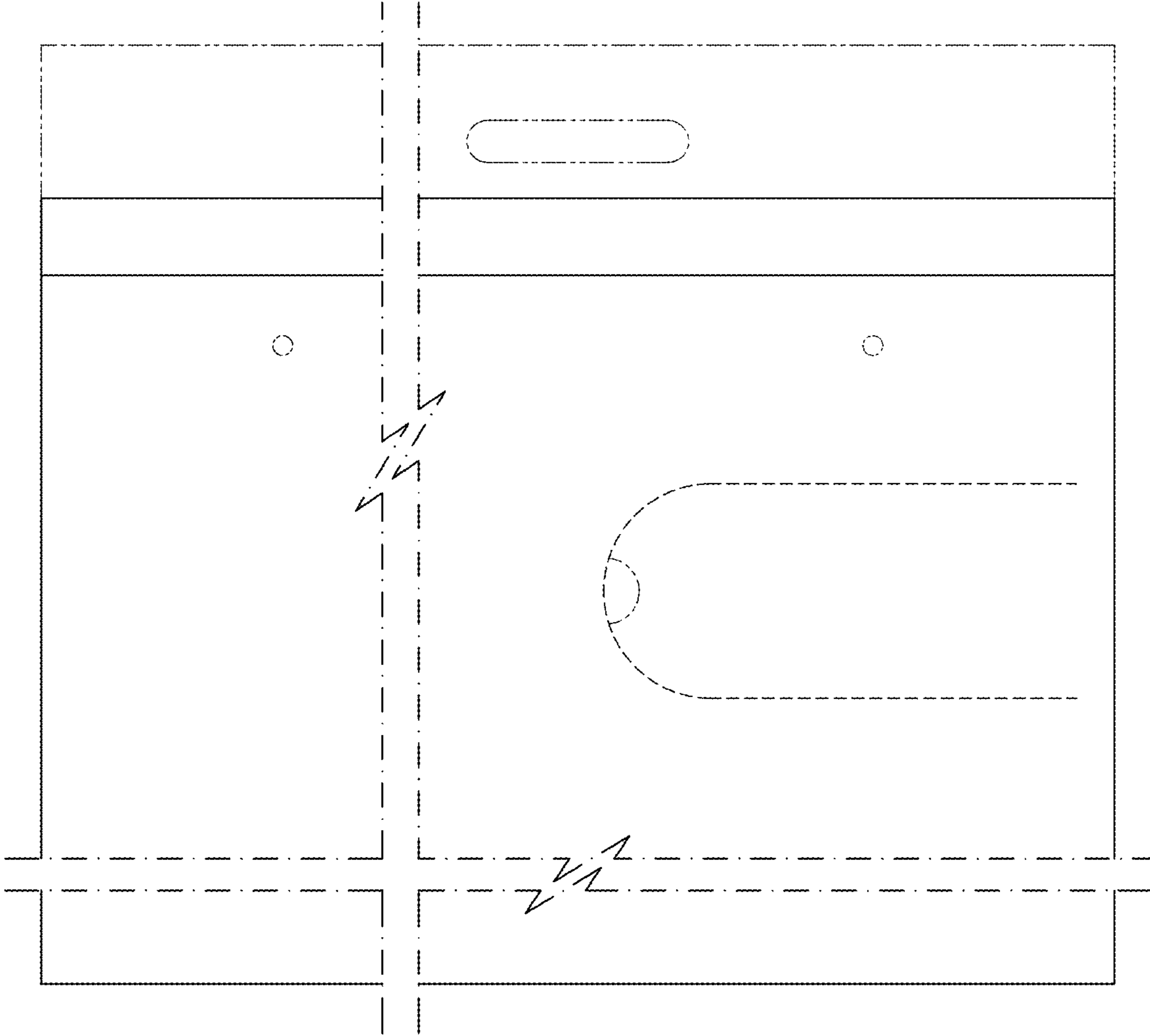


FIG. 6

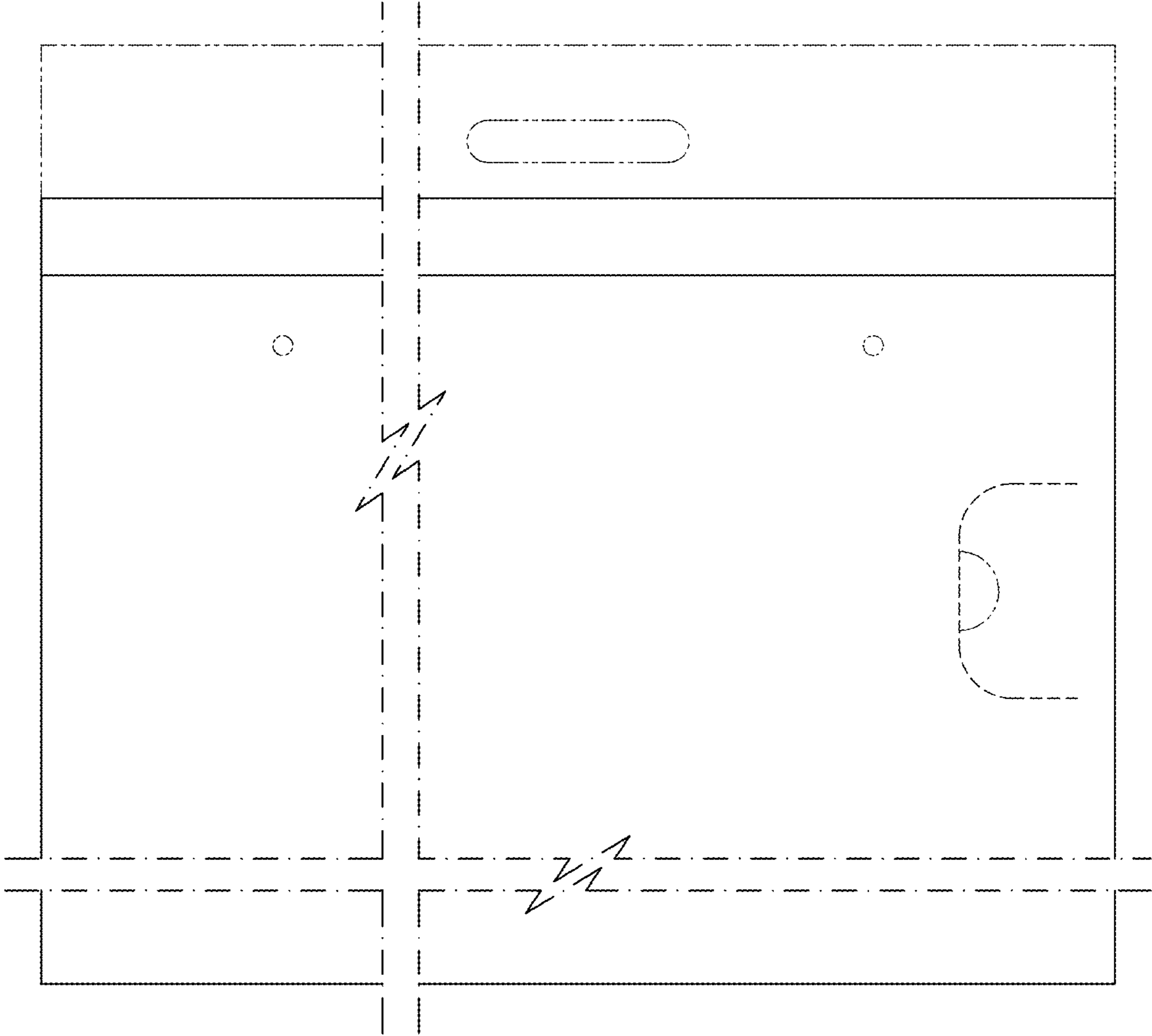


FIG. 7

