



US00D891263S

(12) **United States Design Patent**
Castañeda-Alcántara et al.

(10) **Patent No.:** **US D891,263 S**

(45) **Date of Patent:** **** Jul. 28, 2020**

- (54) **JAR**
- (71) Applicant: **Vitro, S.A.B. de C.V.**, Monterrey (MX)
- (72) Inventors: **Emanuelle Castañeda-Alcántara**, San Mateo Atenco (MX); **Miguel Angel Gutierrez-Trejo**, Huixquilcan (MX); **Fernando Antonio López-López**, Toluca (MX); **Israel Agustín Chavez-Diaz**, Cd. De Mexico (MX); **Cesar Guadalupe Martinez-Alva**, Lerma (MX)
- (73) Assignee: **Vitro, S.A.B. de C.V.**, Monterrey, Nuevo León (MX)
- (**) Term: **15 Years**
- (21) Appl. No.: **29/602,641**
- (22) Filed: **May 2, 2017**
- (30) **Foreign Application Priority Data**

Nov. 3, 2016 (MX) MX/f/2016/003393

(51) **LOC (12) Cl.** **09-01**

(52) **U.S. Cl.**
USPC **D9/560; D9/574**

(58) **Field of Classification Search**
USPC D9/434, 435, 436, 449, 454, 500–505, D9/516, 529, 559, 560, 570–574, 682, D9/686, 688, 690, 715; D28/76, 78, 83
CPC B65D 83/205; B65D 83/384; B65D 83/75; B65D 2543/00092
See application file for complete search history.

(56) **References Cited**

U.S. PATENT DOCUMENTS

- D443,080 S * 5/2001 Klett D26/7
- D505,625 S * 5/2005 Servaux D9/560

- D540,688 S * 4/2007 Lascaux D9/560
- D540,689 S * 4/2007 Dorfmueller D9/560
- D543,453 S * 5/2007 Fu D21/392
- D573,887 S * 7/2008 Bouroullec D9/529
- D577,292 S * 9/2008 Moretti D9/560
- D579,784 S * 11/2008 Varlet D9/544
- D582,291 S * 12/2008 de Baschmakoff D9/560
- D587,589 S * 3/2009 Varlet D9/558
- D598,297 S * 8/2009 Rica D9/560
- D604,630 S * 11/2009 Canamasas Puigbo D9/560
- D610,343 S * 2/2010 Mayer D3/201
- D610,344 S * 2/2010 Mayer D3/201
- D654,799 S * 2/2012 Liu D9/560
- D672,554 S * 12/2012 Penttinen D3/273
- D734,550 S * 7/2015 Schlatter D28/83
- D764,799 S * 8/2016 Ball D3/302
- D786,078 S * 5/2017 Futagami D28/8
- D787,895 S * 5/2017 Kilduff D7/629
- D799,328 S * 10/2017 Canamasas Puigbo D9/529
- D808,080 S * 1/2018 Corey D28/85

(Continued)

Primary Examiner — Shannon W Morgan

Assistant Examiner — Keith Frank

(74) *Attorney, Agent, or Firm* — The Webb Law Firm

(57) **CLAIM**

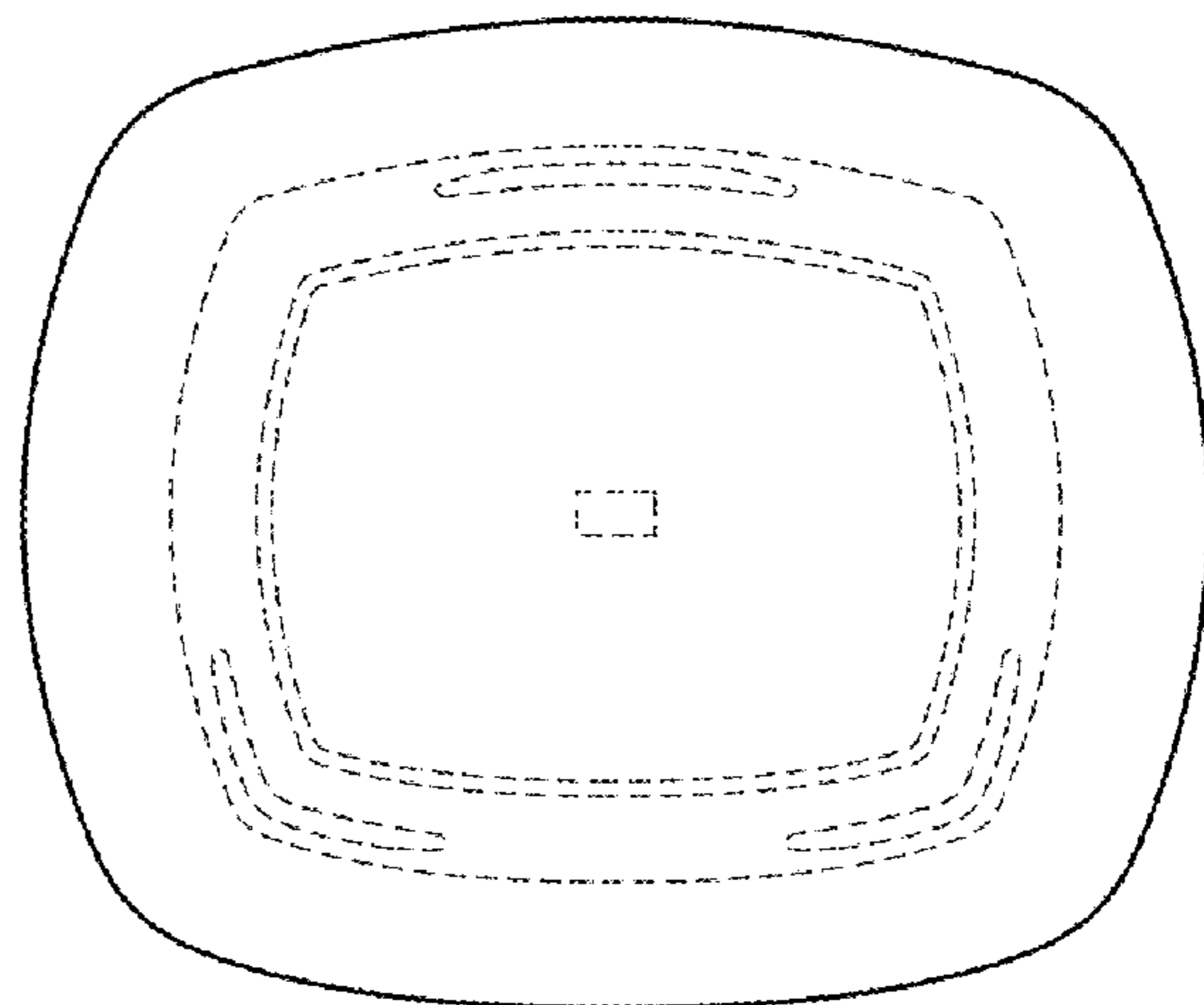
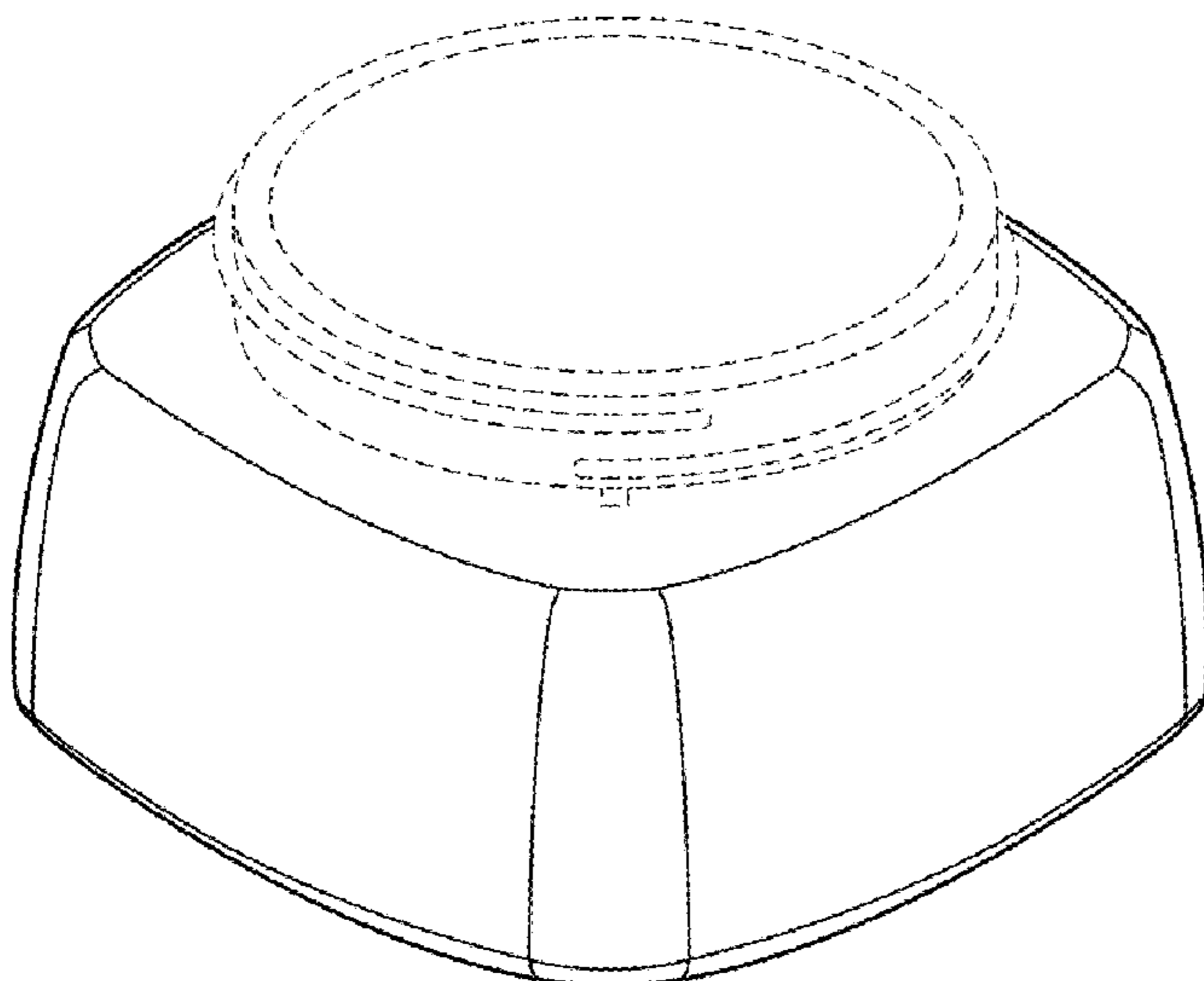
The ornamental design for a jar, as shown and described.

DESCRIPTION

FIG. 1 is a perspective view of a jar embodying our new design;
 FIG. 2 is a front elevational view thereof;
 FIG. 3 is a rear elevational view thereof;
 FIG. 4 is a right side elevational view thereof;
 FIG. 5 is a left side elevational view thereof;
 FIG. 6 is a top plan view thereof; and,
 FIG. 7 is a bottom plan view thereof.

The broken lines in the drawings illustrate portions of the jar that form no part of the claimed design.

1 Claim, 6 Drawing Sheets



(56)

References Cited

U.S. PATENT DOCUMENTS

D821,087 S * 6/2018 Lihotzky D3/203.1
D821,216 S * 6/2018 Weinrich D9/560

* cited by examiner

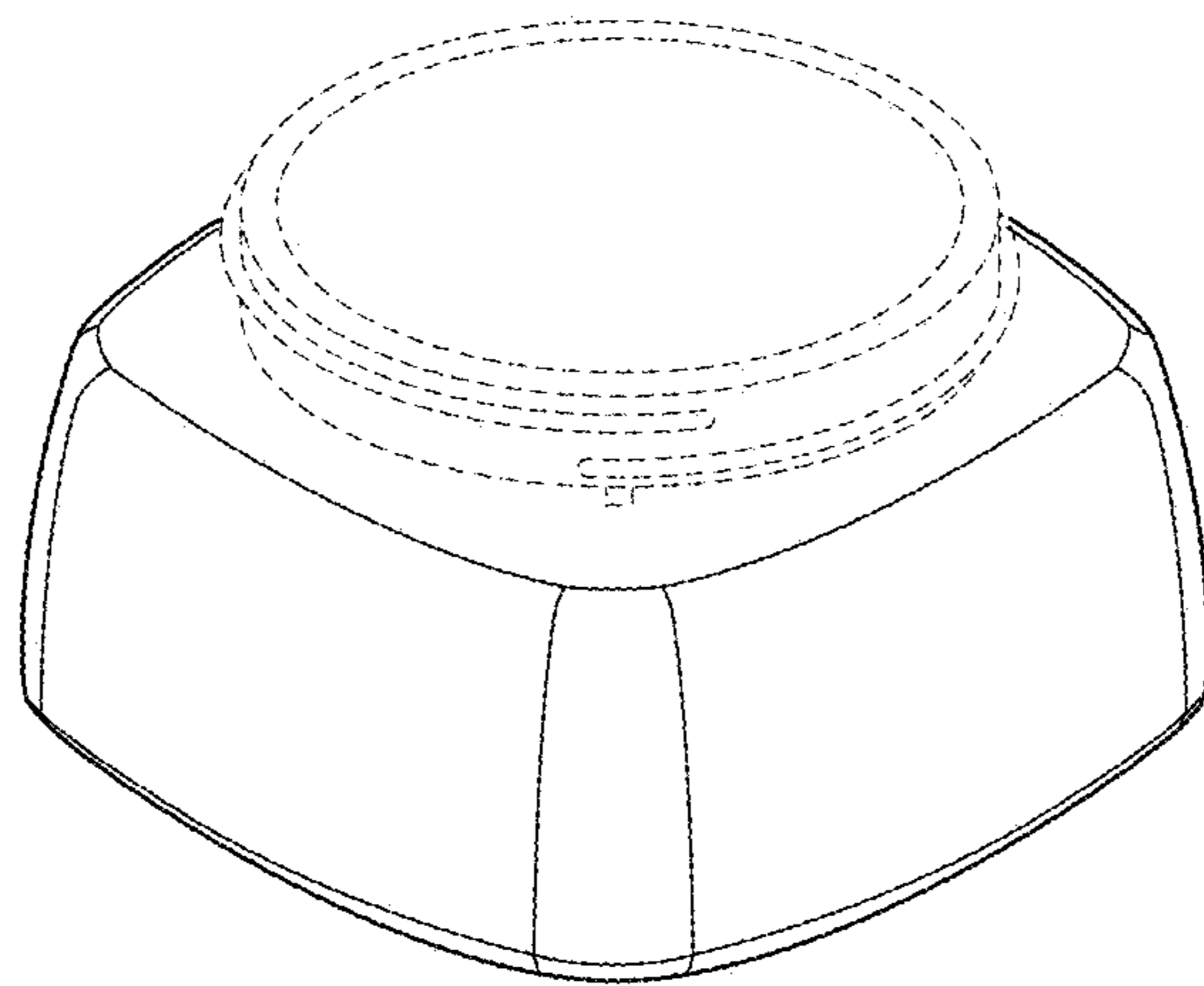


FIG. 1

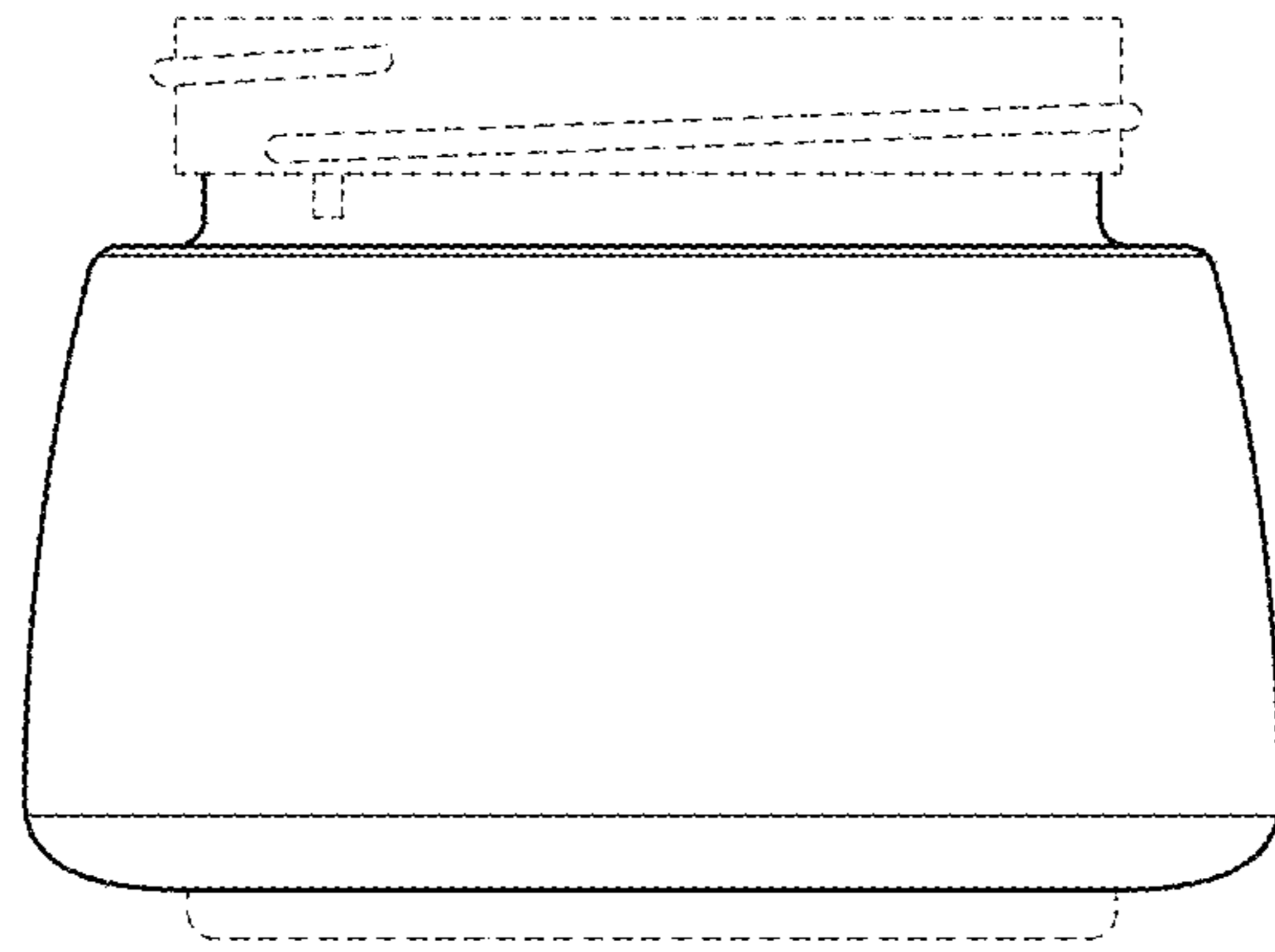


FIG. 2

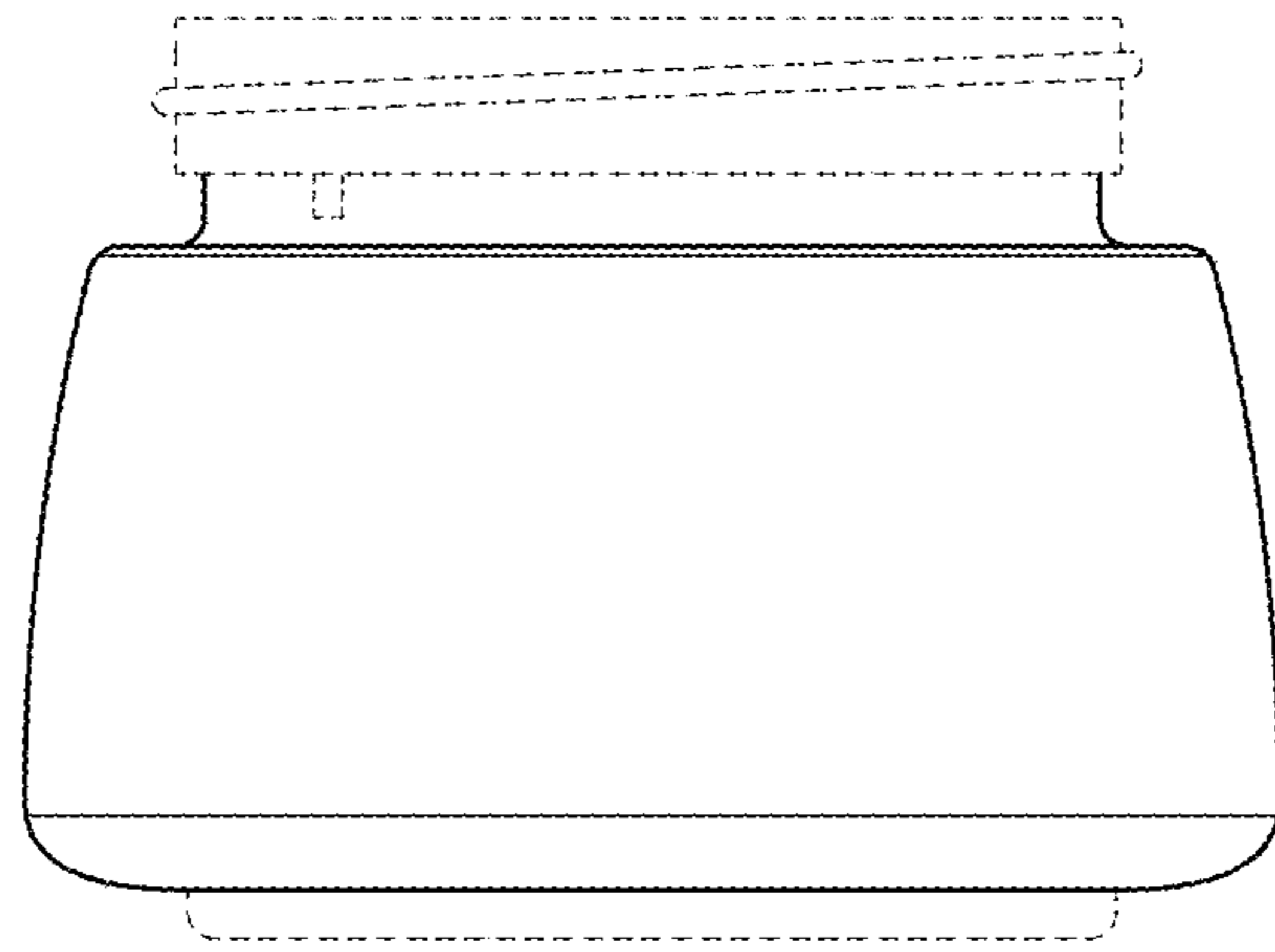


FIG. 3

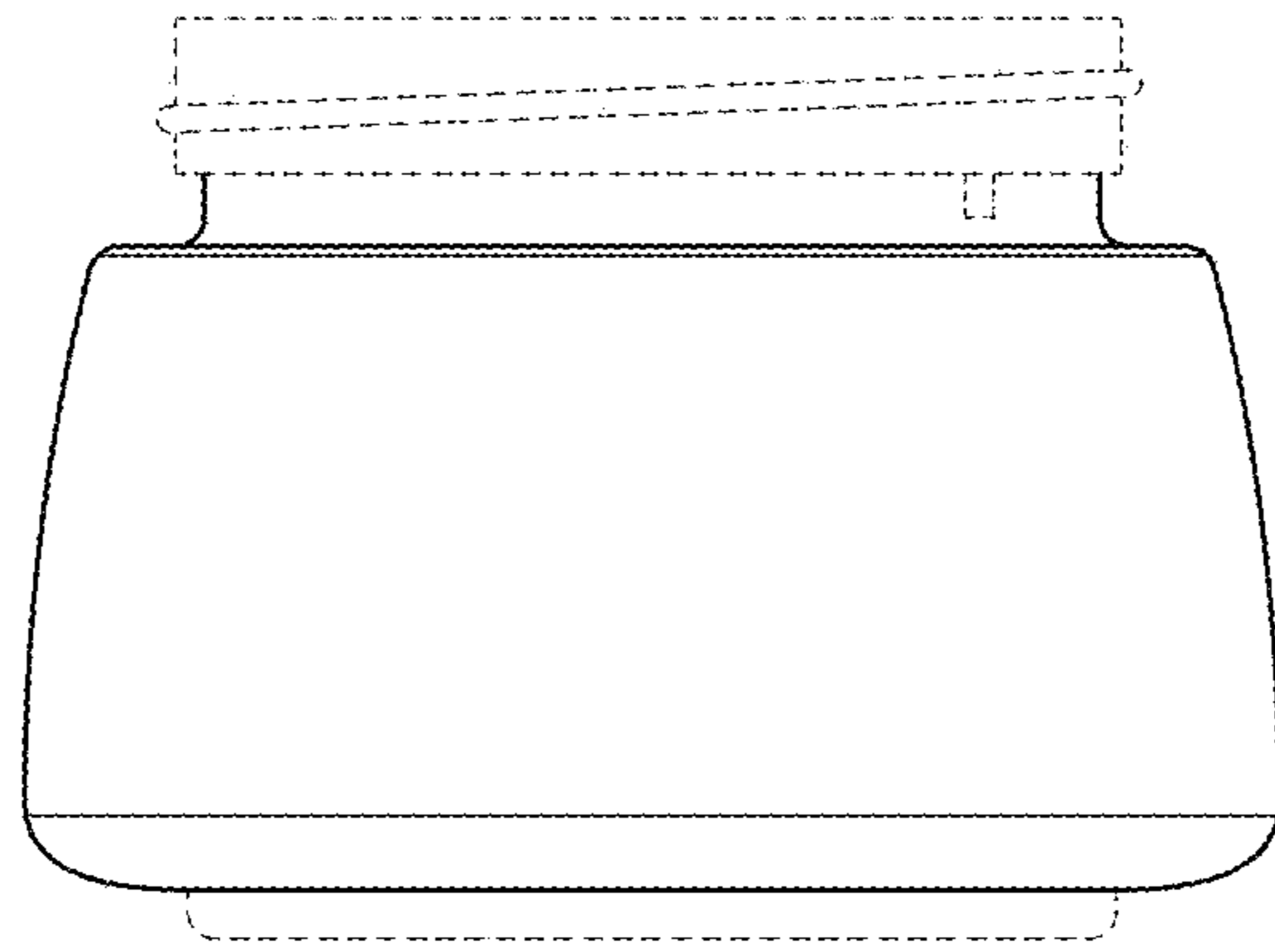


FIG. 4

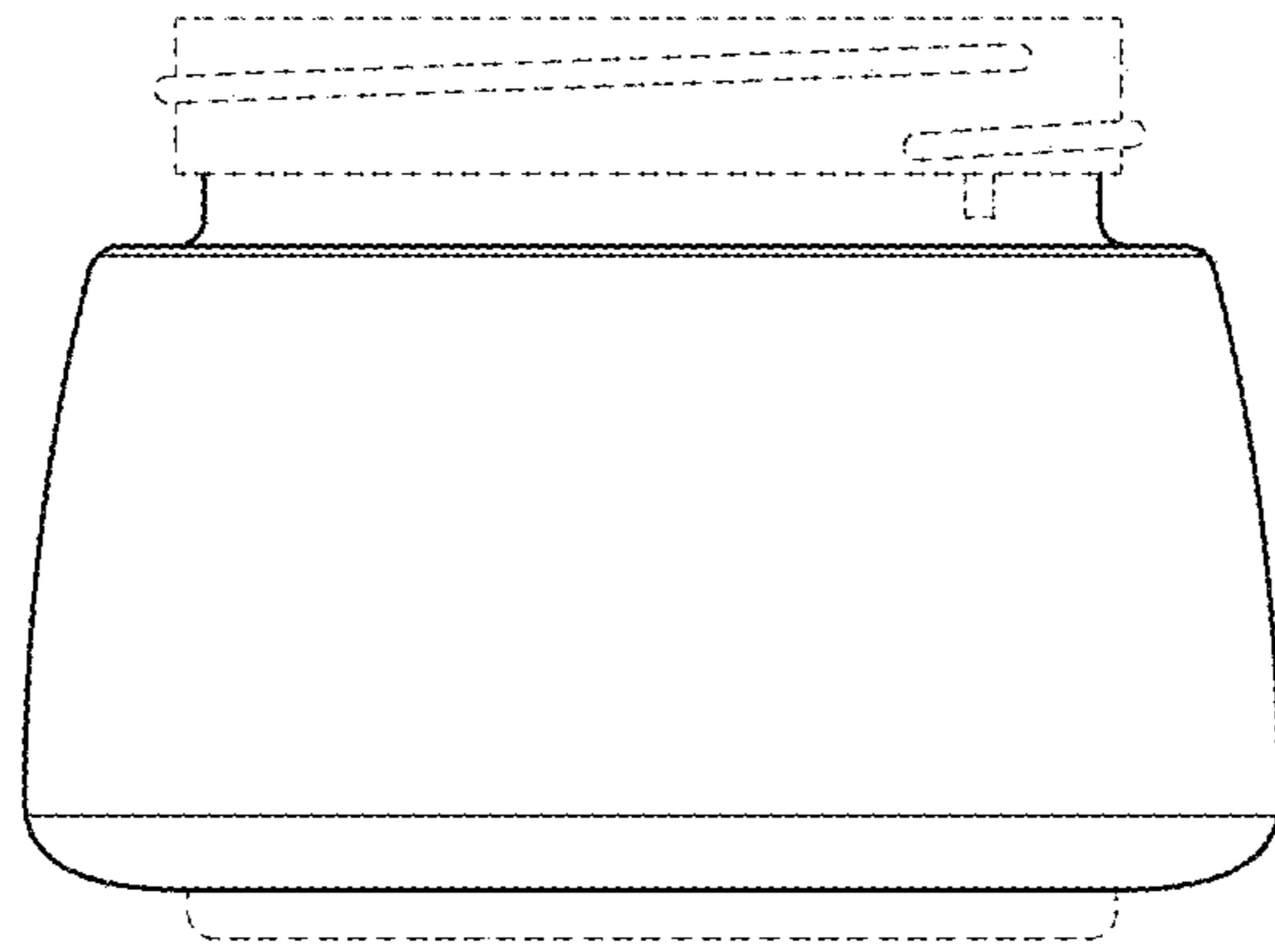


FIG. 5

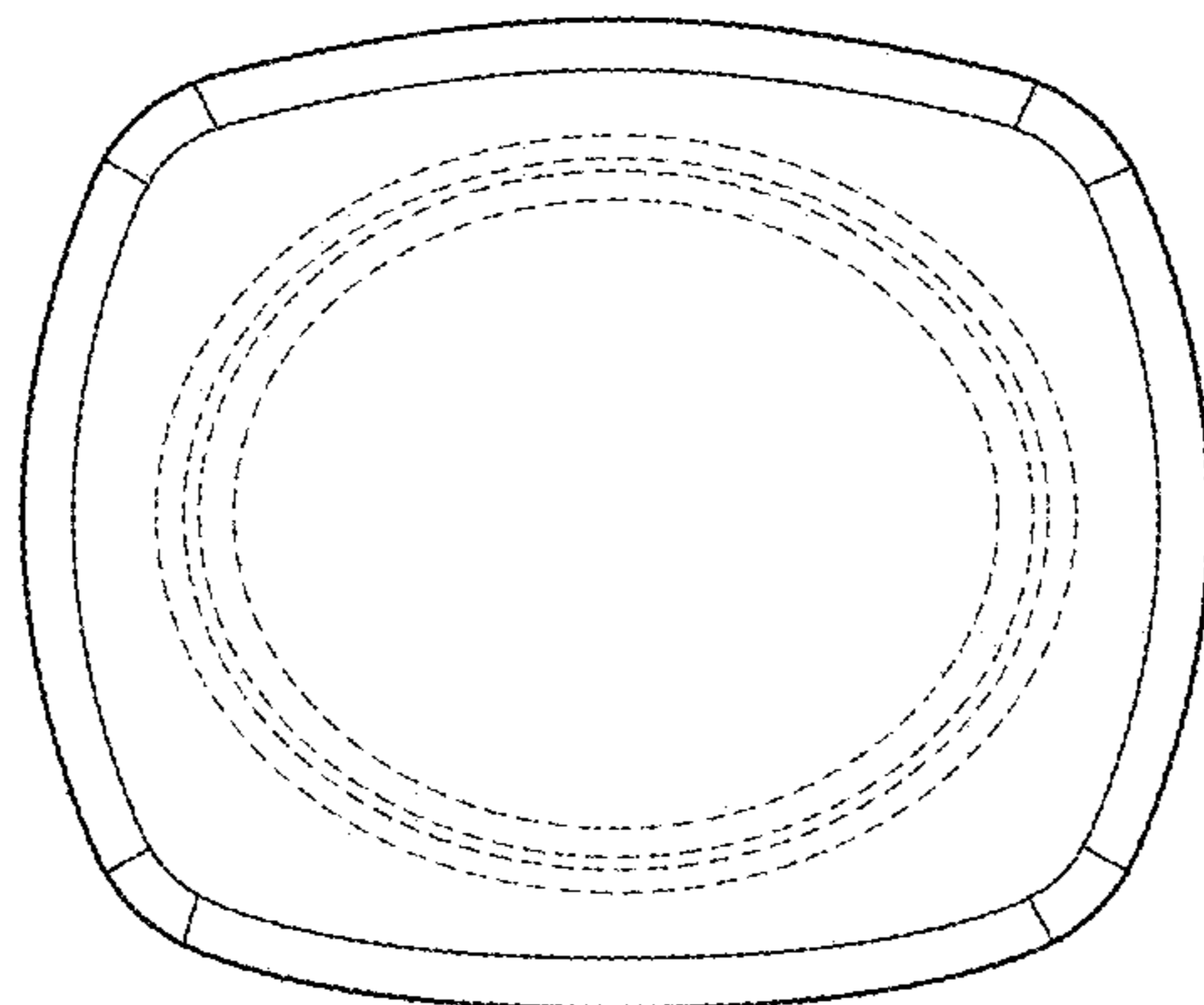


FIG. 6

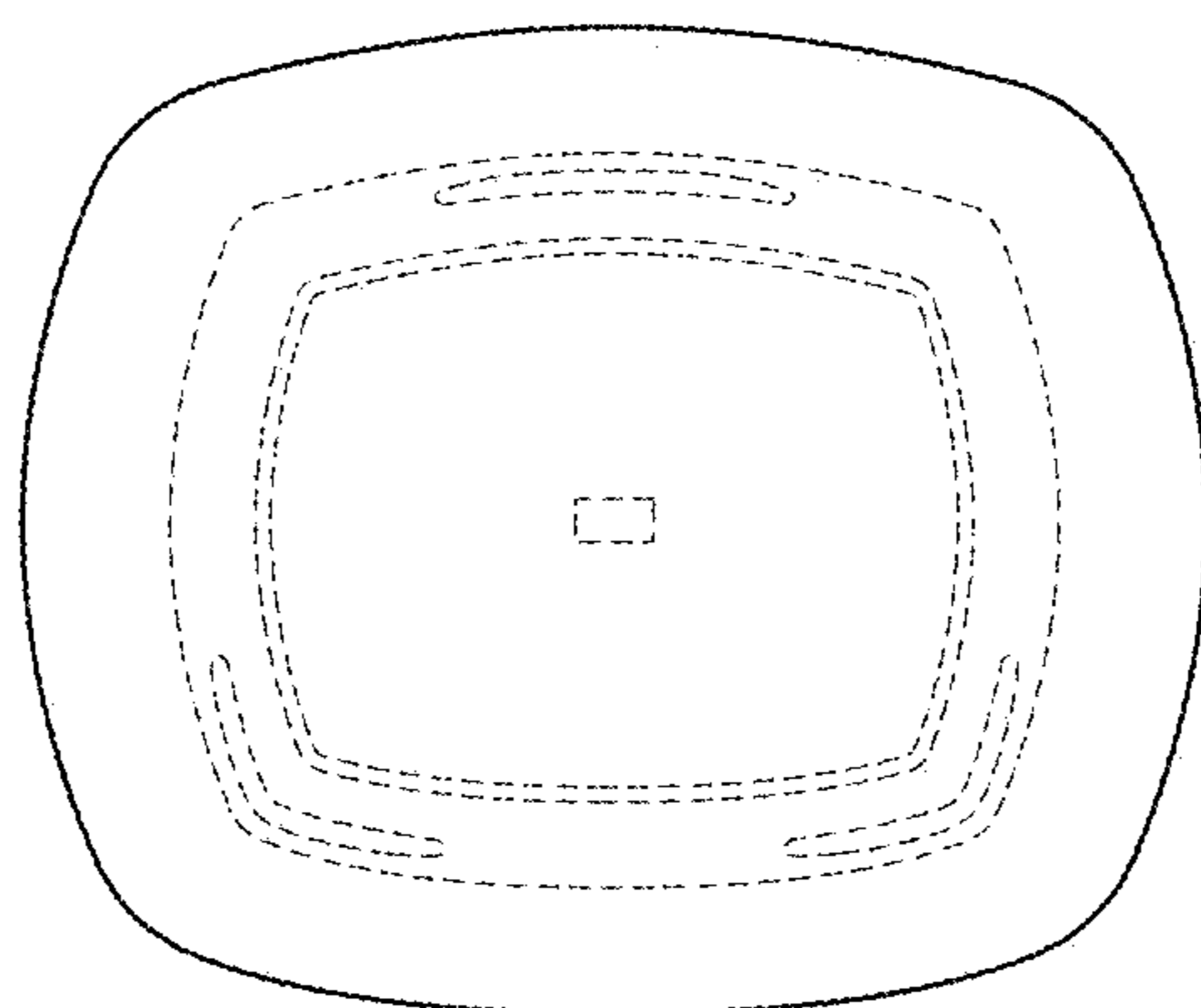


FIG. 7