



US00D891261S

(12) **United States Design Patent**  
**Reed et al.**

(10) **Patent No.:** **US D891,261 S**  
(45) **Date of Patent:** **\*\* Jul. 28, 2020**

(54) **BOTTLE DESIGN**

(71) Applicant: **Truman's Cleaning, LLC**, Toledo, OH (US)

(72) Inventors: **Alex Reed**, Toledo, OH (US);  
**Jonathan Bostock**, Toledo, OH (US)

(73) Assignee: **Truman's Inc.**, Louisville, KY (US)

(\*\*) Term: **15 Years**

(21) Appl. No.: **29/682,277**

(22) Filed: **Mar. 4, 2019**

(51) **LOC (12) Cl.** ..... **09-01**

(52) **U.S. Cl.**  
USPC ..... **D9/539**; D9/540; D9/558

(58) **Field of Classification Search**  
USPC ..... D9/500, 503-505, 516, 530, 537-540,  
D9/544-545, 549, 558, 575; D24/224  
CPC ..... B65D 1/00; B65D 1/02; B65D 1/0223;  
B65D 1/023; B65D 2501/00; B65D  
2501/0009  
See application file for complete search history.

(56) **References Cited**

**U.S. PATENT DOCUMENTS**

D117,266 S \* 10/1939 Gerhart ..... D9/500  
D184,391 S \* 2/1959 Du Pree ..... D9/632

D211,563 S \* 7/1968 Cherry ..... D9/500  
D213,690 S \* 4/1969 Eckstrom ..... D23/207  
D231,685 S \* 5/1974 Beckman ..... D7/317  
D248,835 S \* 8/1978 Korsmeyer ..... D9/500  
D264,937 S \* 6/1982 Groark ..... D9/500  
D292,378 S \* 10/1987 Brandt ..... D9/557  
D358,985 S \* 6/1995 Rubin ..... D7/596  
D359,688 S \* 6/1995 Rosen ..... D9/452  
D385,496 S \* 10/1997 Balz ..... D9/538  
D485,885 S \* 1/2004 Bonelli ..... D23/207  
D543,459 S \* 5/2007 Konieczny ..... D9/439  
D818,364 S \* 5/2018 Rashid ..... D9/500  
D845,770 S \* 4/2019 Berthe ..... D9/500

\* cited by examiner

*Primary Examiner* — Dana Meyrow

(74) *Attorney, Agent, or Firm* — K&L Gates LLP

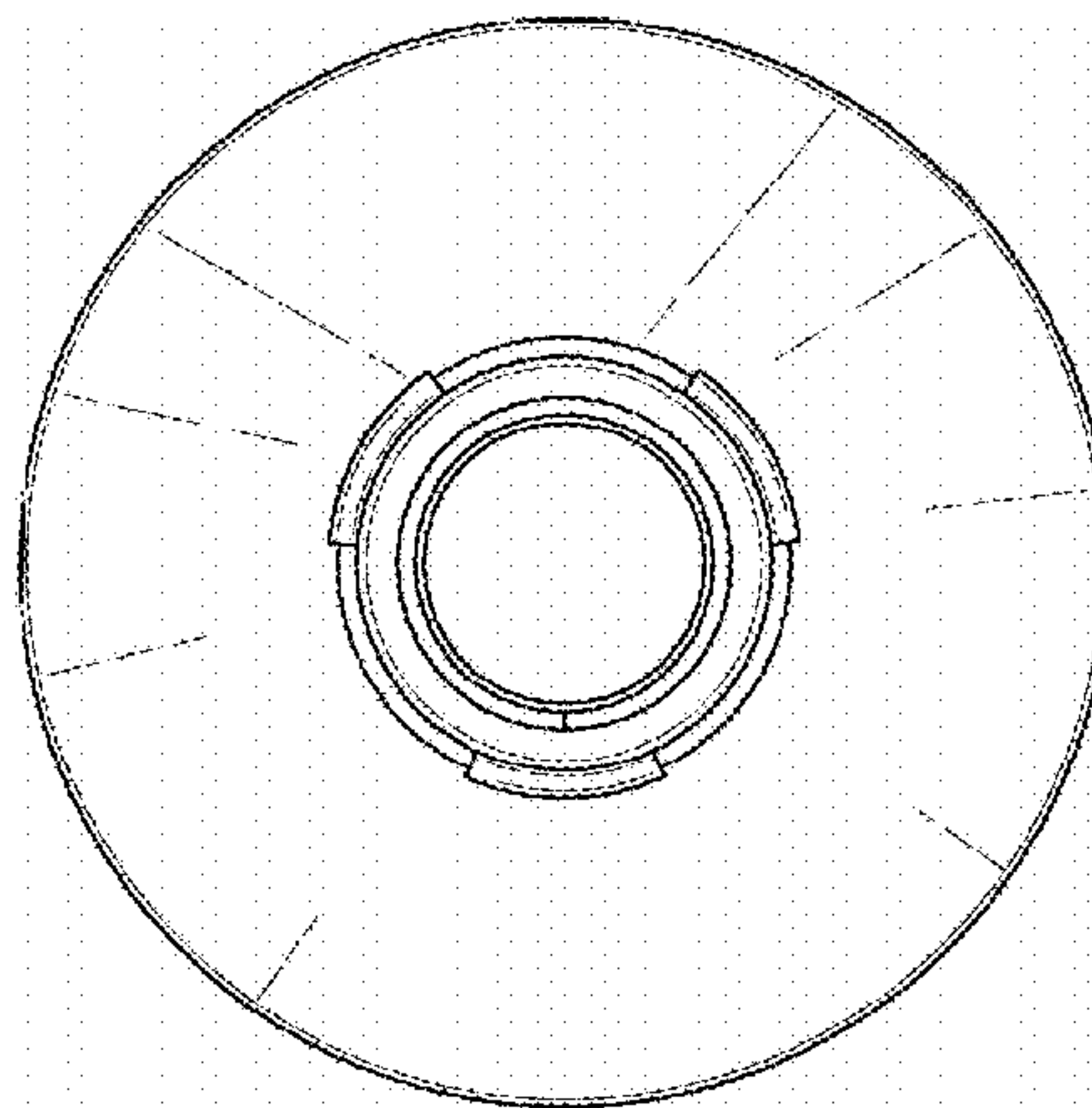
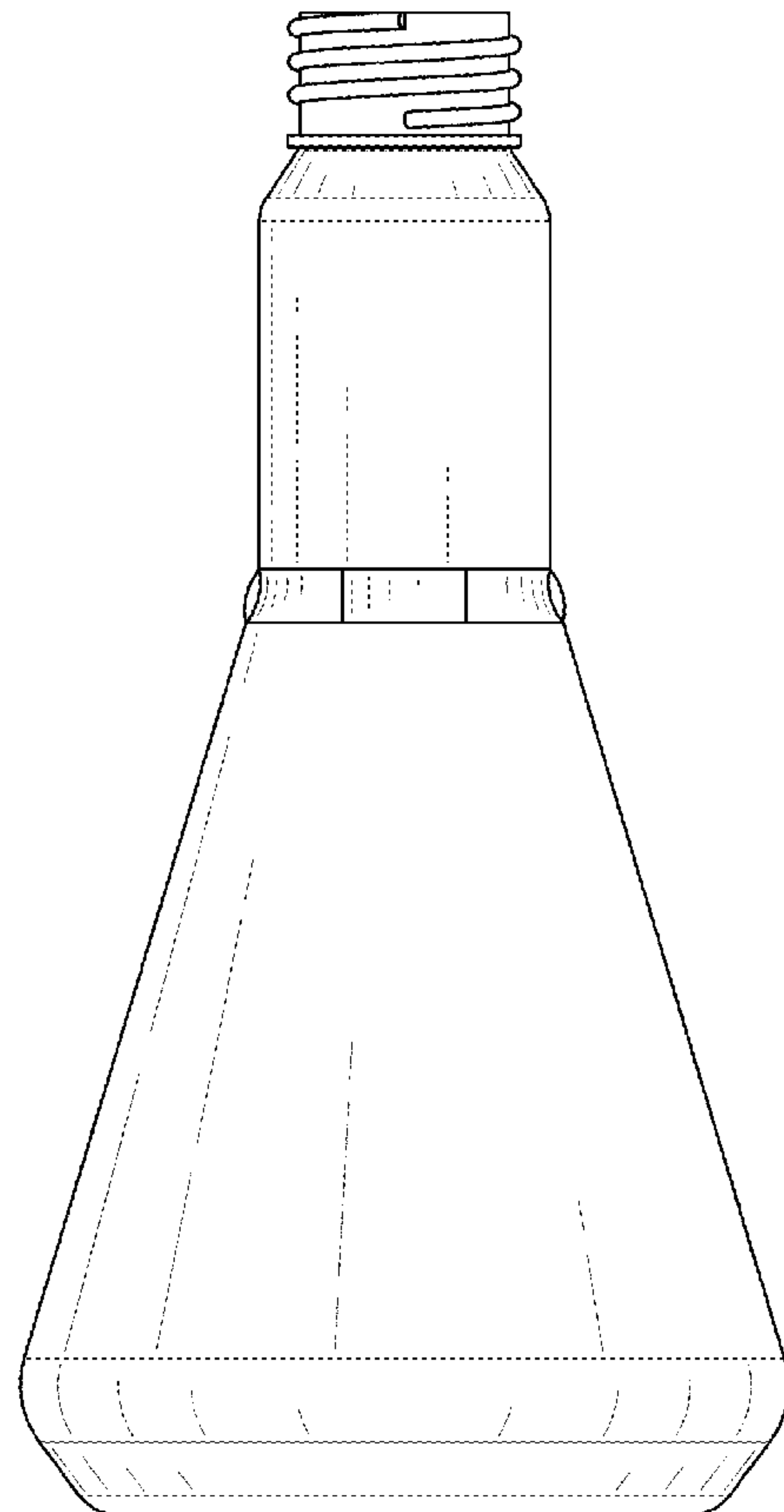
(57) **CLAIM**

The ornamental design for a bottle, as shown and described.

**DESCRIPTION**

FIG. 1 is a perspective view of a bottle;  
FIG. 2 is a front view of the bottle design;  
FIG. 3 is a rear view of the bottle design;  
FIG. 4 is a right side view of the bottle design;  
FIG. 5 is a left side view of the bottle design; and,  
FIG. 6 is a top view of the bottle design.  
The shade lines represent the three-dimensional contour of the design and are not intended to represent or indicate surface decoration.

**1 Claim, 6 Drawing Sheets**



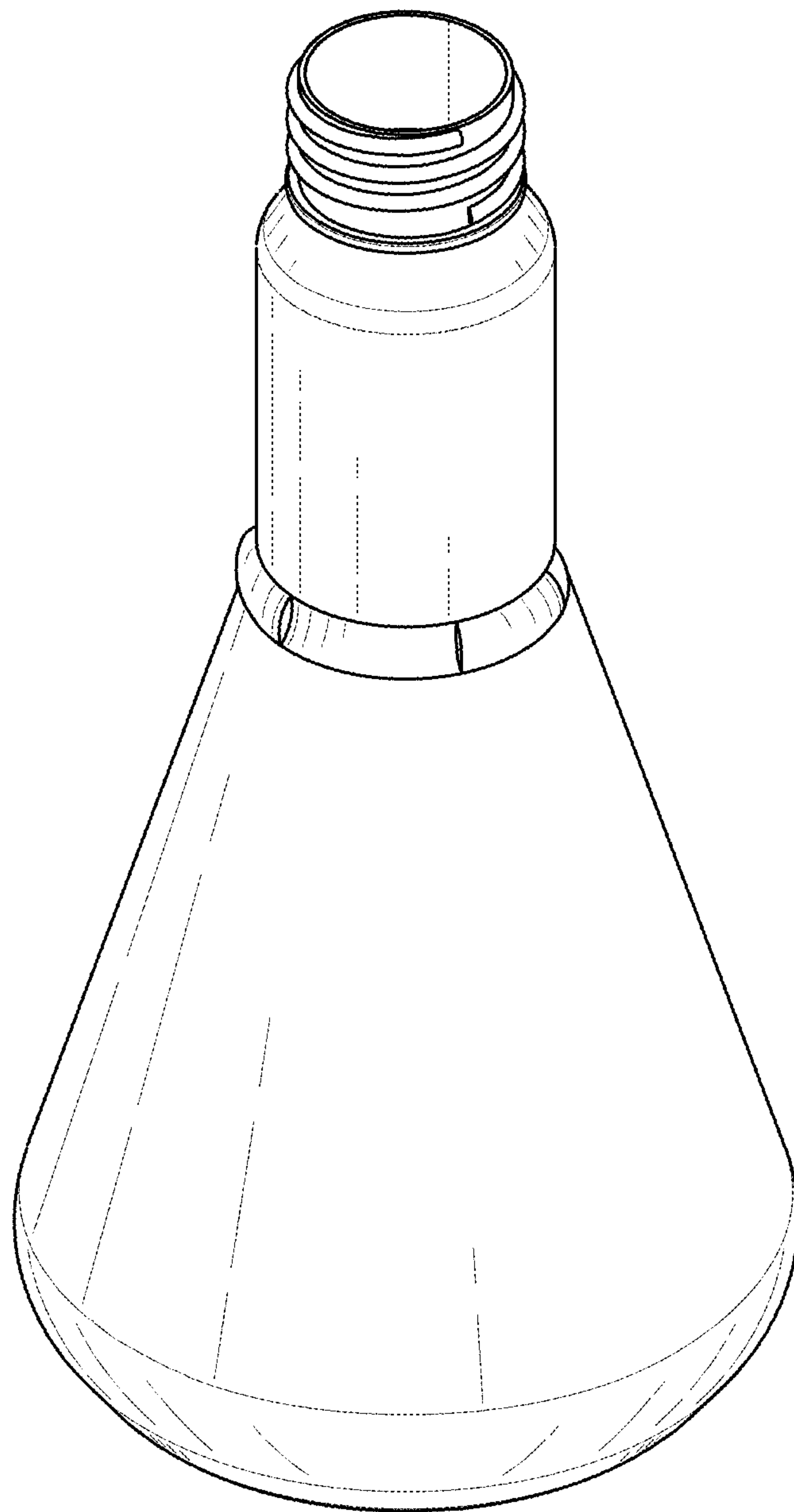


FIG. 1

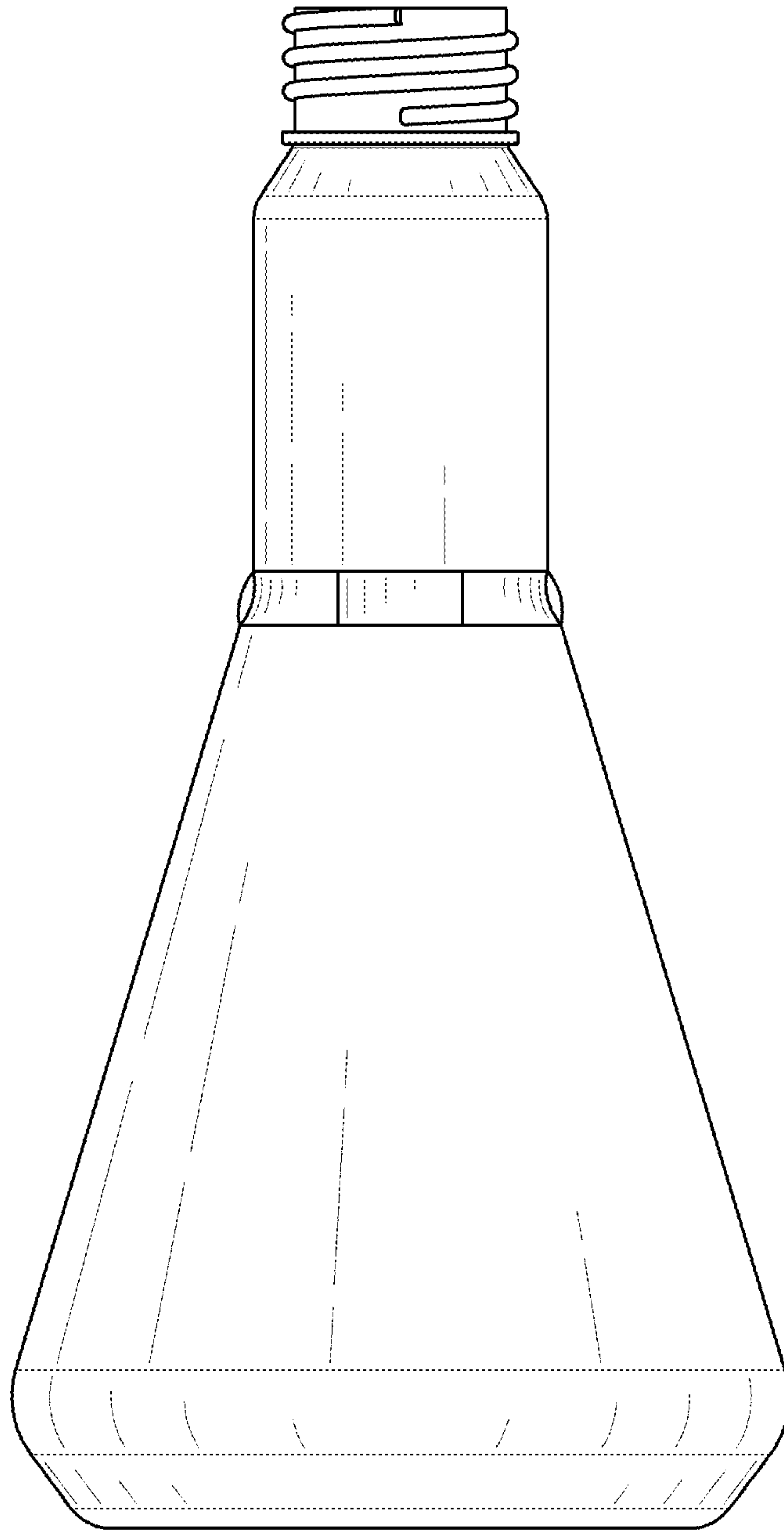


FIG. 2

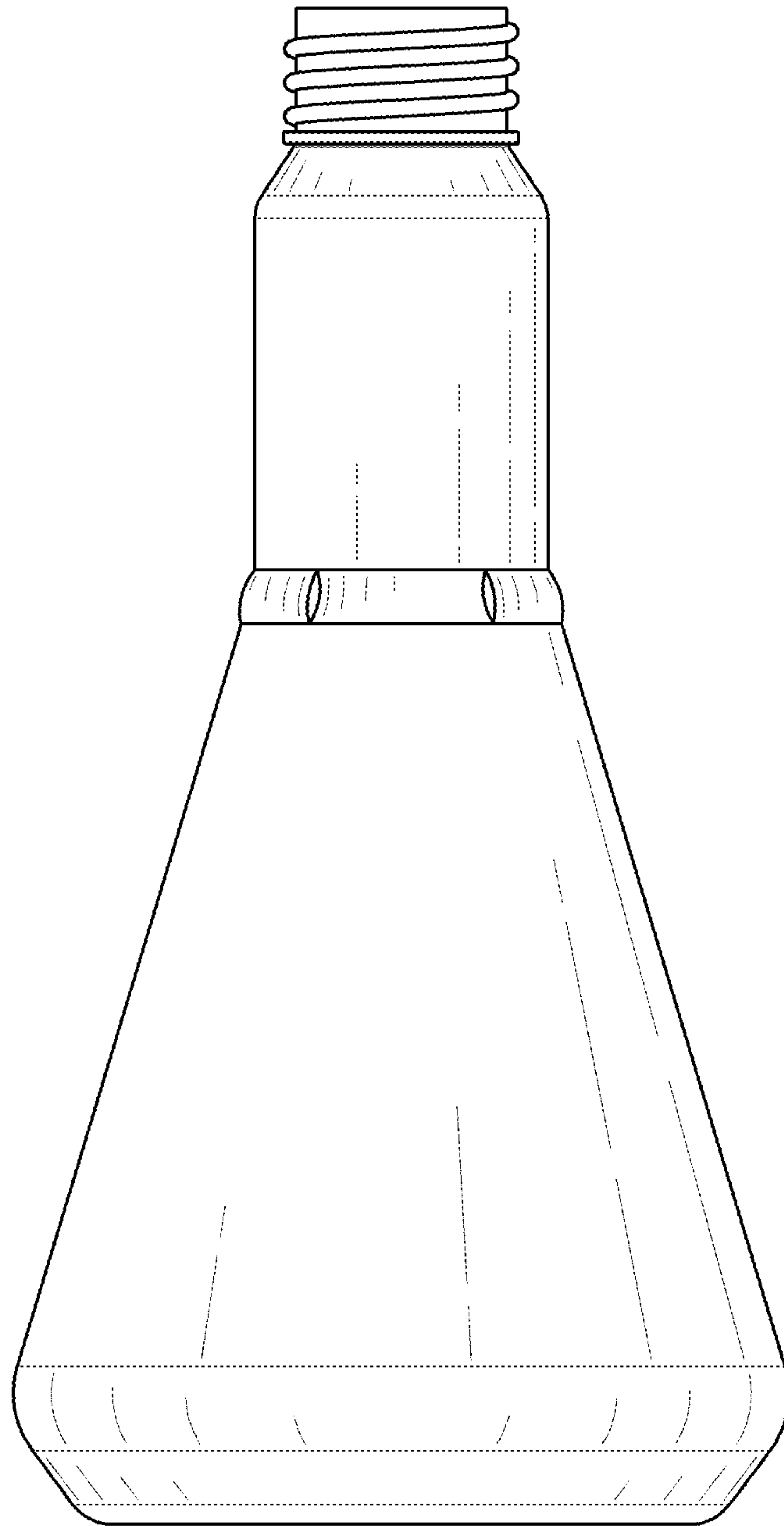


FIG. 3

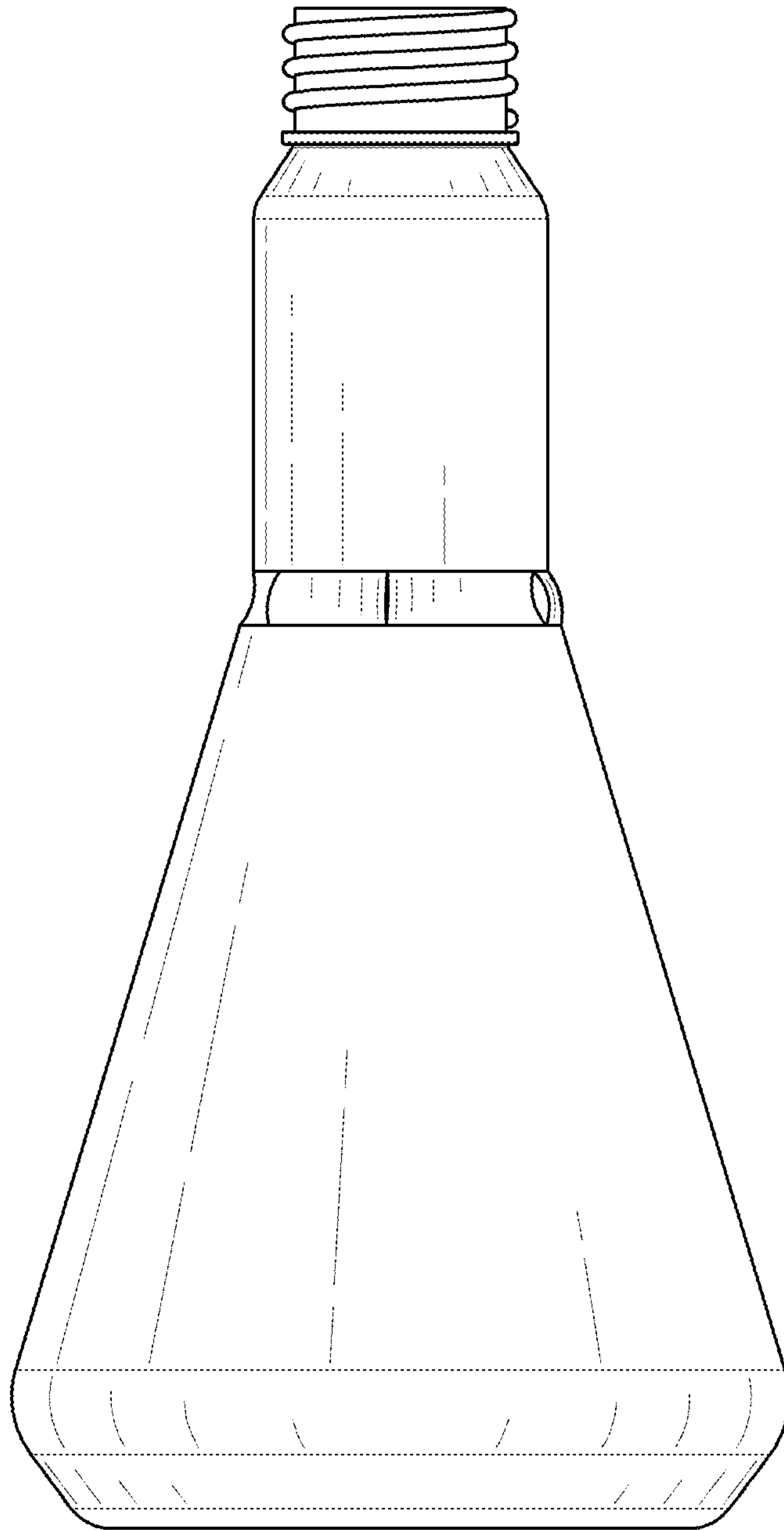


FIG. 4

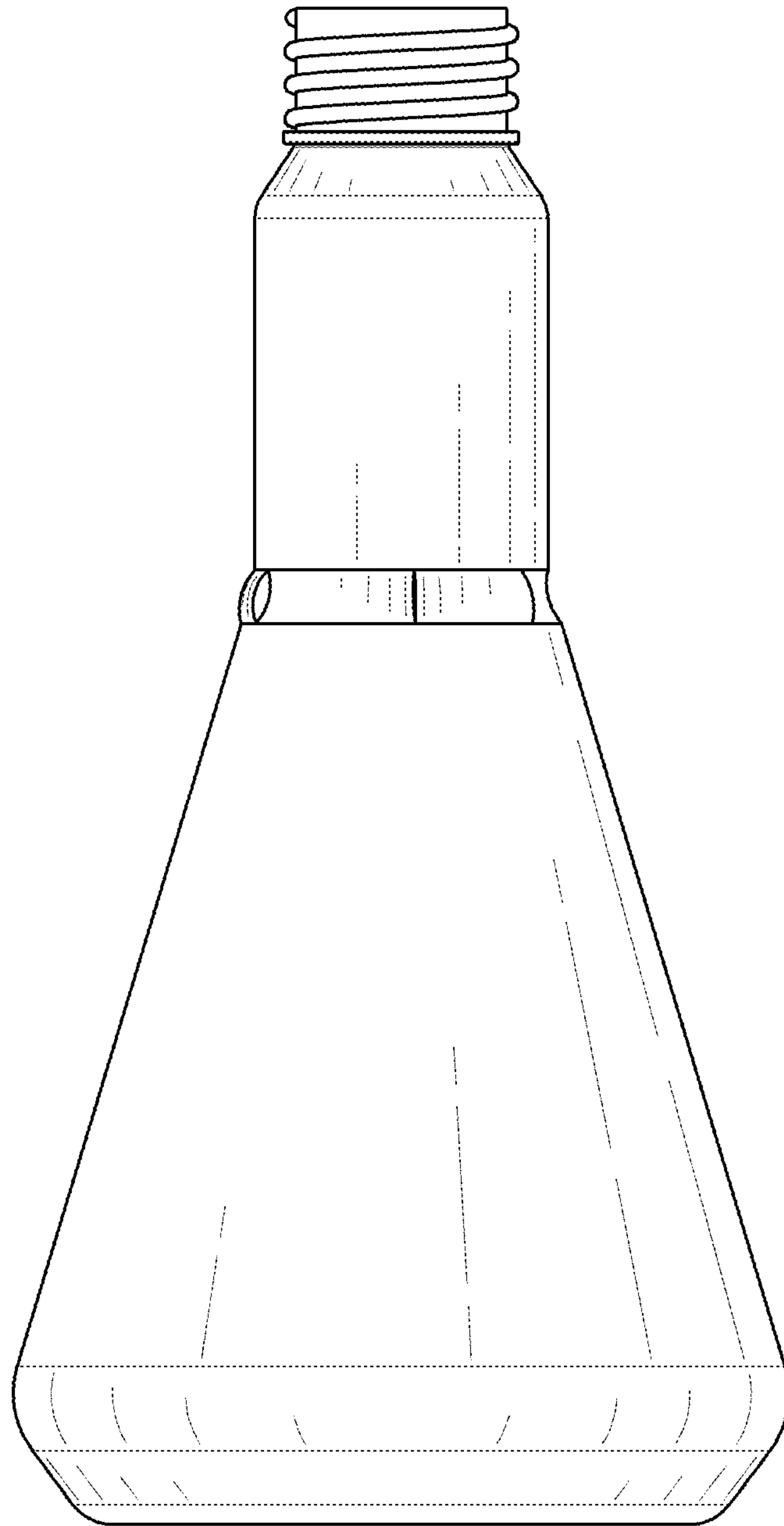


FIG. 5

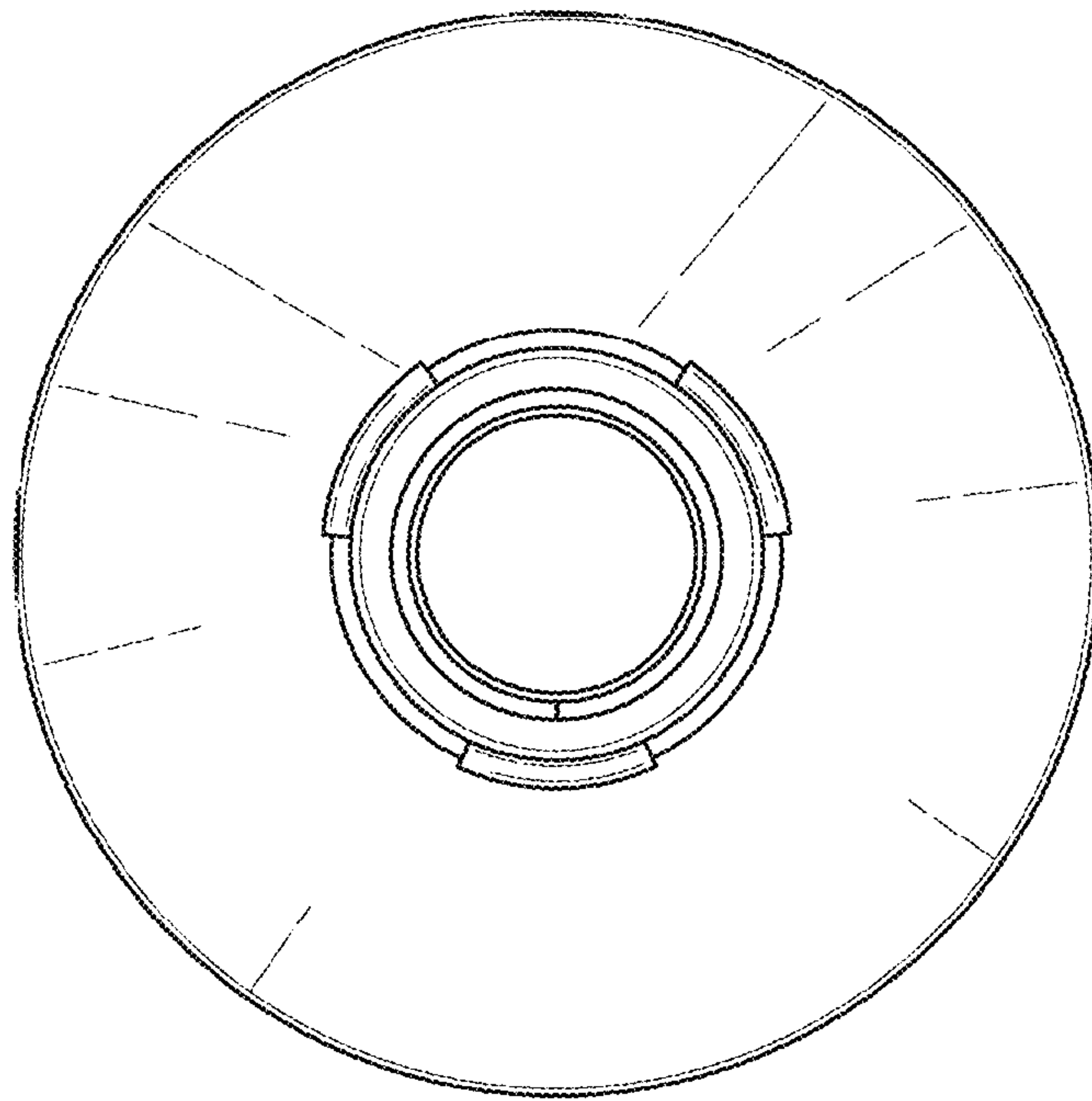


FIG. 6