

US00D891254S

(12) **United States Design Patent**  
**Cornehl et al.**

(10) **Patent No.:** **US D891,254 S**  
(45) **Date of Patent:** **\*\* Jul. 28, 2020**

- (54) **BOTTLE**
- (71) Applicant: **By Quest LLC**, Millburn, NJ (US)
- (72) Inventors: **Ingrid Cornehl**, Morristown, NJ (US);  
**Sallie Reynolds Allen**, Charleston, SC (US)
- (73) Assignee: **By Quest LLC**, Millburn, NJ (US)
- (\*\*) Term: **15 Years**
- (21) Appl. No.: **29/716,759**
- (22) Filed: **Dec. 11, 2019**
- (51) **LOC (12) Cl.** ..... **09-01**
- (52) **U.S. Cl.**  
USPC ..... **D9/516; D9/544**
- (58) **Field of Classification Search**  
USPC ..... D9/434, 516, 530, 542, 544, 549, 558,  
D9/563, 571, 573-574, 715, 719  
CPC ..... B65D 1/00; B65D 1/02; B65D 1/0223;  
B65D 23/00; B65D 51/32; B65D  
2501/00; B65D 2501/0009; B65D  
2501/0081  
See application file for complete search history.

D514,448 S *	2/2006	Kuzma	.....	D9/563
D526,569 S *	8/2006	Wurster	.....	D9/563
D584,634 S *	1/2009	Perez	.....	D9/542
D585,755 S *	2/2009	Dodge	.....	D9/563
D590,721 S *	4/2009	Martinez De San Vicente	.....	D9/520
D591,159 S *	4/2009	Pagliari	.....	D9/529
D697,417 S *	1/2014	Maczassek	.....	D9/544
D719,030 S *	12/2014	Perez-Cabrera	.....	D9/560
D731,318 S *	6/2015	Monaghan	.....	D9/563
D792,231 S *	7/2017	Thompson	.....	D9/544
D815,541 S *	4/2018	Harris	.....	D9/574
D845,138 S *	4/2019	Atkins	.....	D9/549
D878,572 S *	3/2020	Davis	.....	D24/121

\* cited by examiner

*Primary Examiner* — Dana Meyrow

(74) *Attorney, Agent, or Firm* — McCarter & English, LLP

(57) **CLAIM**

The ornamental design for a bottle, as shown and described.

**DESCRIPTION**

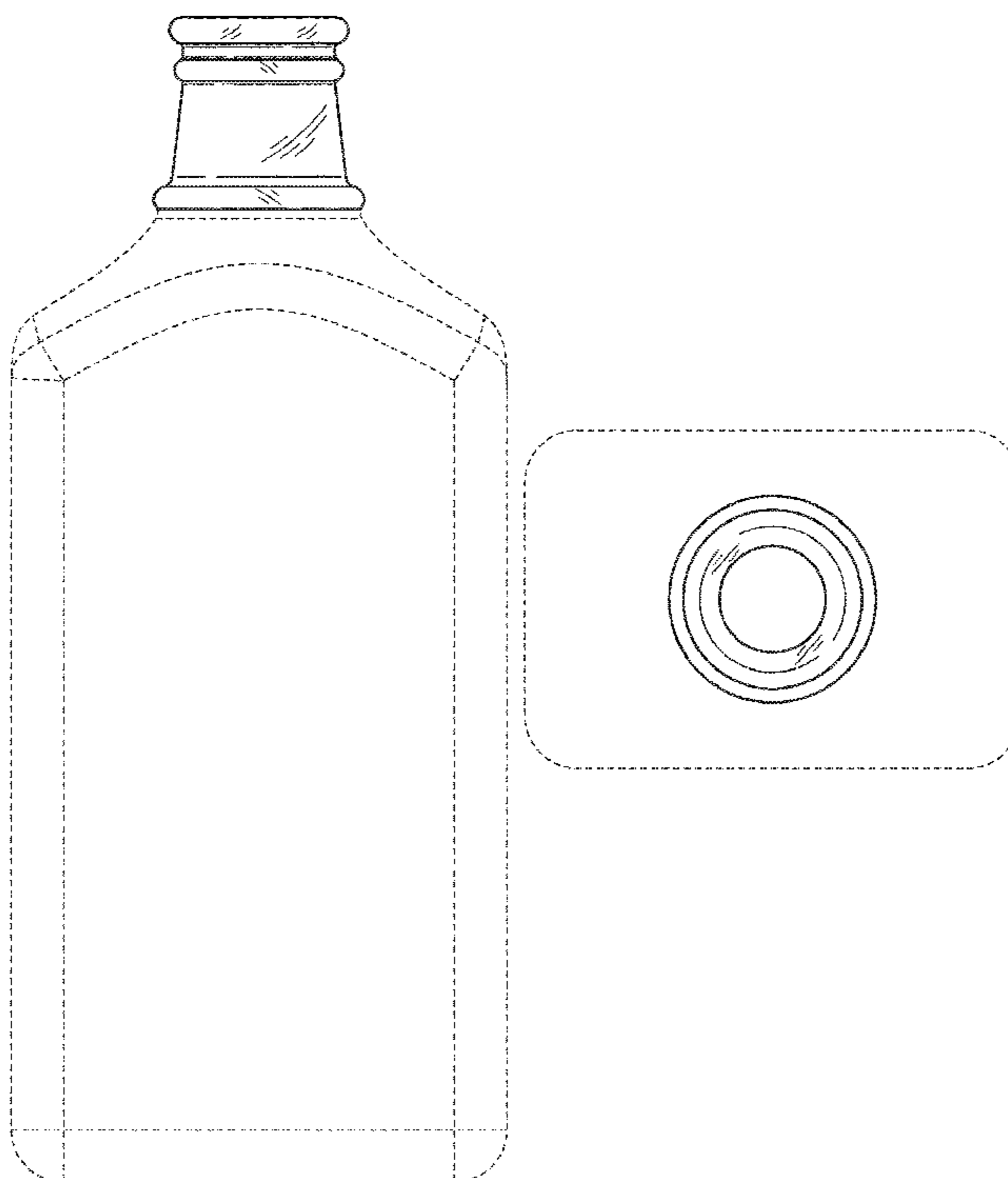
FIG. 1 is a perspective view of a bottle showing our new design;  
 FIG. 2 is a front view thereof, the rear view being substantially identical;  
 FIG. 3 is a right side view, the left side view being substantially identical;  
 FIG. 4 is a top view thereof; and,  
 FIG. 5 is a bottom view thereof.  
 The broken lines in the drawings illustrate the portions of the bottle that form no part of the claimed design.

**1 Claim, 4 Drawing Sheets**

(56) **References Cited**

U.S. PATENT DOCUMENTS

D86,629 S *	3/1932	Nitardy	.....	D9/570
D97,178 S *	10/1935	Clevenger	.....	D9/571
D260,611 S *	9/1981	Balcells	.....	D9/529
D379,765 S *	6/1997	Hencher	.....	D9/542
D450,597 S *	11/2001	Bobchenok	.....	D9/560
D456,271 S *	4/2002	Maloney	.....	D9/560



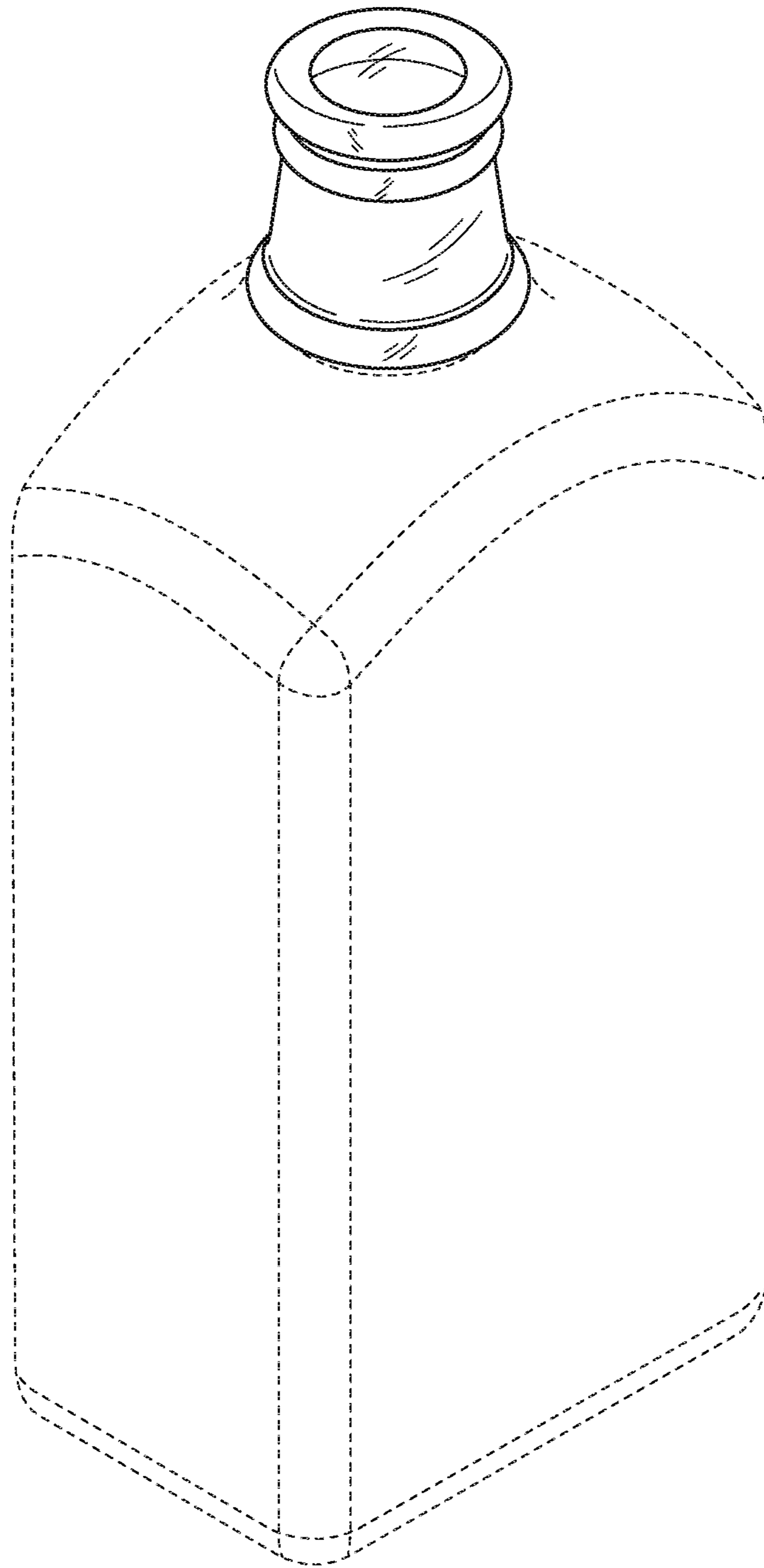


FIG. 1

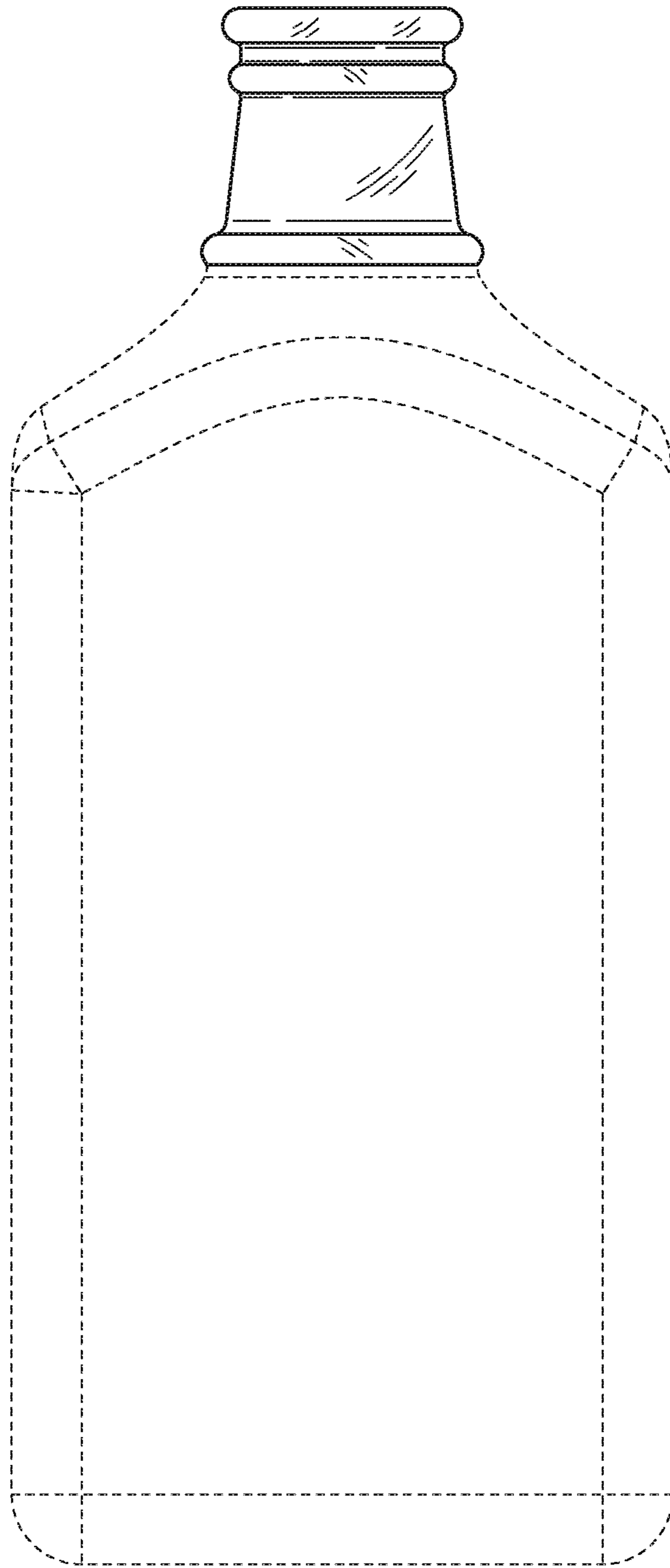


FIG. 2

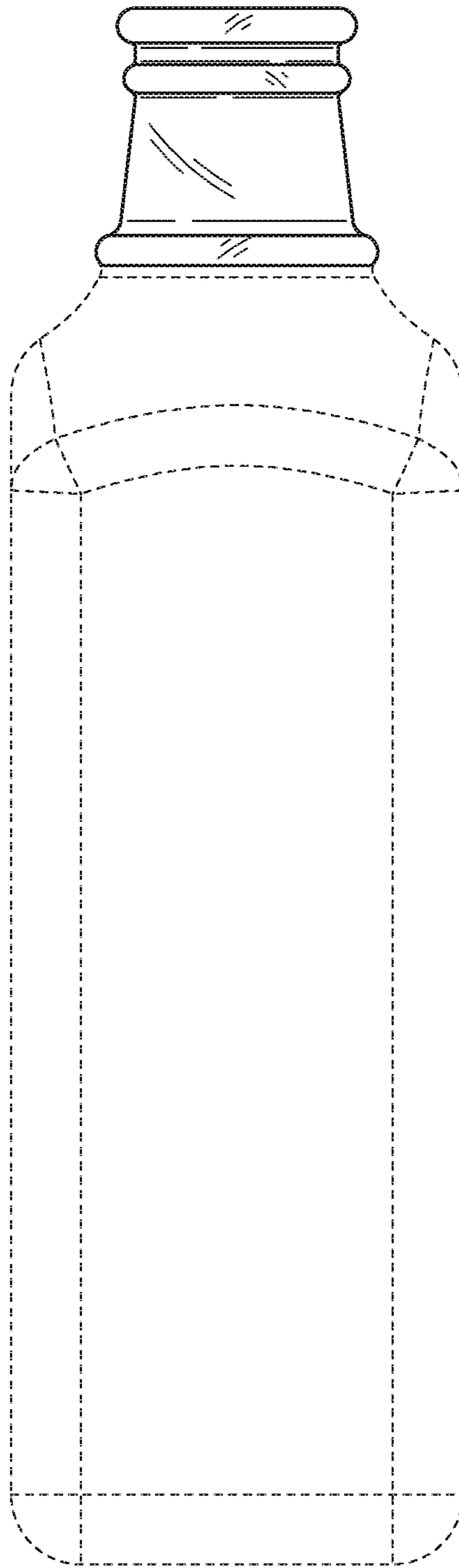


FIG. 3

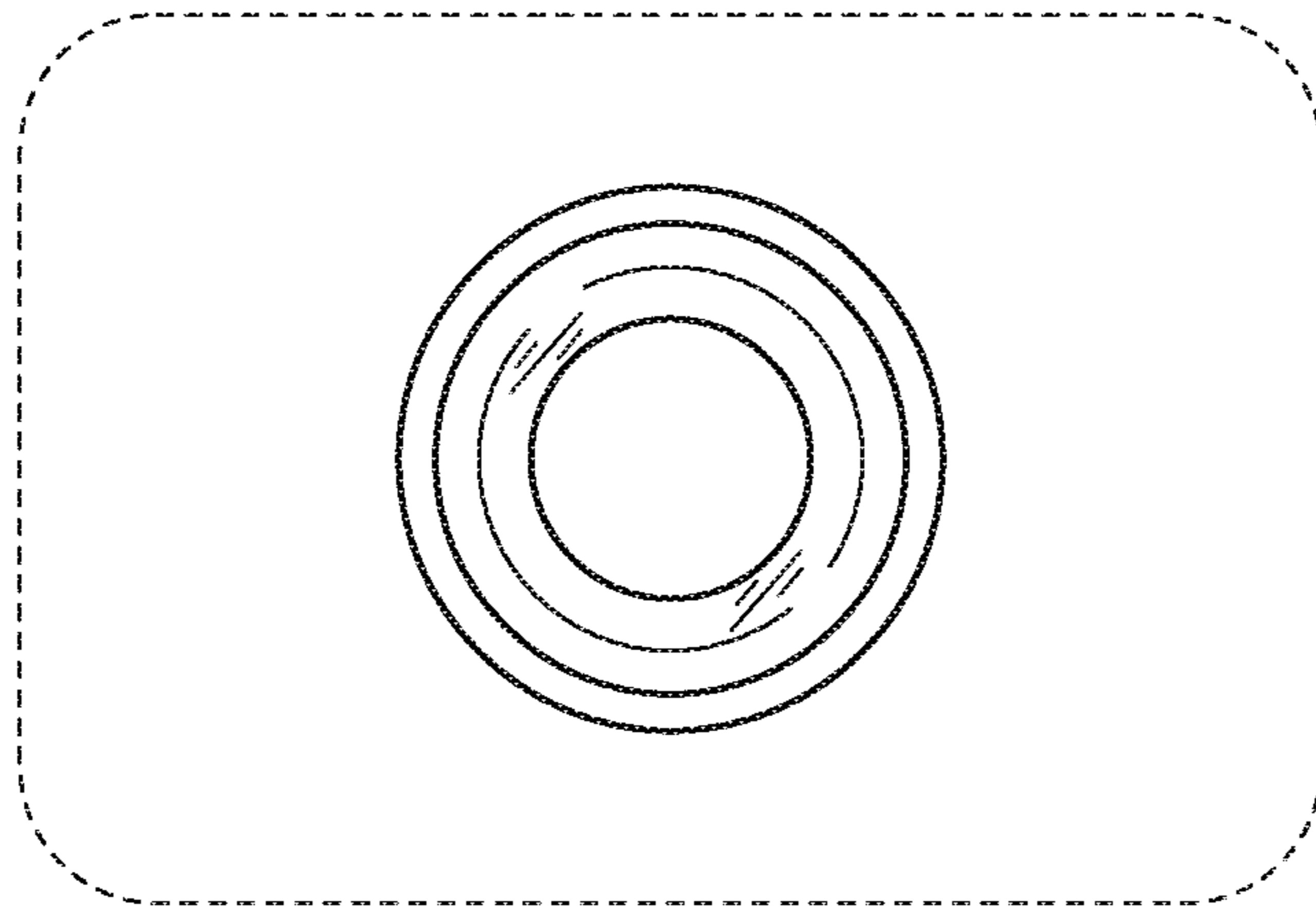


FIG. 4

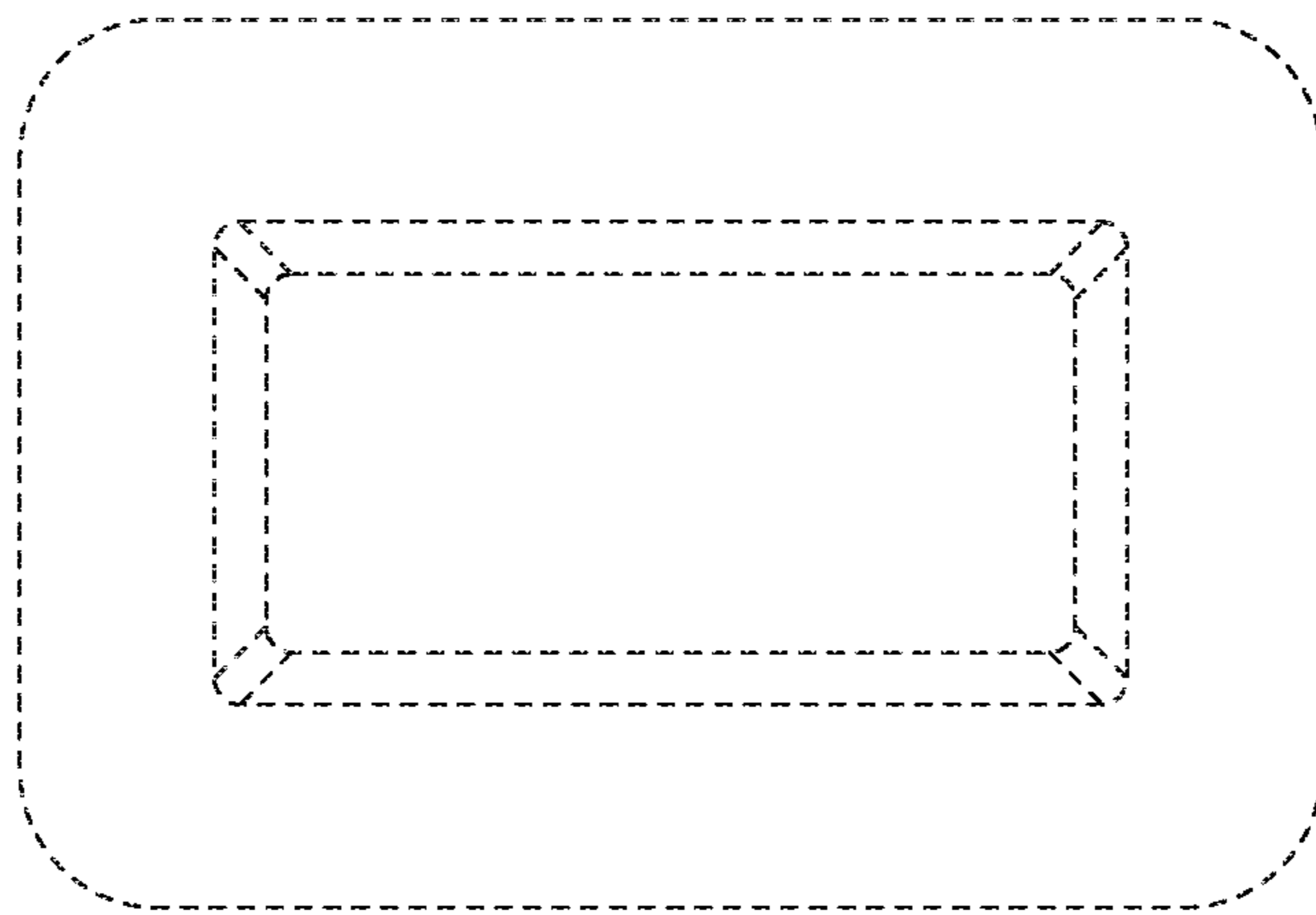


FIG. 5