



US00D891249S

(12) **United States Design Patent** (10) **Patent No.:** **US D891,249 S**
Lee (45) **Date of Patent:** **** Jul. 28, 2020**

(54) **AMPOULE CAP**

(71) Applicant: **AMI COSMETIC CO., LTD.**, Seoul (KR)

(72) Inventor: **Kyung-Rok Lee**, Seoul (KR)

(73) Assignee: **AMI COSMETIC CO., LTD.**, Seoul (KR)

(**) Term: **15 Years**

(21) Appl. No.: **29/617,463**

(22) Filed: **Sep. 14, 2017**

(30) **Foreign Application Priority Data**

Jun. 28, 2017 (KR) 30-2017-0029754

(51) **LOC (12) Cl.** **09-07**

(52) **U.S. Cl.**
USPC **D9/447; D24/115**

(58) **Field of Classification Search**

USPC D7/387, 391, 392, 392.1, 396.1, 396.2, D7/397, 398, 401.1, 415; D9/434, 435, D9/436, 439, 440, 447, 448, 453, 454, D9/723, 724, 727, 503, 504, 505, 516, D9/529, 548, 549, 696; D19/115, 192, D19/194; D23/213, 226, 249, 255; D24/111, 112, 115, 119, 127, 130, 141, D24/169, 193, 194, 196, 197, 199, 222, D24/224, 227; D27/194

CPC B65D 47/103; B65D 43/0222; B65D 2543/00046; B65D 2543/00092; B65D 25/48; B65D 1/02; A47G 19/2272; B65B 1/04; B65B 29/06; B05B 11/3059; B05B 11/0027; B05B 11/0032; B05B 11/3004; B05B 11/3015; B05B 11/306; B05B 11/3064; G03B 11/041; F16M 11/08; A61J

(Continued)

(56) **References Cited**

U.S. PATENT DOCUMENTS

3,063,267 A * 11/1962 Shand A61J 1/065
65/61
3,368,557 A * 2/1968 Hassing A61M 5/288
604/192

(Continued)

OTHER PUBLICATIONS

Marey Plastic Ampoule: Announced Dec. 25, 2017 [online]. Site Visited [Nov. 25, 2019]. Available from Internet URL: <https://marey.hu/product/plastic-ampoules-with-drop-by-drop-application/>.*

(Continued)

Primary Examiner — Catherine S Posthauer

(74) *Attorney, Agent, or Firm* — The Dobrusin Law Firm, P.C.

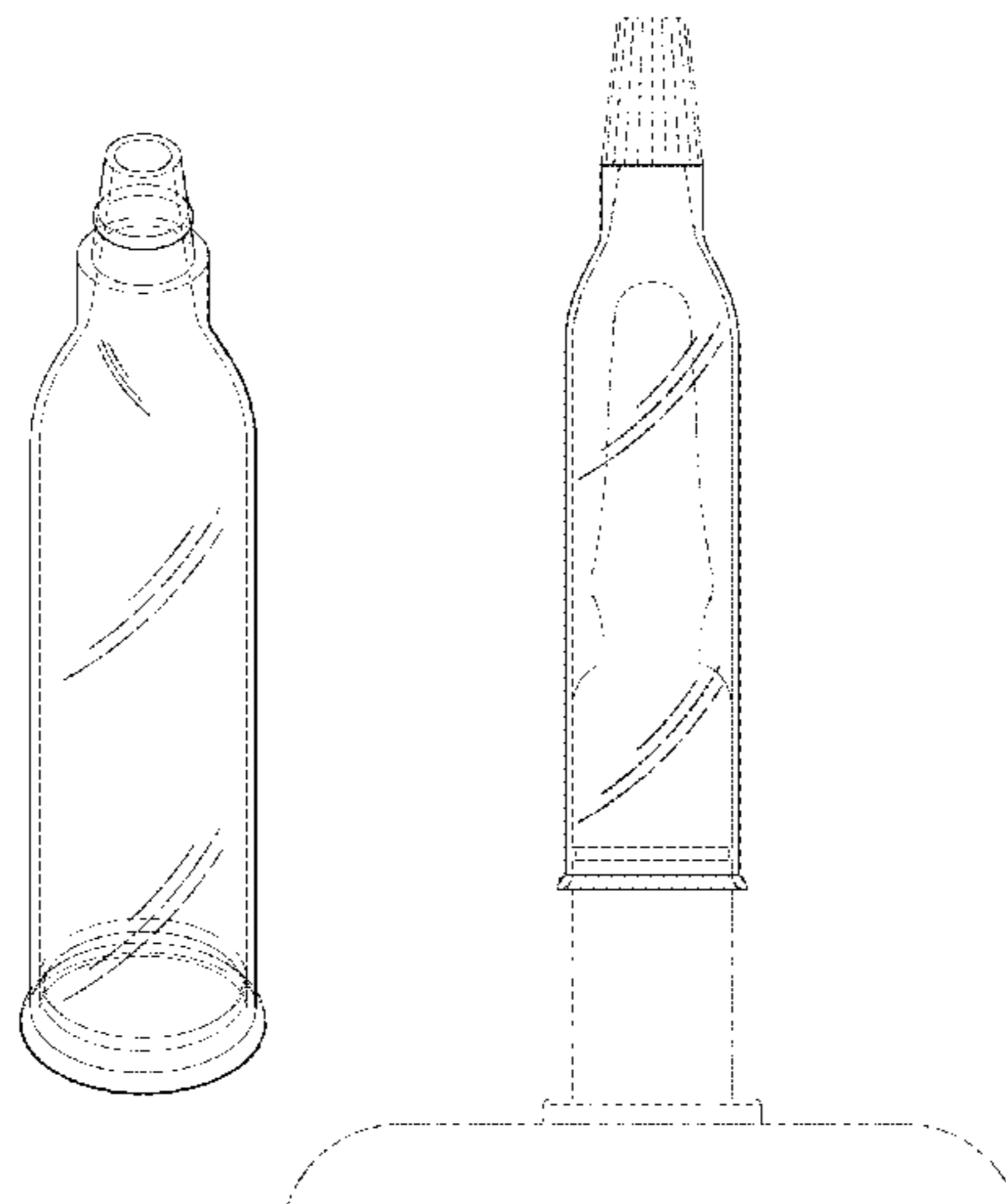
(57) **CLAIM**

The ornamental design for an ampoule cap, as shown and described.

DESCRIPTION

FIG. 1 is a perspective view of an ampoule cap, showing my new design;
FIG. 2 is a front view of the ampoule cap; the rear view, the left view, and the right view of the ampoule cap are the same as the front view;
FIG. 3 is a top view of the ampoule cap;
FIG. 4 is a bottom view of the ampoule cap; the right view of the ampoule cap is the same as the left view;
FIG. 5 is a cross-sectional view of the ampoule cap taken in the direction of line 5-5 on FIG. 3; and,
FIG. 6 is a front view of the ampoule cap in an environment of use with an exemplary ampoule, a lid, and a support plate. The broken lines in the drawings are shown for the purpose of illustrating environmental subject matter of an exemplary ampoule, a lid, and a support plate, none of which form part of the claimed design.

1 Claim, 6 Drawing Sheets



(58) **Field of Classification Search**
 CPC .. 1/06; A61J 1/065; A61J 1/2093; A61J 1/201
 See application file for complete search history.

(56) **References Cited**

U.S. PATENT DOCUMENTS

3,375,948	A *	4/1968	Creevy	C03B 23/18 215/49
3,459,185	A *	8/1969	Bender	A61J 1/065 604/404
D216,362	S *	12/1969	McIlroy	D9/503
D237,685	S *	11/1975	Picker	D9/503
4,266,681	A *	5/1981	Fredericks	A61J 1/065 215/47
4,826,025	A *	5/1989	Abiko	A61J 1/065 215/49
4,898,605	A *	2/1990	Mannl	A61J 1/065 65/113
D340,519	S *	10/1993	Ogden	D24/120
5,379,898	A *	1/1995	Joulia	A61J 1/065 206/528
D468,640	S *	1/2003	Mitchell	D9/503
D641,626	S *	7/2011	Kaplan	D9/447
D698,253	S *	1/2014	Nakagawa	D9/548
D705,070	S *	5/2014	Zheng	D9/523
D756,787	S *	5/2016	Marchant	D9/503
D763,078	S *	8/2016	Roy	D9/434
D777,575	S *	1/2017	Harada	D9/503
D826,068	S *	8/2018	Aboabdo	D9/724
D834,950	S *	12/2018	Aboabdo	D9/724
D850,930	S *	6/2019	Wang	D9/724
D855,476	S *	8/2019	Aboabdo	D9/724

D860,004	S *	9/2019	Aboabdo	D9/724
D862,234	S *	10/2019	Harris	D9/516
2002/0169408	A1 *	11/2002	Beretta	A61B 17/00491 604/19
2010/0198165	A1 *	8/2010	Zihlmann	A61L 2/06 604/208
2013/0018329	A1 *	1/2013	Mehta	B65D 1/095 604/246
2019/0161250	A1 *	5/2019	Balk	B65D 47/063
2019/0183552	A1 *	6/2019	Kluge	B01F 15/0206

OTHER PUBLICATIONS

Transparent Glass Ampoule: Announced 1998 [online]. Site Visited [Nov. 25, 2019]. Available from Interent URL: <https://www.indiamart.com/proddetail/glass-ampoule-bottle-8457311933.html>.*

Medicinal Glass Ampoule: Announced 1998 [online]. Site Visited [Nov. 25, 2019]. Available from Internet URL: <https://jnwangda.en.made-in-china.com/product/TMRnbhehdUL/China-Medicinal-Glass-Ampoule.html>.*

Canadian Examiners Report, CA Application No. 176850 dated Mar. 22, 2018.

India Examination Report, IN Application No. 297549 dated Oct. 24, 2017.

Korean Office Action, KR Application No. 30-2017-0029754 dated Dec. 13, 2017.

Thailand 1st Office Action, TH Application No. 1702003570 dated Dec. 13, 2017.

Thailand 2nd Office Action, TH Application No. 1702003570 dated Jun. 20, 2018.

* cited by examiner

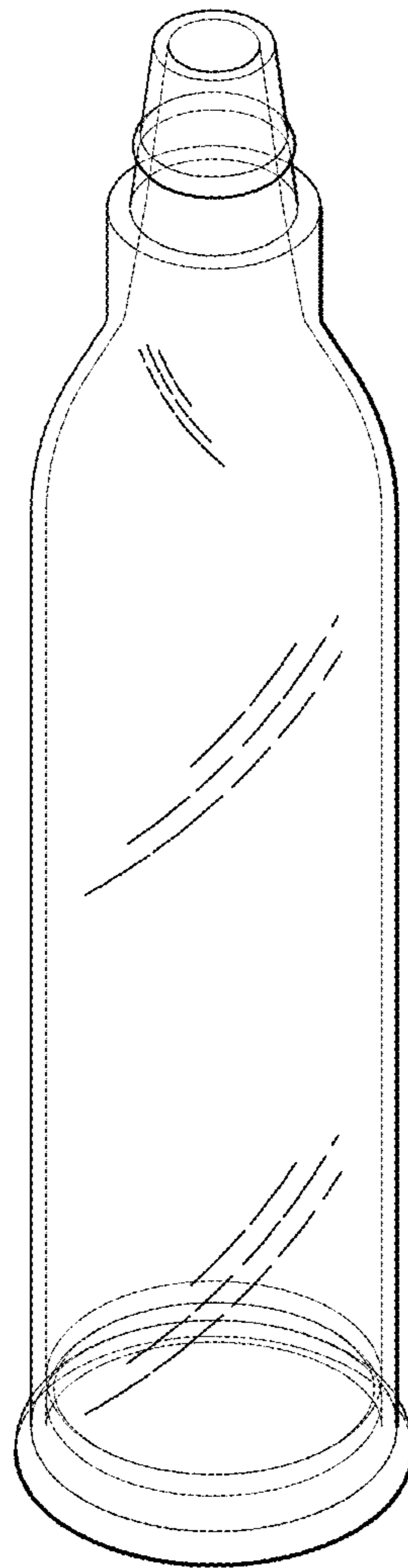


FIG. 1

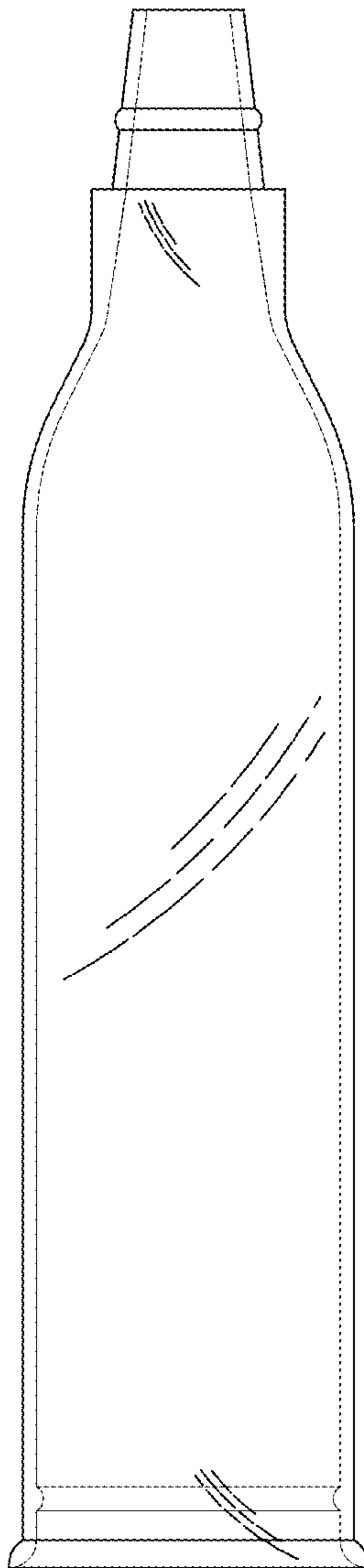


FIG. 2

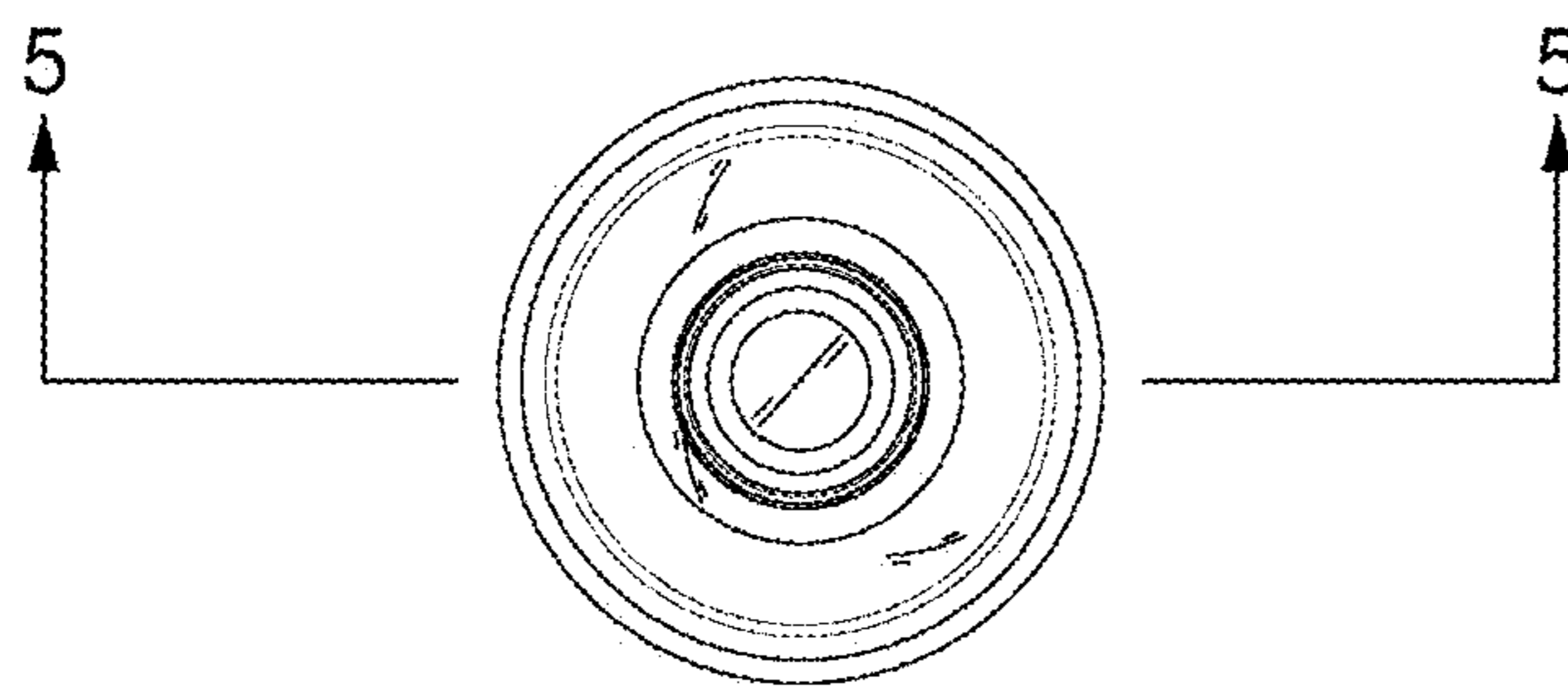


FIG.3

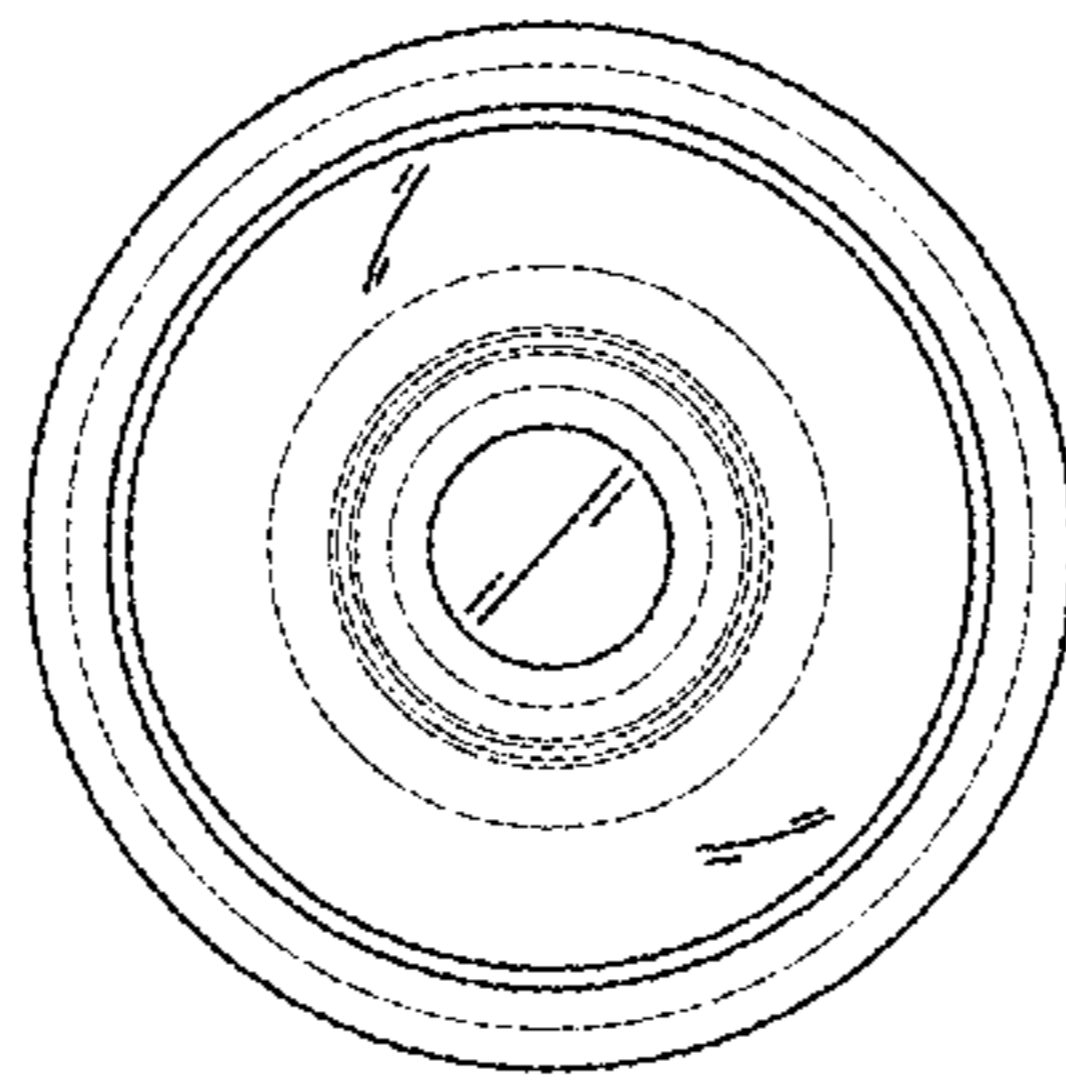


FIG. 4

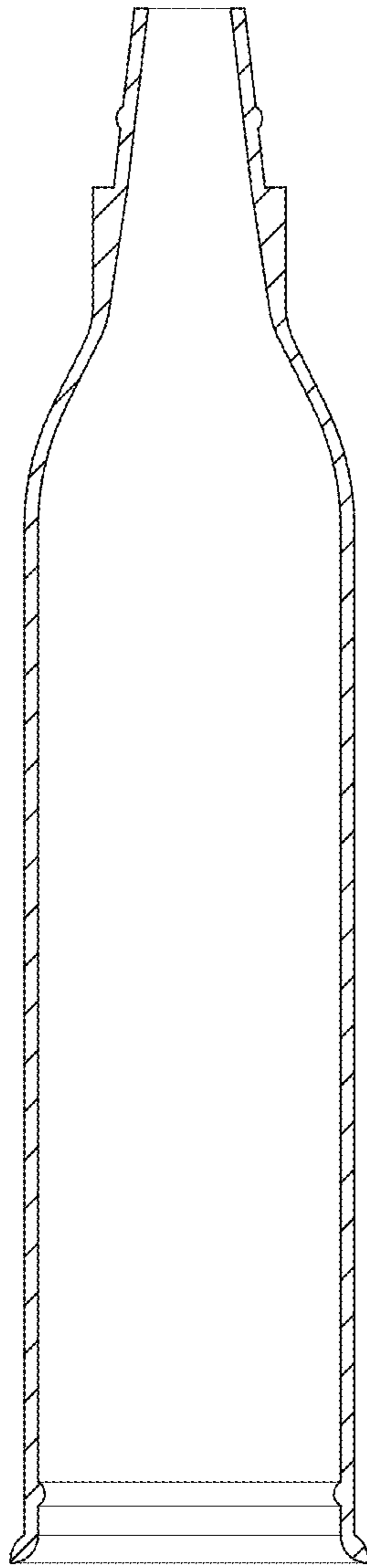


FIG. 5

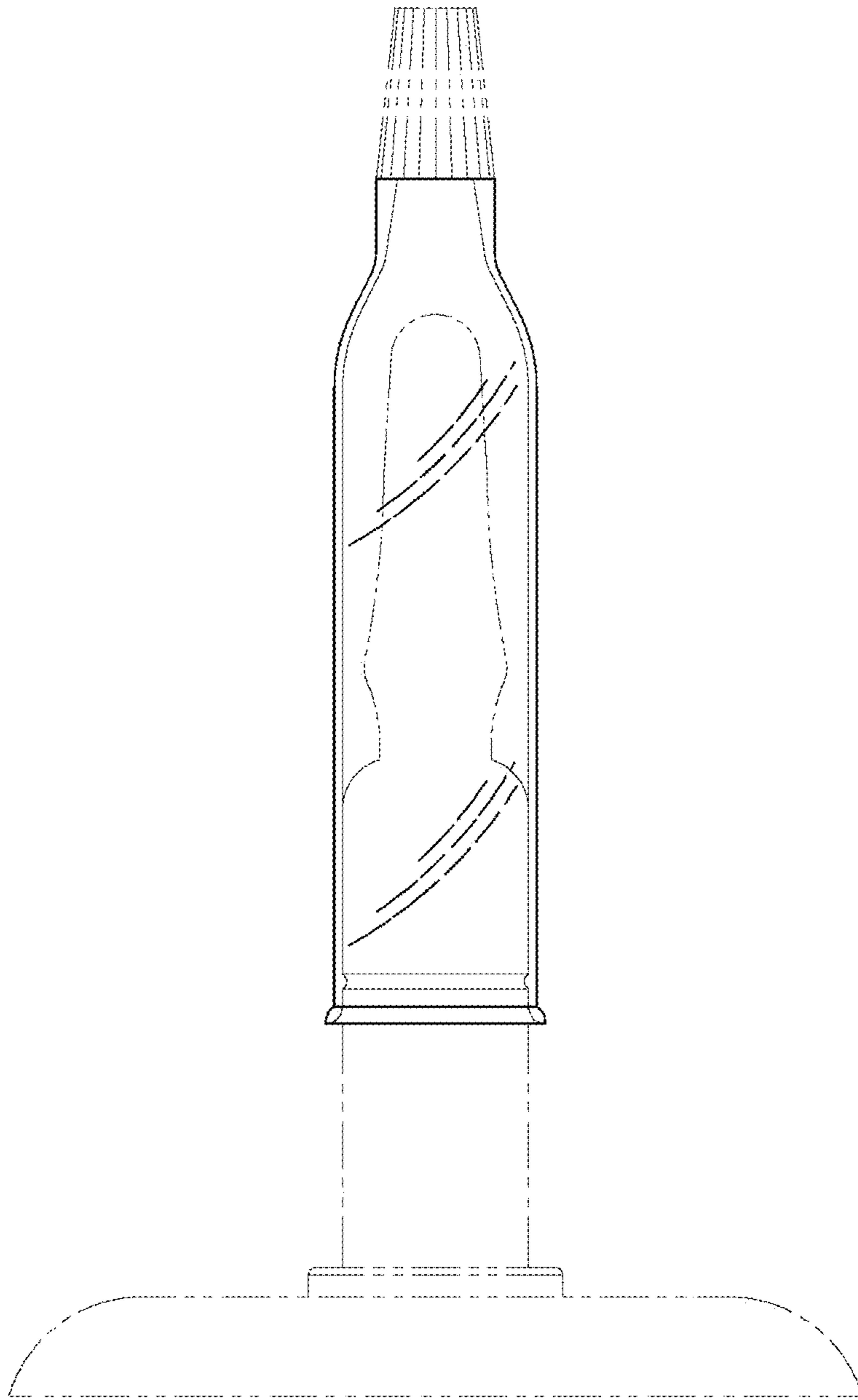


FIG. 6