



US00D891246S

(12) **United States Design Patent**
Raut et al.

(10) **Patent No.:** **US D891,246 S**
(45) **Date of Patent:** **** Jul. 28, 2020**

- (54) **CONTAINER**
- (71) Applicant: **Blue Apron, LLC**, New York, NY (US)
- (72) Inventors: **Gaurav Raut**, New York, NY (US);
Amelia Bryant Black, Brooklyn, NY (US); **Gaurav Nandkishor Kale**, Edison, NJ (US)
- (73) Assignee: **Blue Apron, LLC**, New York, NY (US)
- (**) Term: **15 Years**
- (21) Appl. No.: **29/640,181**
- (22) Filed: **Mar. 12, 2018**
- (51) **LOC (12) Cl.** **09-03**
- (52) **U.S. Cl.**
USPC **D9/432**
- (58) **Field of Classification Search**
USPC D9/414, 420, 424-426, 430, 431, 432,
D9/449, 715; D7/546, 549, 538, 553,
D7/601, 602, 615, 701
CPC B65D 2543/00101; B65D 2543/00194;
B65D 43/02; B65D 77/2016; B65D
2543/0024
See application file for complete search history.

(56) **References Cited**
U.S. PATENT DOCUMENTS

D240,802 S	8/1976	Congleton	
D241,822 S	10/1976	Jewell	
D277,167 S	1/1985	Dart	
4,576,330 A	3/1986	Schepp	
D377,739 S *	2/1997	Carlson	D7/602
D382,795 S *	8/1997	Abayhan	D9/425
5,860,530 A	1/1999	Simmons et al.	
D408,733 S	4/1999	McCann	
D408,734 S	4/1999	McCann	

D420,584 S	2/2000	Hopkins	
D467,496 S *	12/2002	Hayes	D9/425
D540,666 S	4/2007	Ramirez et al.	
D579,326 S *	10/2008	Chen	D9/425
D604,604 S *	11/2009	Strange	D9/424
D625,180 S *	10/2010	Enriquez	D9/425
D628,472 S *	12/2010	Strange	D9/425
D657,237 S	4/2012	Allers et al.	
D663,615 S *	7/2012	Liang	D9/425
D664,427 S *	7/2012	Chen	D9/425
D664,841 S	8/2012	Allers et al.	
D668,536 S *	10/2012	Sanfilippo	D9/423
D668,537 S *	10/2012	Sanfilippo	D9/423
D668,950 S *	10/2012	Sanfilippo	D9/423
D680,875 S *	4/2013	Kim	D9/425
D681,450 S	5/2013	Wichmann	
D684,466 S	6/2013	Wichmann	
D690,194 S *	9/2013	Snedden	D9/425
D691,038 S *	10/2013	Tyberghein	D7/629
D692,748 S *	11/2013	Short	D9/420

(Continued)

Primary Examiner — Shannon W Morgan

Assistant Examiner — Keith Frank

(74) *Attorney, Agent, or Firm* — Sterne, Kessler, Goldstein & Fox P.L.L.C.

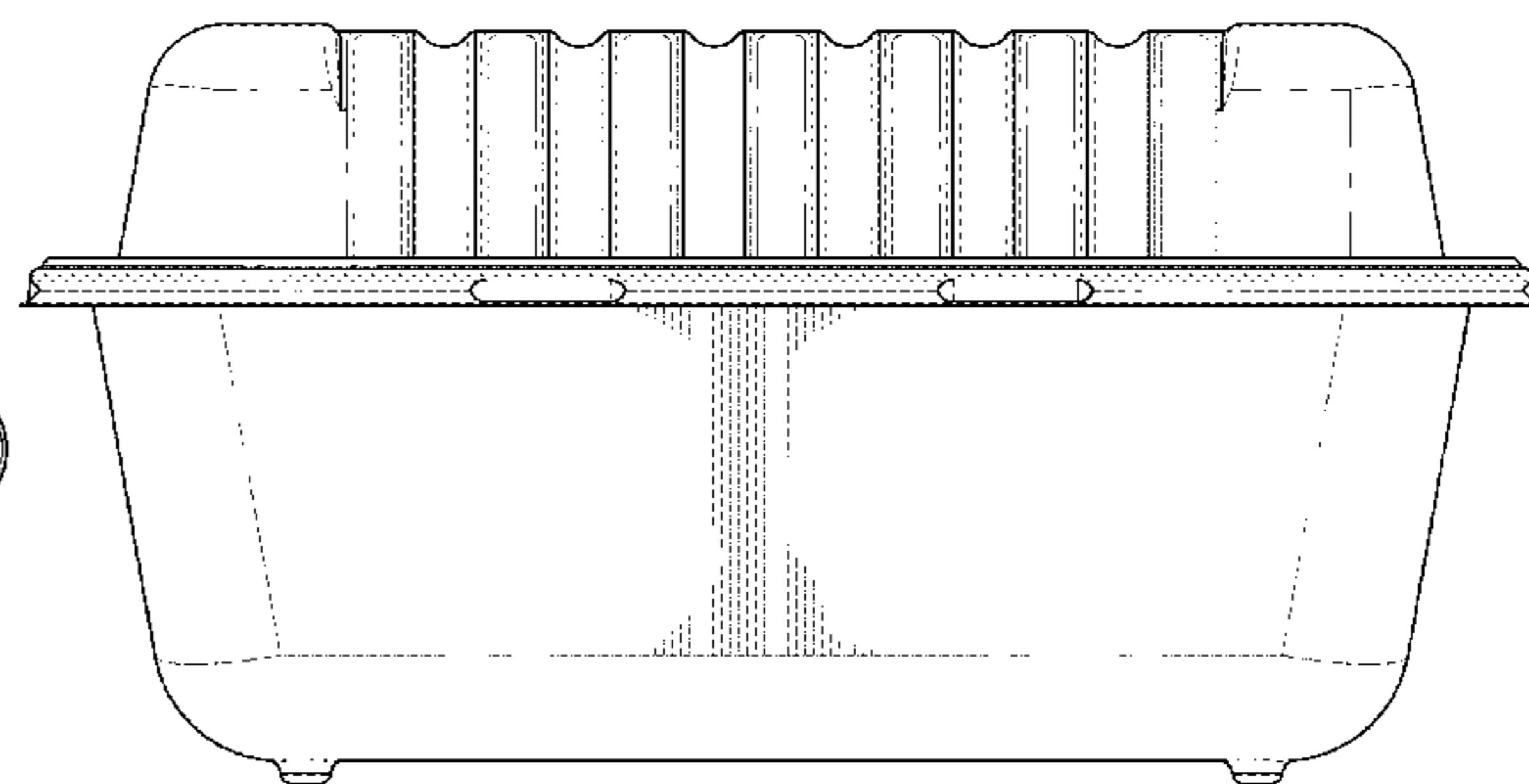
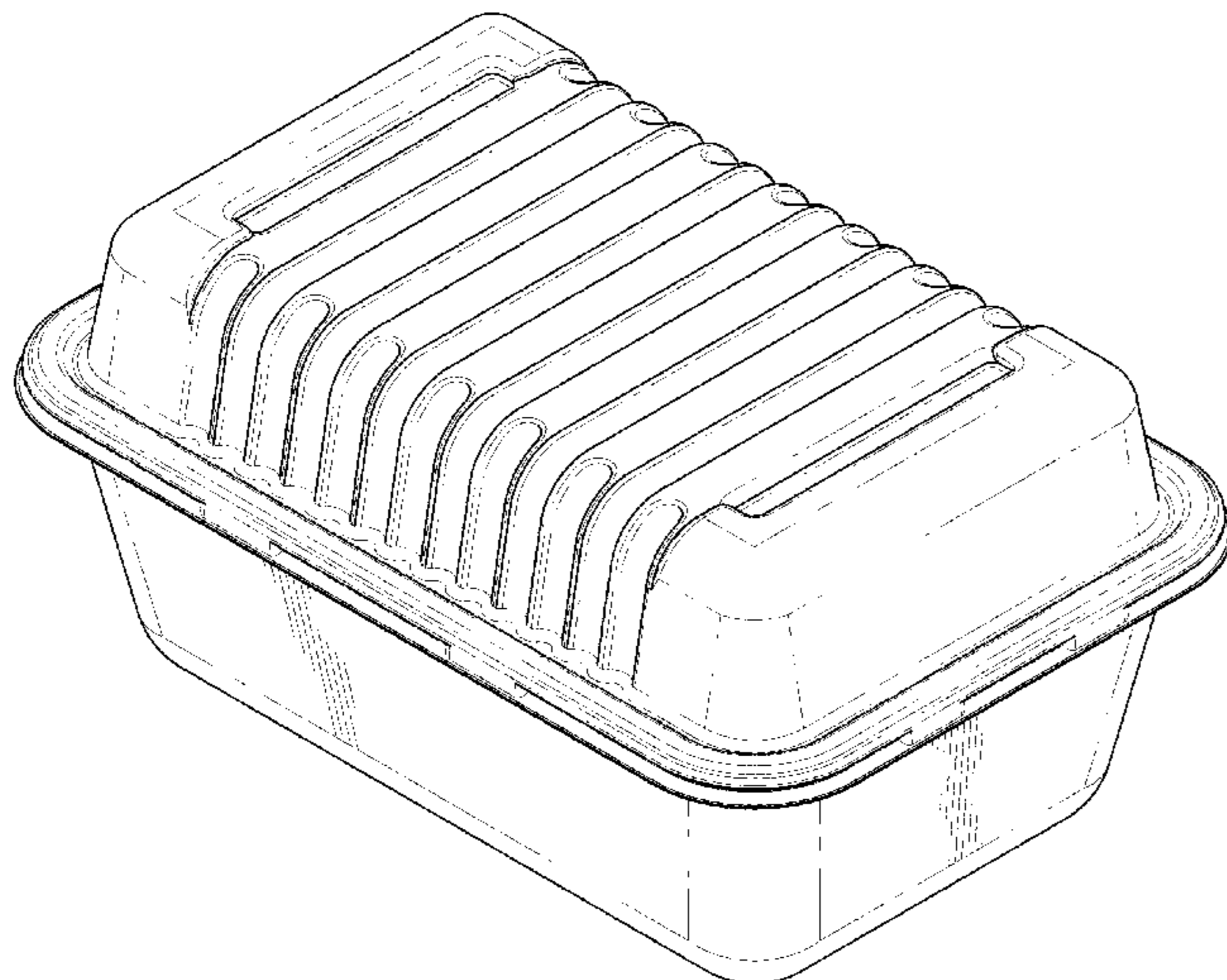
(57) **CLAIM**

The ornamental design for a container, as shown.

DESCRIPTION

FIG. 1 is a top perspective view of a container showing the claimed design;
 FIG. 2 is a bottom perspective view thereof;
 FIG. 3 is a front view thereof;
 FIG. 4 is a rear view thereof;
 FIG. 5 is a left side view thereof;
 FIG. 6 is a right side view thereof;
 FIG. 7 is a top view thereof; and,
 FIG. 8 is a bottom view thereof.

1 Claim, 8 Drawing Sheets



(56)

References Cited

U.S. PATENT DOCUMENTS

D734,664	S	7/2015	Murphy et al.	
D742,219	S	11/2015	Murphy et al.	
D756,770	S *	5/2016	Snedden	D9/425
D769,113	S *	10/2016	Chen	D9/425
D788,578	S *	6/2017	Zhang	D9/425
D816,482	S	5/2018	Street et al.	
D821,820	S	7/2018	Chen	
D824,249	S	7/2018	Mei	
D830,822	S *	10/2018	Buck	D9/425
D836,003	S *	12/2018	Ma	D9/734
D837,602	S *	1/2019	Malcolm	D7/542
D838,584	S *	1/2019	Lam	D9/425
D850,902	S *	6/2019	Raut	D9/414
D852,037	S *	6/2019	Lin	D9/425
2010/0326998	A1 *	12/2010	Short	B65D 25/2873 220/780

* cited by examiner

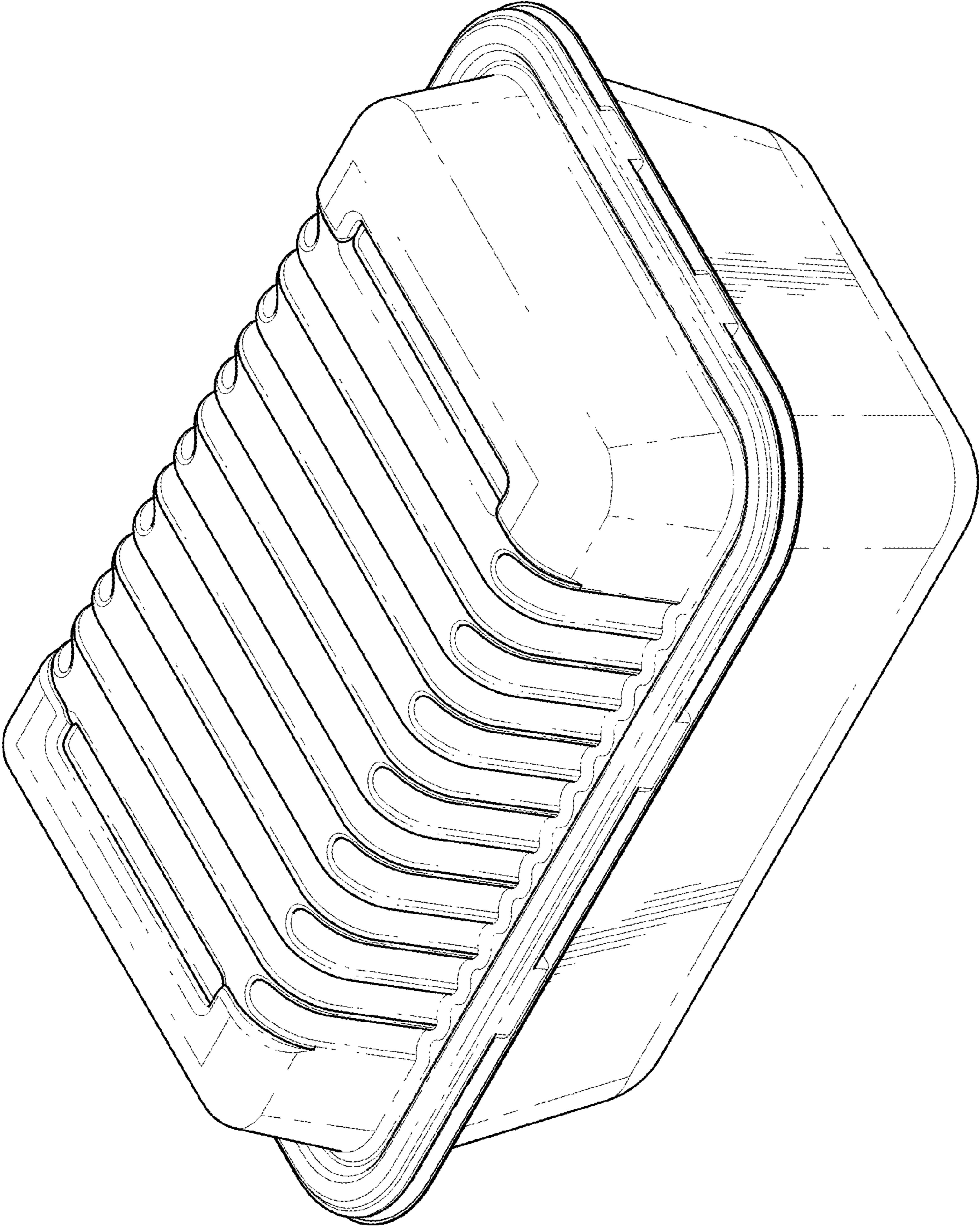


FIG.1

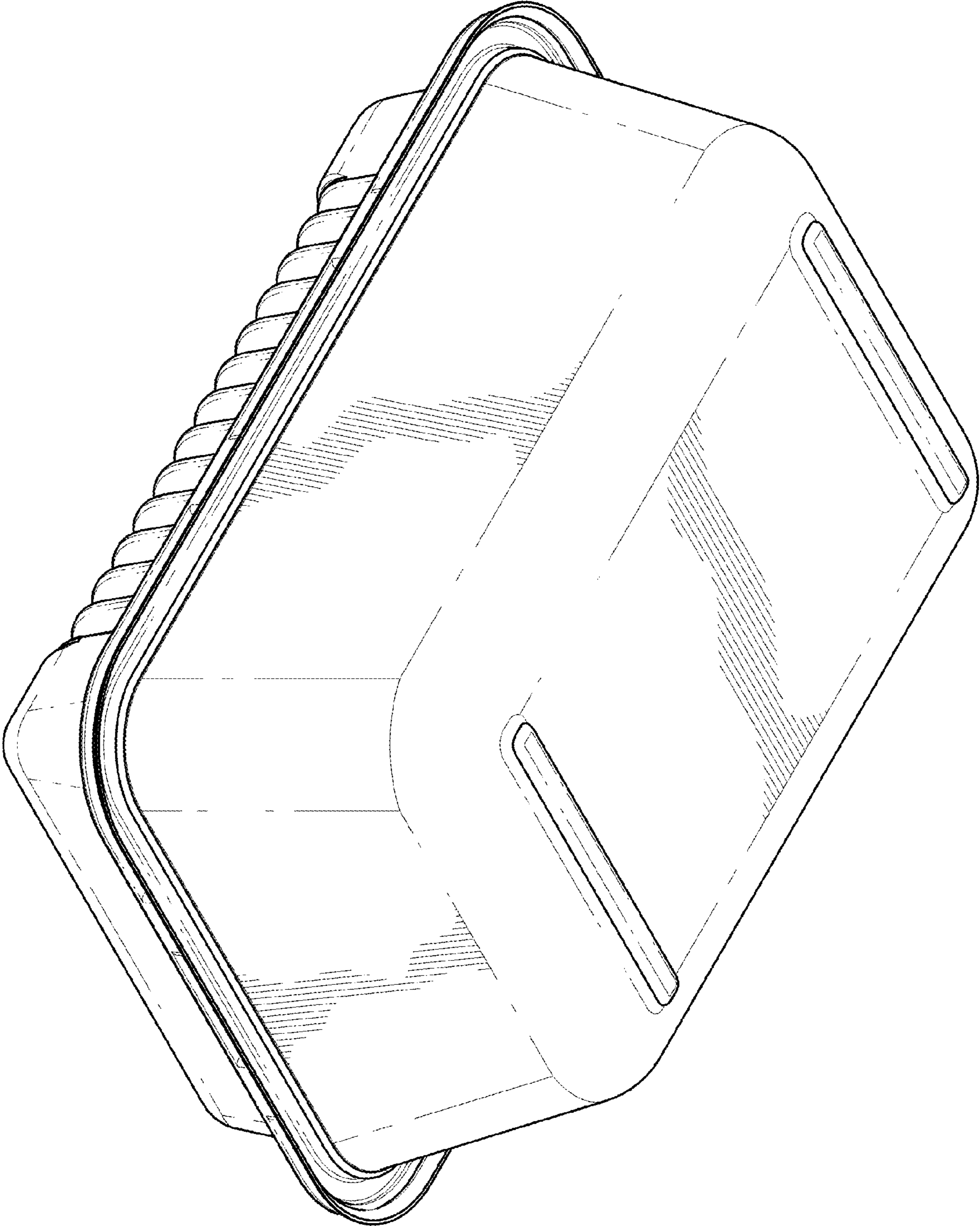


FIG.2

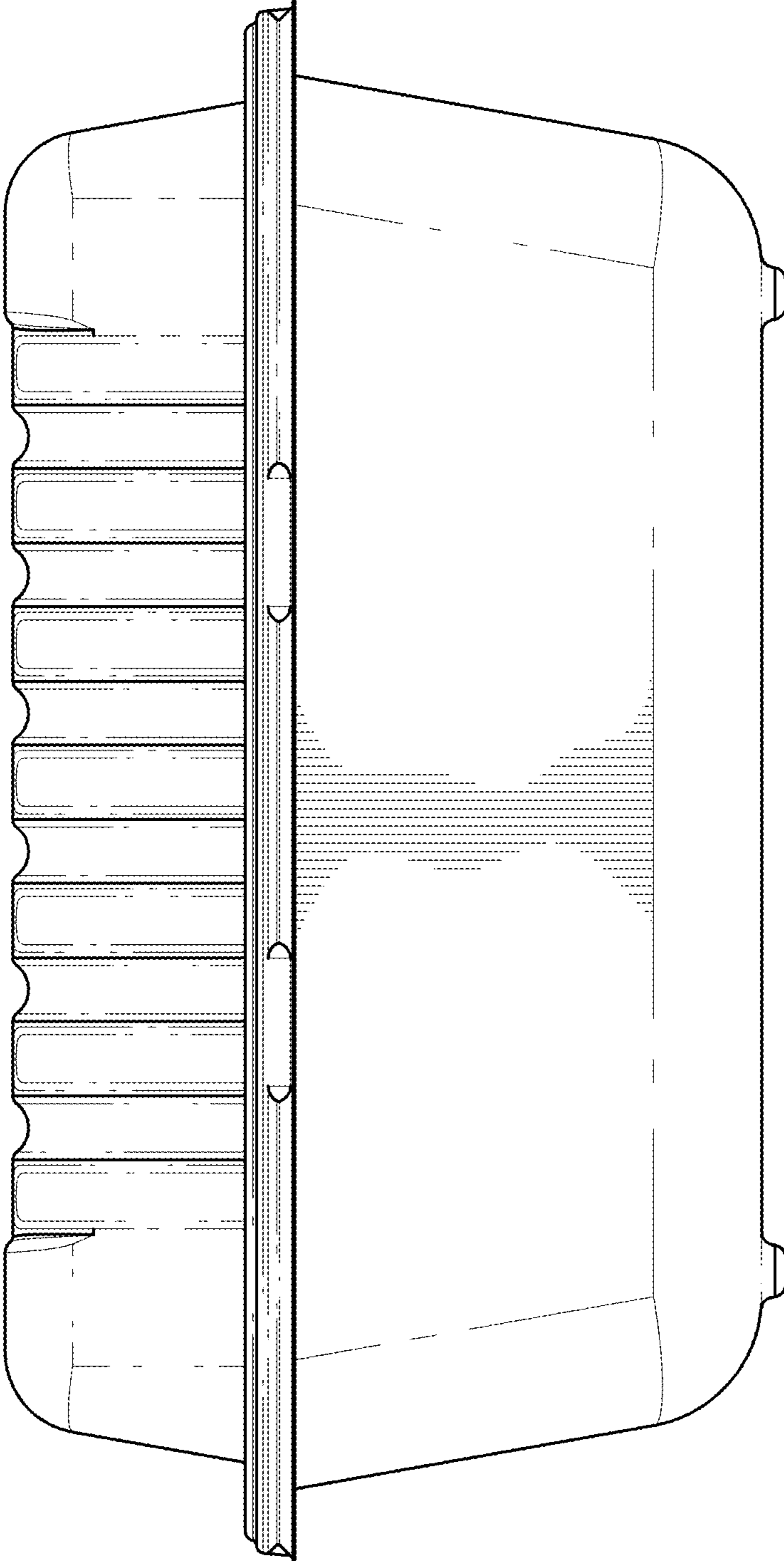


FIG.3

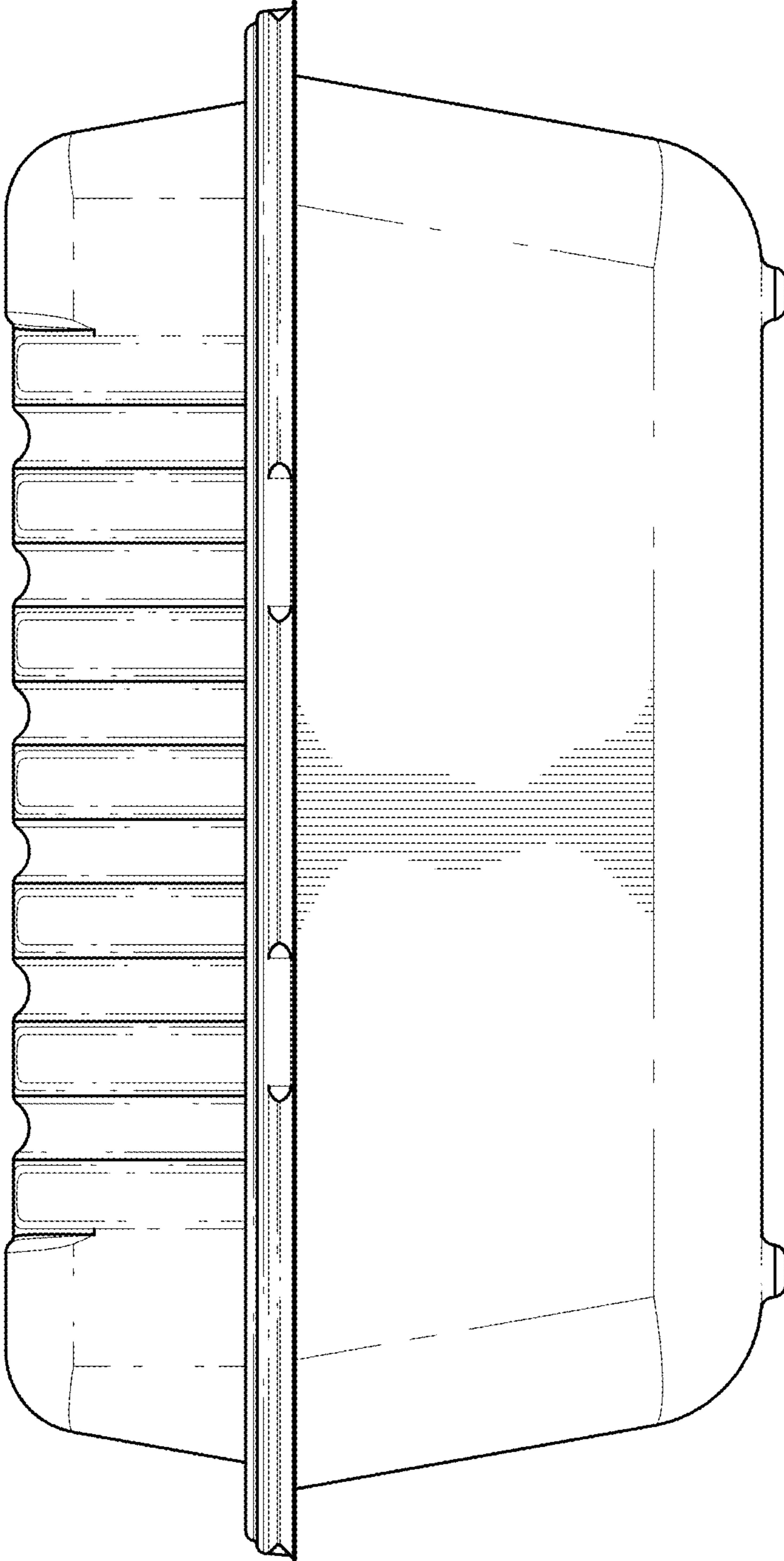


FIG.4

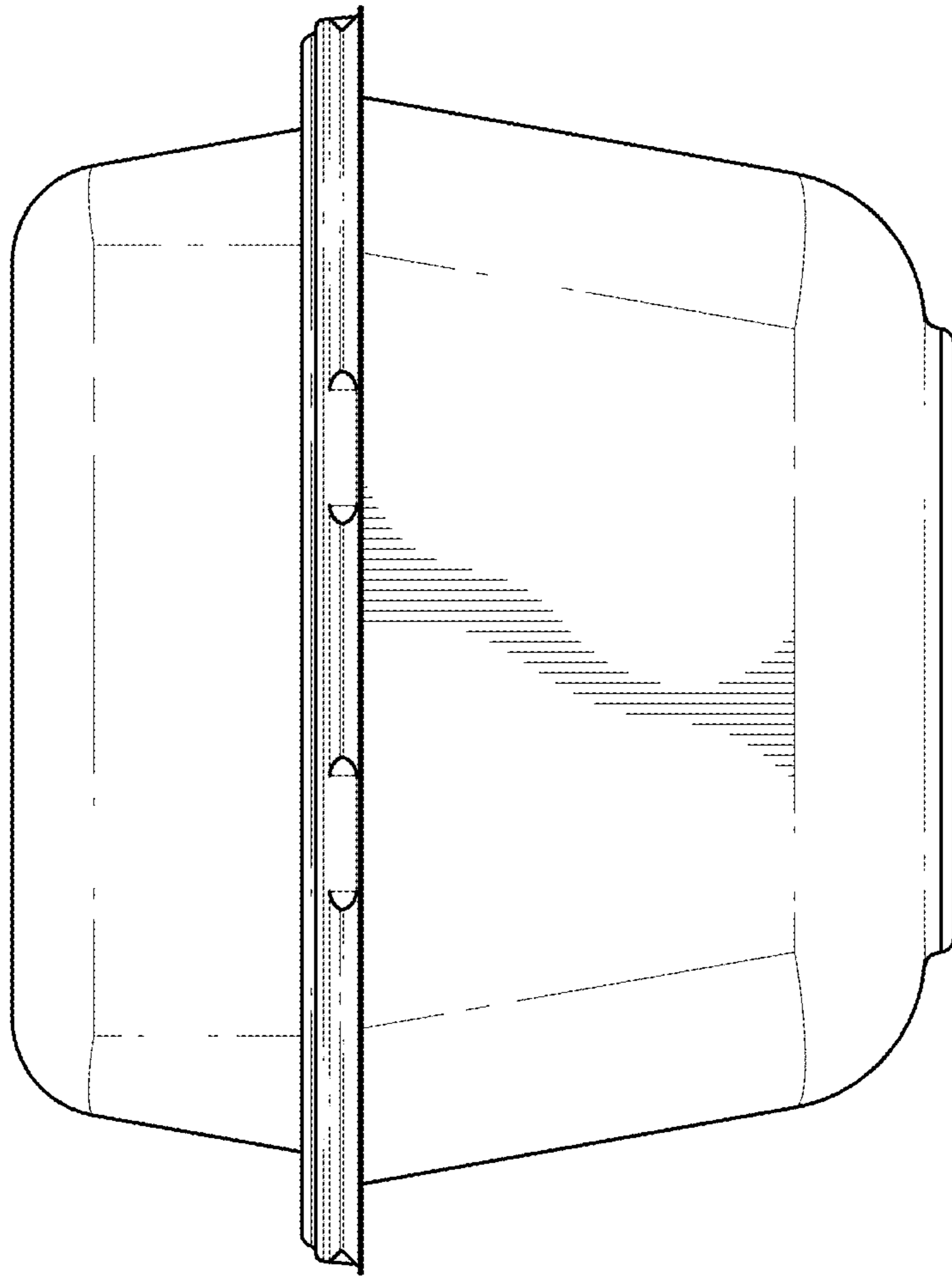


FIG. 5

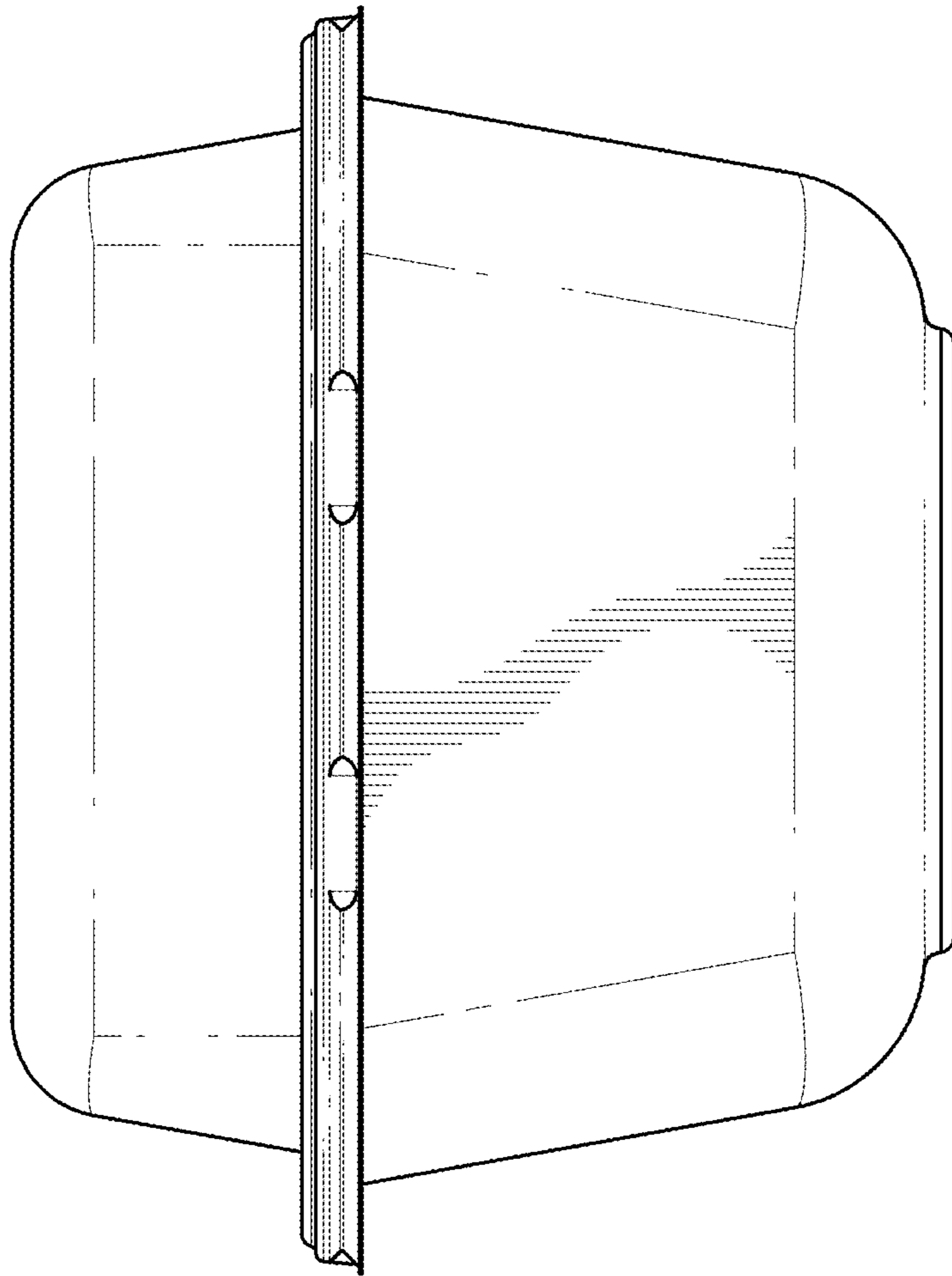


FIG.6

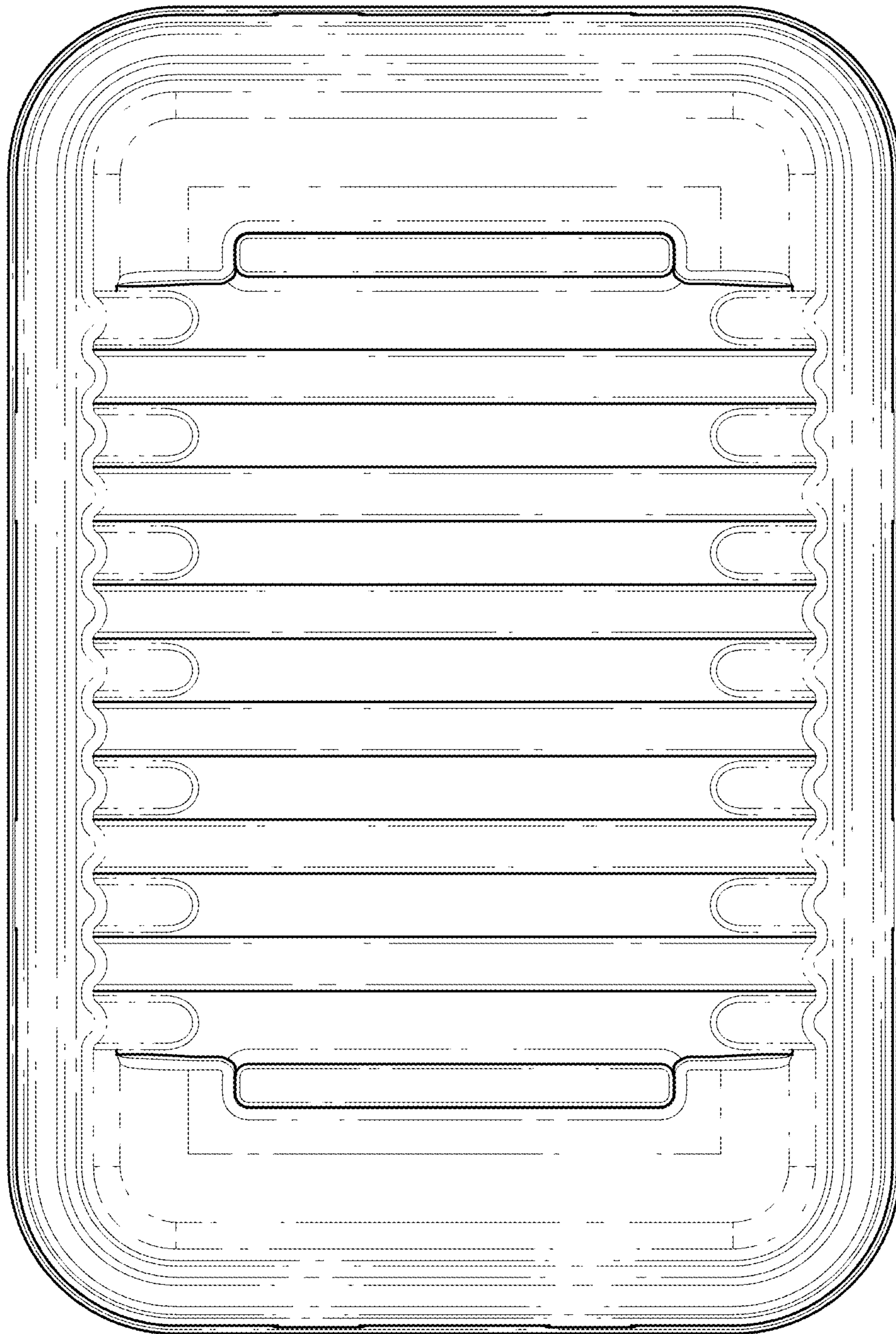


FIG.7

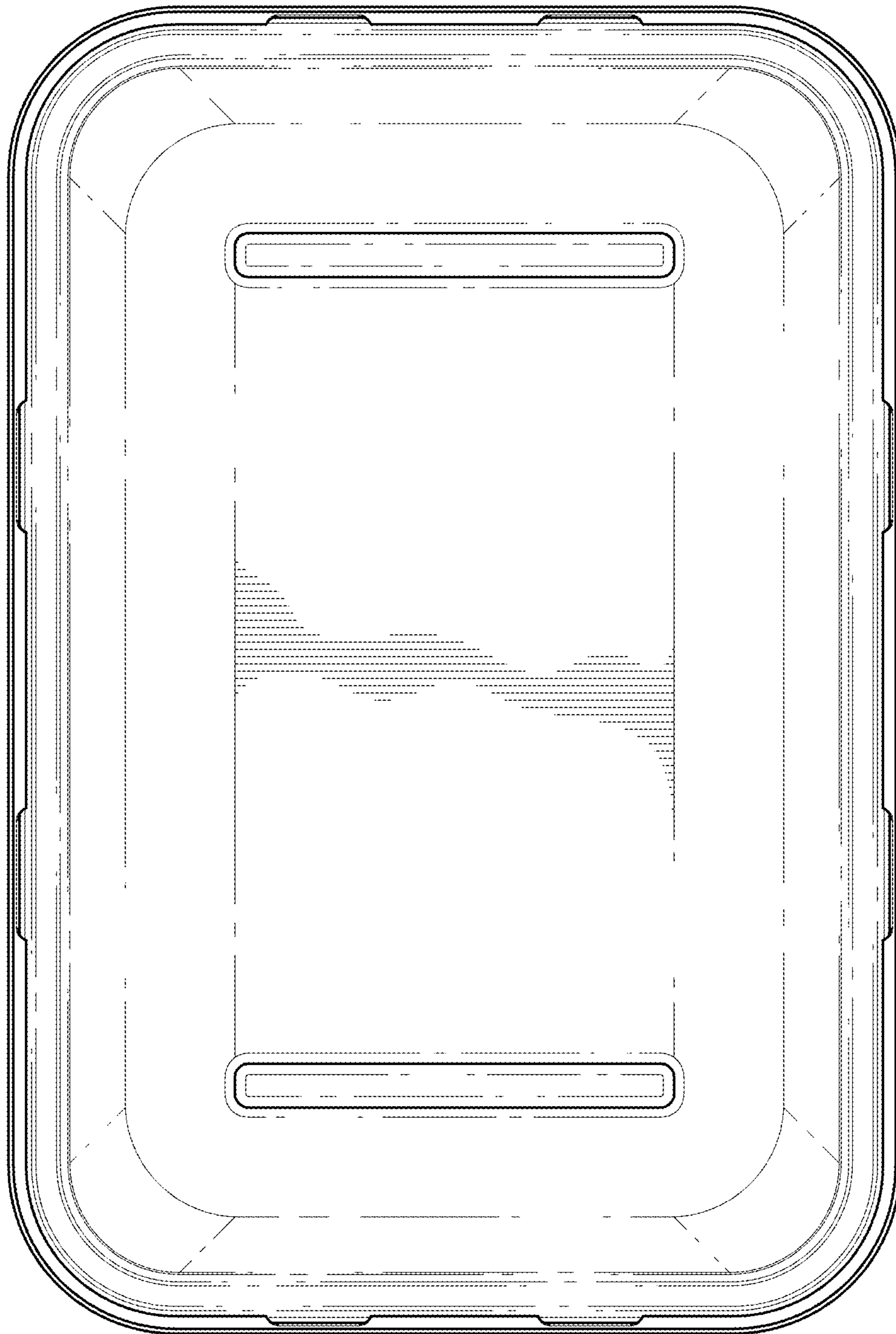


FIG. 8