



US00D891245S

(12) **United States Design Patent**
Lee et al.

(10) **Patent No.:** **US D891,245 S**
(45) **Date of Patent:** **** Jul. 28, 2020**

- (54) **PACKAGING PAPER**
- (71) Applicant: **CJ CHEILJEDANG CORPORATION**, Seoul (KR)
- (72) Inventors: **Byung Kook Lee**, Seoul (KR); **Dong Rag Son**, Seoul (KR); **Kyoung Sik Cho**, Seoul (KR); **Kwang Soo Park**, Gwacheon-si (KR)
- (73) Assignee: **CJ CheilJedang Corporation**, Seoul (KR)

4,260,097 A *	4/1981	Nold	B65D 5/029
				229/108
4,347,686 A *	9/1982	Wood	A01G 9/0291
				47/73
D305,978 S *	2/1990	Mileos	D7/672
D312,392 S *	11/1990	Mileos	D9/697
D402,197 S *	12/1998	Poulin	D9/712
D547,675 S *	7/2007	Davi	D9/712
D551,967 S *	10/2007	Hengami	D9/431
D586,663 S *	2/2009	Tidqvist	D9/712
D596,022 S *	7/2009	van den Berg	D9/416
D611,341 S *	3/2010	Belce	D9/431
D651,075 S *	12/2011	Ren	D9/431

(Continued)

(**) Term: **15 Years**

(21) Appl. No.: **29/685,491**

(22) Filed: **Mar. 28, 2019**

(30) **Foreign Application Priority Data**

Jan. 3, 2019 (KR) 30-2019-0000346

(51) **LOC (12) Cl.** **09-03**

(52) **U.S. Cl.**
USPC **D9/431; D9/712**

(58) **Field of Classification Search**
USPC D9/414-423, 430-433, 434, 456, 457,
D9/711, 713, 721-722, 737, 756, 758,
D9/759, 760

CPC ... B65D 5/00; B65D 5/02; B65D 5/18; B65D
5/20

See application file for complete search history.

(56) **References Cited**

U.S. PATENT DOCUMENTS

2,063,645 A *	12/1936	Ware	B65D 5/008
				229/115
3,079,062 A *	2/1963	Craddock	B65D 5/029
				229/116
3,558,034 A *	1/1971	Benachi	B65D 5/0055
				229/152

OTHER PUBLICATIONS

Minute Maid Juice Bars Make for a Refreshing Summer Treat.
[online] Published Jul. 11, 2014. Retrieved Apr. 20, 2020 from
URL: <https://chicnsavvyreviews.net/minute-maid-juice-bars-make-refreshing-summer-treat/>.*

Primary Examiner — Vy N Koenig
(74) *Attorney, Agent, or Firm* — Leydig, Voit & Mayer,
Ltd.

(57) **CLAIM**

The ornamental design for packaging paper, as shown and described.

DESCRIPTION

FIG. 1 is a perspective view of packaging paper showing our new design.

FIG. 2 is a front view thereof.

FIG. 3 is a rear view thereof.

FIG. 4 is a left side view thereof.

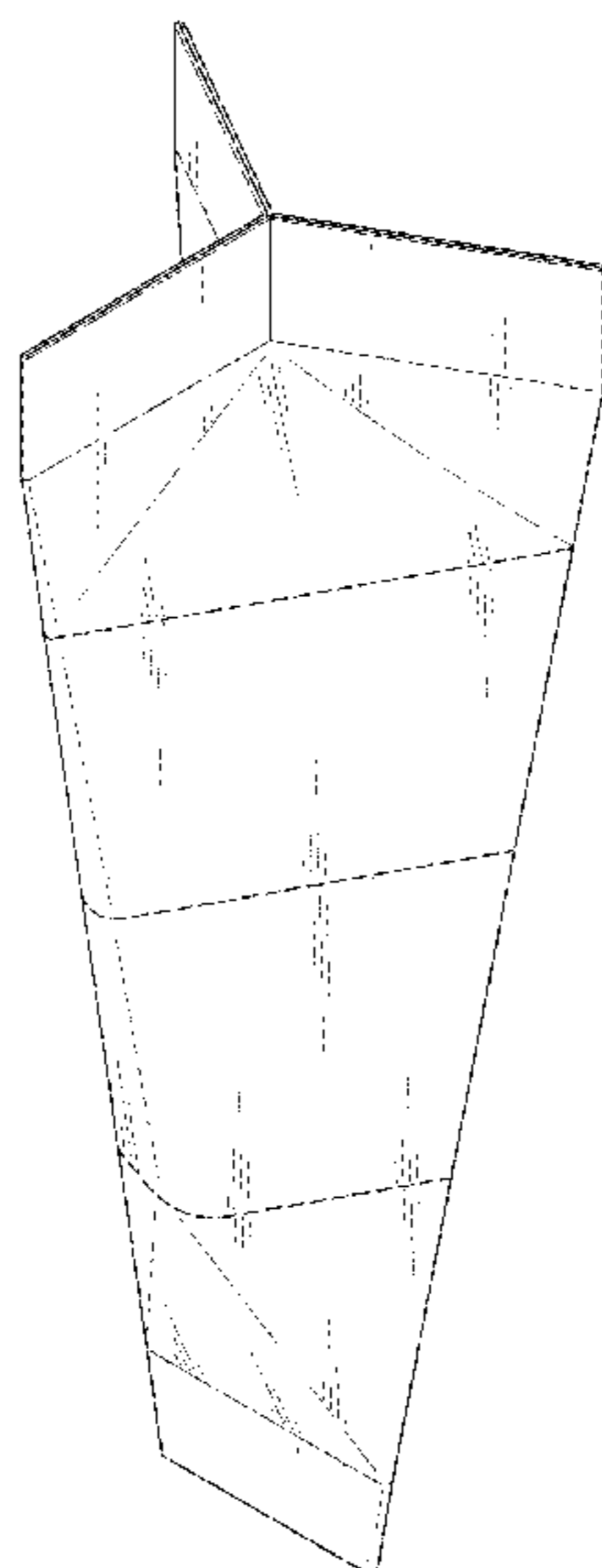
FIG. 5 is a right side view thereof.

FIG. 6 is a top view thereof; and,

FIG. 7 is a bottom view thereof.

The broken lines in the drawings depict perforations that form part of the claimed design.

1 Claim, 6 Drawing Sheets



(56)

References Cited

U.S. PATENT DOCUMENTS

D847,625 S * 5/2019 Bryzek D9/418
10,611,512 B2 * 4/2020 Bayer B65D 5/62

* cited by examiner

FIG. 1

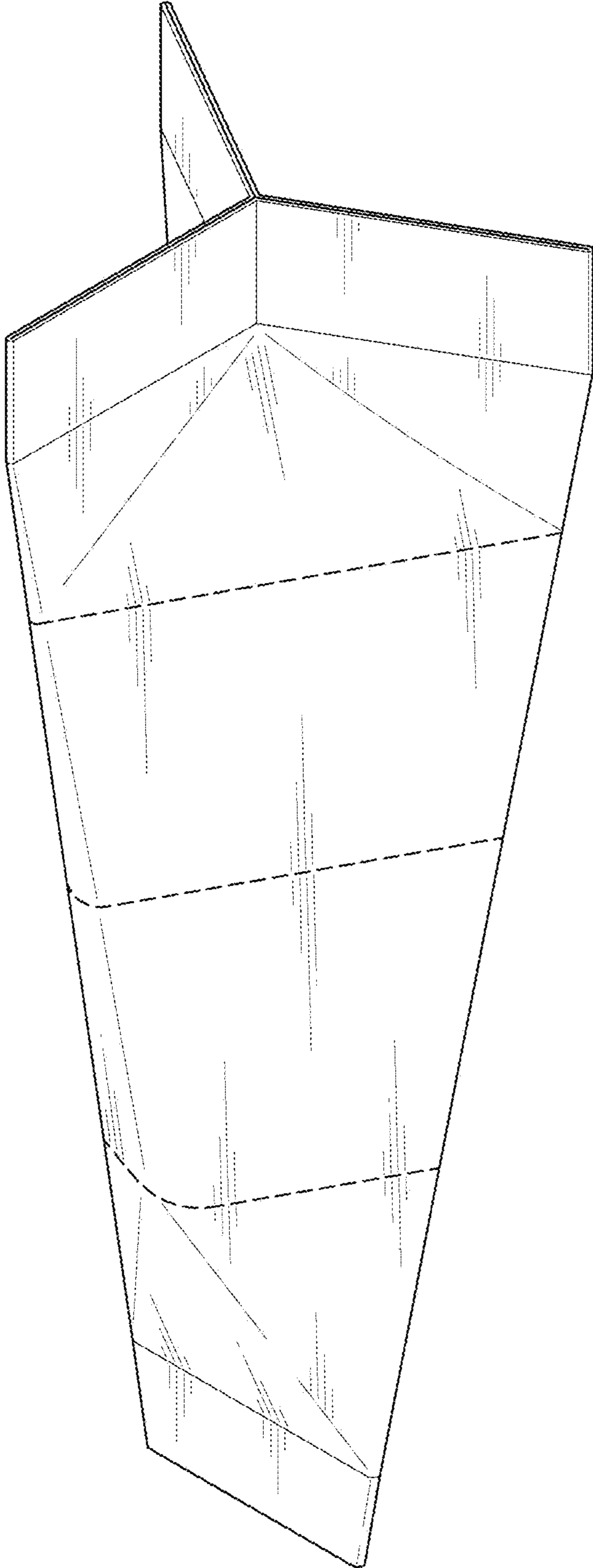


FIG. 2

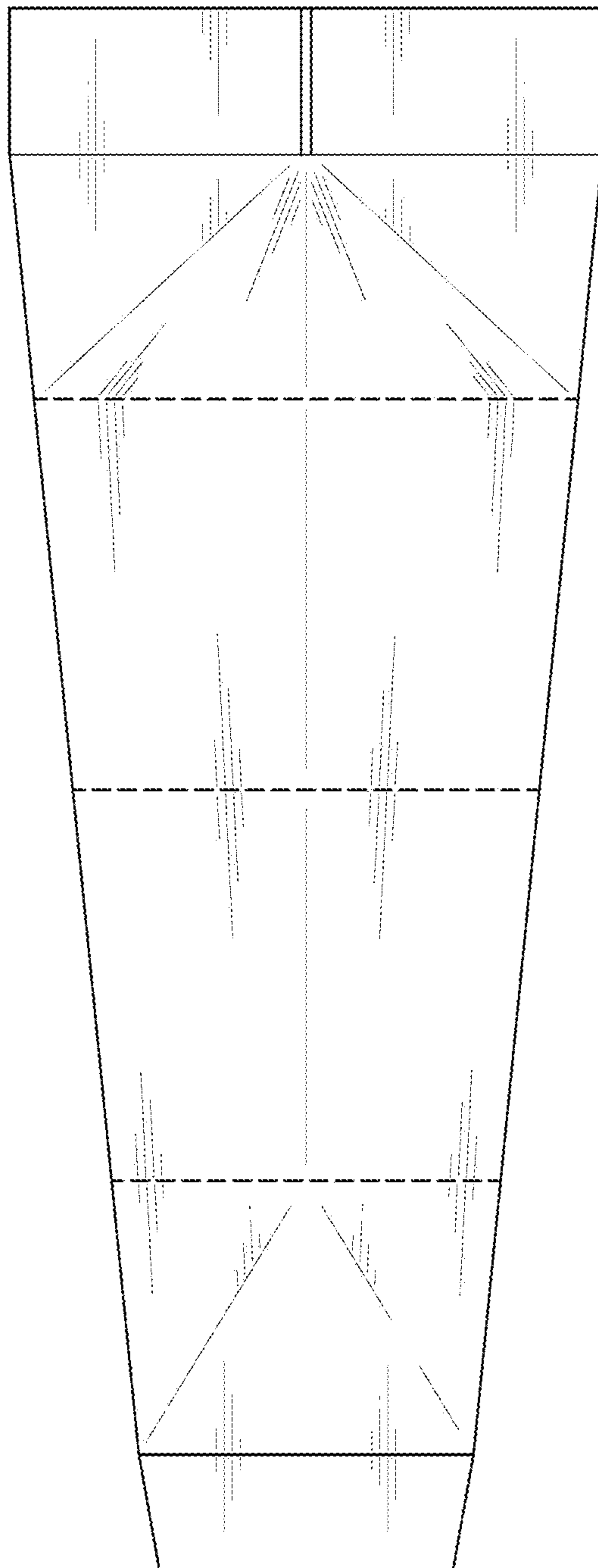


FIG. 3

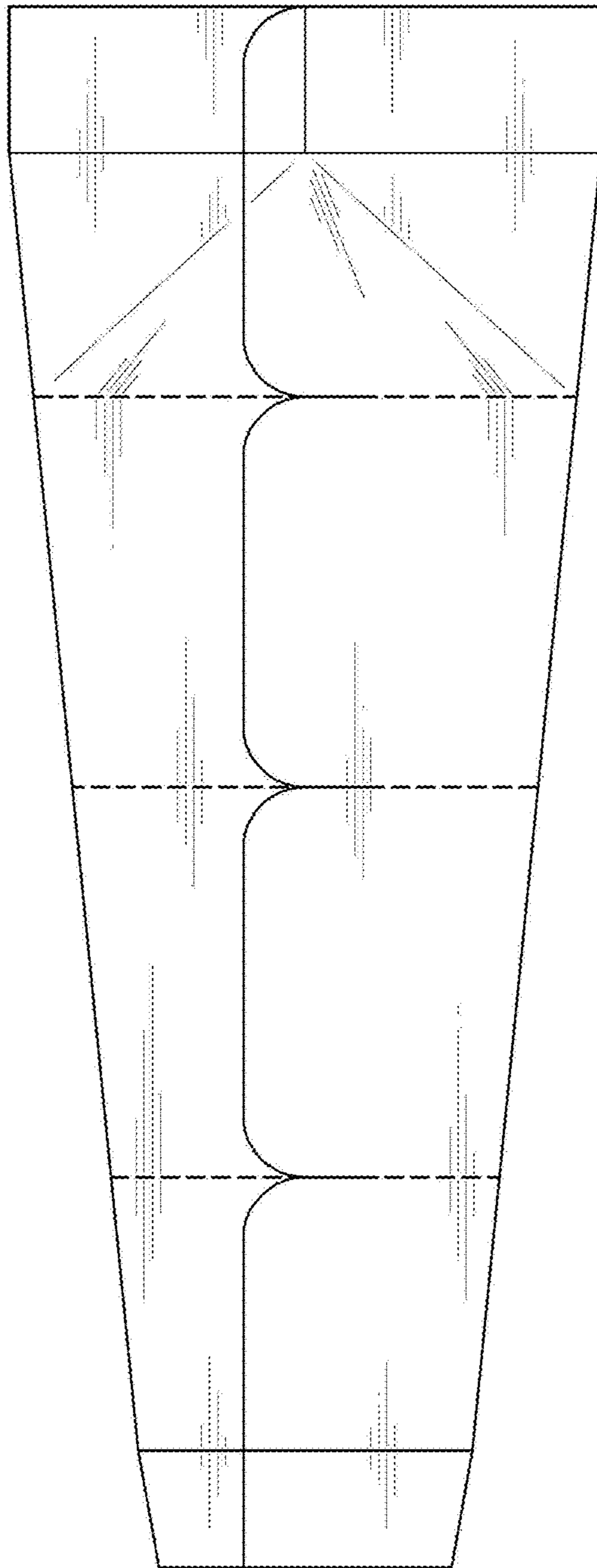


FIG. 4

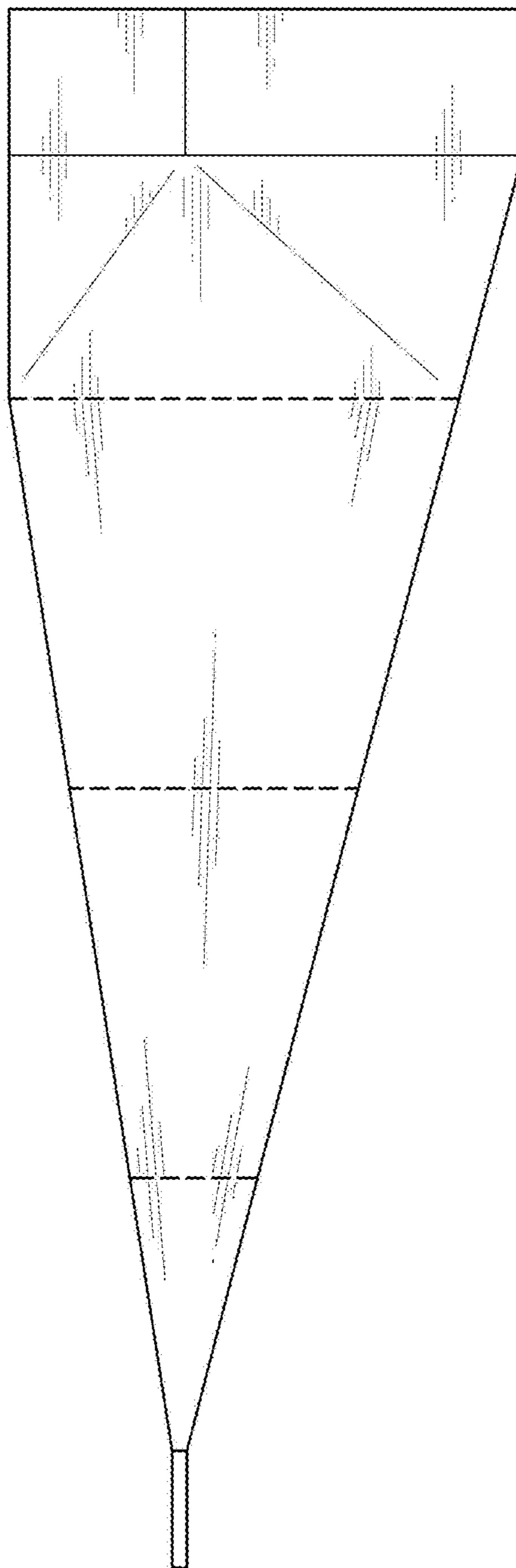


FIG. 5

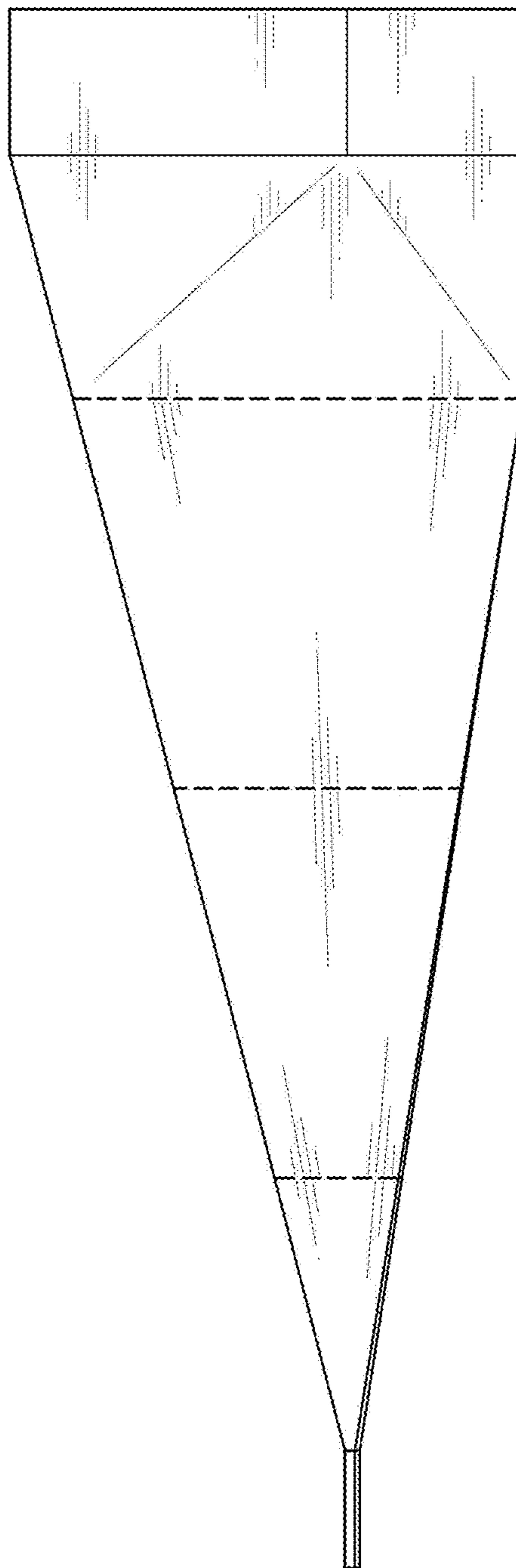


FIG. 6

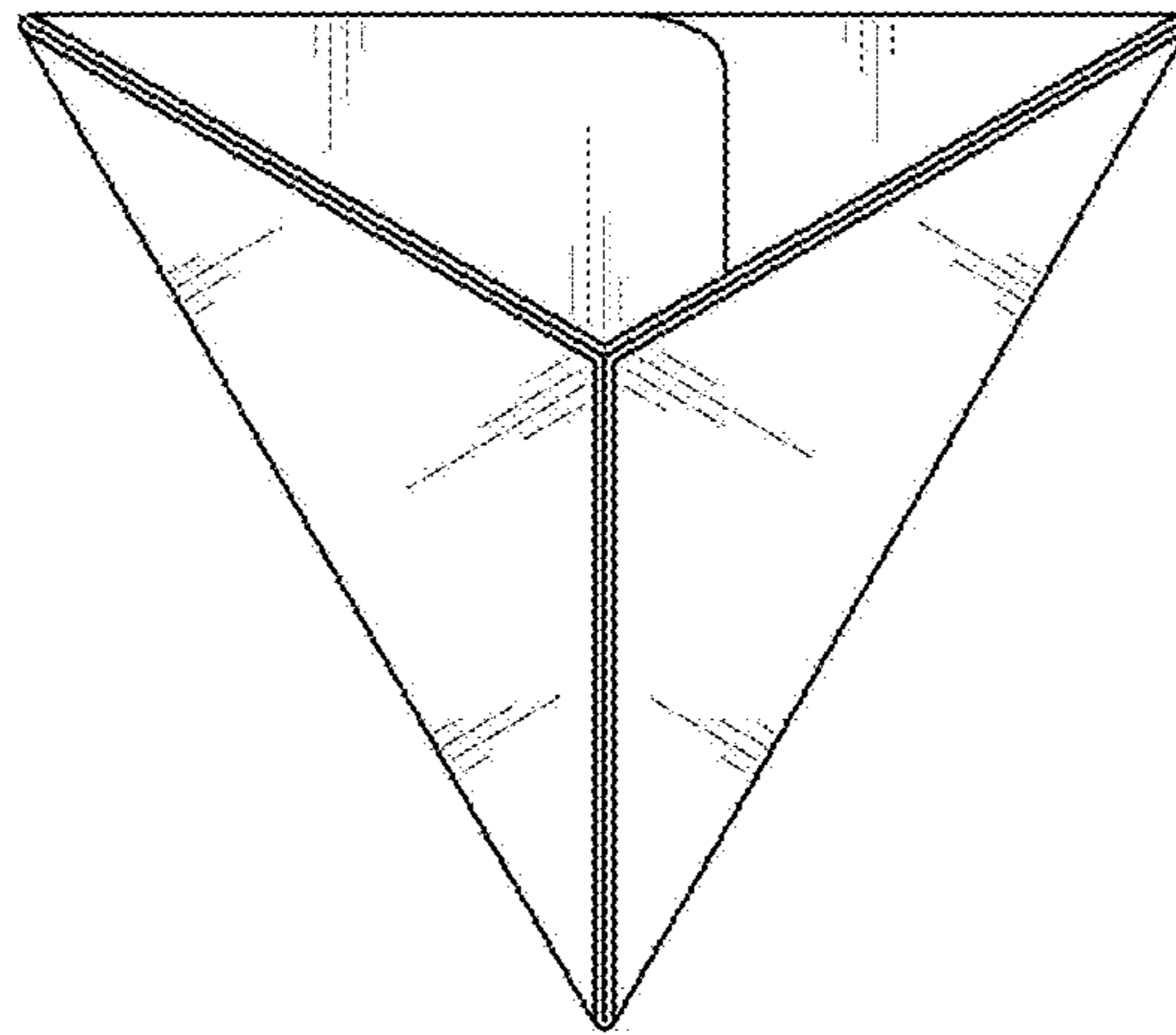


FIG. 7

