



US00D891243S

(12) **United States Design Patent** (10) **Patent No.:** **US D891,243 S**  
**De Geyter et al.** (45) **Date of Patent:** **\*\* Jul. 28, 2020**

(54) **PACKAGE FOR DETERGENT ARTICLE**

FOREIGN PATENT DOCUMENTS

(71) Applicant: **The Procter & Gamble Company**,  
Cincinnati, OH (US)

DE DM87274 8/2015

(72) Inventors: **Raf Gustaaf Alfons De Geyter**,  
Herk-de-Stad (BE); **Vincent Hubert**  
**Monique De Wilde**, Kessel-Lo (BE);  
**Simone Pallotto**, Etterbeek (BE);  
**Thierry Dagnelie**, Waterloo (BE)

OTHER PUBLICATIONS

<https://www.ariel.co.uk/en-gb/shop/type/pods/ariel-3in1-pods-original>.  
U.S. Appl. No. 29/650,371, filed Jun. 6, 2018, Raf Gustaaf Alfons De Geyter.

(73) Assignee: **The Procter & Gamble Company**,  
Cincinnati, OH (US)

*Primary Examiner* — Wan Laymon  
*Assistant Examiner* — Clint A Samuel

(\*\*) Term: **15 Years**

(74) *Attorney, Agent, or Firm* — Gregory S.  
Darley-Emerson

(21) Appl. No.: **29/650,374**

(22) Filed: **Jun. 6, 2018**

(57) **CLAIM**

The ornamental design for a package for detergent article, as shown and described.

(30) **Foreign Application Priority Data**

Feb. 28, 2018 (WO) ..... 6560401

**DESCRIPTION**

(51) **LOC (12) Cl.** ..... **09-03**

(52) **U.S. Cl.**  
USPC ..... **D9/423**

(58) **Field of Classification Search**  
USPC ..... D9/414, 420, 423, 428, 432, 763, 767,  
D9/770, 780; D3/201, 203.5, 900, 901,  
D3/903, 905; D7/601, 602, 900  
CPC ... B65D 1/10; B65D 1/12; B65D 1/14; B65D  
1/15; B65D 1/16; B65D 1/18; B65D  
1/22; B65D 1/165; B65D 25/00; B65D  
43/02; B65D 43/14; B65D 43/162; B65D  
43/163; B65D 43/164; B65D 81/02;  
B65D 81/3813; B65D 21/0234

See application file for complete search history.

FIG. 1 is a perspective view of a package for detergent article;  
FIG. 2 is a front view thereof;  
FIG. 3 is a rear view thereof;  
FIG. 4 is a right side view thereof;  
FIG. 5 is a left side view thereof;  
FIG. 6 is a top plan view thereof;  
FIG. 7 is a bottom view thereof.  
FIG. 8 is a perspective view of a package for detergent article in opened position;  
FIG. 9 is a front view thereof;  
FIG. 10 is a rear view thereof;  
FIG. 11 is a right side view thereof;  
FIG. 12 is a left side view thereof;  
FIG. 13 is a top plan view thereof; and,  
FIG. 14 is a bottom view thereof.

The broken line showing in the drawings is included for the purpose of illustrating unclaimed portions of the package for detergent article and forms no part of the claimed design.

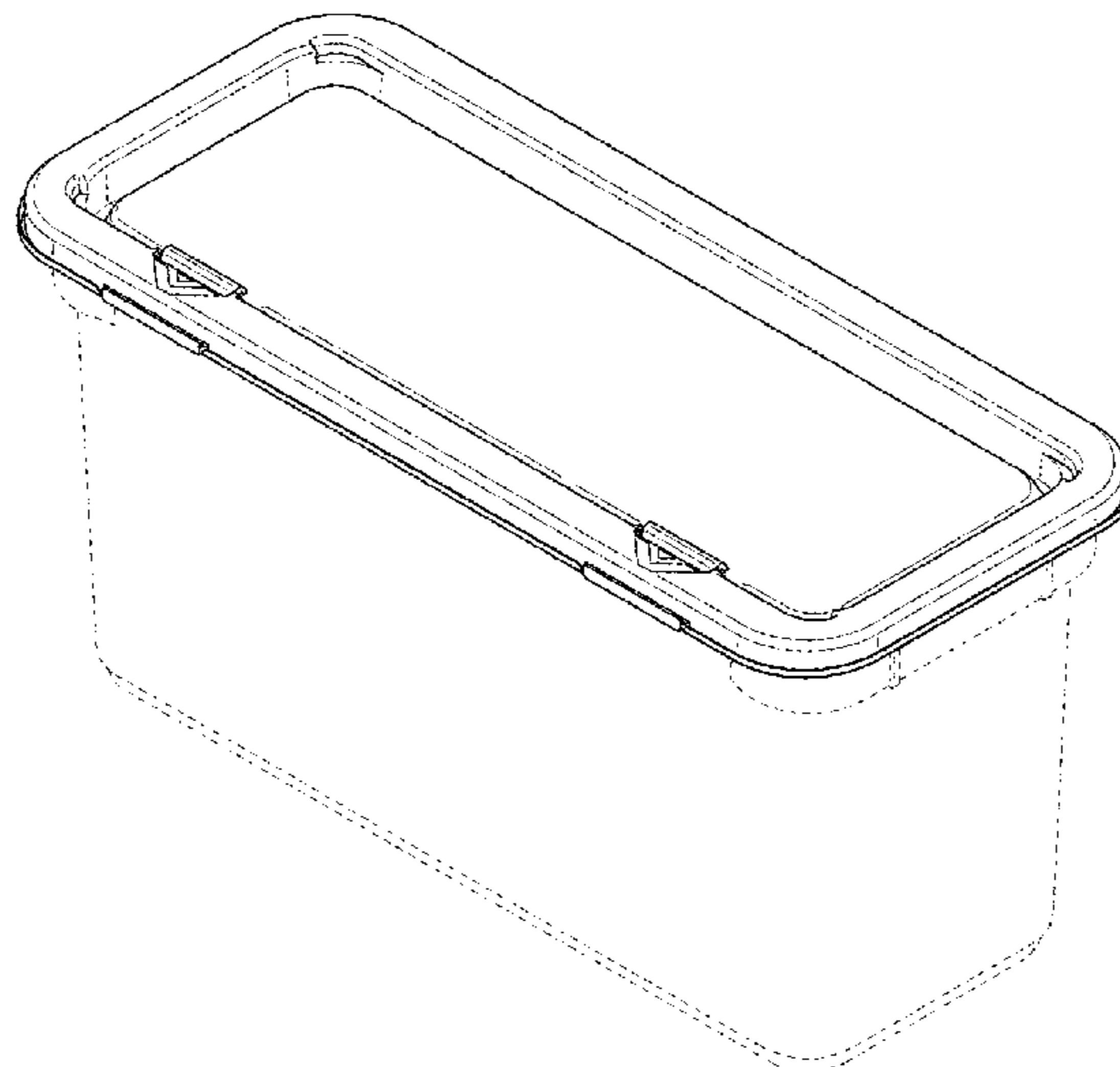
(56) **References Cited**

U.S. PATENT DOCUMENTS

D285,906 S \* 9/1986 Tyler ..... D9/425  
D330,161 S \* 10/1992 Schuh ..... D9/423

(Continued)

**1 Claim, 14 Drawing Sheets**



(56)

**References Cited**

U.S. PATENT DOCUMENTS

D416,794 S \* 11/1999 Cormack ..... D9/423  
D421,901 S \* 3/2000 Hill ..... D9/423  
6,609,633 B1 \* 8/2003 Dyble ..... B65D 43/164  
220/4.23  
D664,425 S \* 7/2012 Krupa ..... D9/420  
D694,062 S 11/2013 Andres et al.  
D694,575 S 12/2013 Andres et al.  
D694,616 S \* 12/2013 Prevost ..... D9/420  
D696,559 S \* 12/2013 Song ..... D7/629  
D712,703 S \* 9/2014 Lipinski ..... D7/602  
D745,826 S 12/2015 De Tavares Duarte Nogueira  
D766,715 S \* 9/2016 Buck ..... D9/432  
D812,896 S \* 3/2018 Hutzler ..... D3/203.1  
D826,039 S \* 8/2018 Vialle ..... D9/423  
D835,984 S \* 12/2018 Perry ..... D9/420

\* cited by examiner

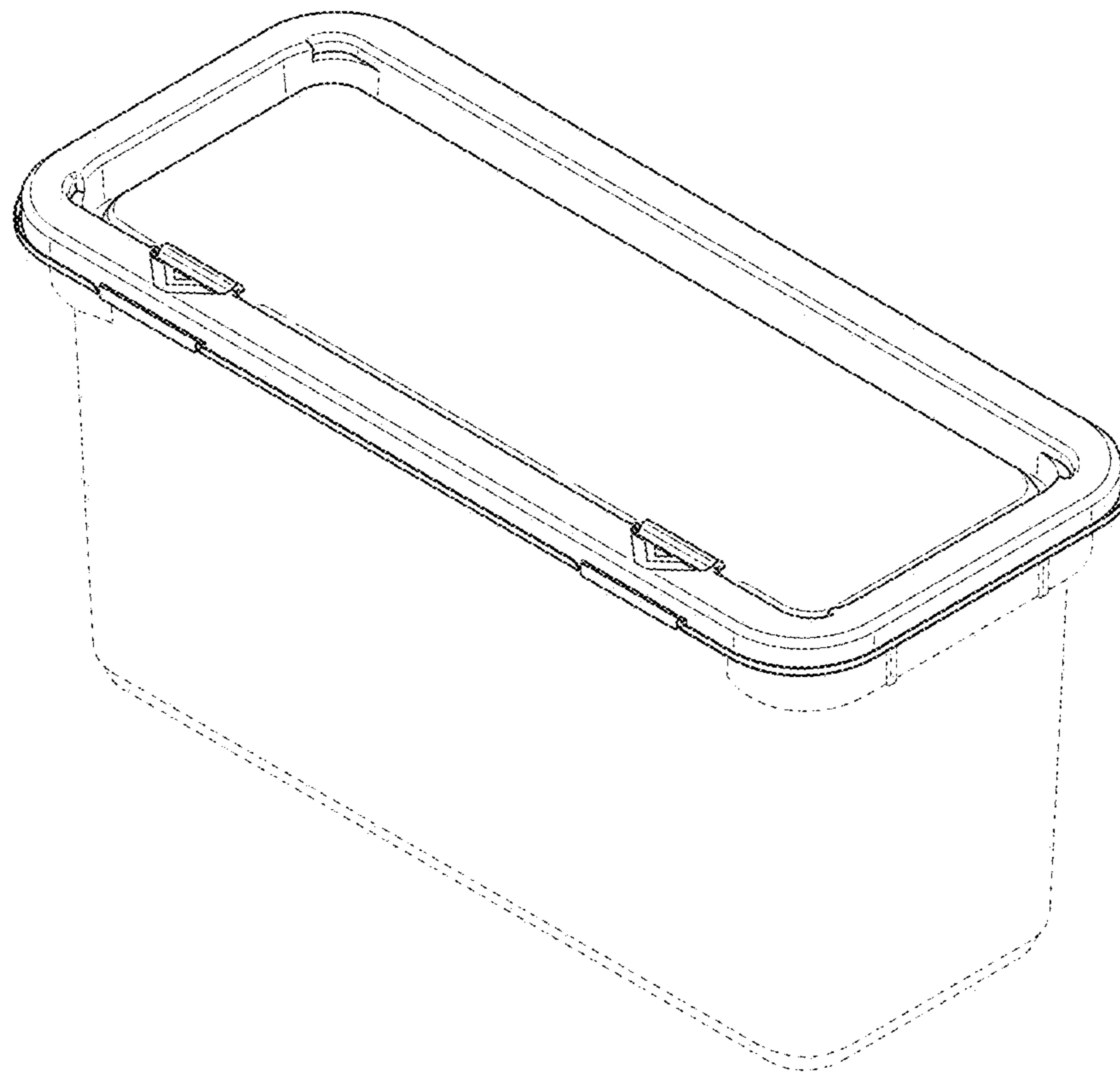


Fig. 1

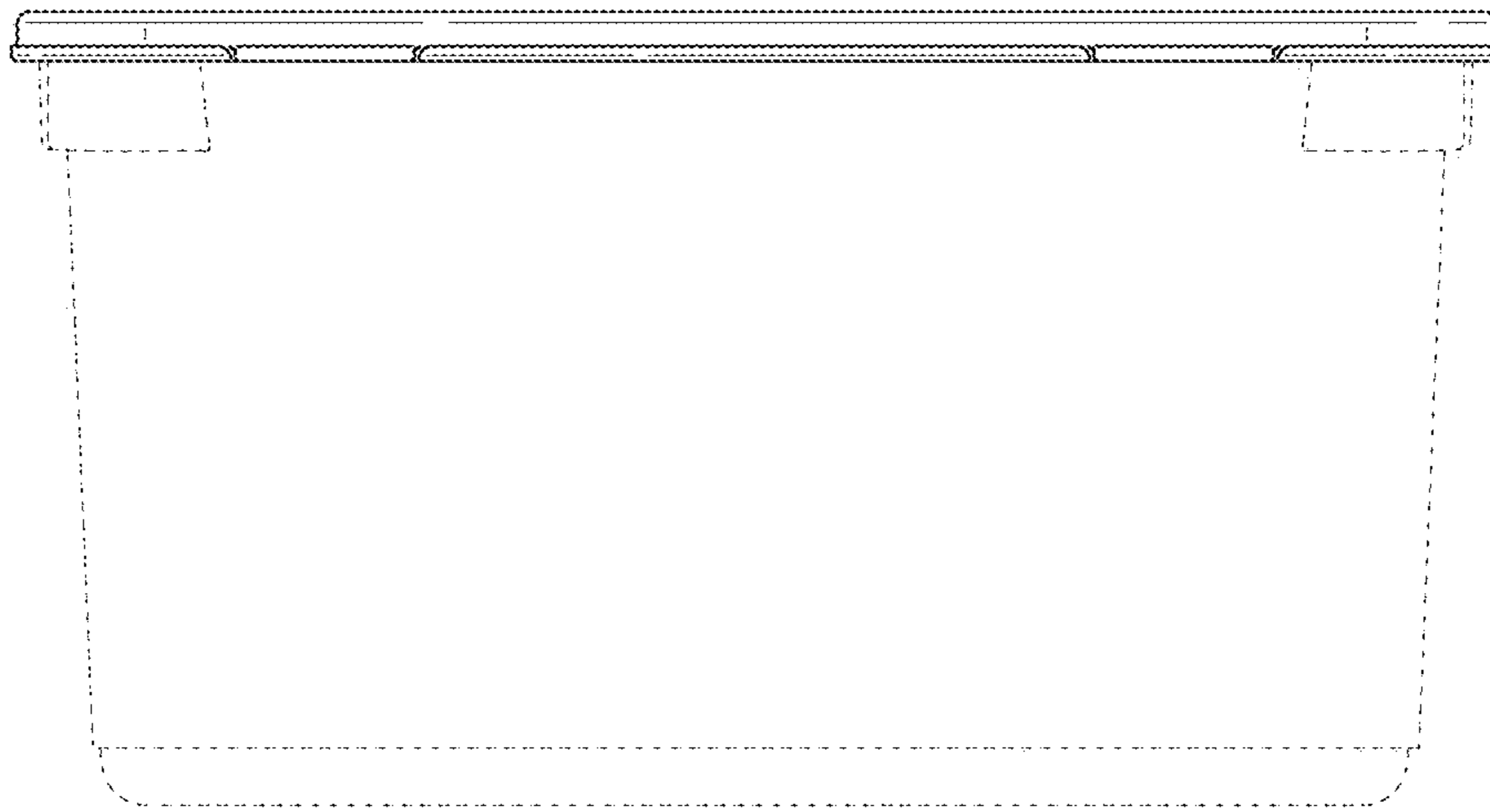


Fig. 2

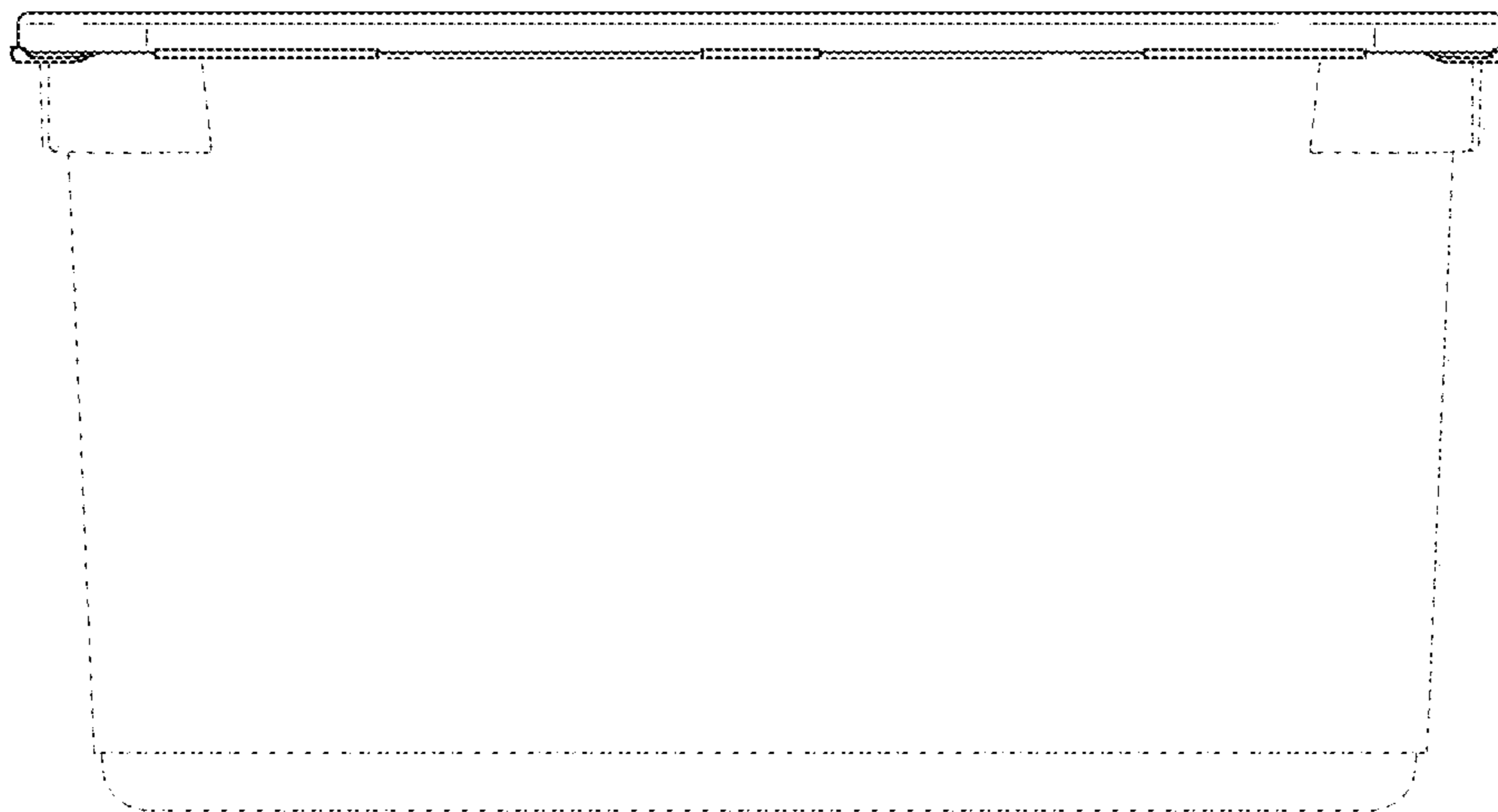


Fig. 3

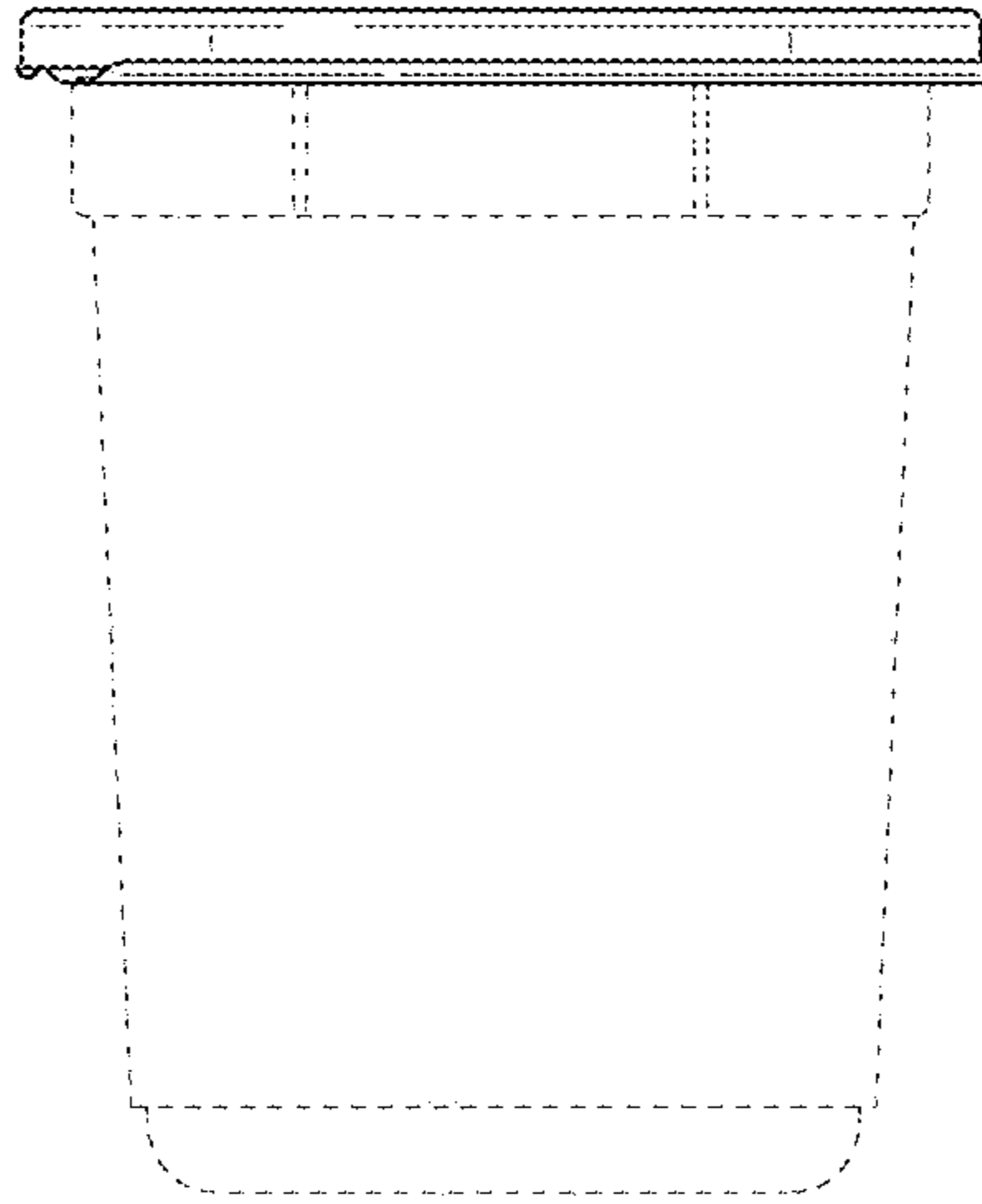


Fig. 4

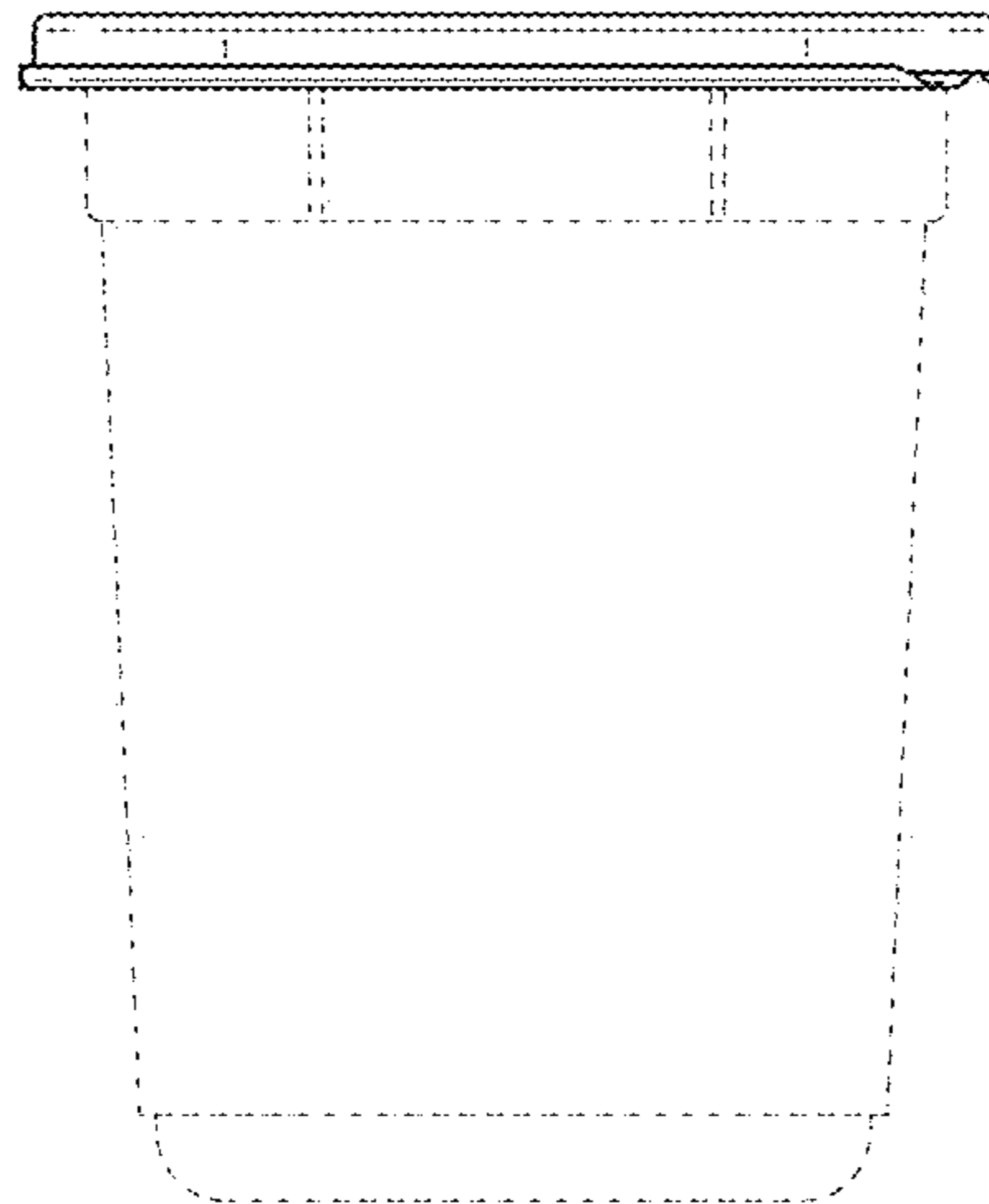


Fig. 5

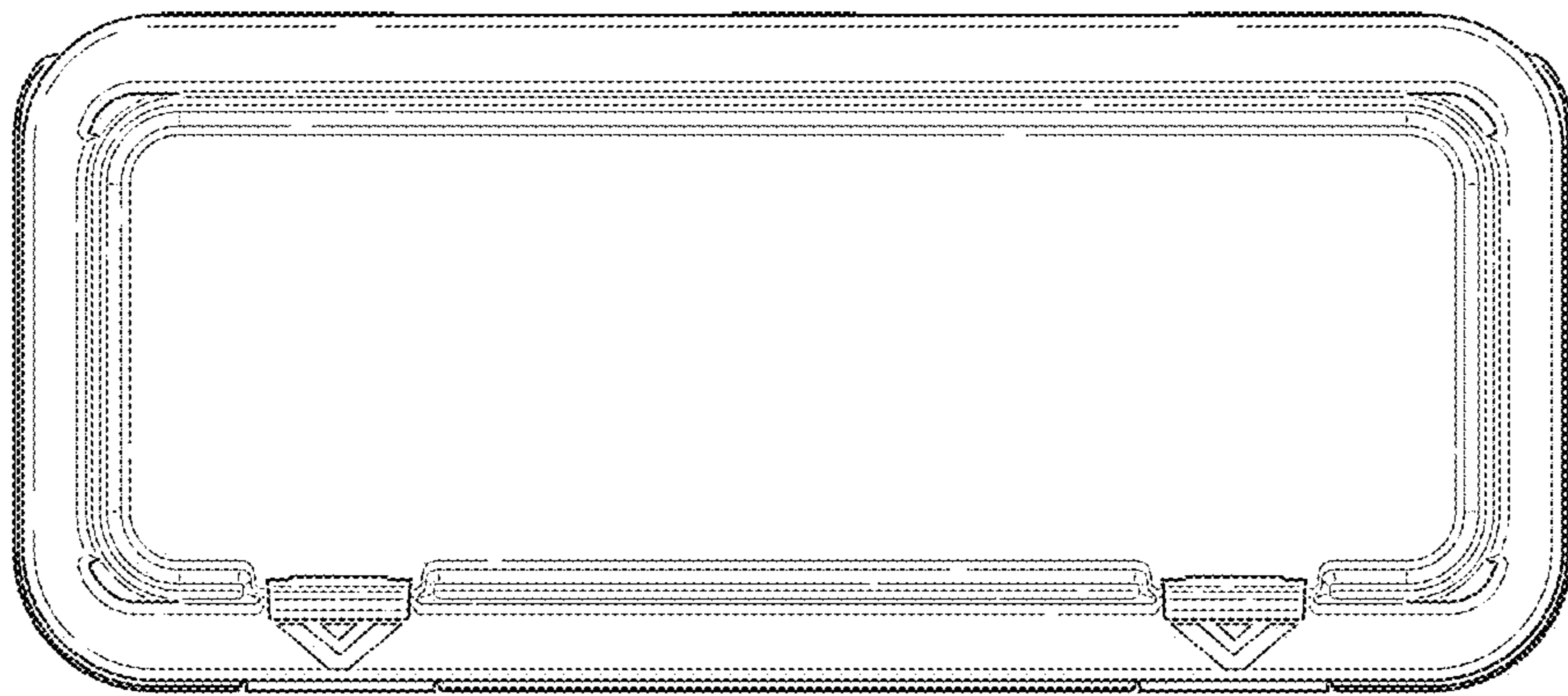


Fig. 6



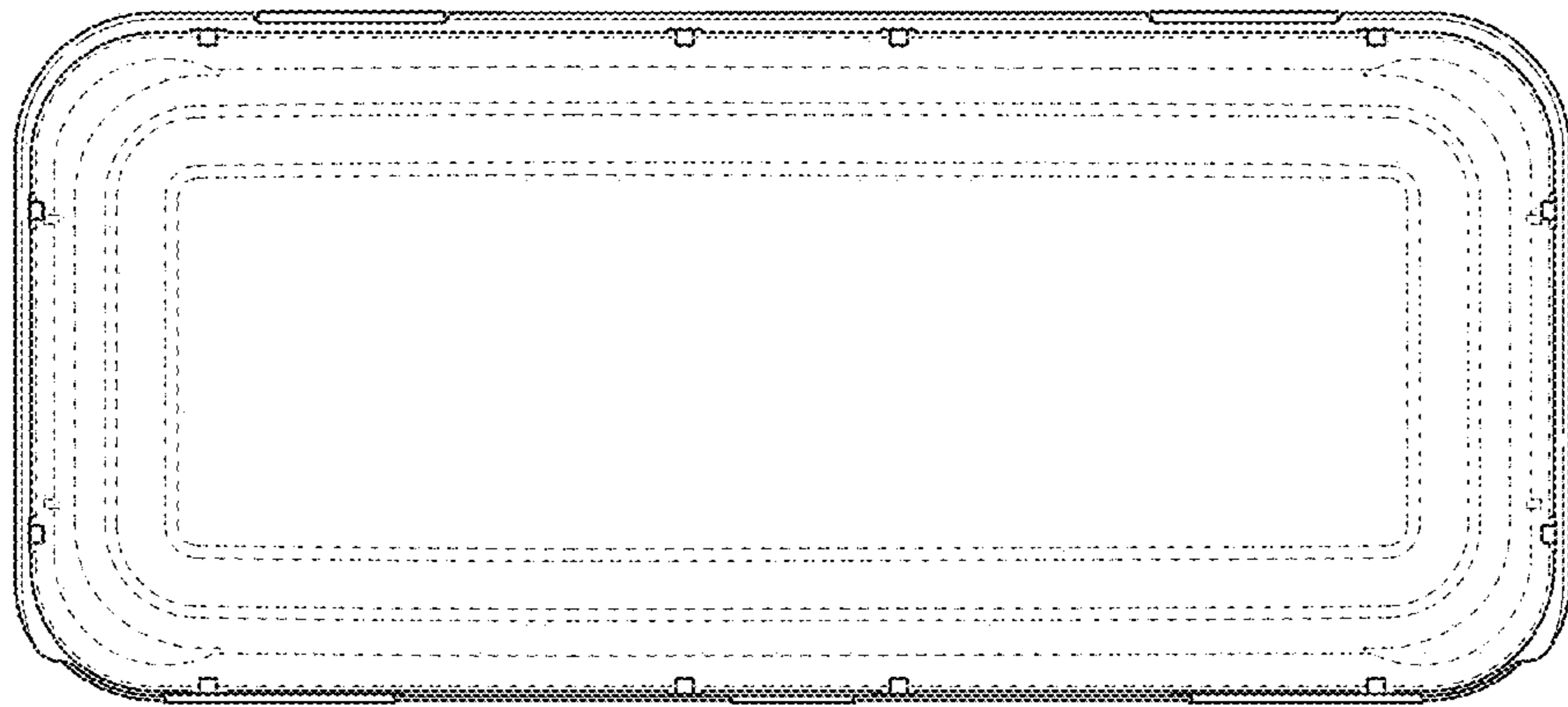


Fig. 7

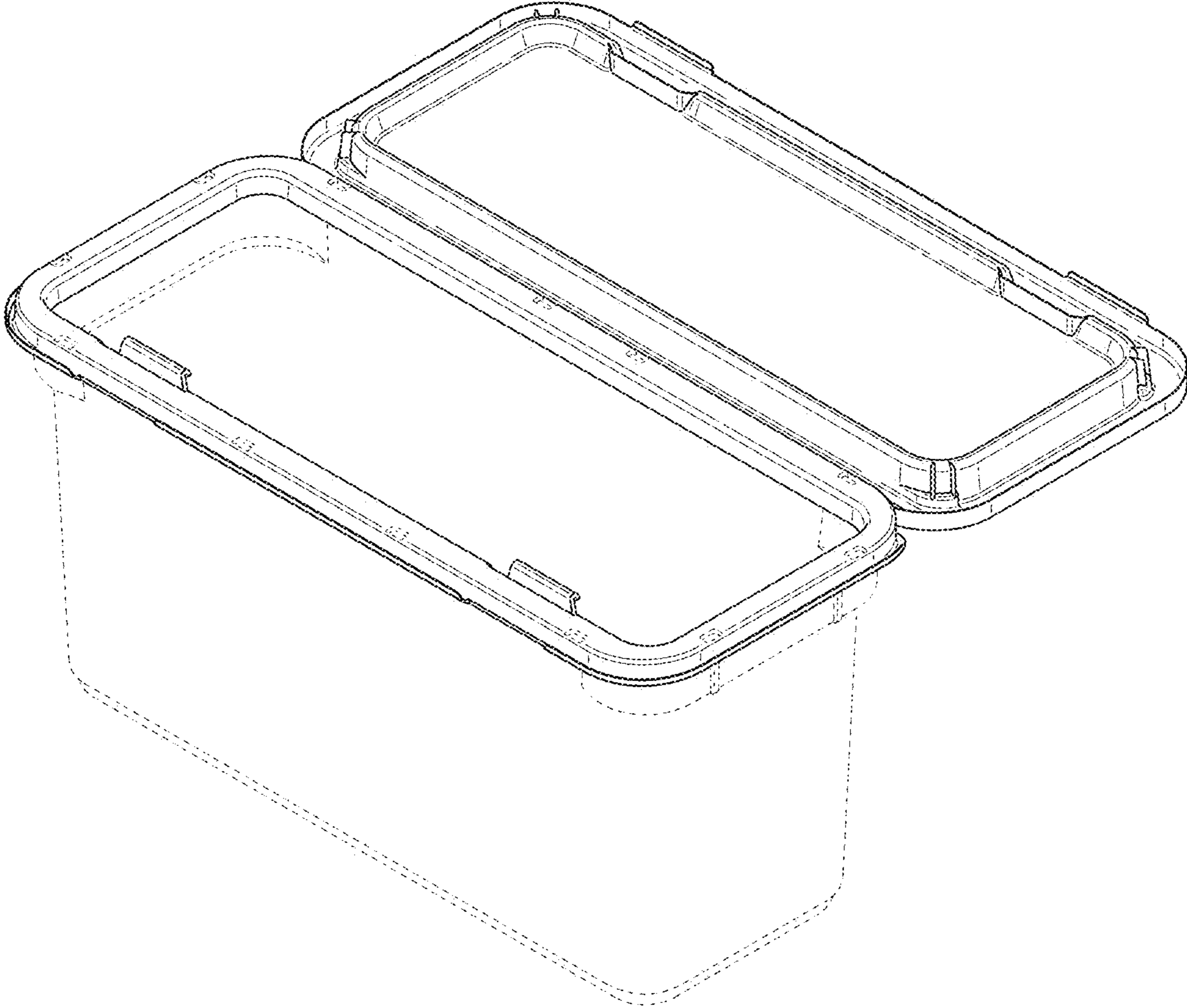


Fig. 8

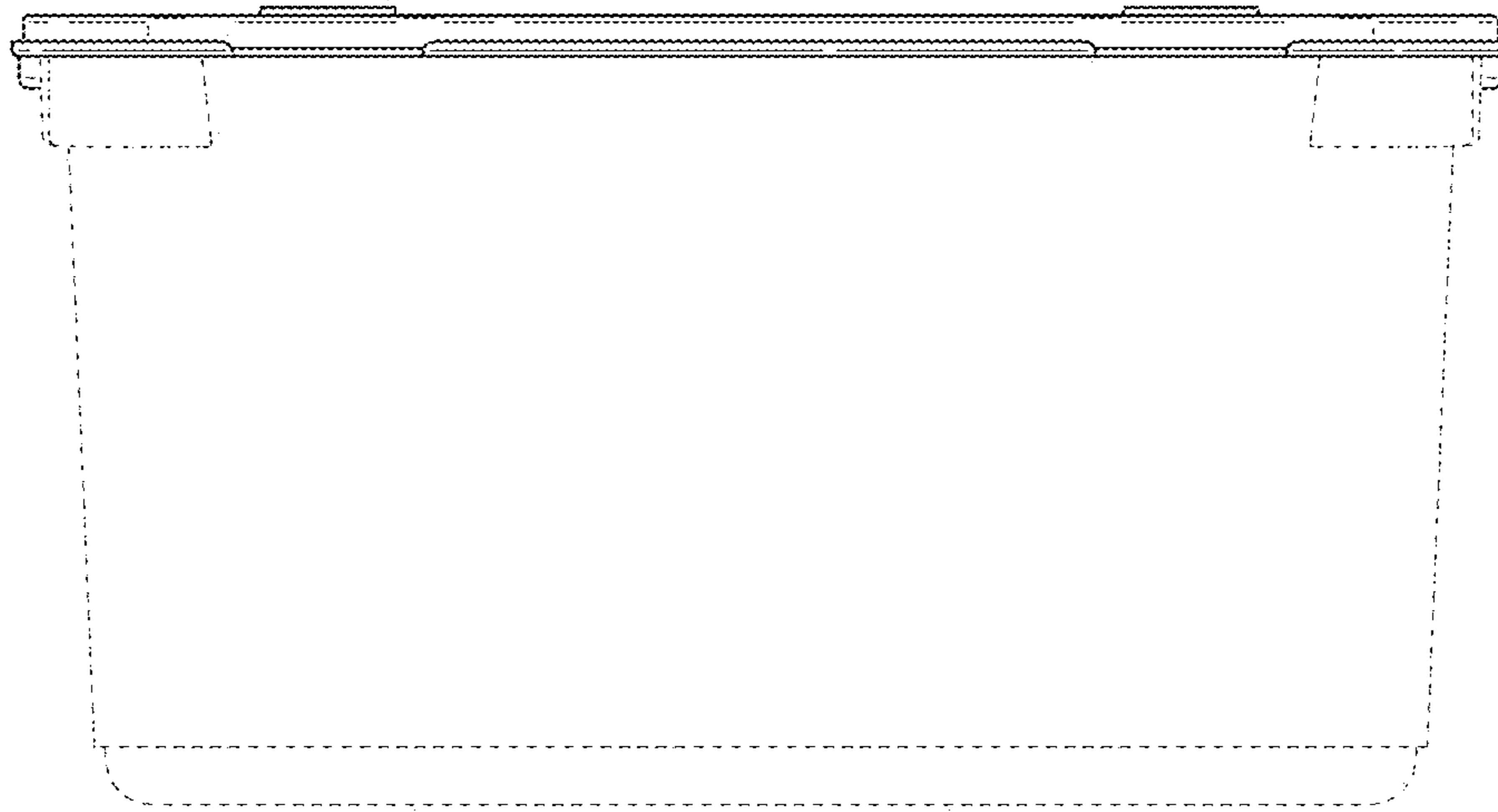


Fig. 9

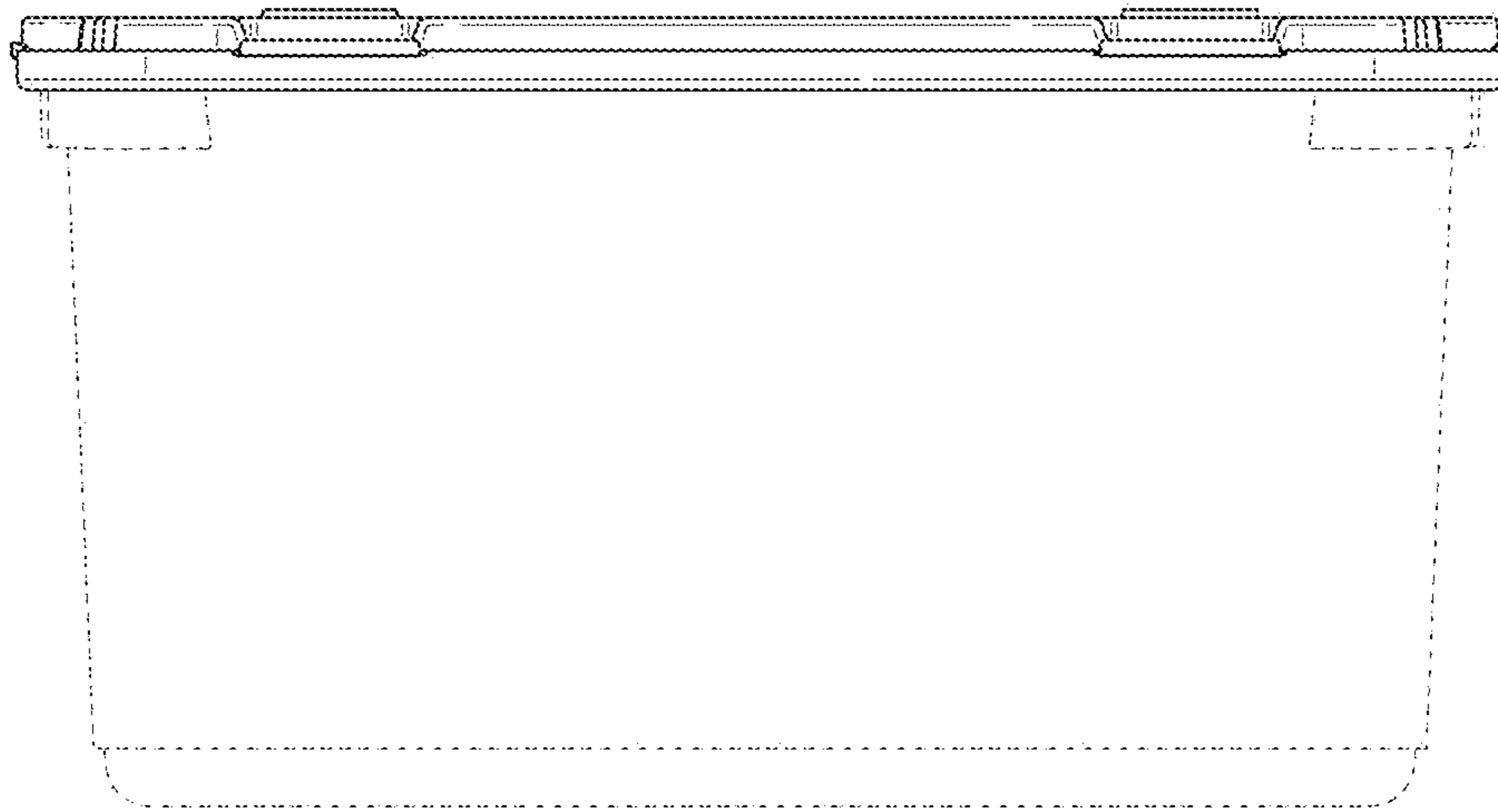


Fig. 10

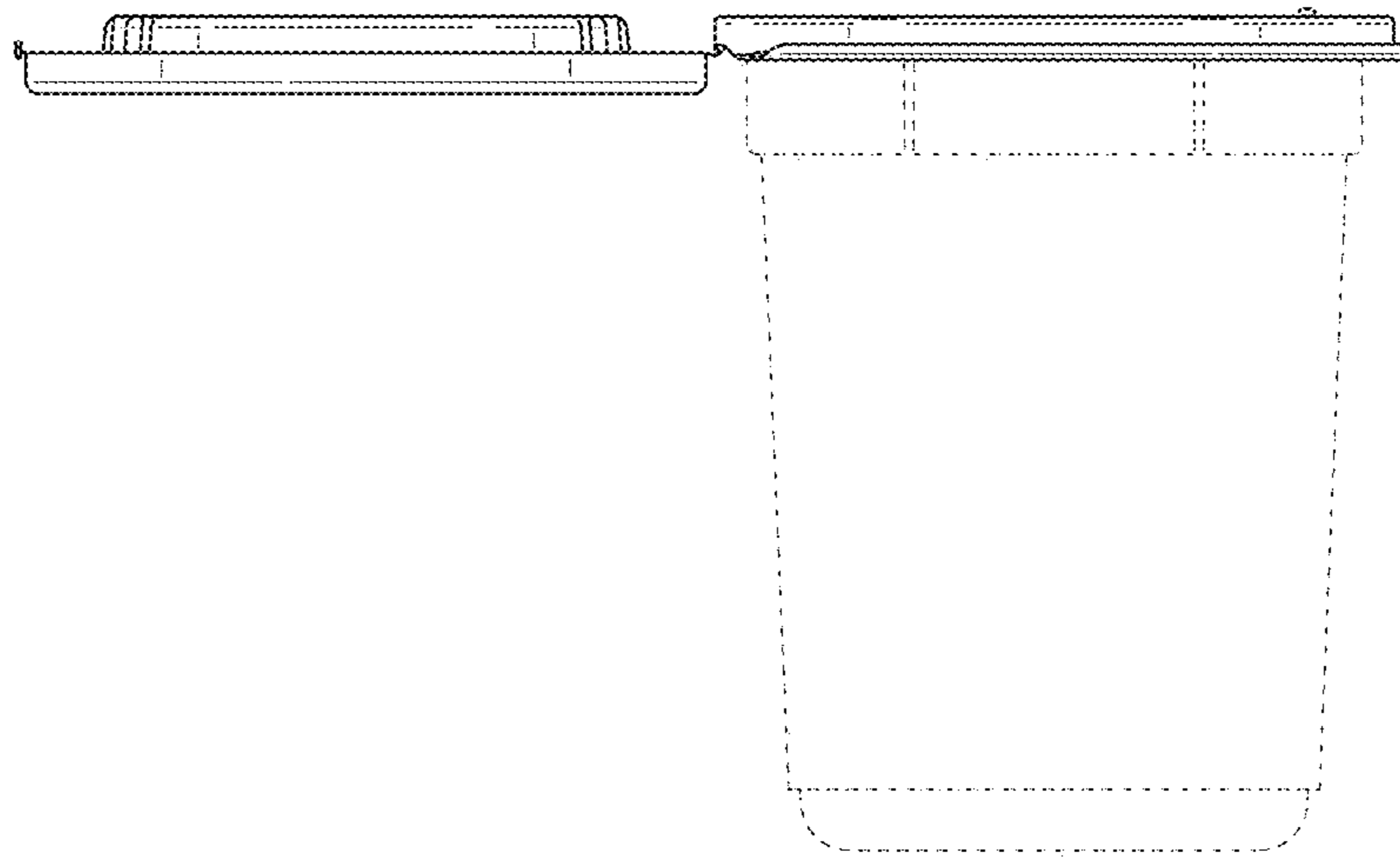


Fig. 11

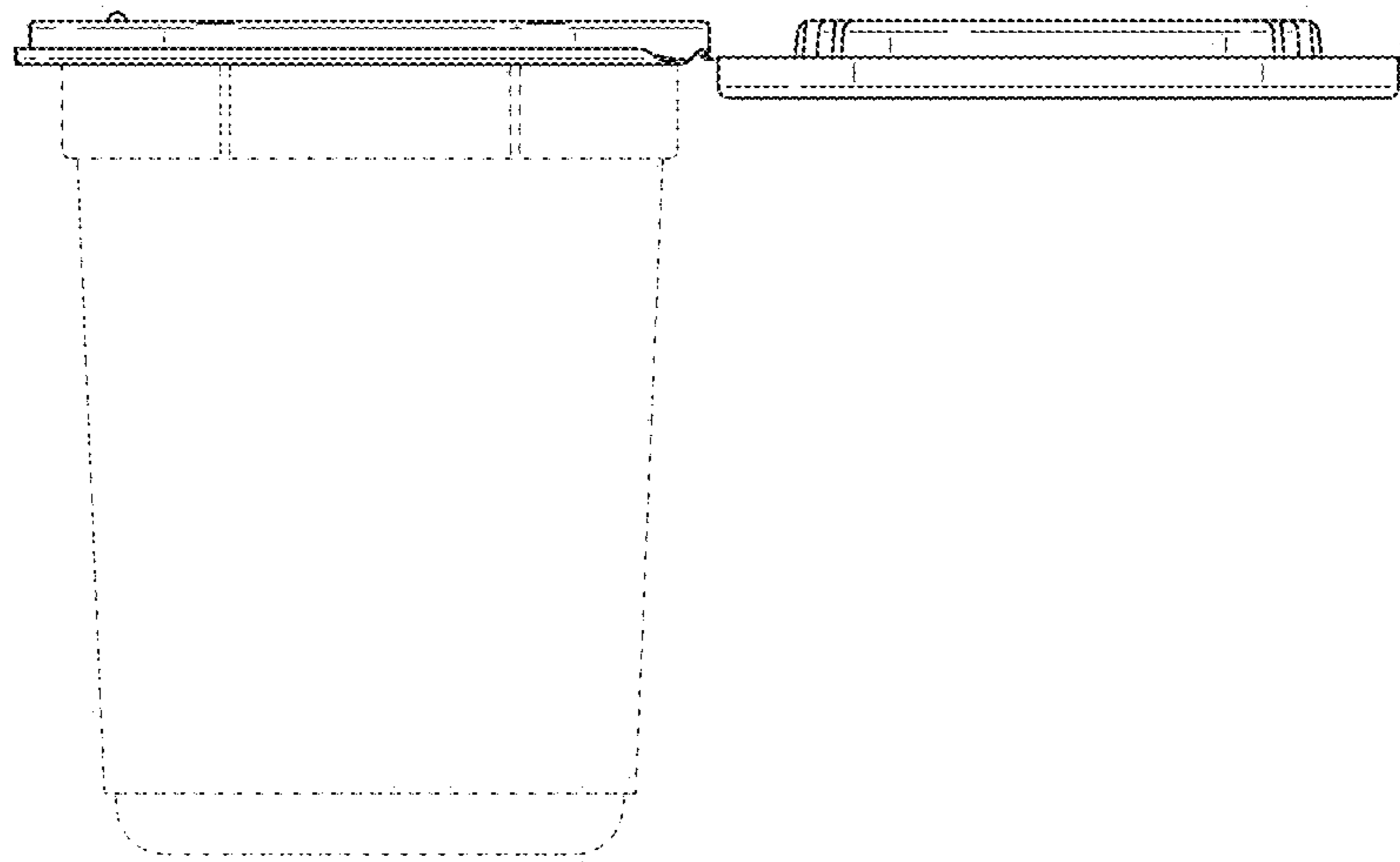


Fig. 12

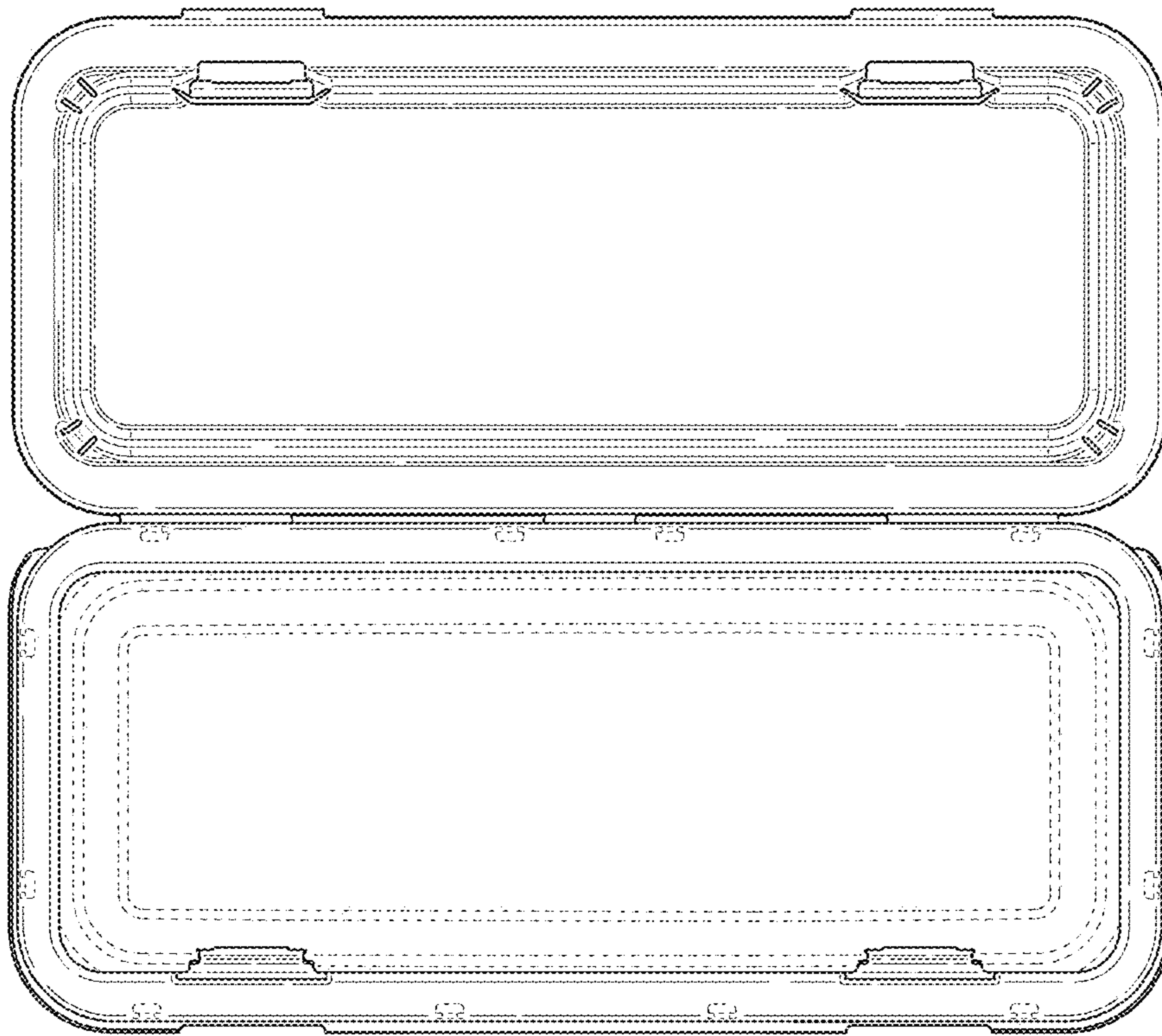


Fig. 13

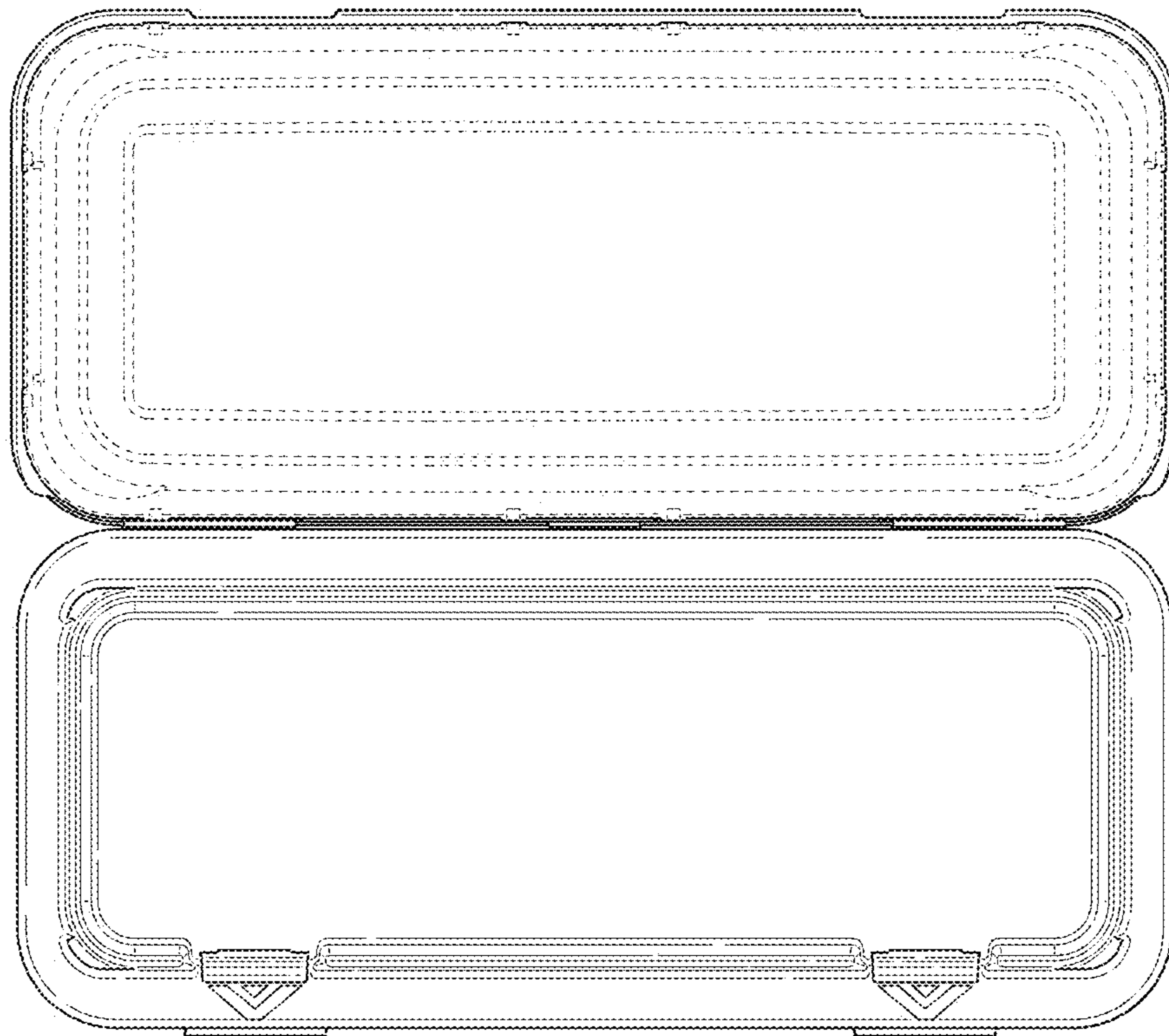


Fig. 14