



US00D891242S

(12) **United States Design Patent**
McGregor et al.

(10) **Patent No.:** **US D891,242 S**

(45) **Date of Patent:** **** Jul. 28, 2020**

(54) **WINDOW STAY**

Primary Examiner — John Windmuller

(74) *Attorney, Agent, or Firm* — Sheridan Ross P.C.

(71) Applicant: **ASSA ABLOY New Zealand Limited**,
North Shore (NZ)

(72) Inventors: **Duncan Duff McGregor**, Auckland
(NZ); **Bryce Alan Molloy**, Auckland
(NZ)

(57) **CLAIM**

The ornamental design for a window stay, as shown and described.

(73) Assignee: **ASSA ABLOY New Zealand Limited**,
North Shore (NZ)

(**) Term: **15 Years**

DESCRIPTION

(21) Appl. No.: **29/645,561**

(22) Filed: **Apr. 27, 2018**

(30) **Foreign Application Priority Data**

Oct. 27, 2017 (NZ) 423642

(51) **LOC (12) Cl.** **08-08**

(52) **U.S. Cl.**
USPC **D8/400**

(58) **Field of Classification Search**
USPC D8/354, 355, 373, 377, 380, 381, 400,
D8/402, 499
CPC E05C 17/34; E05C 17/04; E05C 17/32;
E05F 5/06; E05F 11/16; E05D 15/46
See application file for complete search history.

(56) **References Cited**

U.S. PATENT DOCUMENTS

1,614,166 A * 1/1927 Whitney E05D 15/30
16/337
3,117,351 A * 1/1964 Ahlgren E05F 11/10
49/252

(Continued)

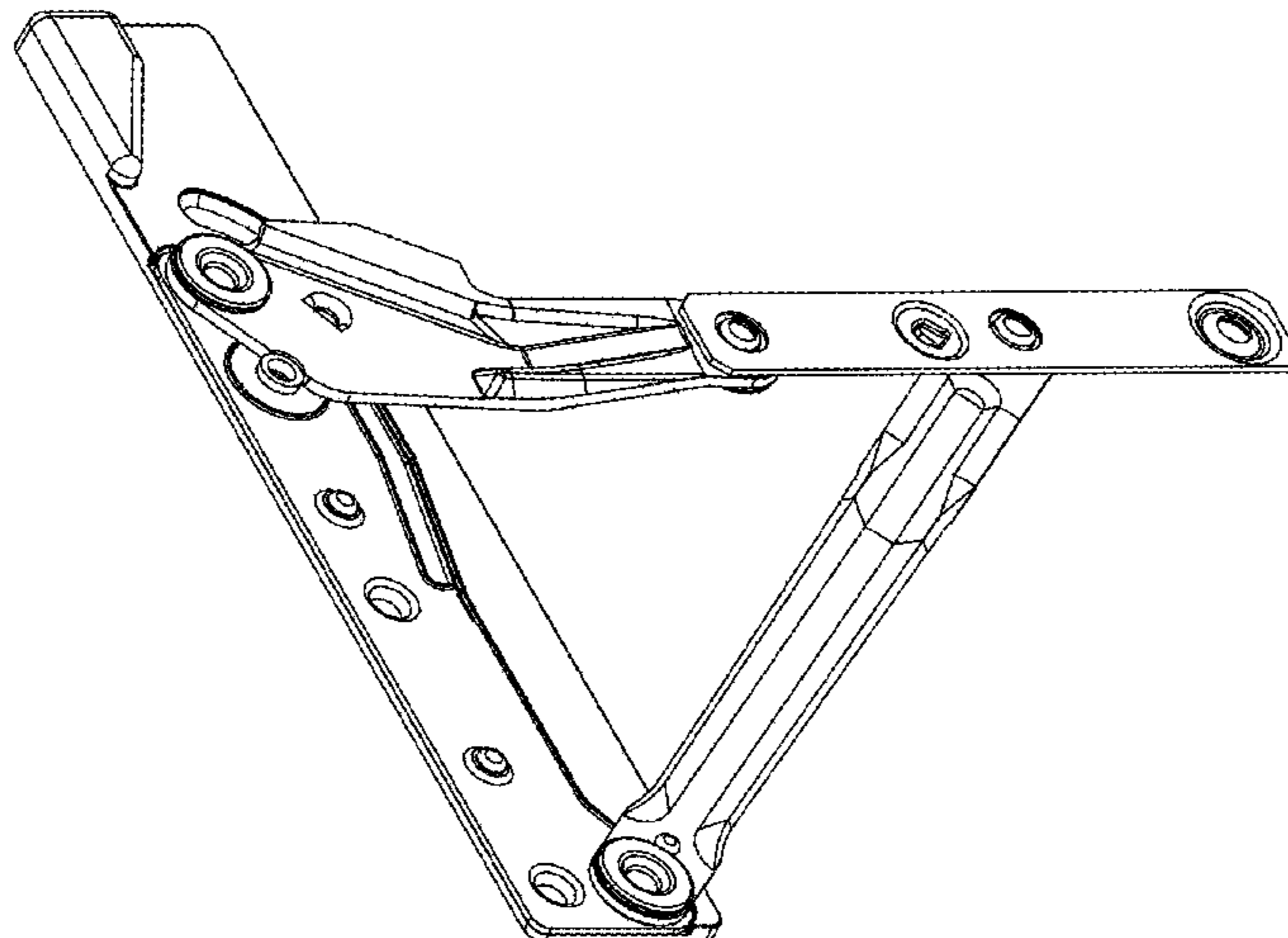
FOREIGN PATENT DOCUMENTS

AU 198932784 4/1988
AU 2009240862 5/2016

(Continued)

FIG. 1 is a perspective view of a window stay in a retracted position;
FIG. 2 is a front view of the window stay of FIG. 1 in a retracted position;
FIG. 3 is a back view of the window stay of FIG. 1 in a retracted position;
FIG. 4 is a right view of the window stay of FIG. 1 in a retracted position;
FIG. 5 is a left view of the window stay of FIG. 1 in a retracted position;
FIG. 6 is a bottom view of the window stay of FIG. 1 in a retracted position;
FIG. 7 is a top view of the window stay of FIG. 1 in a retracted position;
FIG. 8 is a perspective view of the window stay of FIG. 1 in an extended position;
FIG. 9 is a back view of the window stay of FIG. 8 in an extended position;
FIG. 10 is a front view of the window stay of FIG. 9 in an extended position;
FIG. 11 is a right view of the window stay of FIG. 9 in an extended position;
FIG. 12 is a left view of the window stay of FIG. 9 in an extended position;
FIG. 13 is a top view of the window stay of FIG. 9 in an extended position; and,
FIG. 14 is a bottom view of the window stay of FIG. 9 in an extended position.

1 Claim, 14 Drawing Sheets



(56)

References Cited

U.S. PATENT DOCUMENTS

3,345,777 A * 10/1967 Anderberg E05D 15/28
49/248
3,838,537 A 10/1974 Stavenau et al.
4,364,201 A * 12/1982 Taylor E05D 15/44
16/341
4,455,710 A * 6/1984 Johansen E05D 15/30
16/221
4,555,829 A * 12/1985 Davis E05D 15/44
16/342
4,833,754 A * 5/1989 Yang E05D 15/30
16/337
4,897,004 A 1/1990 Norton
4,980,947 A * 1/1991 McQuigge E05D 15/30
16/235
5,090,754 A 2/1992 Thompson
5,152,102 A * 10/1992 La See E05D 7/0054
16/235
5,210,908 A 5/1993 Bucher
5,255,471 A * 10/1993 Shaw E05B 63/0052
16/370
5,509,177 A 4/1996 Hinden et al.
D376,098 S * 12/1996 Bucher D8/400
5,702,660 A 12/1997 Allott et al.
5,711,052 A * 1/1998 Delaske E05D 15/30
16/245
6,138,325 A 10/2000 Figliola et al.
D459,208 S * 6/2002 Figliola D8/402
6,442,898 B1 * 9/2002 Wu E05D 15/44
49/246
D559,096 S * 1/2008 Hori D8/400
D559,097 S * 1/2008 Hori D8/400
7,506,851 B1 * 3/2009 Tooze F24D 19/02
165/67
8,858,854 B2 10/2014 Oin
2001/0013202 A1 * 8/2001 Nakanishi E05D 15/30
49/250
2003/0046794 A1 * 3/2003 Muir E05D 15/44
16/366
2003/0046795 A1 * 3/2003 Muir E05D 15/44
16/366

2003/0150084 A1 * 8/2003 Muir E05D 15/44
16/366
2005/0011049 A1 * 1/2005 Muir E05D 15/30
16/366
2006/0265957 A1 * 11/2006 Muir E05D 15/30
49/345
2010/0000051 A1 1/2010 La See
2011/0250377 A1 10/2011 Qin
2019/0360244 A1 * 11/2019 McGregor E05C 17/34
2019/0368253 A1 * 12/2019 McGregor E05D 15/466

FOREIGN PATENT DOCUMENTS

CN 201214932 4/2009
CN 103485623 1/2014
CN 105221537 1/2016
CN 104190840 7/2016
CN 104265102 9/2016
CN 106382062 2/2017
CN 106545235 3/2017
CN 106639693 5/2017
CN 206174715 5/2017
CN 206220711 6/2017
CN 107060542 8/2017
EP 02077612 1/1987
EP 1462596 9/2004
GB 276842 9/1927
GB 2184778 7/1987
GB 2217778 11/1989
GB 2236801 4/1991
GB 2236802 4/1991
GB 2276203 10/1996
GB 2337951 12/1999
GB 2509632 9/2014
JP H06-221051 8/1994
JP 3180477 12/2012
RU 2229629 5/2004
WO WO 1994/021879 9/1994
WO WO 96/010680 4/1996
WO WO 2004/067248 8/2004
WO WO 2012/050929 4/2012
WO WO 2015/009166 1/2015
WO WO 2017/046434 3/2017

* cited by examiner

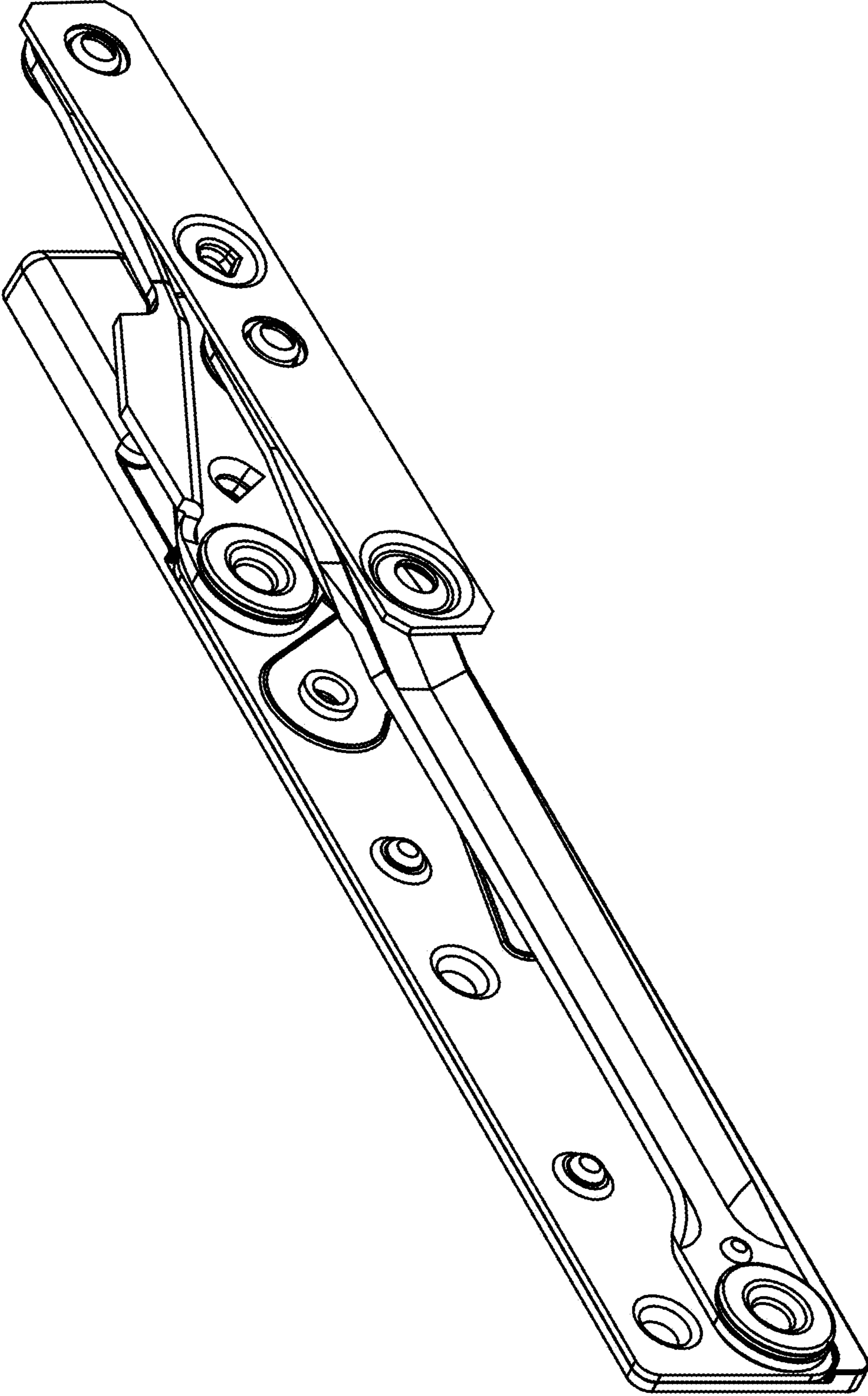


FIG. 1

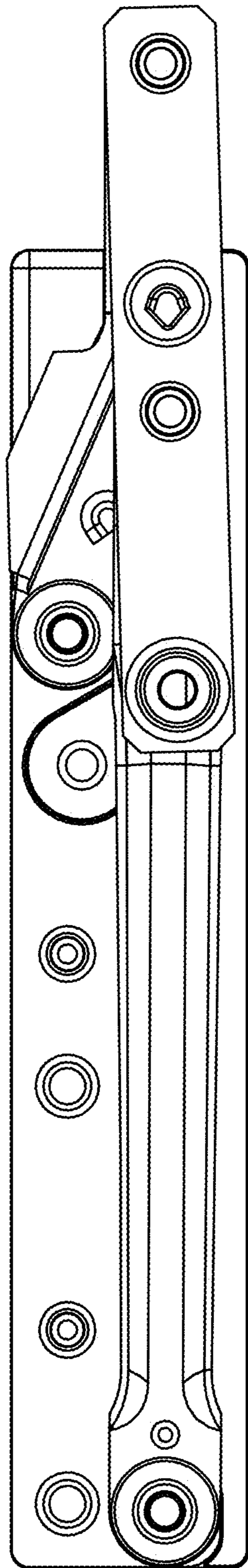


FIG. 2

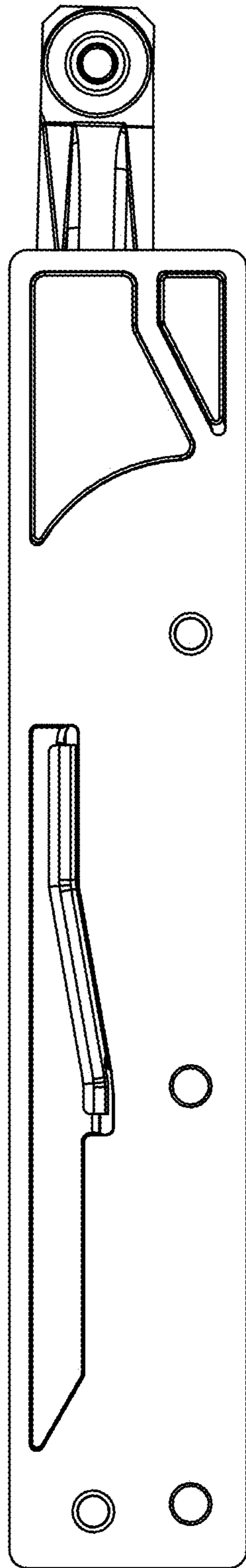


FIG. 3

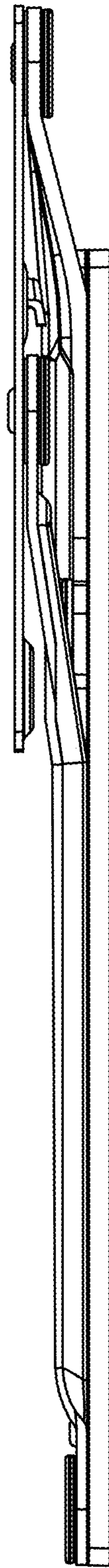


FIG. 4

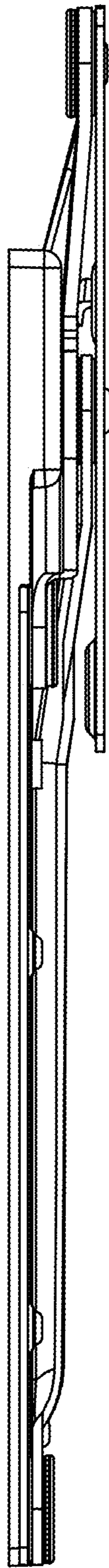


FIG. 5

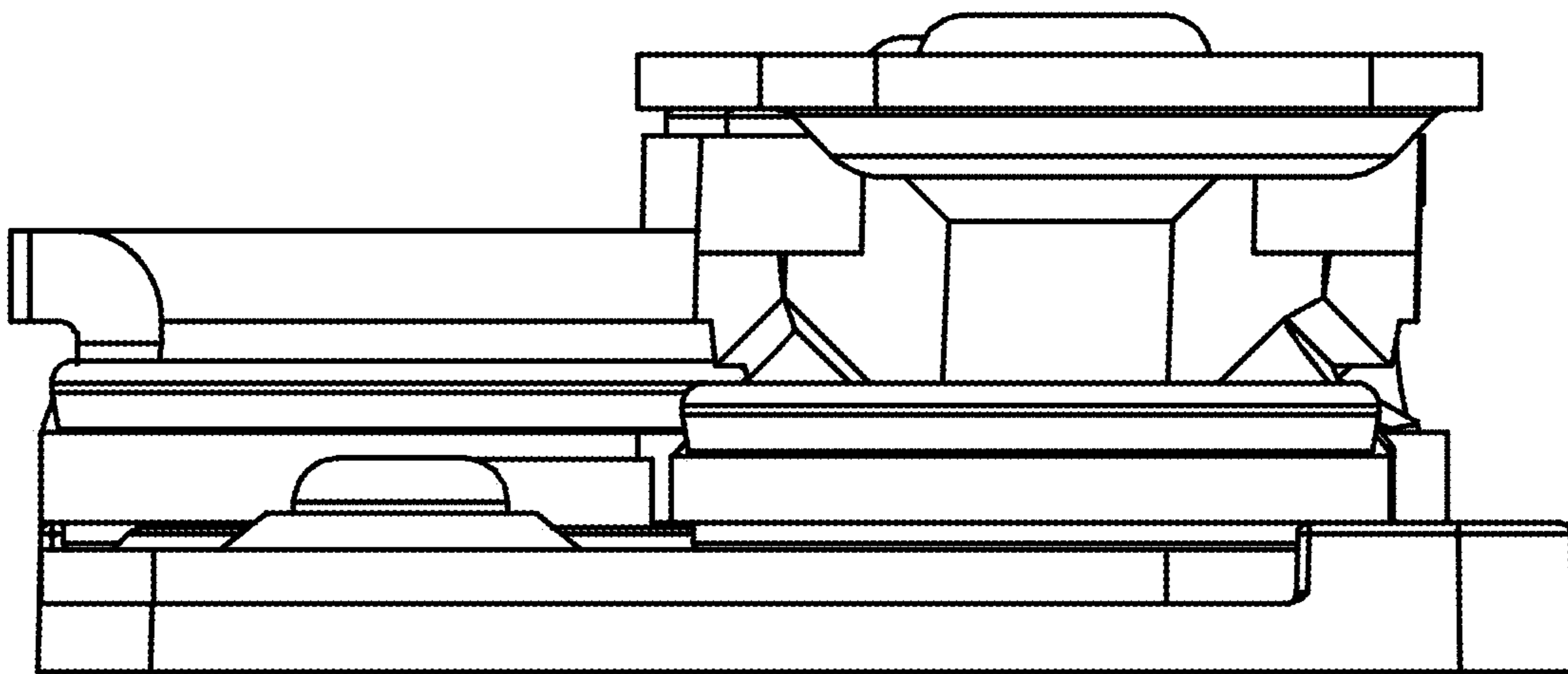


FIG. 6

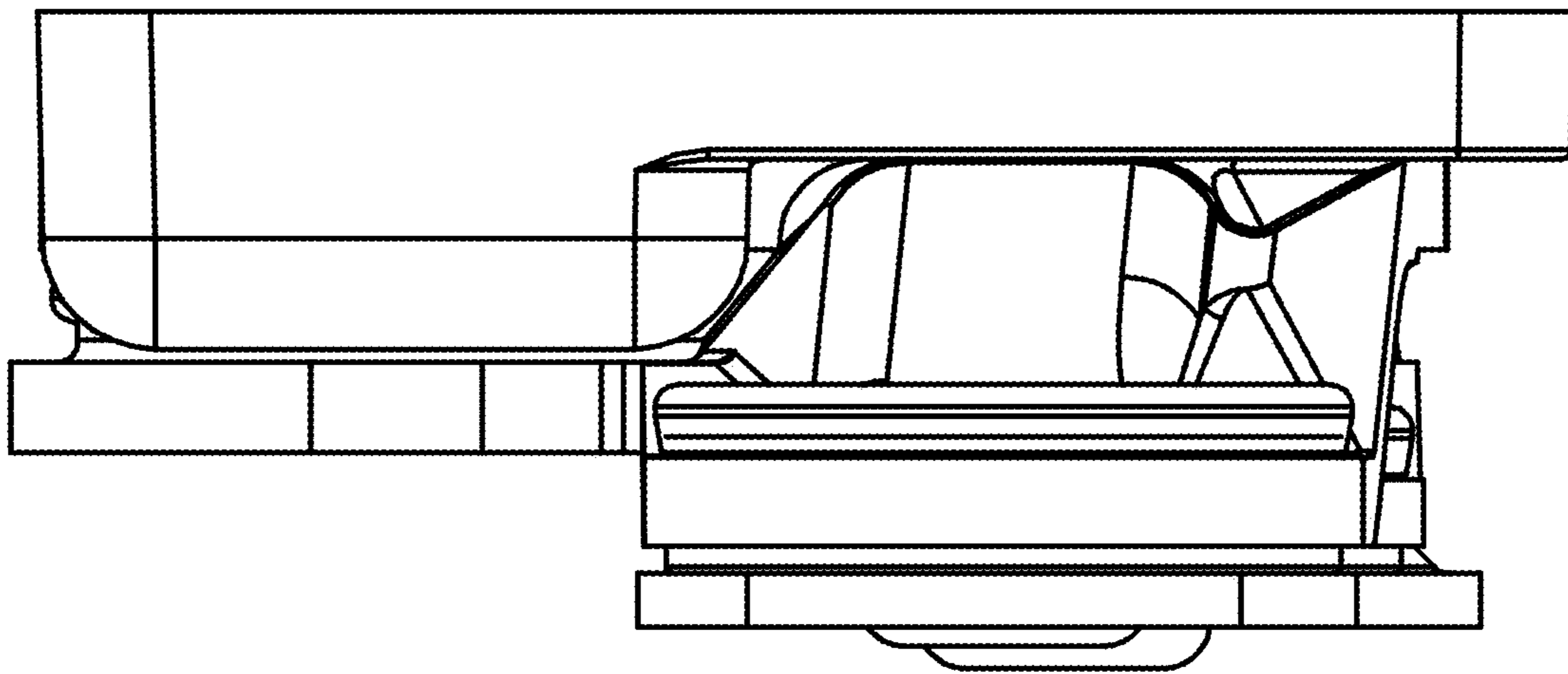


FIG. 7

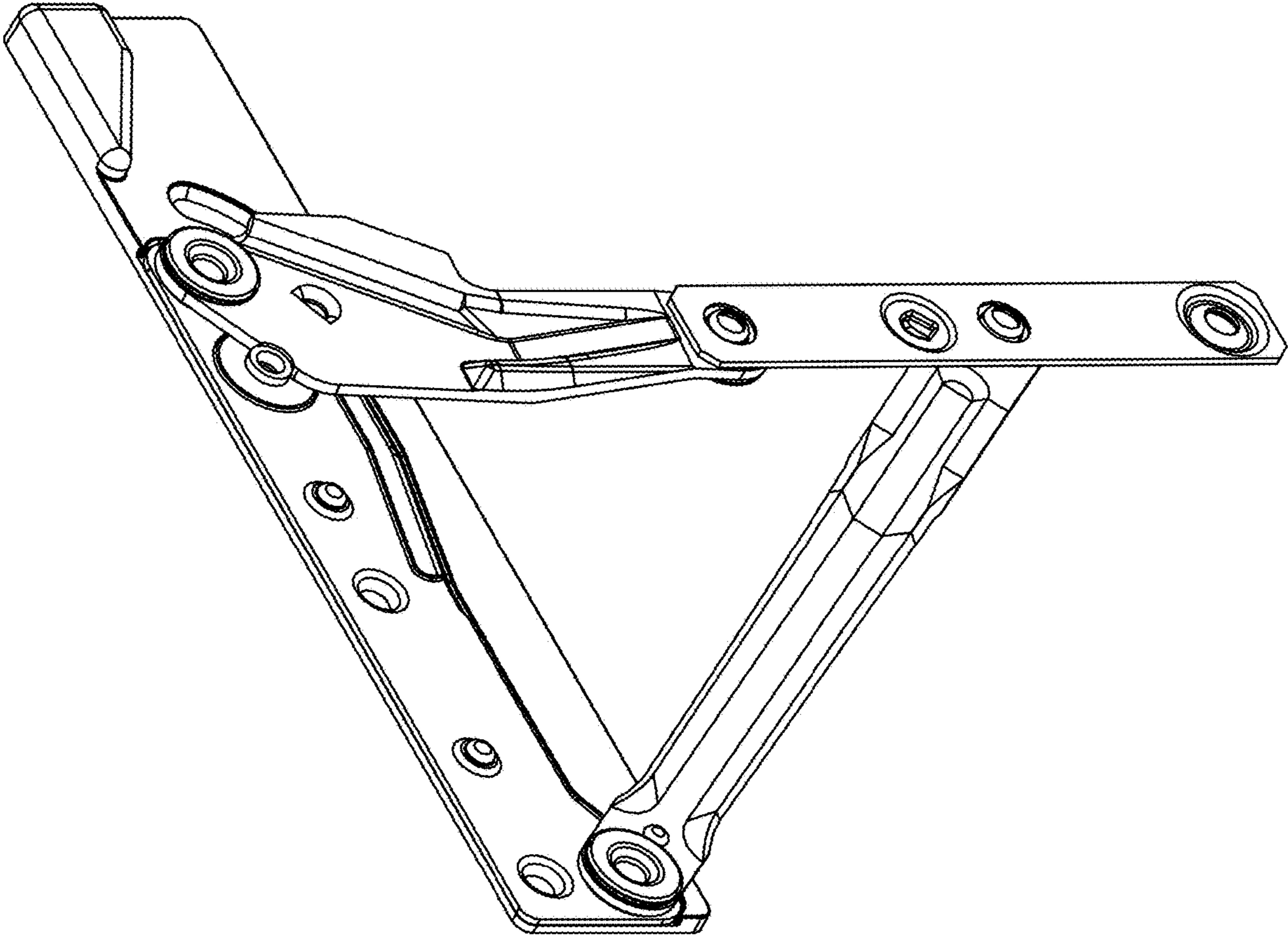


FIG. 8

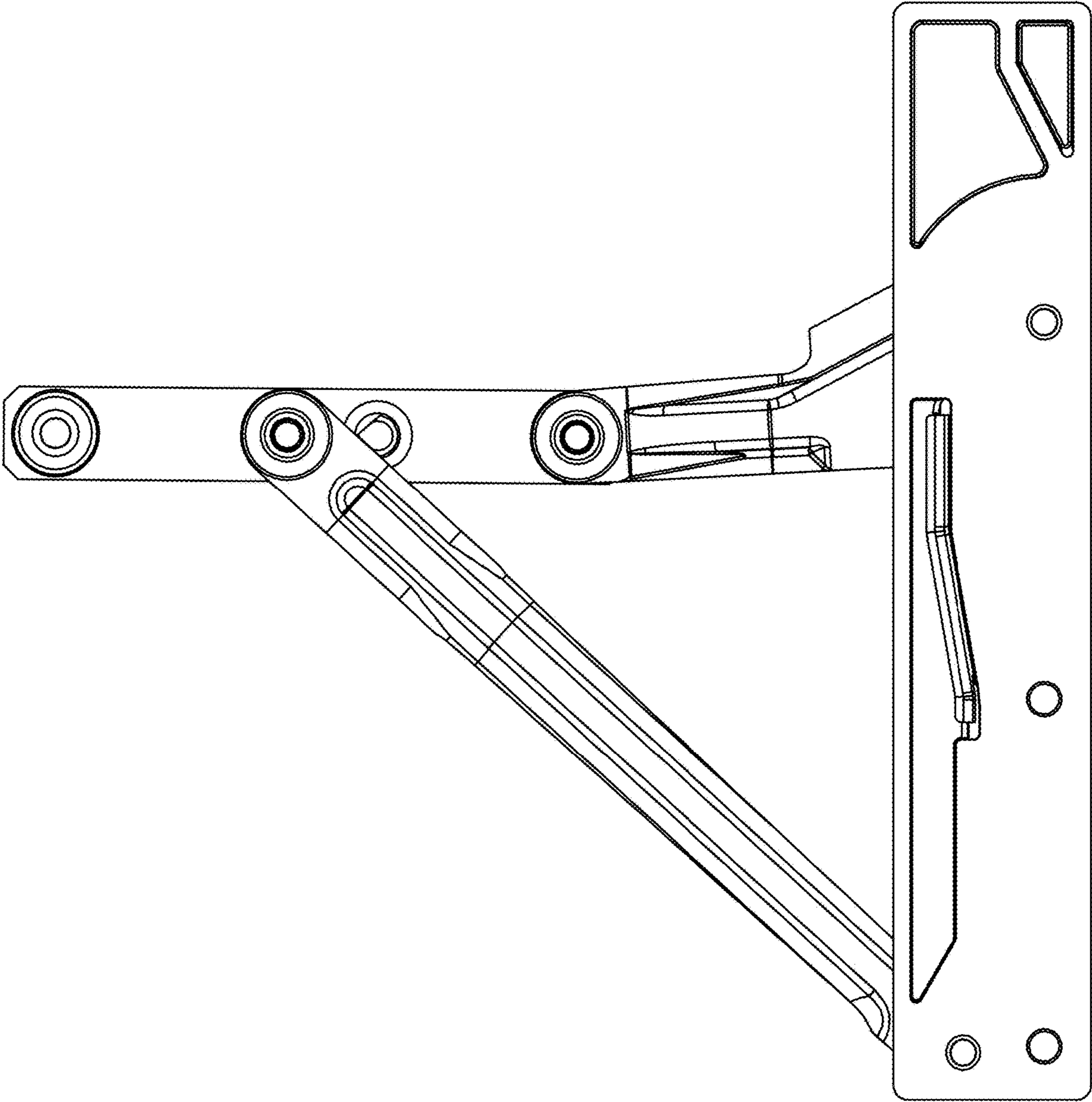


FIG. 9

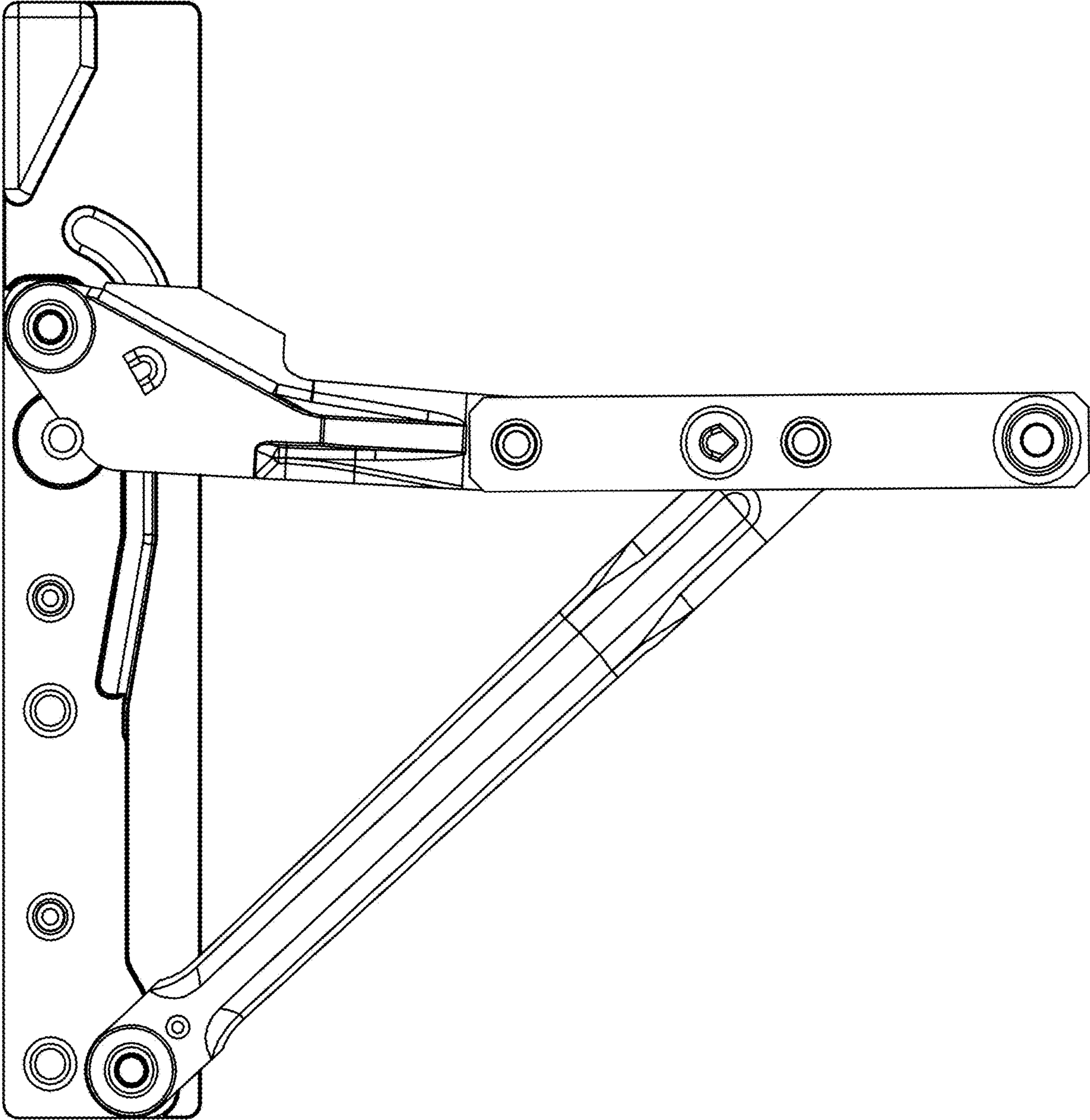


FIG. 10

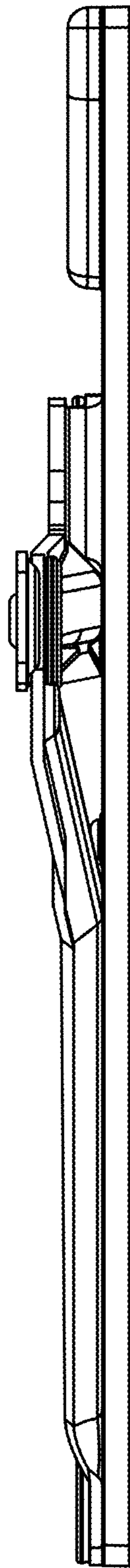


FIG. 11



FIG. 12

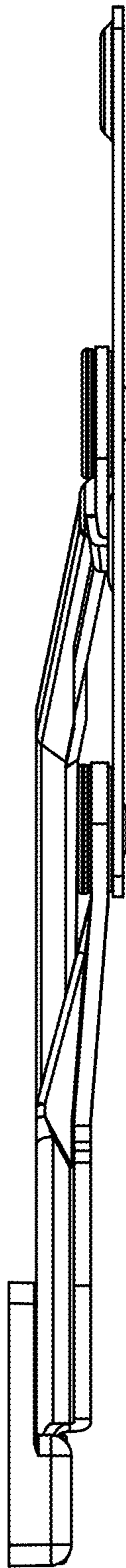


FIG. 13

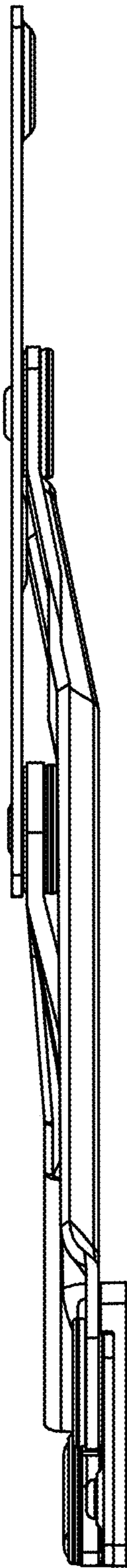


FIG. 14