



US00D891241S

(12) **United States Design Patent**
Buczynski et al.

(10) **Patent No.:** **US D891,241 S**

(45) **Date of Patent:** **** Jul. 28, 2020**

- (54) **NUT RETAINER**
- (71) Applicant: **ILLINOIS TOOL WORKS INC.**,
Glenview, IL (US)
- (72) Inventors: **Gregory Buczynski**, Ferndale, MI
(US); **Clinton Pitt**, Portland, TN (US)
- (73) Assignee: **Illinois Tool Works Inc.**, Glenview, IL
(US)
- (**) Term: **15 Years**
- (21) Appl. No.: **29/712,695**
- (22) Filed: **Nov. 11, 2019**

- 6,276,644 B1 * 8/2001 Jennings F16L 3/04
248/49
- D481,302 S * 10/2003 Whipple D8/388
- 6,629,809 B2 10/2003 Vassiliou
- 6,719,512 B2 * 4/2004 O'Banion F16B 13/0816
411/448
- 6,745,440 B2 6/2004 Vassiliou
- D497,101 S * 10/2004 Whipple D8/388
- 7,120,971 B2 10/2006 Osterland et al.
- 7,226,260 B2 6/2007 Jackson, Jr. et al.
- D572,580 S 7/2008 Machida

(Continued)

Primary Examiner — John Windmuller

(74) *Attorney, Agent, or Firm* — Quarles & Brady LLP

Related U.S. Application Data

- (63) Continuation of application No. 29/653,904, filed on
Jun. 19, 2018, now Pat. No. Des. 874,913.
- (51) **LOC (12) Cl.** **08-08**
- (52) **U.S. Cl.**
USPC **D8/395**; D8/399
- (58) **Field of Classification Search**
USPC D8/356, 371, 394–396, 397, 399, 349
CPC A61B 17/0401; E04D 13/1476; E04G
25/065; F16B 41/002; F16B 23/0061;
F16B 37/14; F16B 35/00
See application file for complete search history.

References Cited

U.S. PATENT DOCUMENTS

- (56) 4,175,728 A * 11/1979 Ferguson F16L 3/04
24/16 R
- 5,653,550 A * 8/1997 Mutz E03C 1/33
403/329
- 5,743,061 A * 4/1998 Rolph F16B 13/0891
248/231.91
- 5,919,019 A 7/1999 Fischer
- 6,203,240 B1 3/2001 Hironaka et al.

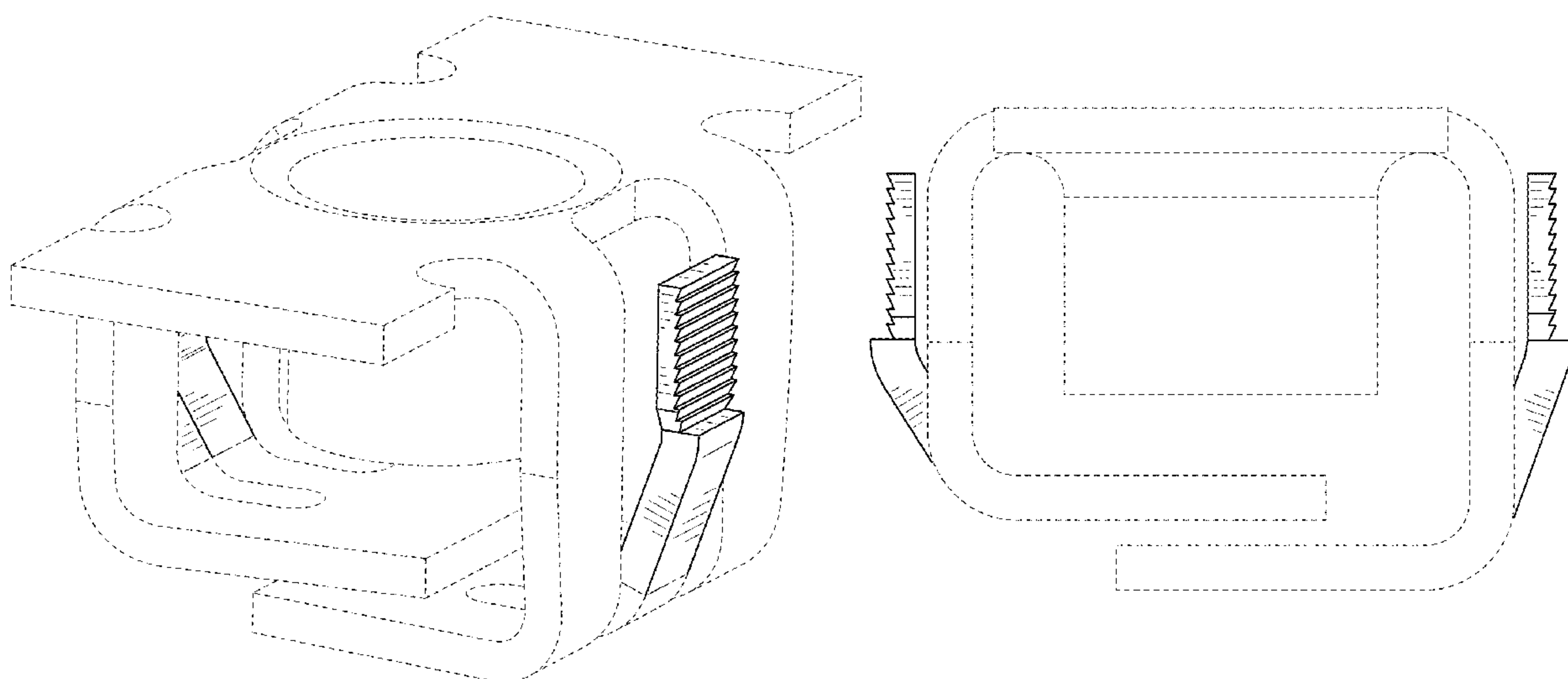
(57) **CLAIM**

The ornamental design for a nut retainer, as shown and described.

DESCRIPTION

FIG. 1 is an isometric view of a top, front, and right side of an ornamental design for a nut retainer;
 FIG. 2 is an isometric view of a bottom, rear, and left side of the nut retainer of FIG. 1;
 FIG. 3 is a front elevational view of the nut retainer of FIG. 1;
 FIG. 4 is a rear elevational view of the nut retainer of FIG. 1;
 FIG. 5 is a right side elevational view of the nut retainer of FIG. 1;
 FIG. 6 is a left side elevational view of the nut retainer of FIG. 1;
 FIG. 7 is a top plan view of the nut retainer of FIG. 1; and,
 FIG. 8 is a bottom plan view of the nut retainer of FIG. 1.
 The dash-dash-dash-dash broken lines are included for the purpose of illustrating portions that form no part of the claimed design. The dash-dot-dash lines showing boundary lines form no part of the claimed design.

1 Claim, 7 Drawing Sheets



(56)

References Cited

U.S. PATENT DOCUMENTS

7,568,870 B2 8/2009 Paquet
7,640,634 B2 1/2010 Vassiliou
8,303,227 B2* 11/2012 Komsitsky F16B 43/00
411/477
8,573,881 B2* 11/2013 Spitz F16B 2/243
24/295
8,790,056 B2 7/2014 Fuentes Domingo et al.
8,800,120 B2 8/2014 Benedetti
9,440,596 B2 9/2016 Huelke et al.
9,562,554 B2 2/2017 Vidal et al.
D782,928 S 4/2017 Takakuwa et al.
D782,930 S 4/2017 Takakuwa et al.
9,631,662 B2 4/2017 Boyer et al.
D874,913 S 2/2020 Buczynski et al.
2004/0093701 A1 5/2004 Dickinson et al.
2005/0260060 A1* 11/2005 Zoubek F16B 21/086
411/508
2006/0254032 A1* 11/2006 Gibbons B60N 3/026
24/295
2006/0288543 A1* 12/2006 Lubera B60N 3/026
24/295
2010/0026028 A1 2/2010 Smith et al.

* cited by examiner

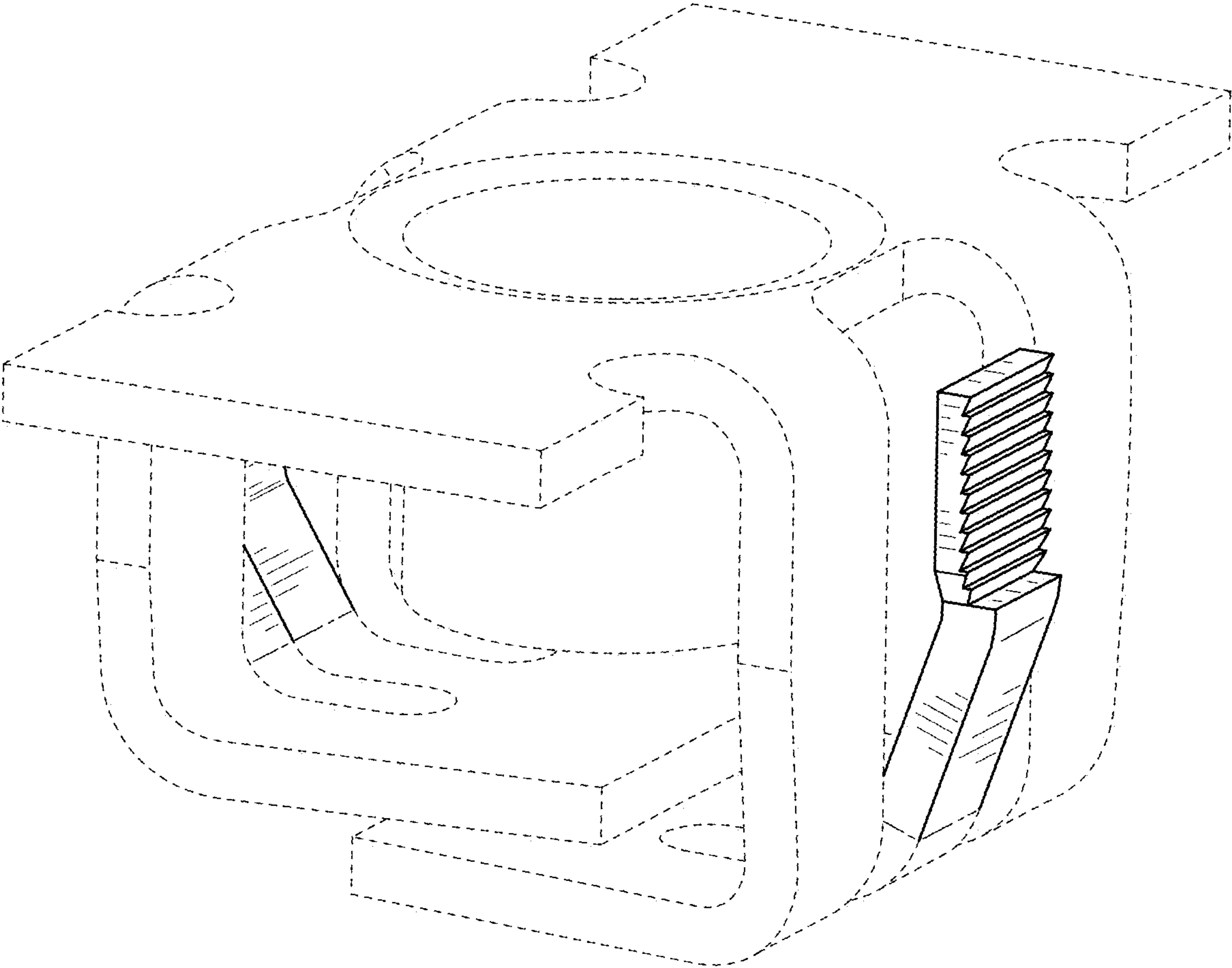


FIG. 1

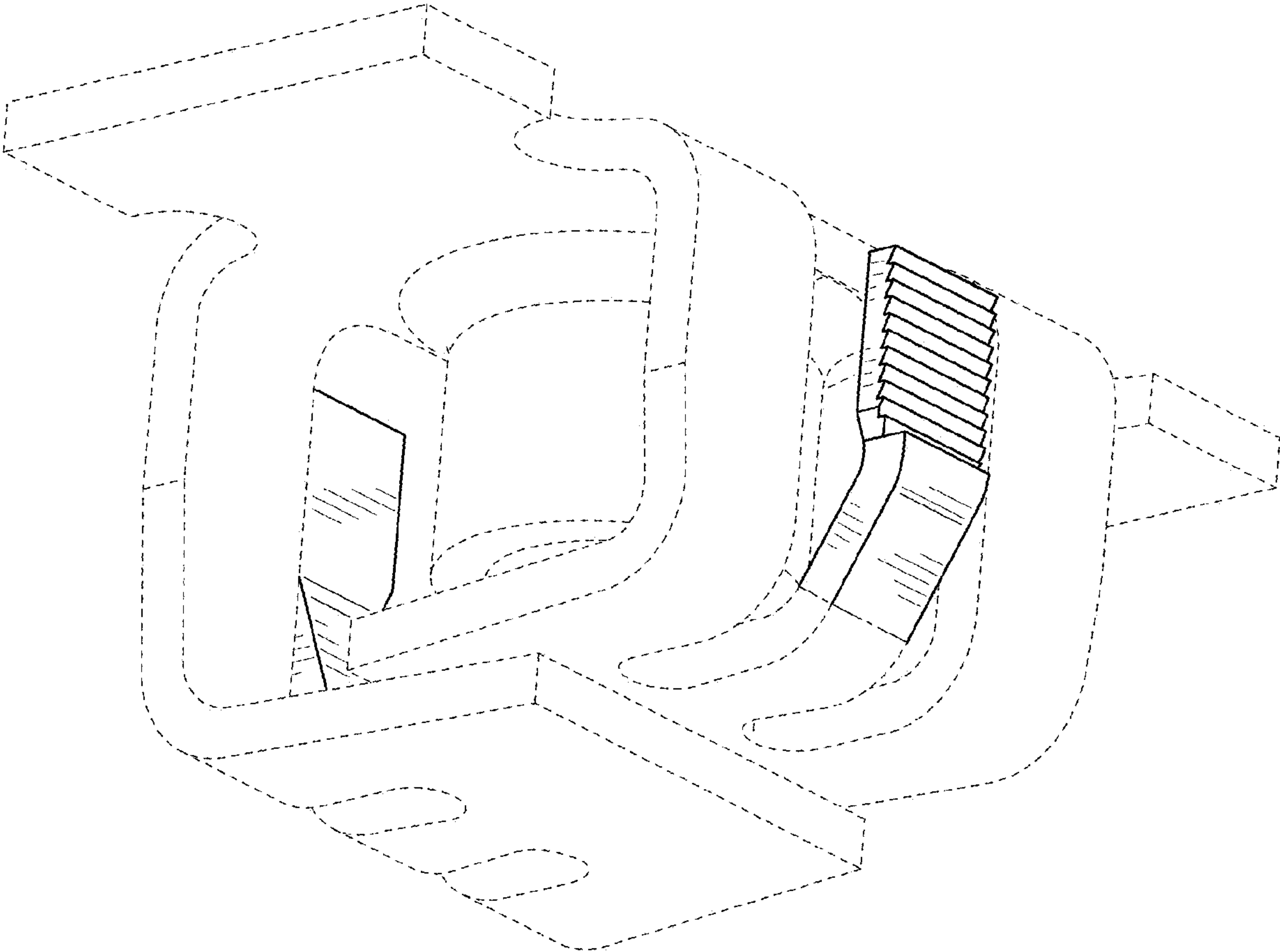


FIG. 2

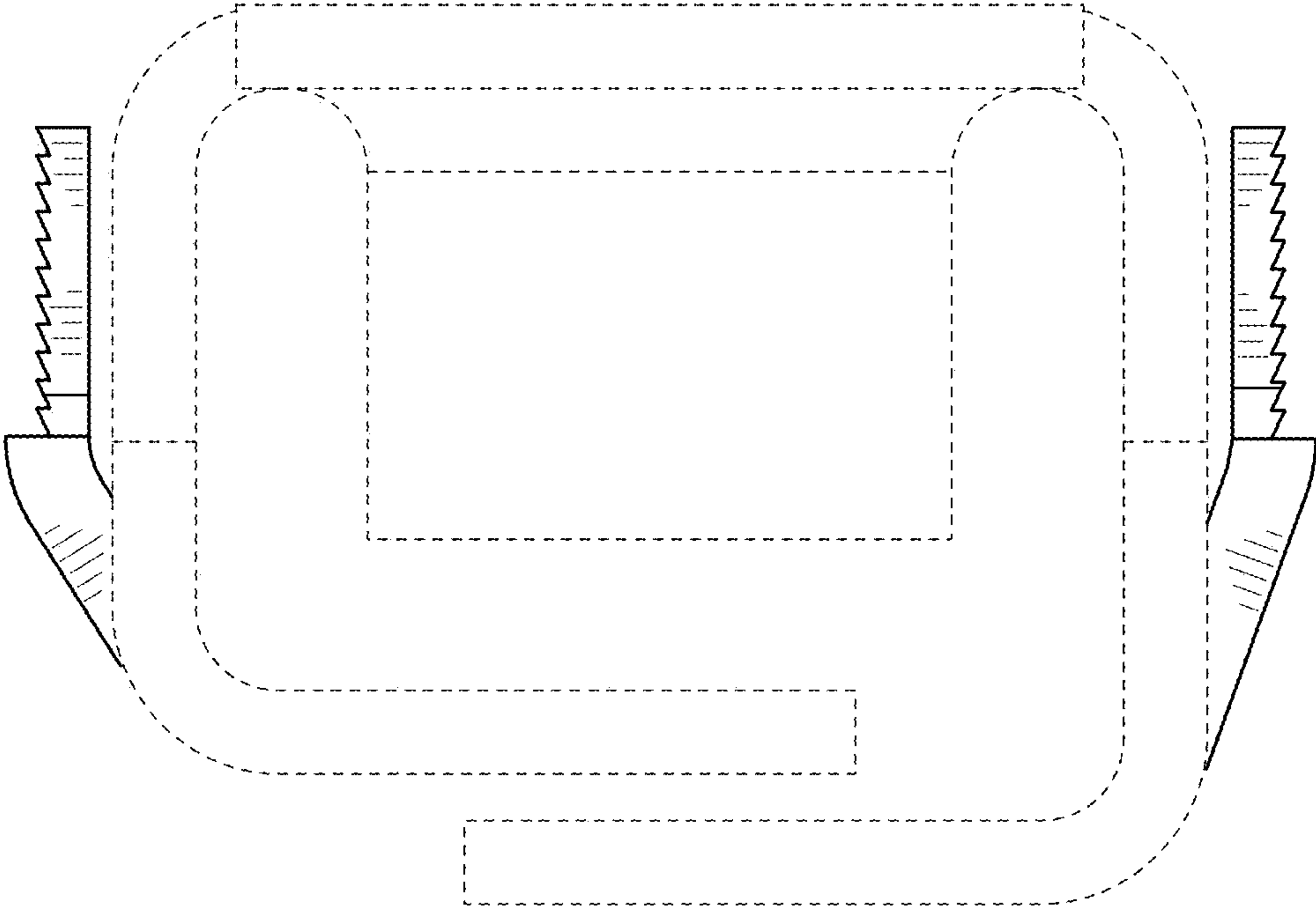


FIG. 3

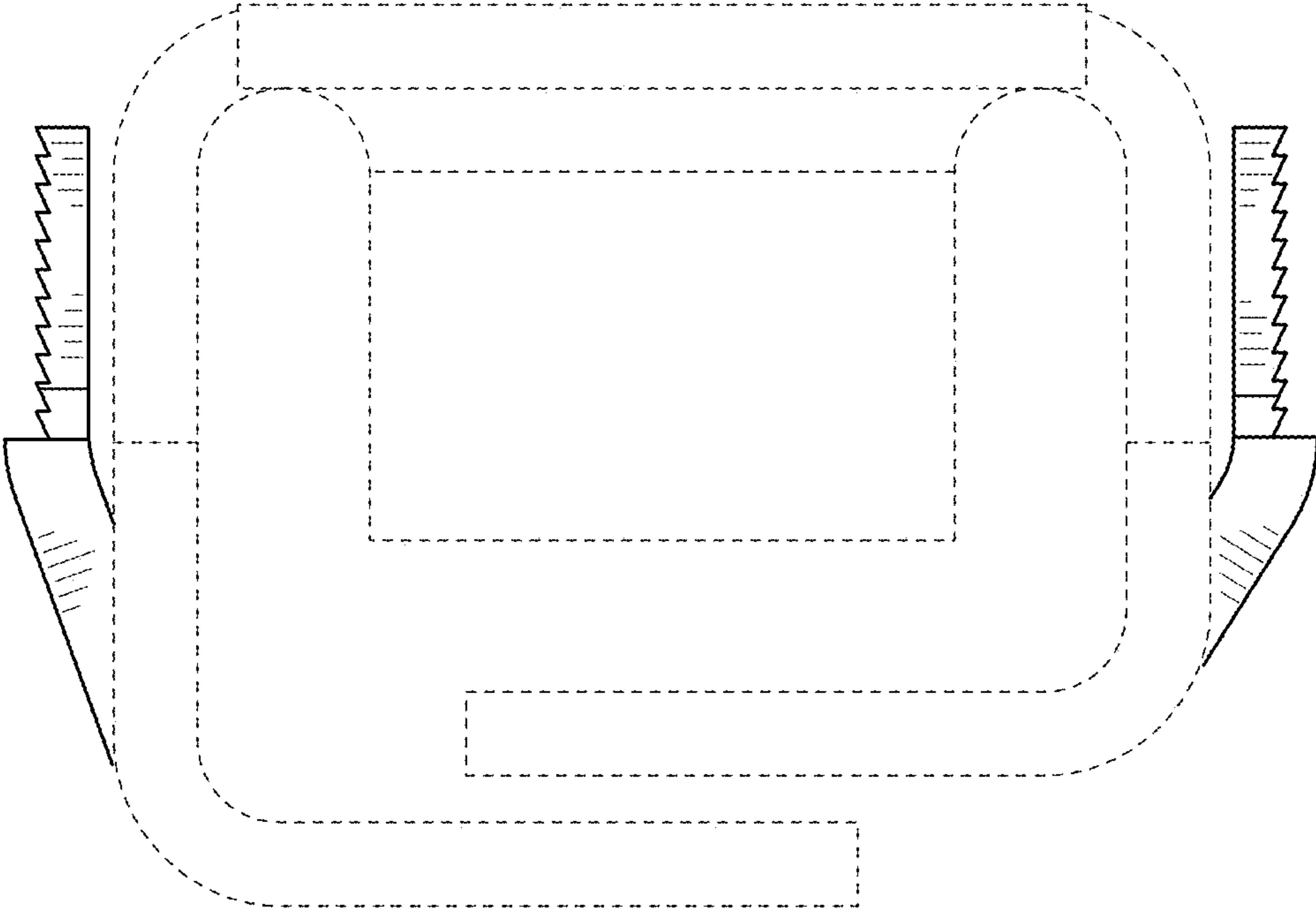


FIG. 4

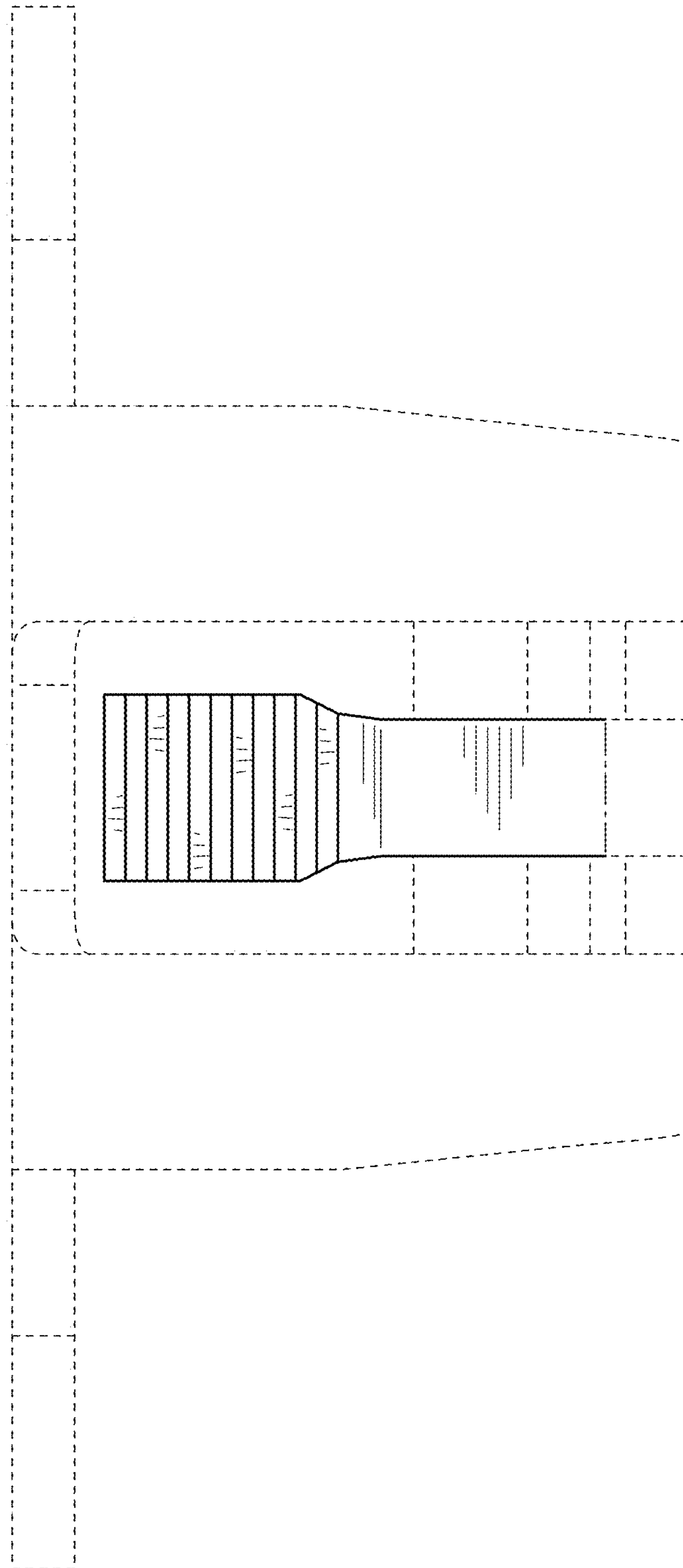


FIG. 5

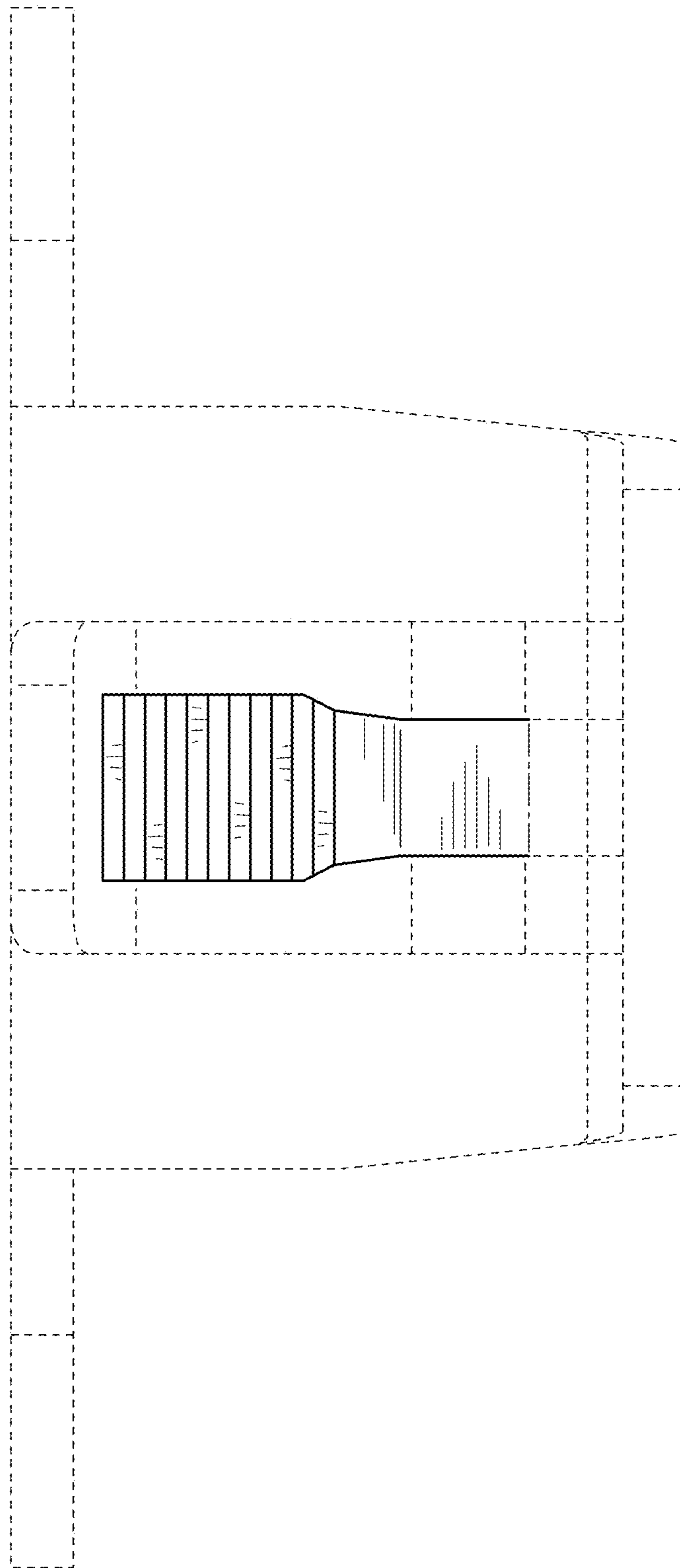


FIG. 6

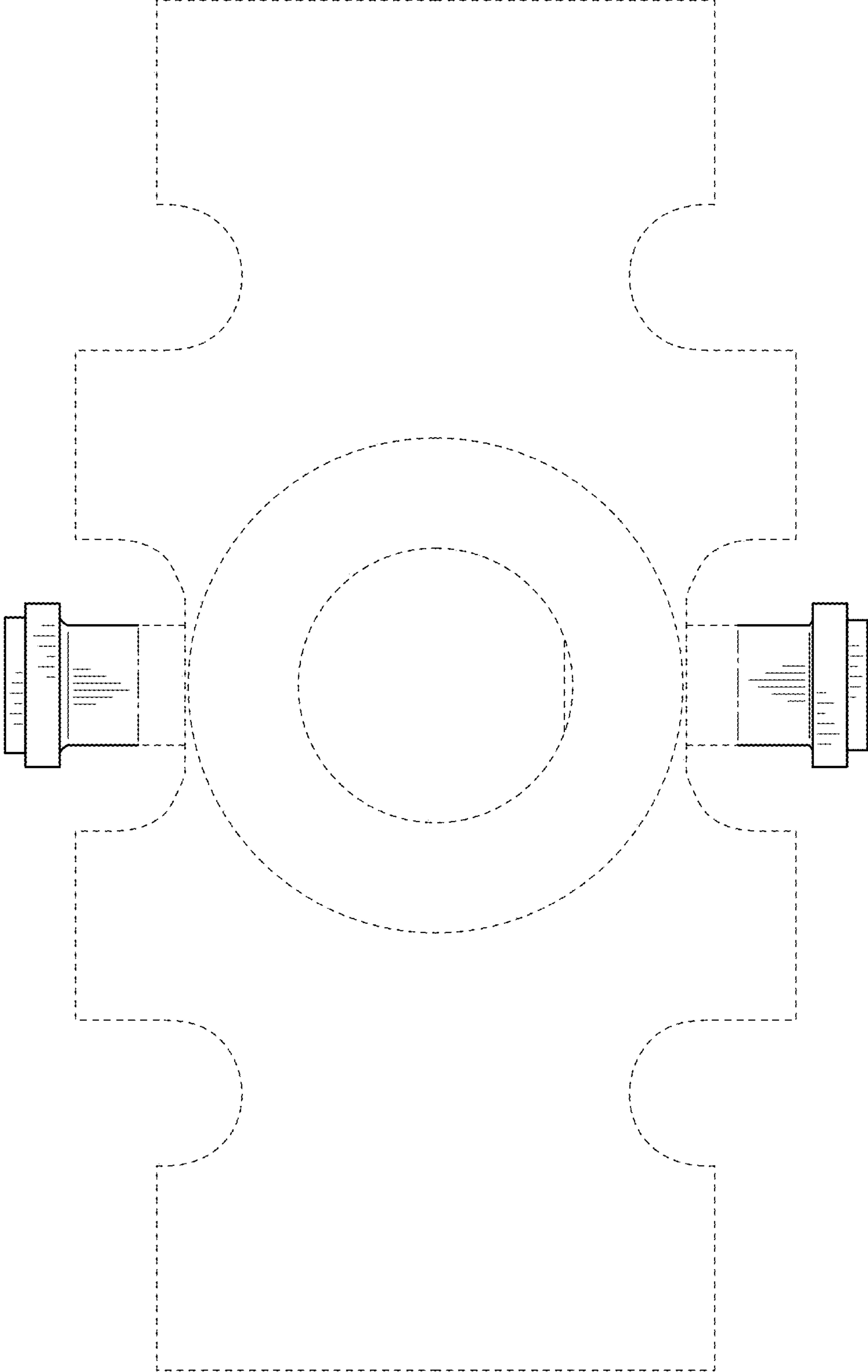


FIG. 7

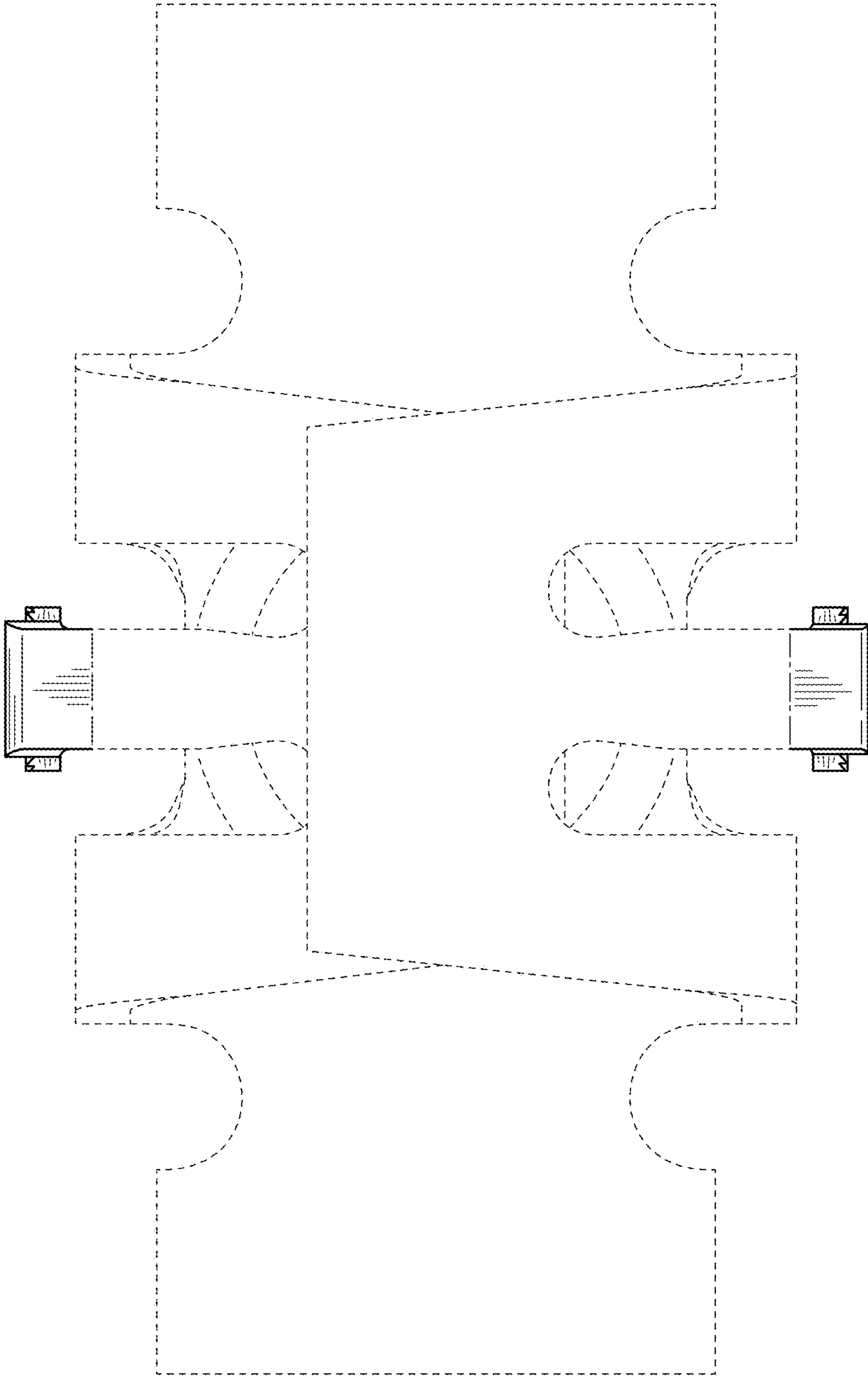


FIG. 8