



US00D891240S

(12) **United States Design Patent**
Buczynski

(10) **Patent No.:** **US D891,240 S**

(45) **Date of Patent:** **** Jul. 28, 2020**

- (54) **U-NUT**
- (71) Applicant: **ILLINOIS TOOL WORKS INC.**,
Glenview, IL (US)
- (72) Inventor: **Gregory George Buczynski**, Ferndale,
MI (US)
- (73) Assignee: **Illinois Tool Works Inc.**, Glenview, IL
(US)
- (**) Term: **15 Years**
- (21) Appl. No.: **29/702,735**
- (22) Filed: **Aug. 21, 2019**
- (51) **LOC (12) Cl.** **08-08**
- (52) **U.S. Cl.**
USPC **D8/395; D8/399**
- (58) **Field of Classification Search**
USPC D8/356, 371, 394-396, 397, 399, 349
CPC A61B 17/0401; E04D 13/1476; E04G
25/065; F16B 41/002; F16B 23/0061;
F16B 37/14; F16B 35/00
See application file for complete search history.

(56) **References Cited**

U.S. PATENT DOCUMENTS

5,201,799	A *	4/1993	Johnson	F16B 21/18
					24/563
D363,453	S *	10/1995	Herdt	D11/78.1
D390,493	S *	2/1998	Fletcher	D11/78.1
6,457,218	B1 *	10/2002	Lawrence	B42F 1/10
					24/3.12
D552,462	S *	10/2007	Boyd	D8/395
D581,311	S *	11/2008	Cornett	D11/78.1
D597,827	S *	8/2009	Brassard	D8/395
D636,293	S *	4/2011	Dolce	D11/222
D677,193	S *	3/2013	MacDonald	D11/78.1
D686,910	S *	7/2013	Towell, Jr.	D8/395

D710,741	S *	8/2014	Hirschorn	D11/78.1
D711,284	S *	8/2014	Crumbley	D11/215
D715,686	S *	10/2014	Crafton	D11/202
D716,137	S *	10/2014	Szymanski	D8/395
D740,113	S *	10/2015	Olenick	D8/399
D756,644	S *	5/2016	Murphy, Jr.	D3/266
D757,533	S *	5/2016	Ormsbee	D8/395
D759,475	S *	6/2016	Banno	D8/395
9,826,810	B2 *	11/2017	Singer	A45C 1/06
D806,529	S *	1/2018	Olenick	D8/399
D808,787	S *	1/2018	Kinsky	D8/395
D818,811	S *	5/2018	Hattori	D8/397
D869,265	S *	12/2019	Matsufuji	D8/399
D873,128	S *	1/2020	Lu	D8/397
D876,942	S *	3/2020	Kuhl	D8/394
2009/0129889	A1 *	5/2009	Woodall	F16B 37/041
					411/433

(Continued)

Primary Examiner — John Windmuller

(74) *Attorney, Agent, or Firm* — Quarles & Brady LLP

(57) **CLAIM**

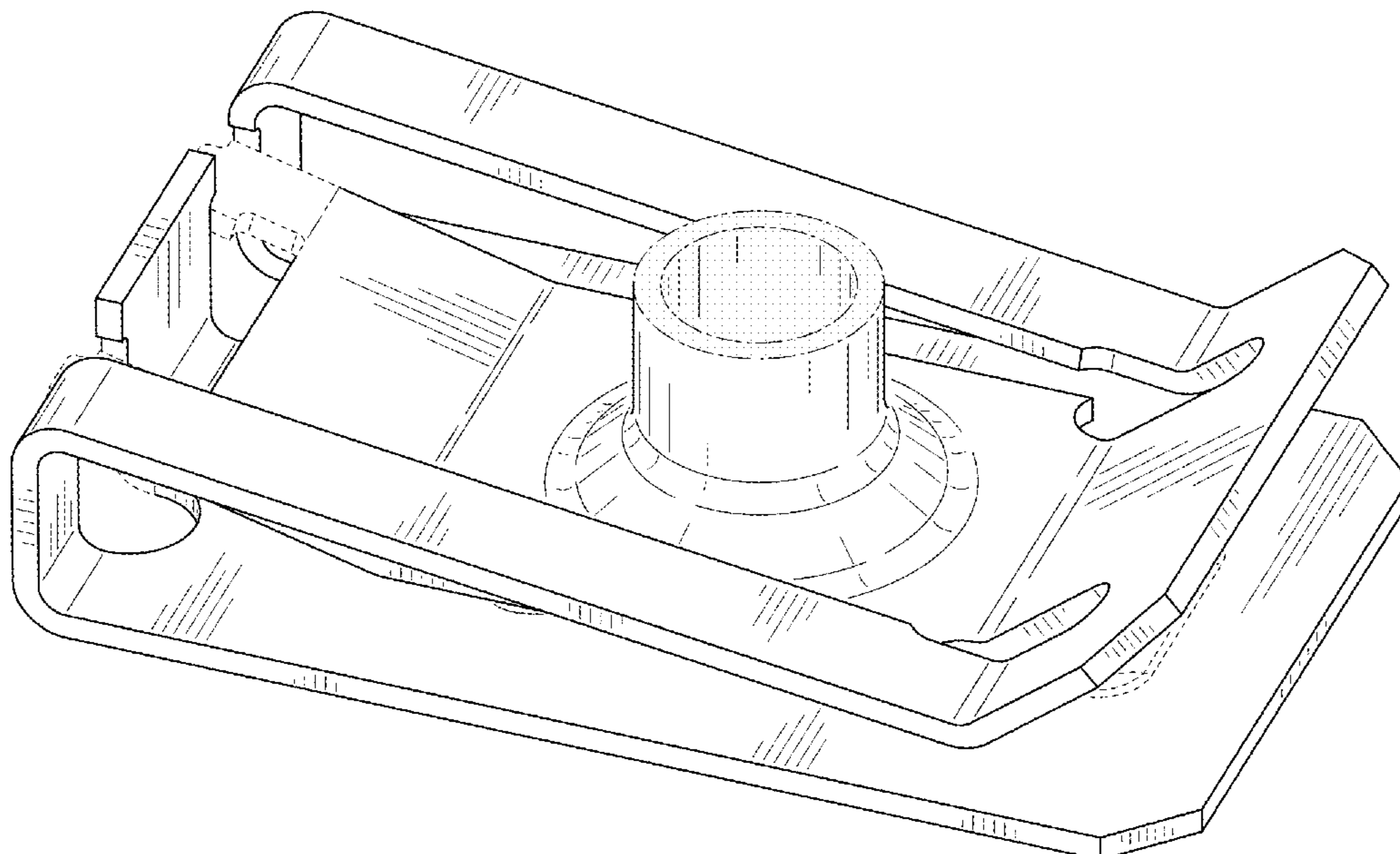
The ornamental design for a U-nut, as shown and described.

DESCRIPTION

FIG. 1 is an isometric view of a front, top, and right side of an ornamental design for a U-nut;
 FIG. 2 is a right side elevational view of the U-nut of FIG. 1;
 FIG. 3 is a left side elevational view of the U-nut of FIG. 1;
 FIG. 4 is a front elevational view of the U-nut of FIG. 1;
 FIG. 5 is a rear elevational view of the U-nut of FIG. 1;
 FIG. 6 is a top plan view of the U-nut of FIG. 1; and,
 FIG. 7 is a bottom plan view of the U-nut of FIG. 1.

The dash-dash-dash lines are included for the purpose of illustrating portions that form no part of the claimed design. The dash-dot-dash lines showing boundary lines form no part of the claimed design.

1 Claim, 6 Drawing Sheets



(56)

References Cited

U.S. PATENT DOCUMENTS

2009/0311076 A1 * 12/2009 Reynolds F16B 37/12
411/433

* cited by examiner

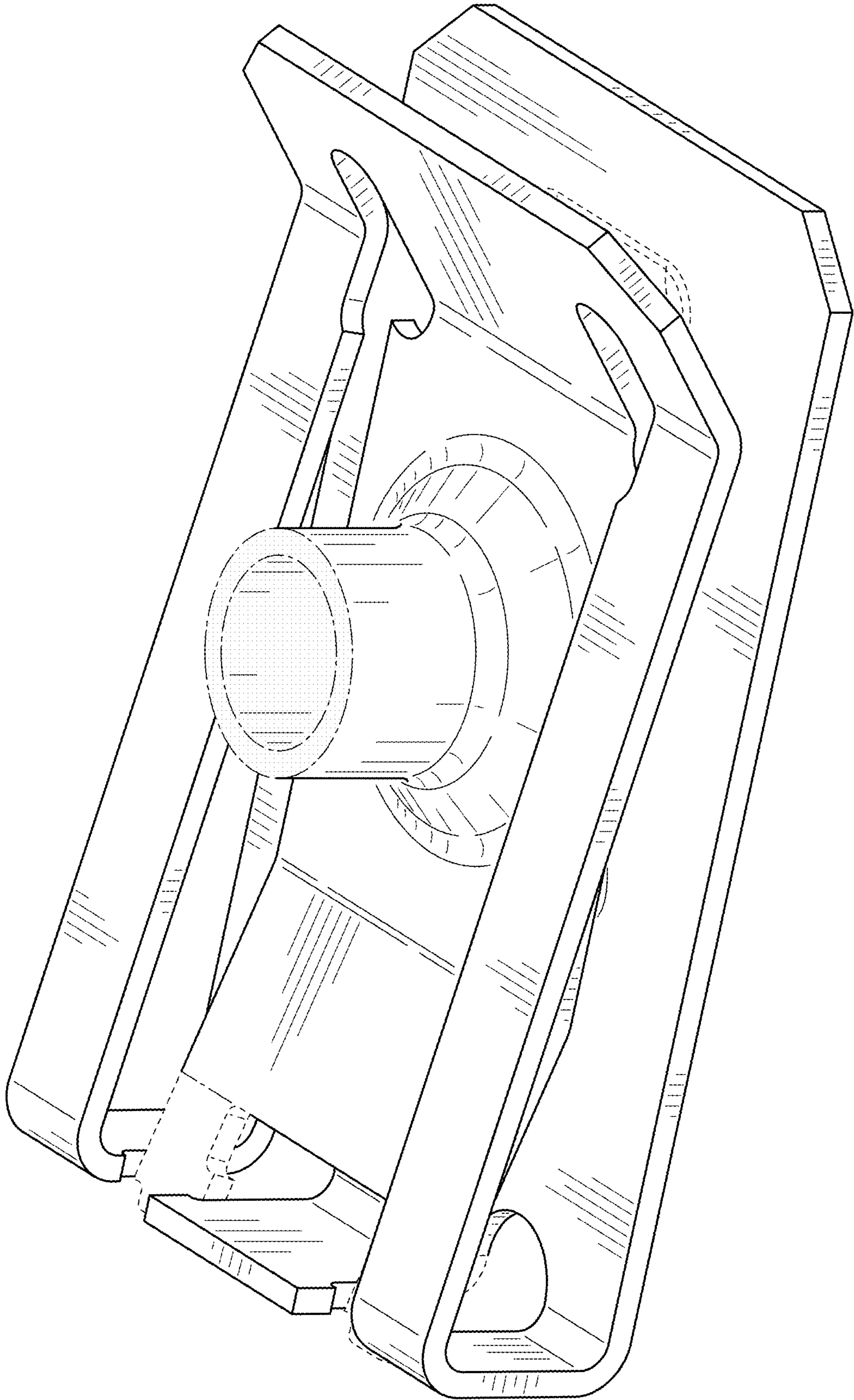


FIG. 1

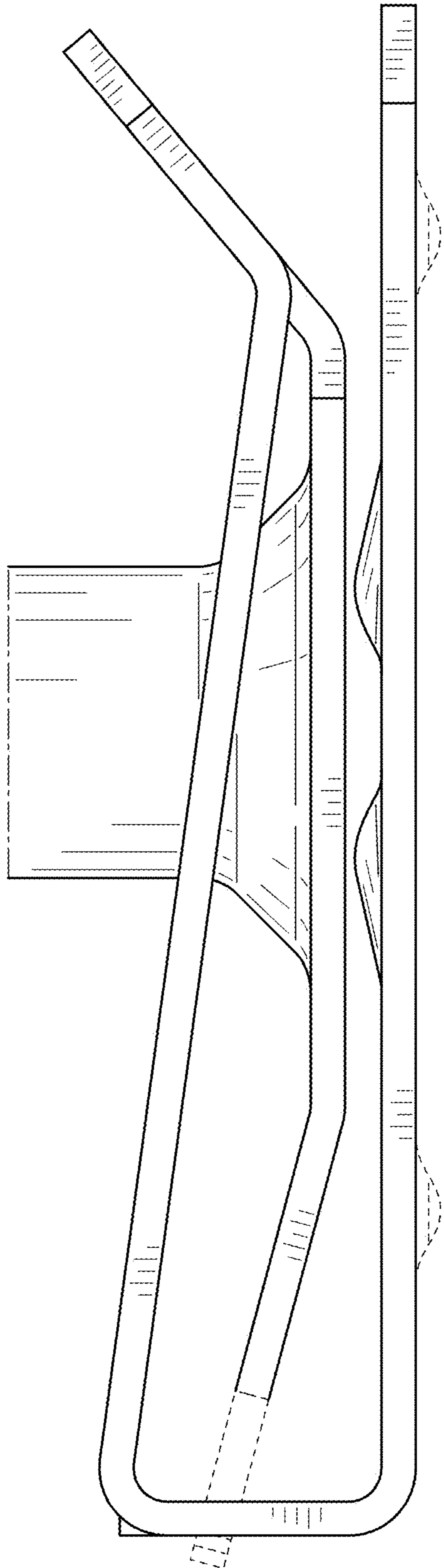


FIG. 2

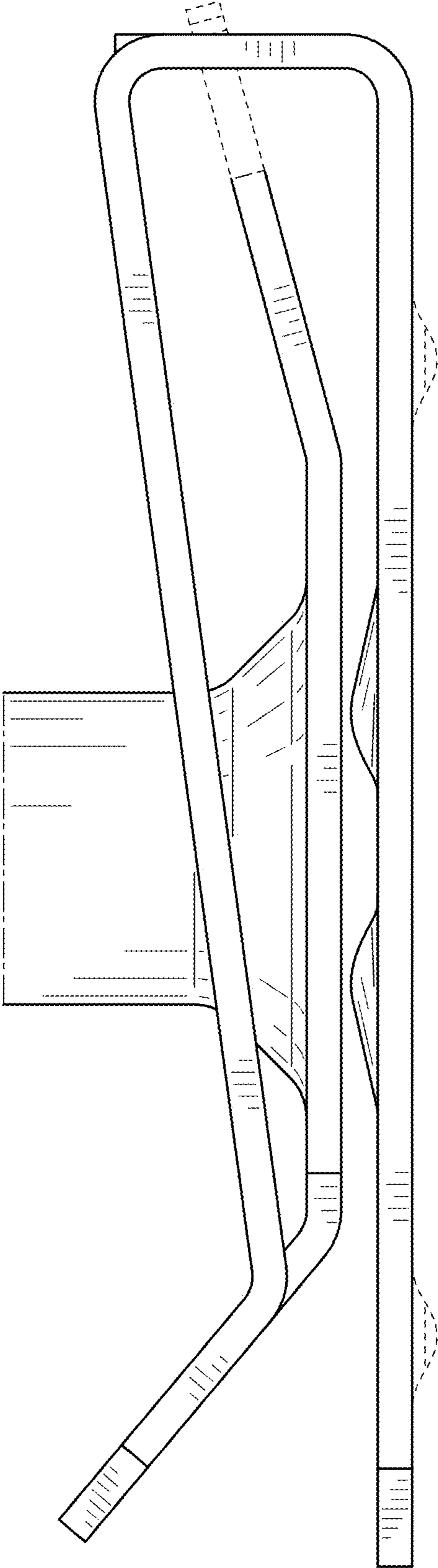


FIG. 3

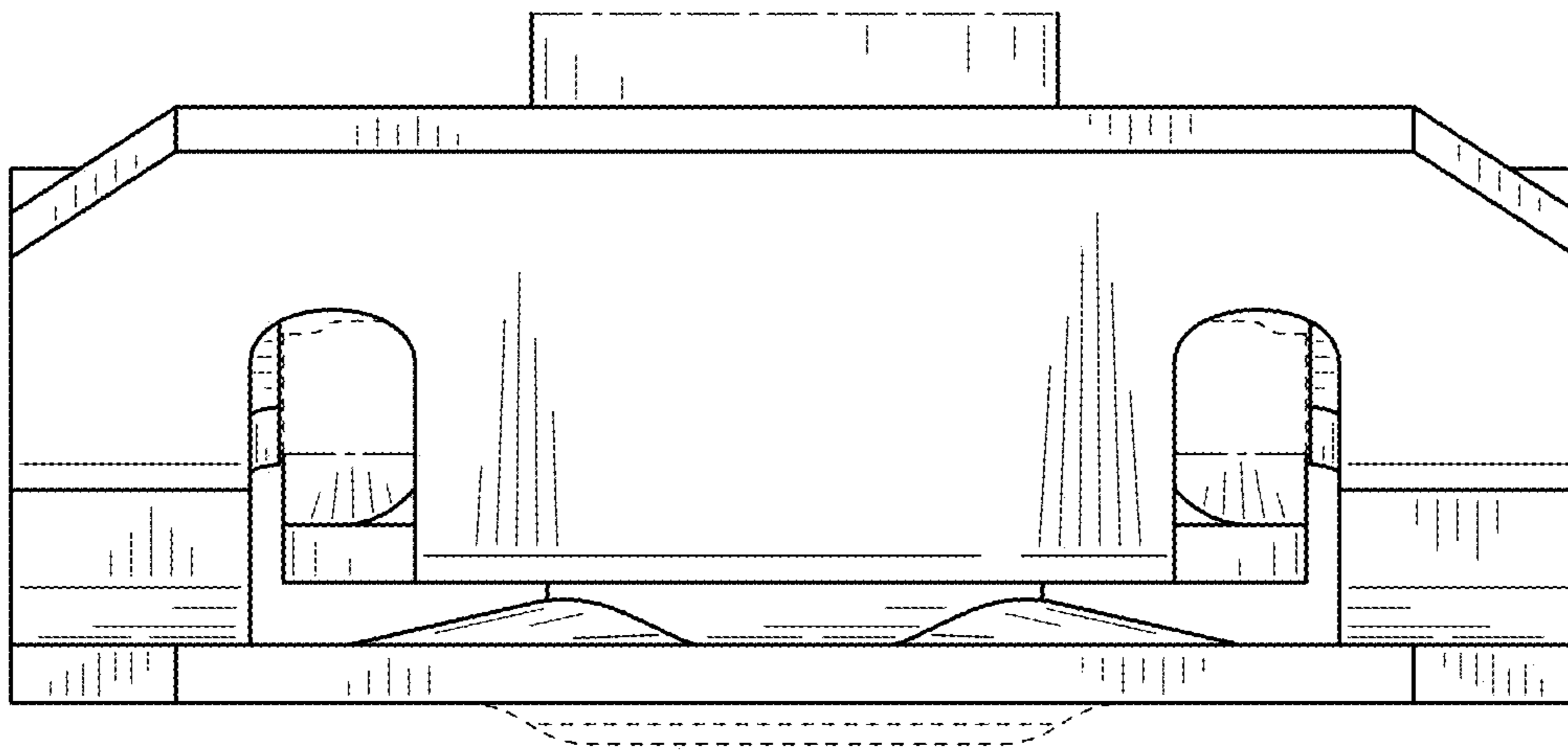


FIG. 4

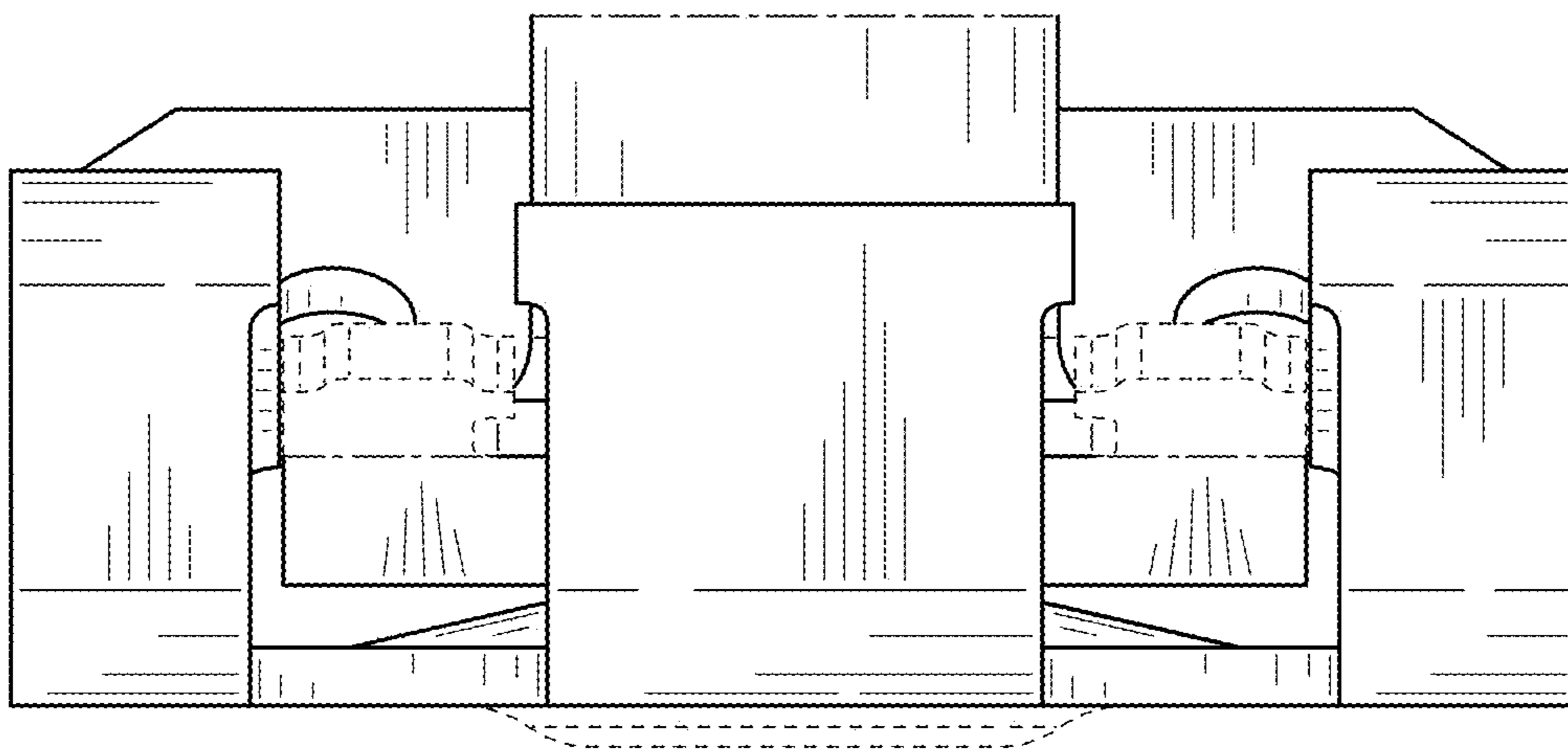


FIG. 5

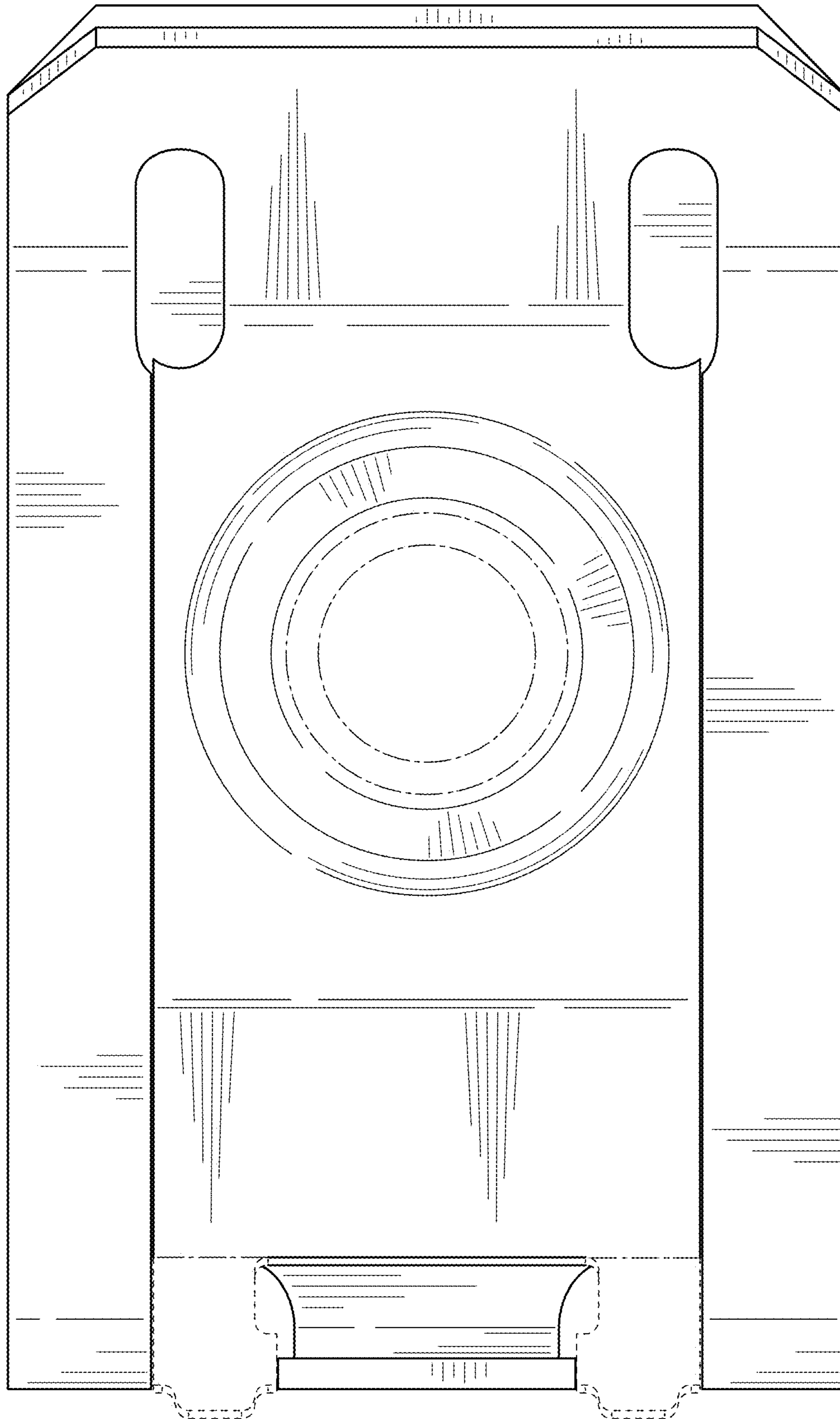


FIG. 6

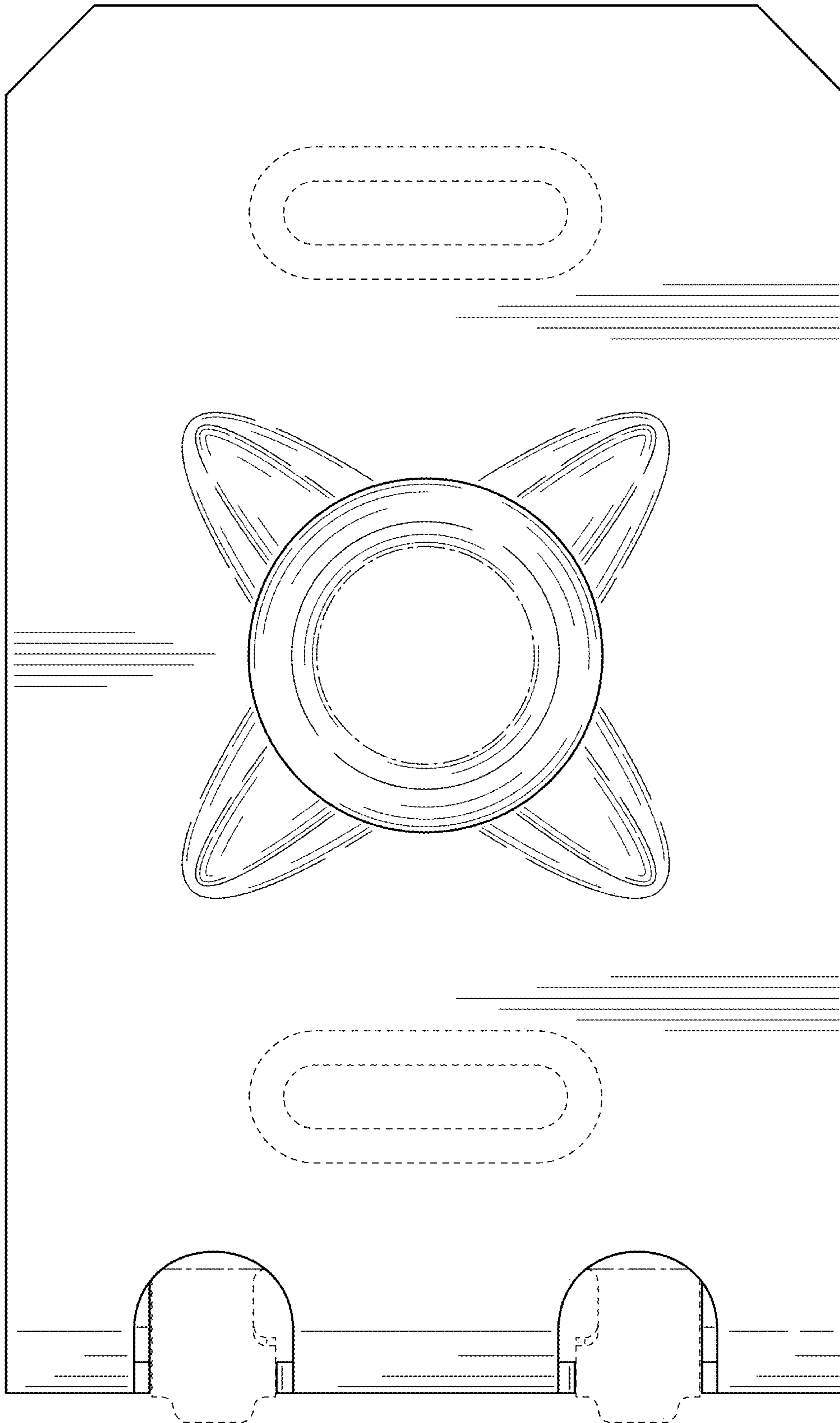


FIG. 7