

US00D891239S

(12) **United States Design Patent**
Goldstein

(10) **Patent No.:** **US D891,239 S**

(45) **Date of Patent:** **** Jul. 28, 2020**

- (54) **CLIP FOR A MULTI-PURPOSE TOOL**
- (71) Applicant: **Avraham Goldstein**, Flushing, NY
(US)
- (72) Inventor: **Avraham Goldstein**, Flushing, NY
(US)
- (**) Term: **15 Years**
- (21) Appl. No.: **29/694,450**
- (22) Filed: **Jun. 11, 2019**
- (51) **LOC (12) Cl.** **08-08**
- (52) **U.S. Cl.**
USPC **D8/395**
- (58) **Field of Classification Search**
USPC D8/356, 371, 394-396; D24/128;
D19/65, 56; D25/58, 121, 122
CPC . E04B 9/067; E04B 9/068; E04B 9/12; E04B
9/18; E04B 9/30; E04B 2009/062; E04C
2003/0413; E04C 2003/0439; E04C
2003/046; E04G 3/26; A63B 27/00
See application file for complete search history.

(56) **References Cited**

U.S. PATENT DOCUMENTS

| | | | | |
|---------------|---------|------------|-------|-------------|
| D24,158 S * | 3/1895 | Sager | | D12/125 |
| 803,464 A * | 10/1905 | Beck | | F16L 3/237 |
| | | | | 24/339 |
| 1,675,806 A * | 7/1928 | Holden | | A45D 8/14 |
| | | | | 24/561 |
| D199,348 S * | 10/1964 | Mussy | | D28/40 |
| 3,309,052 A * | 3/1967 | Borisof | | F16L 3/13 |
| | | | | 248/205.3 |
| D220,424 S * | 4/1971 | Hindenburg | | D8/395 |
| D256,258 S * | 8/1980 | Varrin | | D14/254 |
| D265,381 S * | 7/1982 | Borja | | D18/34.9 |
| D363,453 S * | 10/1995 | Herdt | | D11/78.1 |
| 5,759,049 A * | 6/1998 | Gerber | | H01M 2/1044 |
| | | | | 439/74 |

| | | | | |
|----------------|---------|------------|-------|------------|
| 6,038,742 A * | 3/2000 | Patterson | | A45F 5/02 |
| | | | | 24/3.11 |
| D450,873 S * | 11/2001 | Opolka | | D19/173 |
| D530,192 S * | 10/2006 | Becerra | | D8/395 |
| D530,599 S * | 10/2006 | Martin | | D8/395 |
| D597,827 S * | 8/2009 | Brassard | | D8/395 |
| D601,882 S * | 10/2009 | Mirer | | D8/395 |
| D607,314 S * | 1/2010 | Caniparoli | | D8/395 |
| D636,293 S * | 4/2011 | Dolce | | D11/222 |
| 8,245,359 B2 * | 8/2012 | Fujihara | | B43K 25/02 |
| | | | | 24/11 HC |
| D687,292 S * | 8/2013 | Angel | | D8/395 |
| D721,949 S * | 2/2015 | Kim | | D8/395 |
| D730,166 S * | 5/2015 | Wolfer | | D8/395 |
| D752,966 S * | 4/2016 | Katz | | D8/395 |
| D756,764 S * | 5/2016 | Limber | | D8/395 |
| D757,533 S * | 5/2016 | Ormsbee | | D8/395 |
| 9,713,373 B1 * | 7/2017 | Viani | | A45F 5/02 |
| D793,852 S * | 8/2017 | Rathman | | D8/395 |

(Continued)

Primary Examiner — John Windmuller

(57) **CLAIM**

I claim the ornamental design for a clip for a multi-purpose tool, as shown and described.

DESCRIPTION

FIG. 1 is an elevated perspective view of a clip for a multi-purpose tool showing my new design.

FIG. 2 is an elevated perspective view of the clip of FIG. 1, attached to a multi-purpose tool;

FIG. 3 is a right side view of the clip of FIG. 1;

FIG. 4 is a left side view of the clip of FIG. 1;

FIG. 5 is a top view of the clip of FIG. 1;

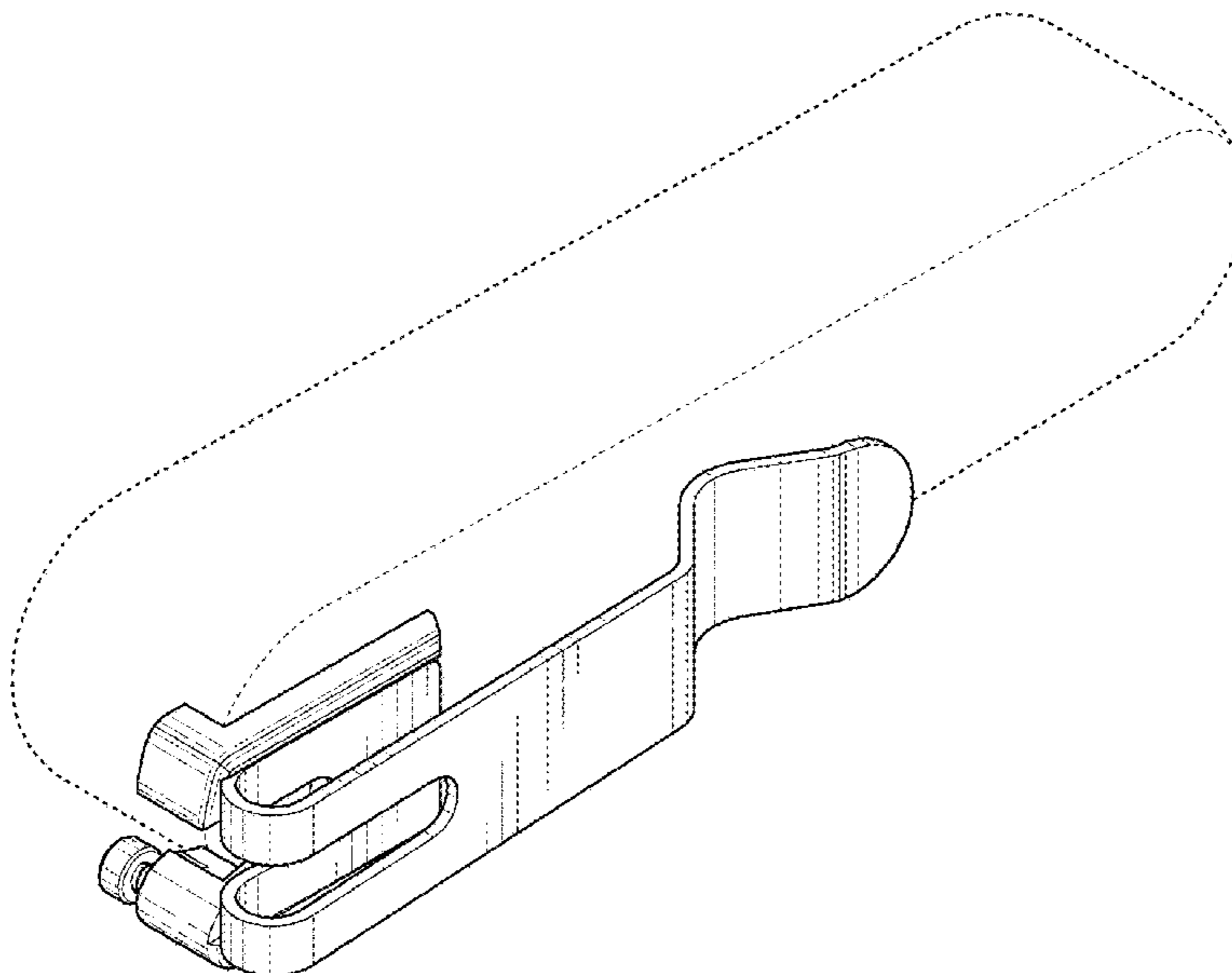
FIG. 6 is a bottom view of the clip of FIG. 1;

FIG. 7 is a back view of the clip of FIG. 1; and,

FIG. 8 is a front view of the clip of FIG. 1.

The broken lines in FIG. 2 showing a multi-purpose tool are for the purpose of illustrating environmental structure and form no part of the claimed design.

1 Claim, 3 Drawing Sheets



(56)

References Cited

U.S. PATENT DOCUMENTS

D808,787 S * 1/2018 Kinsky D8/395
D856,791 S * 8/2019 Limber D8/395

* cited by examiner

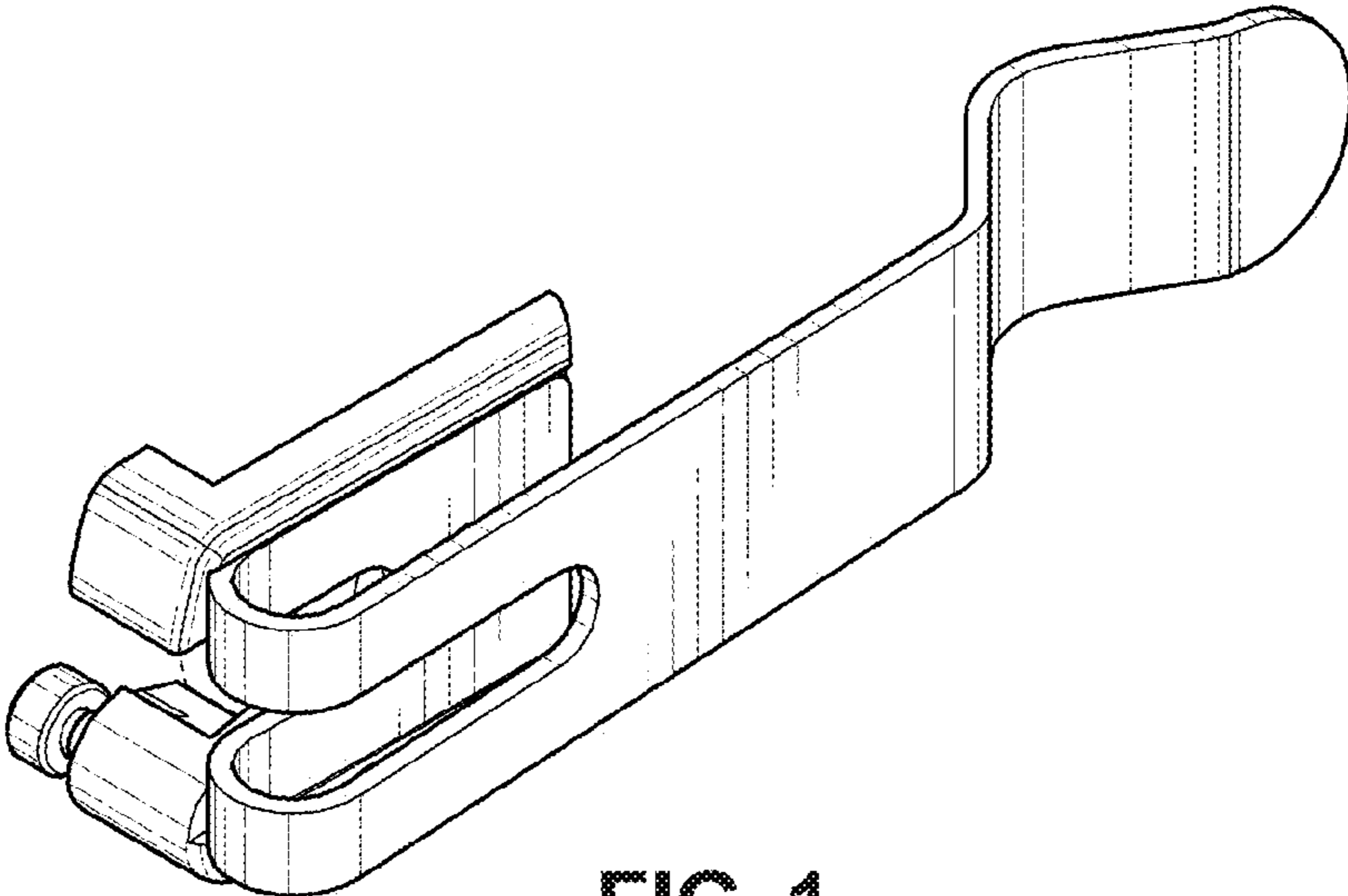


FIG. 1

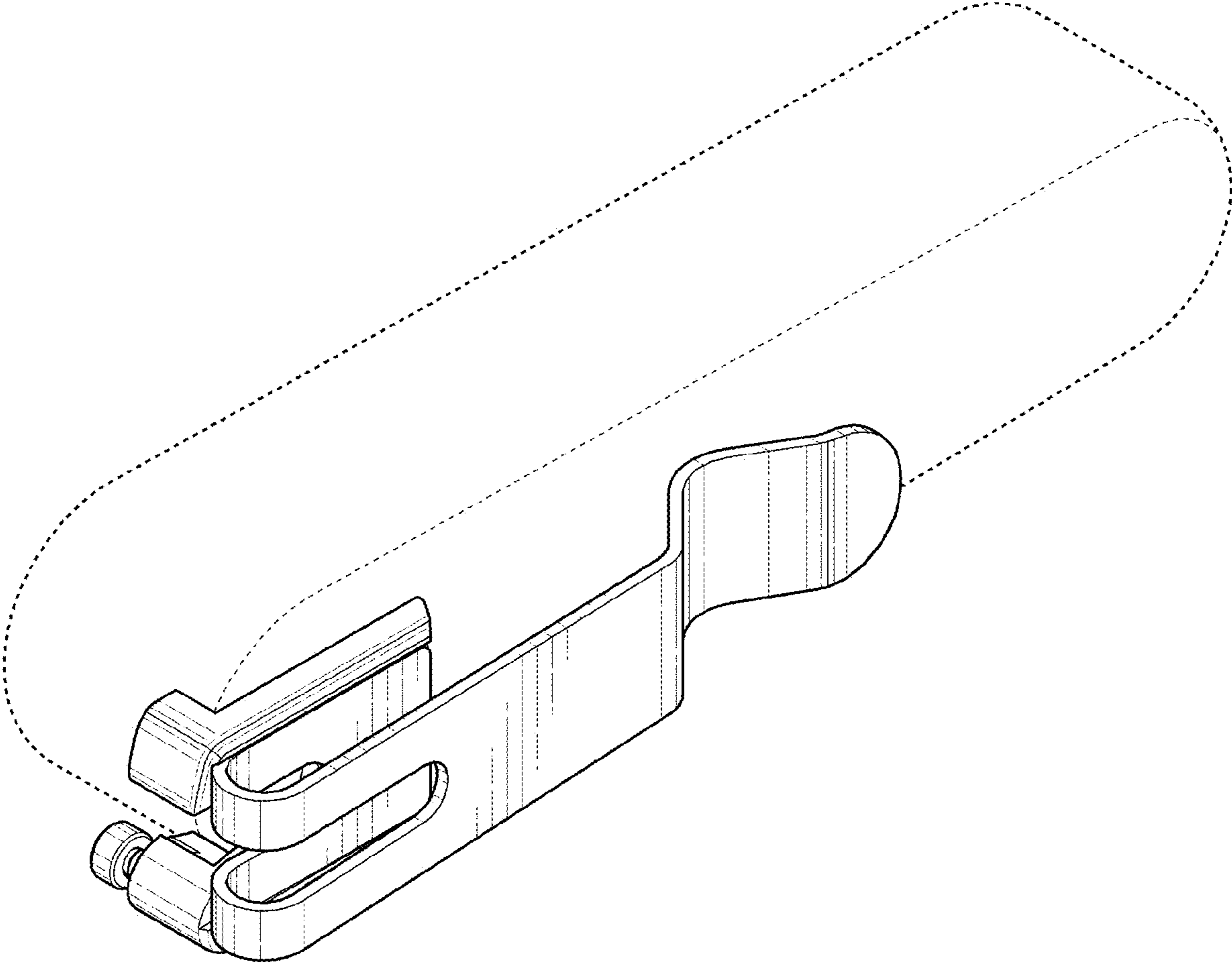
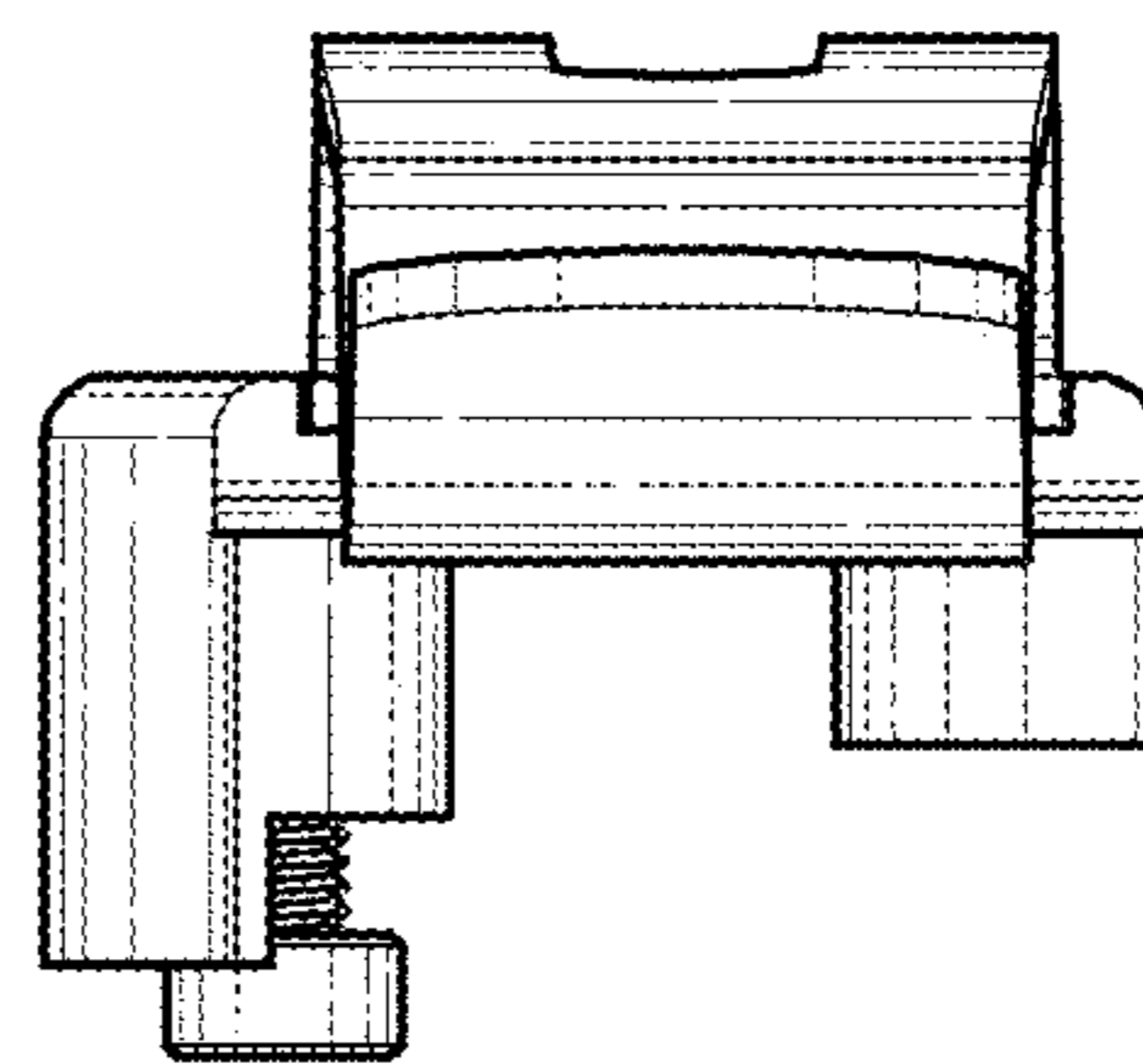
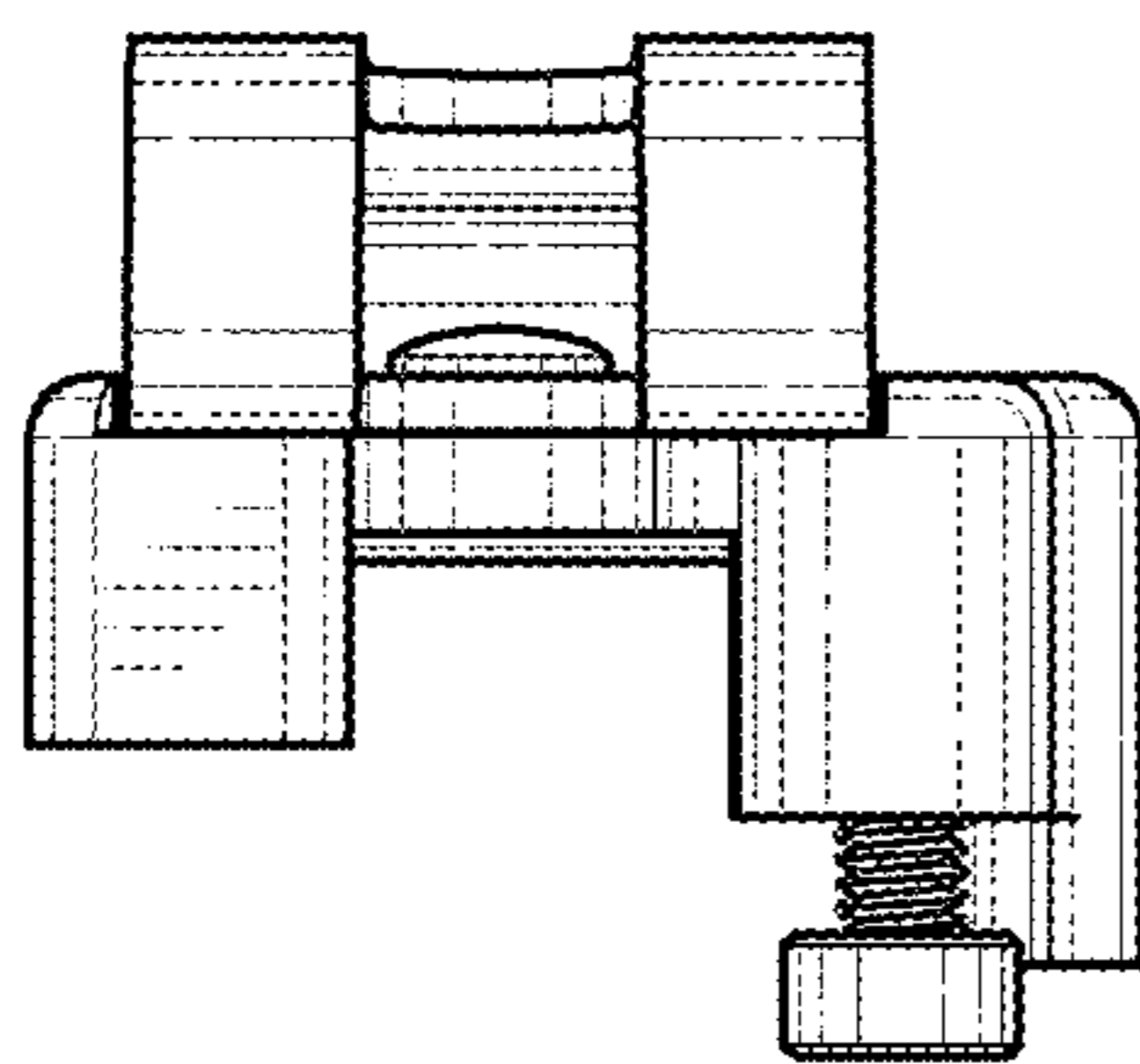
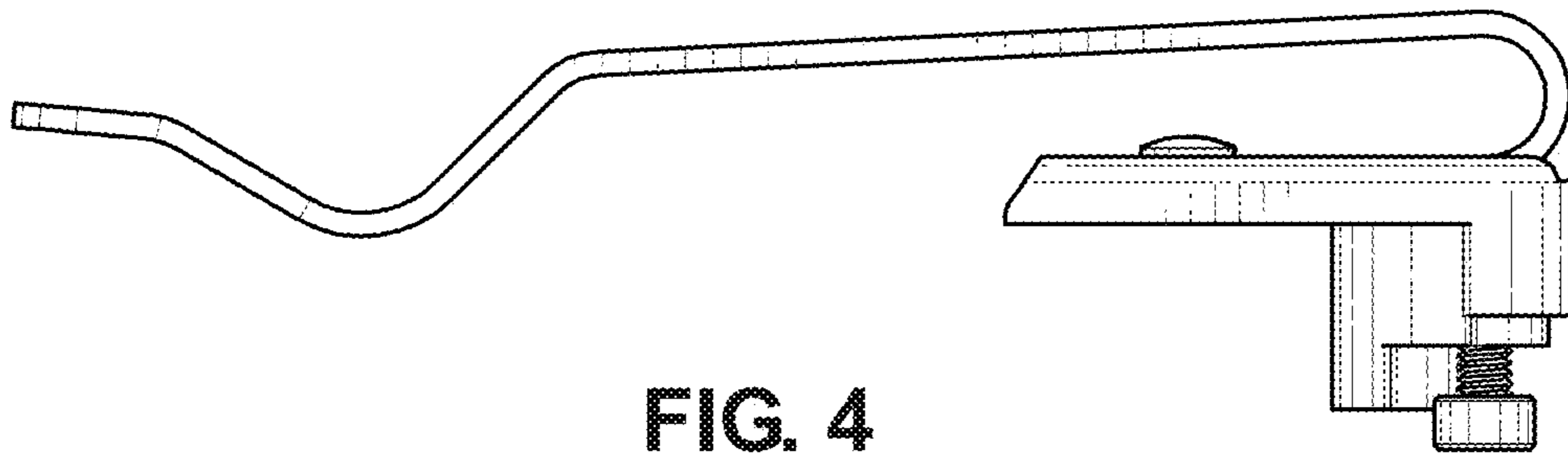
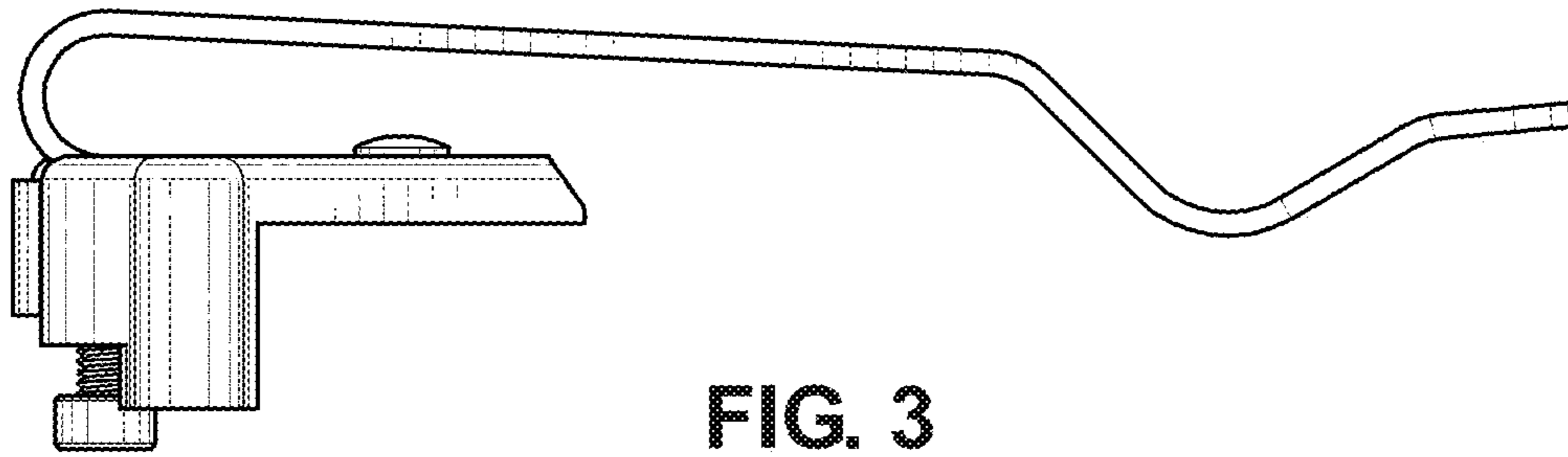


FIG. 2



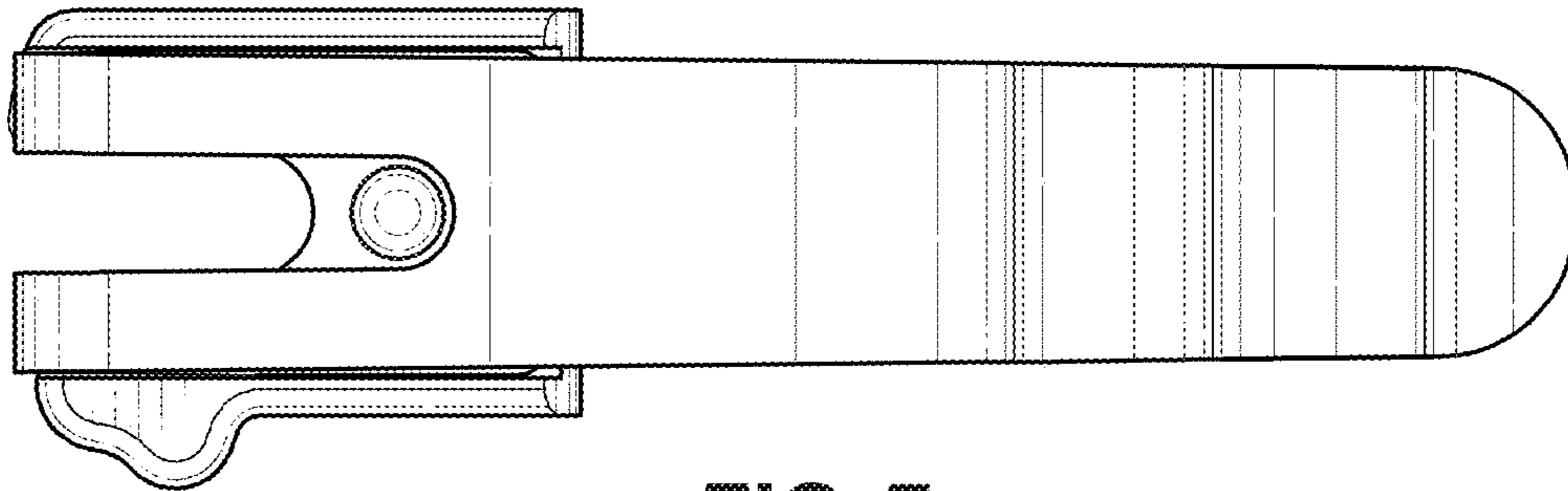


FIG. 7

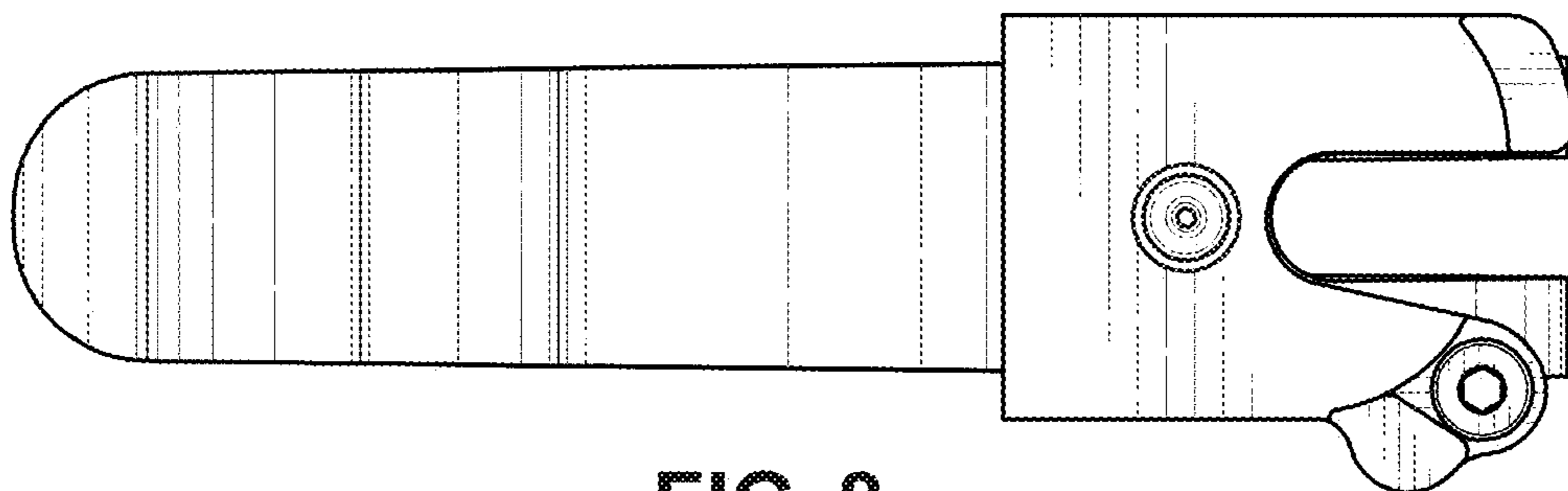


FIG. 8