



US00D891238S

(12) **United States Design Patent** (10) **Patent No.:** **US D891,238 S**
Kassin et al. (45) **Date of Patent:** **** Jul. 28, 2020**

(54) **BAG CLIP**

(71) Applicant: **Best Brands Consumer Products, Inc.**,
New York, NY (US)

(72) Inventors: **Albert Kassin**, Levittown, NY (US);
George Lai, Portland, OR (US)

(73) Assignee: **Best Brands Consumer Products, Inc.**,
Merrick, NY (US)

(**) Term: **15 Years**

(21) Appl. No.: **29/677,664**

(22) Filed: **Jan. 23, 2019**

(51) **LOC (12) Cl.** **08-08**

(52) **U.S. Cl.**
USPC **D8/395**

(58) **Field of Classification Search**
USPC D8/394–395, 71–74, 499, 354, 355, 373;
D19/65
CPC . D06F 55/00; A41B 3/08; A41F 15/02; F16B
19/1081; G09F 3/14; B42F 1/006; B42F
1/08; B42F 9/001; A47F 7/02
See application file for complete search history.

(56) **References Cited**

U.S. PATENT DOCUMENTS

D323,588 S	*	2/1992	Pelosi	D32/64
D351,519 S	*	10/1994	De Marco	D6/513
D455,339 S	*	4/2002	Tsai	D19/65
D519,360 S	*	4/2006	Naden	D8/395
D525,117 S	*	7/2006	Mariano	D8/395
D578,781 S	*	10/2008	Hansen	D6/328

D638,697 S	*	5/2011	Zemel	D8/395
D679,406 S	*	4/2013	Del Solar	D24/194
D724,937 S	*	3/2015	Zilisch	D8/395
D788,575 S	*	6/2017	Kim	D8/395

* cited by examiner

Primary Examiner — John Windmuller

(74) *Attorney, Agent, or Firm* — Goldberg Cohen LLP

(57) **CLAIM**

The ornamental design for a bag clip, as shown and described.

DESCRIPTION

FIG. 1 is a front perspective view of a bag clip according to the invention;
FIG. 2 is a front view thereof;
FIG. 3 is a rear view thereof;
FIG. 4 is a left side view thereof showing the bag clip in a closed position;
FIG. 5 is a right side view thereof showing the bag clip in a closed position;
FIG. 6 is a left side view thereof showing the bag clip in an open position;
FIG. 7 is a right side view thereof showing the bag clip in an open position;
FIG. 8 is a bottom view thereof; and,
FIG. 9 is a top view thereof.
The features shown in broken lines illustrate environment and form no part of the claimed design.

1 Claim, 3 Drawing Sheets

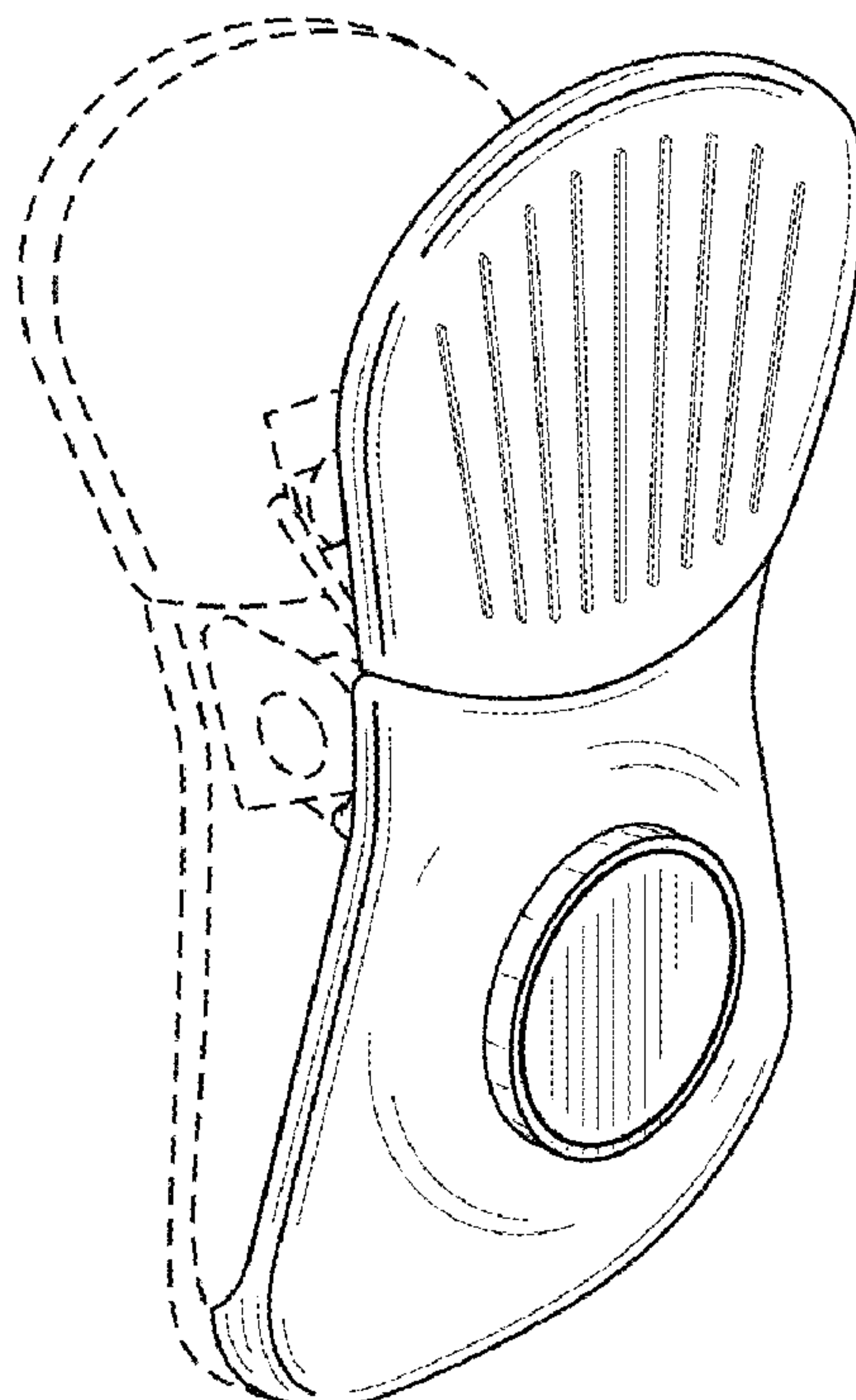


FIG. 1

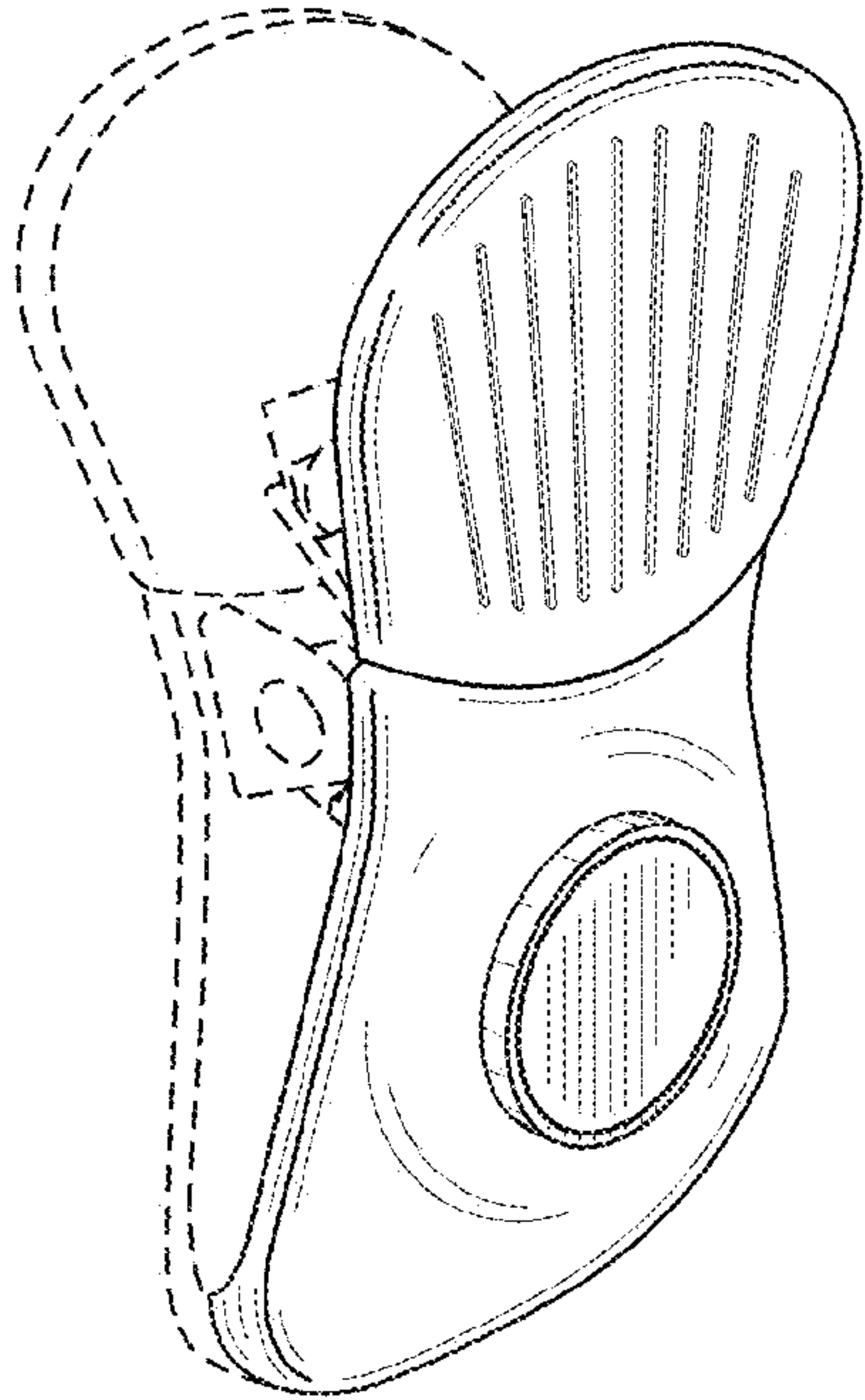


FIG. 2

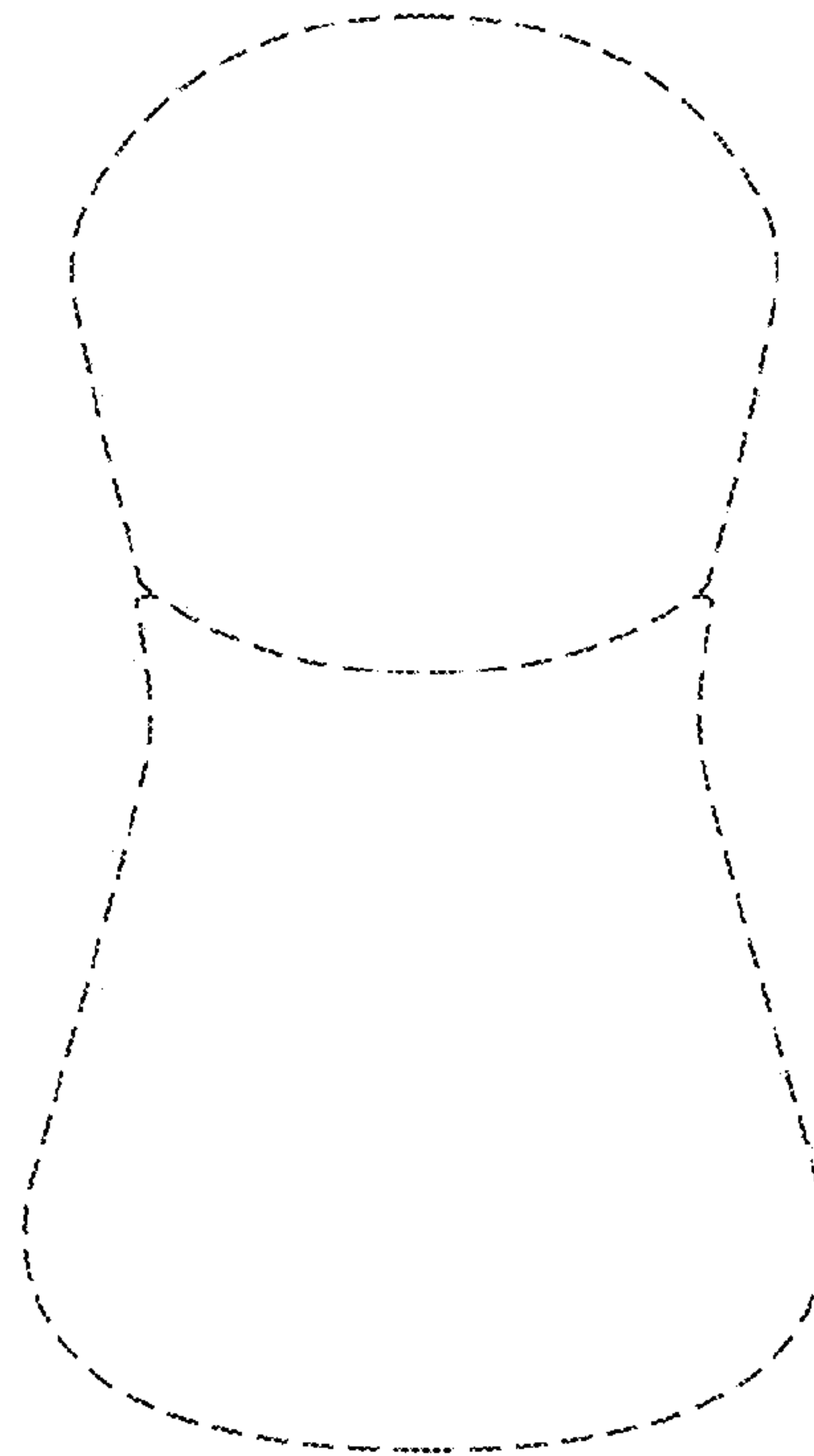


FIG. 3

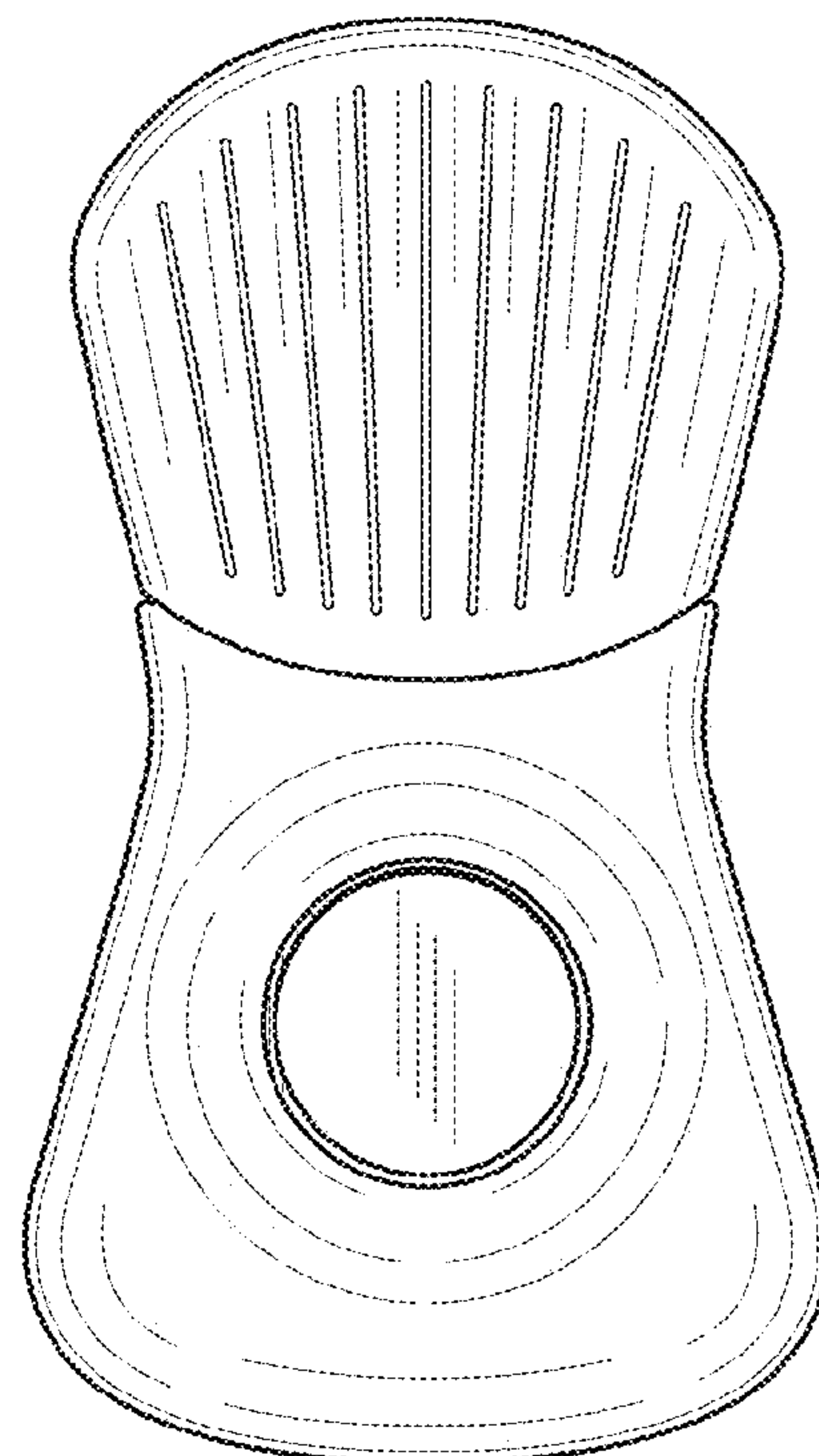


FIG. 4

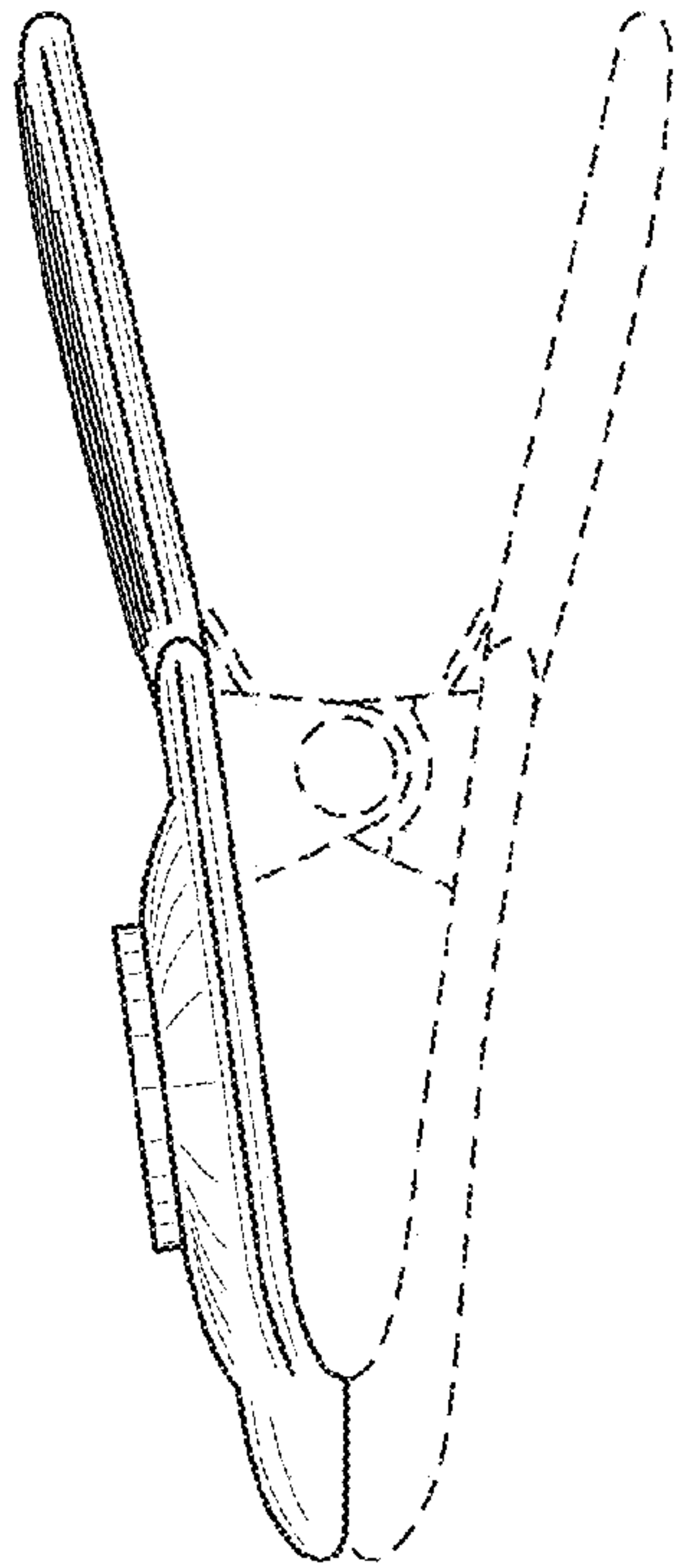


FIG. 6

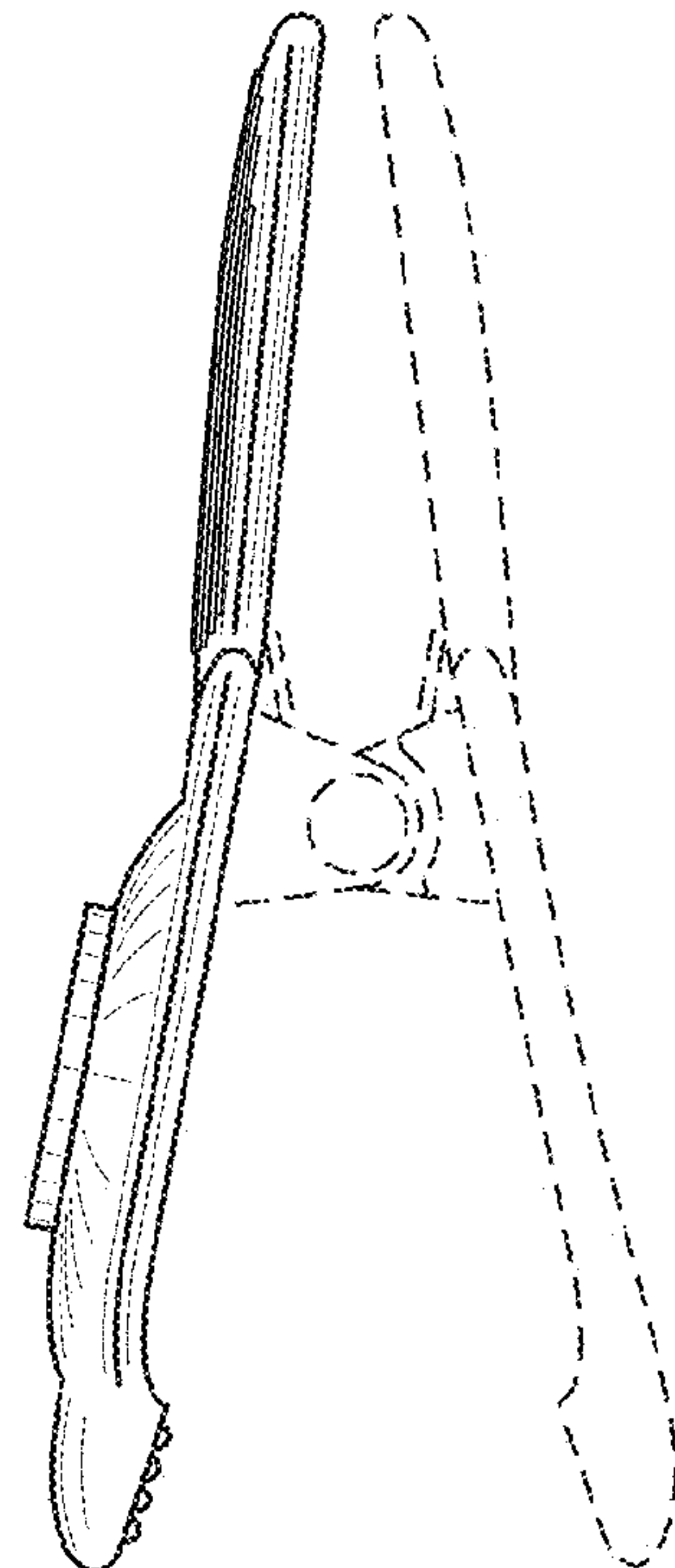


FIG. 5

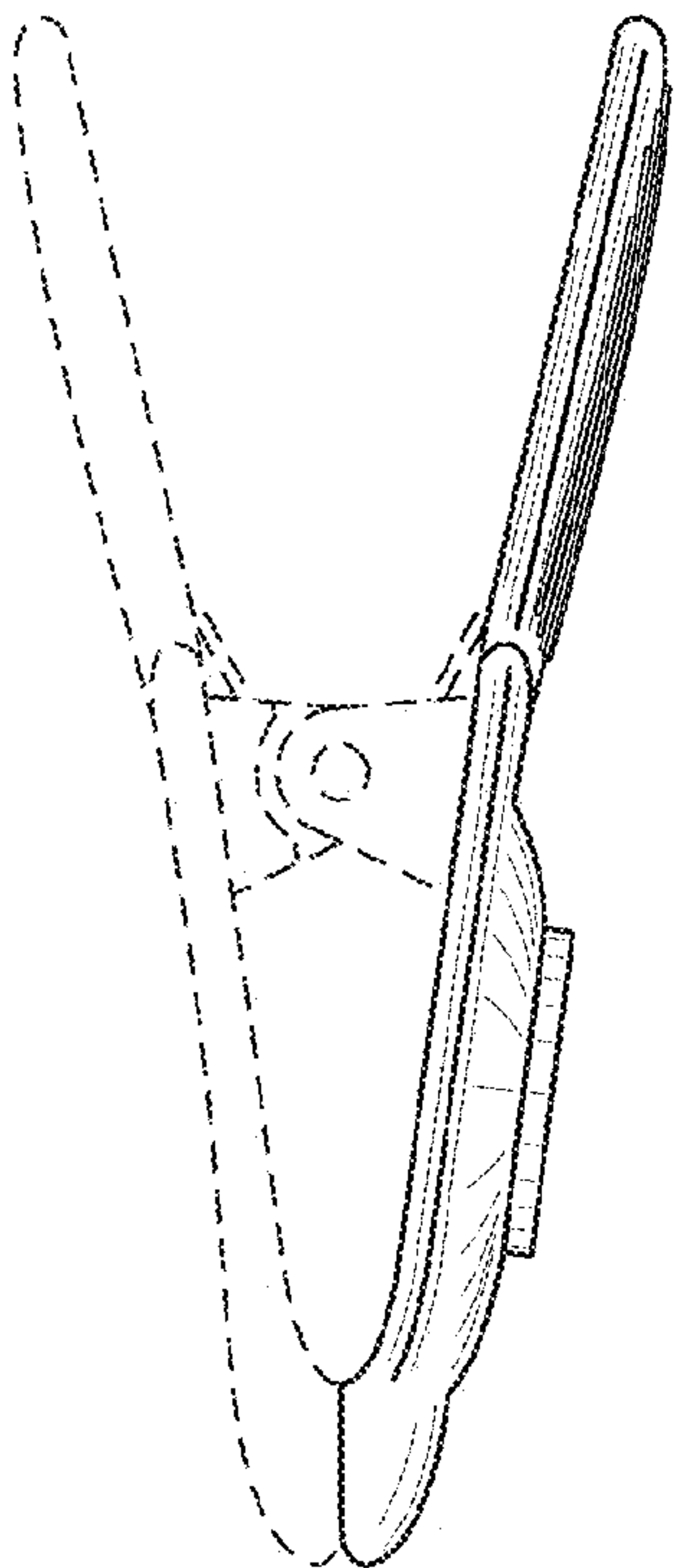


FIG. 7

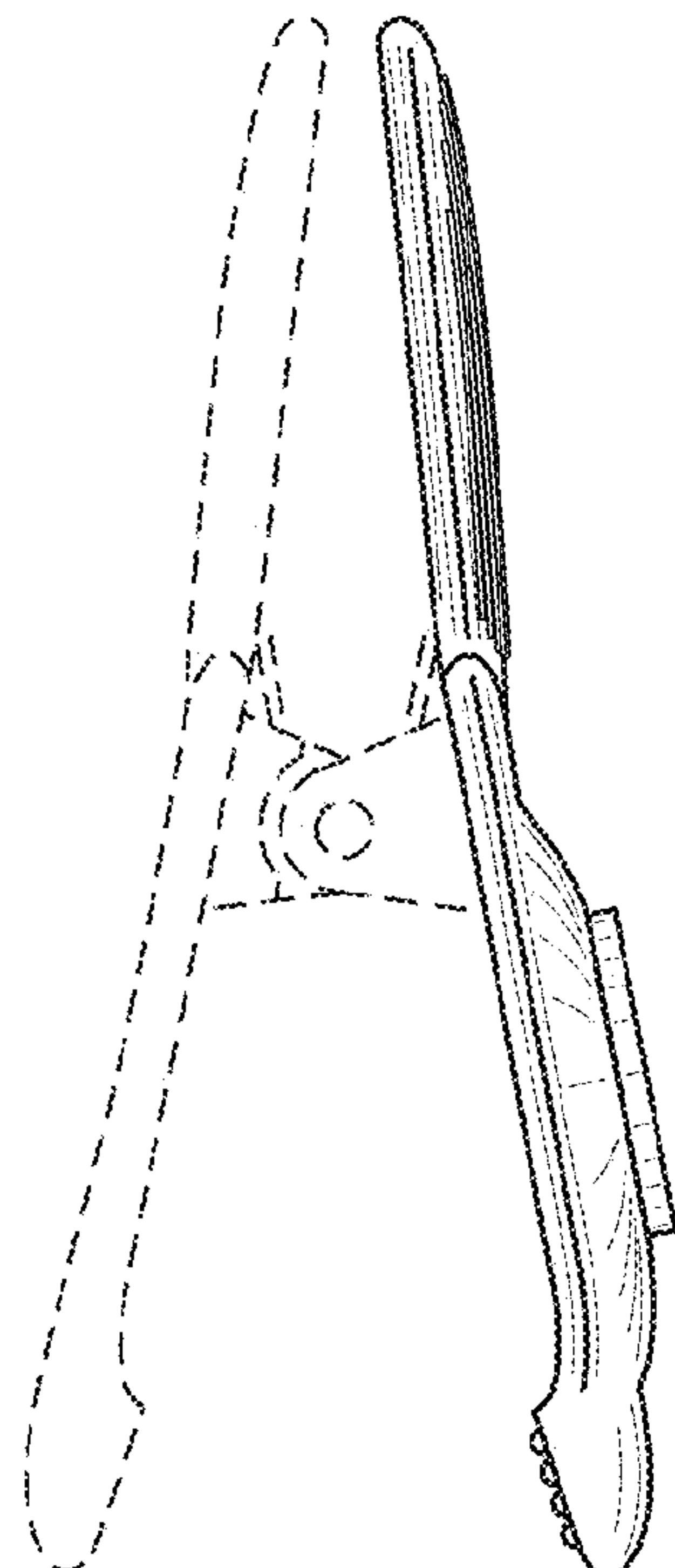


FIG. 8

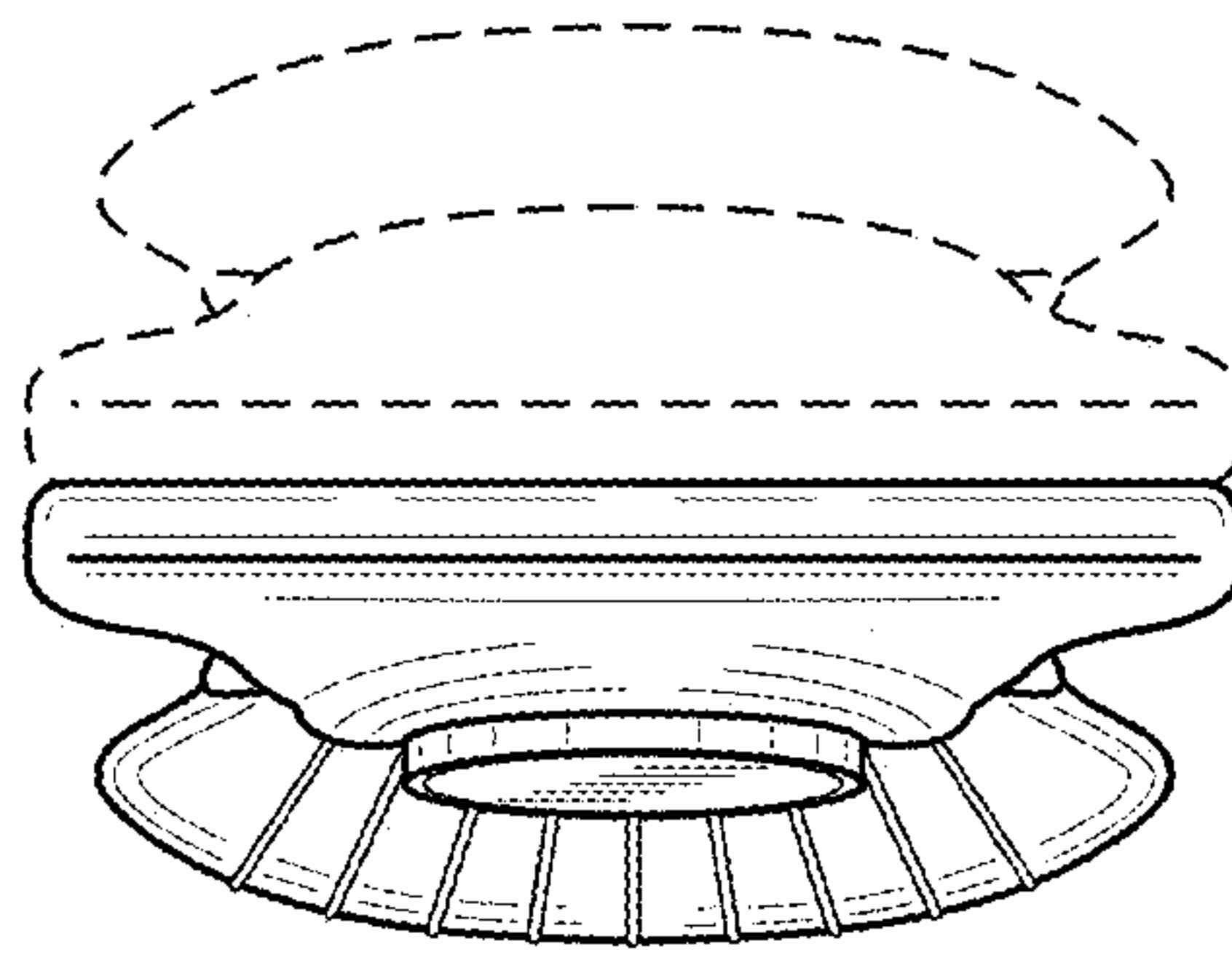


FIG. 9

